

Origination Form

Proposed Revisions to a Standard Plans Index

Originator:	Stepp, Richard; Turley, Josh	Index Number:	715-002
Date:	2/6/2024	Sheet Number(s):	All Sheets
E-mail:	Joshua.Turley@dot.state.fl.us	Index Title:	Standard Aluminum Lighting

Summary of the changes:

All Sheets: General redevelopment to use the latest CADD standards, with all details drawn to scale.

Sheet 1: Added Table of Contents

Sheet 2: Replaced High Pressure Sodium light fixture graphic with an LED light fixture; Added single-arm and pole top mounted option for Median Barrier Mounted Light Poles (in text under Elevation view label).

Sheets 3: Replaced High Pressure Sodium light fixture graphic with an LED light fixture

Sheet 4: Removed unneeded "Arm Lengths" text from the Top Mount Pole Table.

Sheet 5: Added "Type II Concrete" label to Section A-A Spread Footing.

Sheet 6: Updated anchor bolt labels in Detail A; Updated Note 2 language and corrected which nut may be half height.

Commentary/Background:

Sheet 6: There is an associated Spec change being drafted for Section 649 that pertains to process for tightening the anchor bolts. These changes make it so that the language aligns between the Spec and the Standard

Other Affected Documents/Offices	Person Contacted	Affected (Yes/No)
Other Standard Plans		No
FDOT Design Manual		No
Standard Specifications	Daniel Strickland	Yes
Basis of Estimates Manual		No
Approved Product List		No
Construction Office		No
Maintenance Office		No

Implementation

["FY-Standard Plans (Next Release)"]

ADDED TABLE OF CONTENTS

GENERAL NOTES:

1. Poles are designed to support the following:
 - A. Luminaire Effective Projected Area (EPA): 1.55 SF
 - B. Weight: 75 lb.
2. Shop Drawings: This Index is considered fully detailed, only submit shop drawings for minor modifications not included in the Plans.
3. Materials:
 - A. Pole, Pole Connection Extrusions and Arm Extrusions: ASTM B221, Alloy 6063-T6 or Alloy 6061-T6
 - B. Bars, Plates, Stiffeners and Backer Ring: ASTM B221, Alloy 6063-T6
 - C. Caps and Covers: ASTM B-26, Alloy 319-F
 - D. Steel Bearing Plate: ASTM A709 or ASTM A36 Grade 36
 - E. Aluminum Weld Material: ER 4043
 - F. Transformer and Frangible Base Materials: ASTM B26 or ASTM B108, Alloy 356-T6
 - G. Bolts, Nuts and Washers:
 - a. Shoe Base Bolts: ASTM F3125, Grade A325, Type 1
 - b. Nuts: ASTM A563 Grade DH Heavy-Hex
 - c. Washer: ASTM F436 Type 1
 - H. Anchor Bolts, Nuts, and Washers:
 - a. Anchor Bolts: ASTM F1554 Grade 55
 - b. Nuts: ASTM A563 Grade A Heavy-Hex
 - c. Plate Washer: ASTM A36
 - I. Stainless Steel Fasteners: ASTM F593 Alloy Group 2, Condition A, CW1 or SH1
 - J. Nut Covers: ASTM B26 (319-F)
 - K. Concrete: Class II
 - L. Reinforcing Steel: Specification 415
4. Fabrication:
 - A. Weld Arm and Pole (Alloy 6063) in the T4 temper using 4043 filler. Age the Arm and Pole artificially to the T6 temper after welding.
 - B. Transverse welds are only allowed at the base.
 - C. Roadway Light Pole Taper: Taper as required to provide a round top O.D. of 6" and a base O.D. of 8" for 20' and 25' mounting heights and 10" O.D. for poles with 30' to 50' mounting heights. Portions of the pole near the base shoe and at the arm connections may be held constant to simplify fabrication.
 - D. Median Barrier Mounted Light Pole Taper: Taper as required to provide a 6" O.D. round top with an 11" x 7" O.D. oblong base. Portions of the pole near the base and at the arm connections may be held constant at 11" x 7" oblong and 6" round respectively to simplify fabrication.
 - E. Provide 'J', 'S' or 'C' hook at top of pole for electrical wires.
 - F. Equip poles located on bridges, walls and concrete median barriers/Traffic Railings with a vibration damper.
 - G. Perform all welding in accordance with AWS D1.2.
 - H. Embedded Junction Box (EJB):
 - a. Weld all seams continuously and grind smooth.
 - b. Hot Dip Galvanize after Fabrication.
 - c. Provide a watertight cover with neoprene gasket and secure cover with galvanized screws.
 - I. For Median Barrier Mounted Aluminum Light Poles, the fabricator must demonstrate the ability to produce a crack free pole. The fabricator's Department-approved QC Plan must contain the following information prior to fabrication:
 - a. Tests demonstrating a pole with a 1/4" wall thickness achieves and ultimate moment capacity of 36 kip*ft in the strong axis and 30 kip*ft in the weak axis.
 - b. Tests demonstrating a pole with a 15/16" wall thickness achieves an ultimate moment capacity of 44 kip*ft in the strong axis and 37 kip*ft in the weak axis.
 - c. Test results showing the pole does not buckle at the shape transition area under the ultimate moment capacity loads.
 - d. Complete details and calculations for the reinforced 4"x 6" (Min.) handhole located 1'-6" above the base plate.
 - J. Identification Tag: (Submit details for approval.)
 - a. 2" x 4" (Max.) aluminum identification tag.
 - b. Locate on the inside of the transformer base and visible from the door opening.
 - c. Secure to transformer base with 1/8" diameter stainless steel rivets or screws.
 - d. Include the following information on the ID Tag:
 1. Financial Project ID
 2. Pole Height
 3. Manufacturer's Name

5. Coatings/Finish:
 - A. Pole and Arm Finish: 50 grit satin rubbed.
 - B. Galvanize Steel Bolts, Screws, Nuts and Washers: ASTM F2329
 - C. Hot Dip Galvanize EJB and other steel items including poles and plate washers: ASTM A123
6. Construction:
 - A. Foundation: Specification 455, except payment for the foundation is included in the cost of the pole.
 - B. Frangible Base, Base Shoe, and Clamp:
 - a. Certify that the Clamp, Frangible Transformer Base, and Base Shoe Design are capable of providing the required capacity.
 - b. Certify the Base conforms to the current FHWA required AASHTO Frangibility Requirements, tested under NCHRP Report 350 Guidelines (e.g. Akron Foundry TB1-17).
 - c. Do not erect pole without Luminaire attached.
7. Embedded Junction Box (EJB): Install EJBs per Note 4 and in accordance with Specification 635, as shown on the following Sheets.
8. Wind Speed by County:


120 MPH
Alachua, Baker, Bradford, Calhoun, Clay, Columbia, Dixie, Duval, Gadsden, Gilchrist, Hamilton, Jackson, Jefferson, Lafayette, Leon, Liberty, Nassau, Madison, Putnam, Suwannee, Taylor, Union and Wakulla Counties.

140 MPH
Bay, Citrus, De Soto, Flagler, Franklin, Glades, Gulf, Hardee, Hendry, Hernando, Highlands, Hillsborough, Holmes, Lake, Levy, Manatee, Marion, Okaloosa, Okeechobee, Orange, Osceola, Pasco, Pinellas, Polk, Santa Rosa, Seminole, St. Johns, Sumter, Volusia, Walton and Washington Counties.

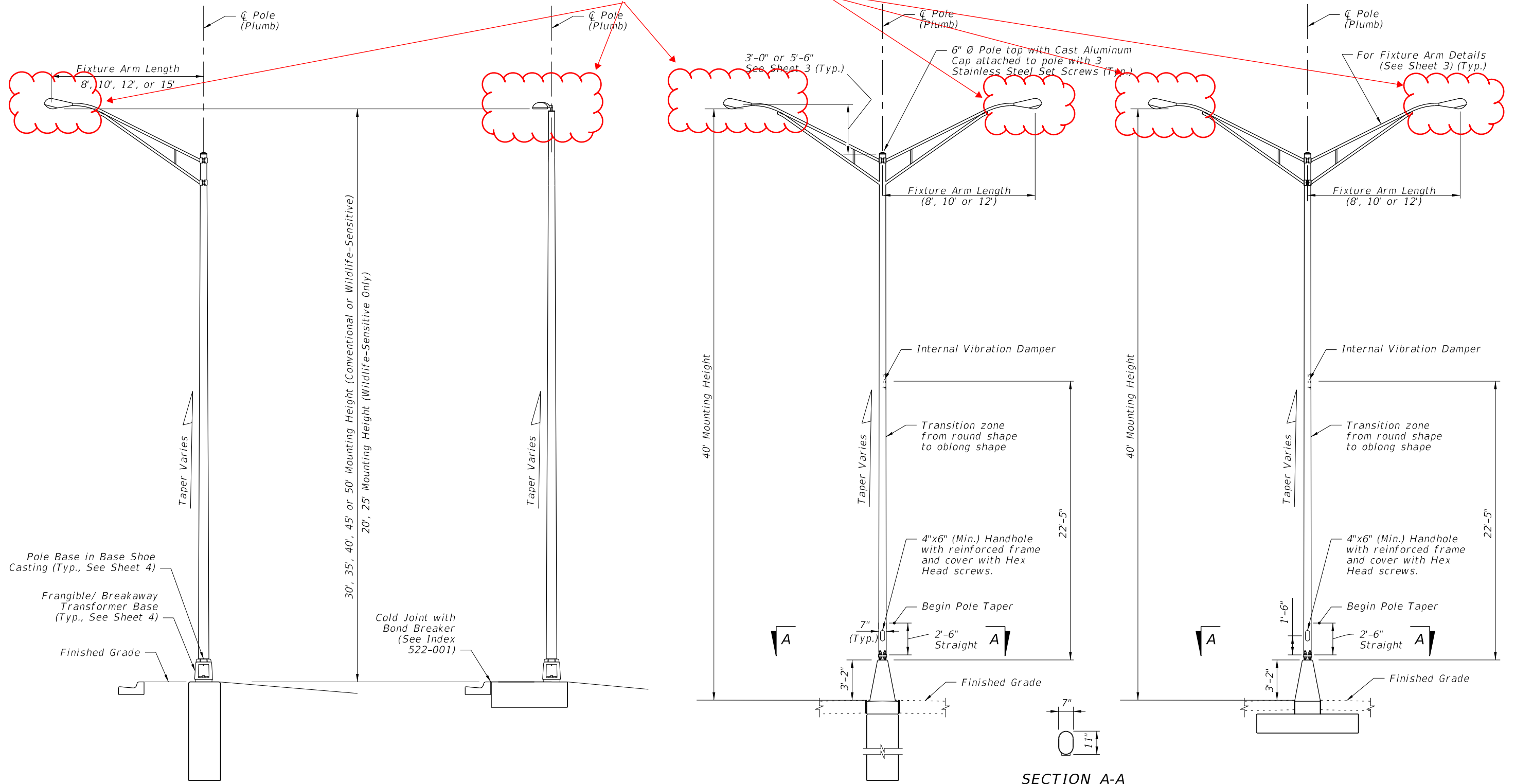
160 MPH
Brevard, Broward, Charlotte, Collier, Escambia, Indian River, Lee, Martin, Miami-Dade, Monroe, Palm Beach, Sarasota and St. Lucie Counties.

2025-26

10/4/2023 6:52:02 AM

LAST REVISION	REVISION	DESCRIPTION:		FY 2024-25 STANDARD PLANS	STANDARD ALUMINUM LIGHTING	INDEX	SHEET
11/01/22 11/01/24						715-002	1 of 9

UPDATED to LED fixtures



STANDARD ROADWAY ALUMINUM LIGHT POLE W/ARM (Shaft Foundation Option Shown, Spread Footing Option Similar)

STANDARD ROADWAY ALUMINUM LIGHT POLE W/TOP MOUNT (Spread Footing Option Shown, Shaft Foundation Option Similar)

MEDIAN BARRIER MOUNTED ALUMINUM LIGHT POLE ON CYLINDRICAL FOUNDATION (Double-Arm Shown, Single-Arm and Top Mount Similar)

MEDIAN BARRIER MOUNTED ALUMINUM LIGHT POLE ON SPREAD FOOTING FOUNDATION (Double-Arm Shown, Single-Arm and Top Mount Similar)

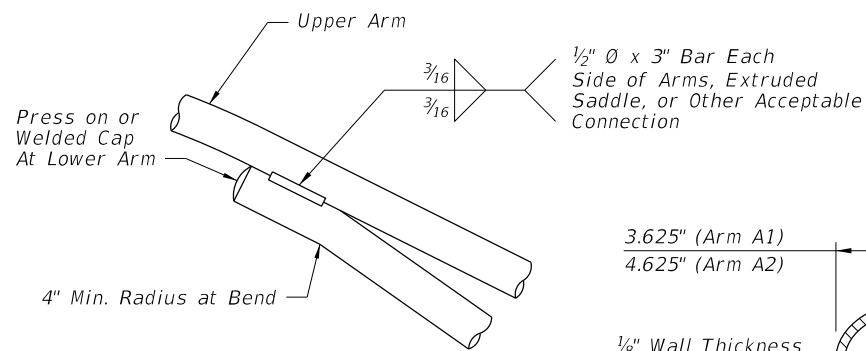
SECTION A-A

ELEVATIONS

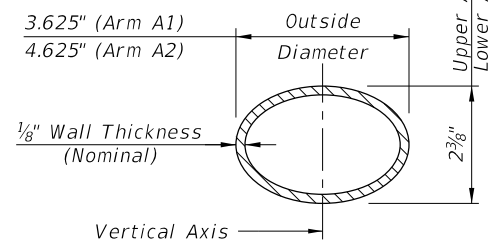
10/4/2023 6:52:09 AM

<p>LAST REVISION: 11/01/22</p> <p>REVISION: 11/01/24</p>		<p>DESCRIPTION:</p>		<p>2025-26</p> <p>FY 2024-25</p> <p>STANDARD PLANS</p>		<p>STANDARD ALUMINUM LIGHTING</p>		<p>INDEX</p> <p>715-002</p>	<p>SHEET</p> <p>2 of 9</p>
--	--	---------------------	--	---	--	-----------------------------------	--	-----------------------------	----------------------------

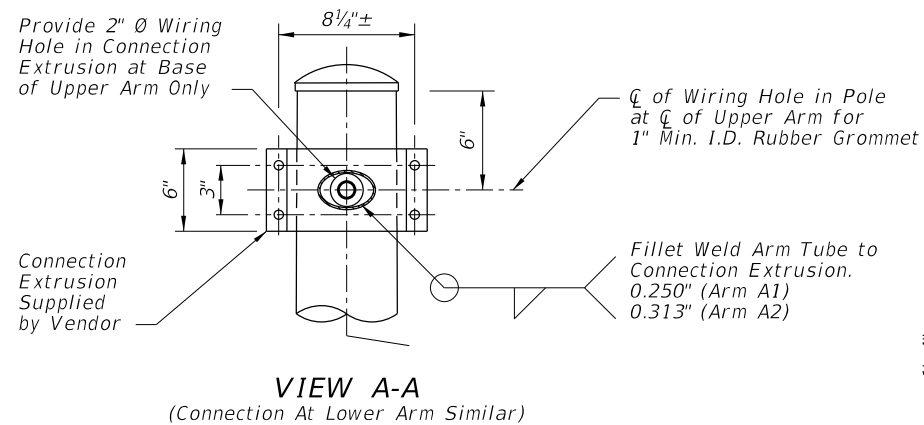




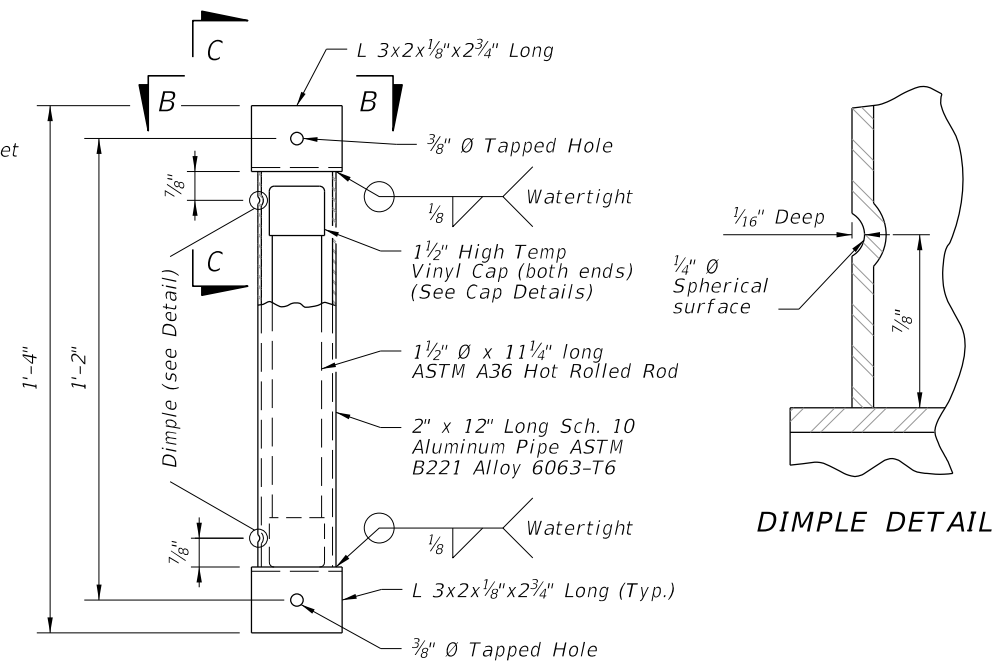
ARM CONNECTION DETAIL



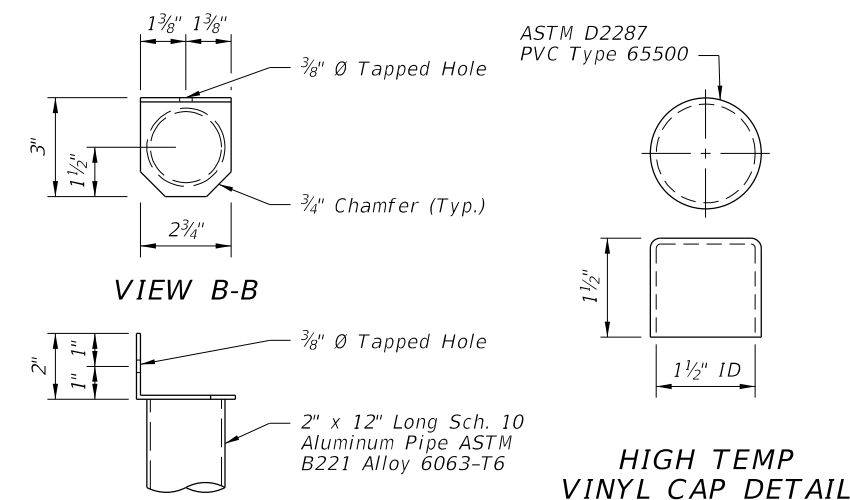
ARM SECTION



VIEW A-A
(Connection At Lower Arm Similar)



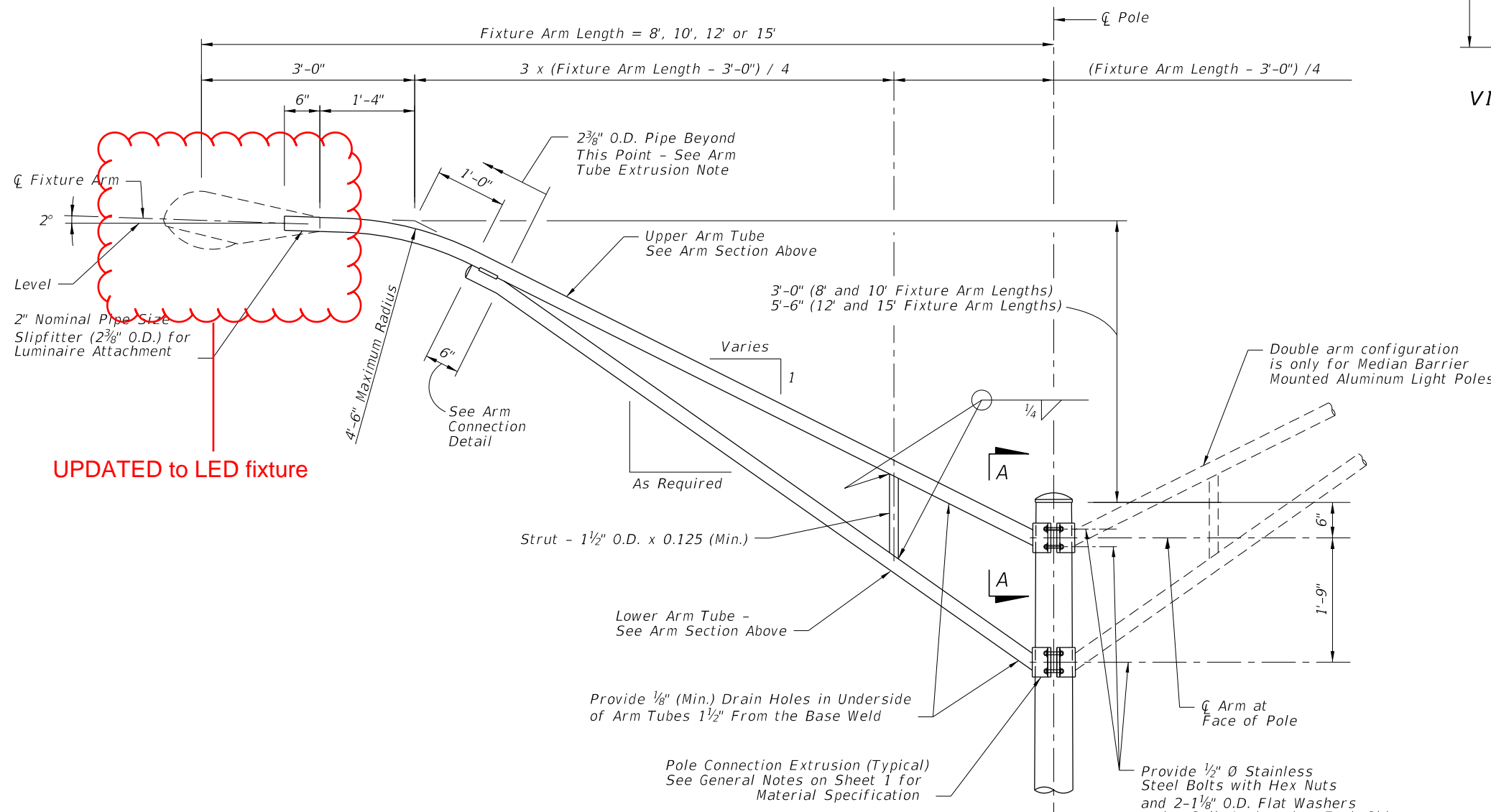
VIBRATION DAMPER ELEVATION



VIEW B-B

VIEW C-C

HIGH TEMP VINYL CAP DETAIL



ARM ELEVATION

ARM TUBE EXTRUSIONS NOTES:

At the pole connections, provide arm tube extrusions with dimensions as shown. Uniformly transition elliptical section to a cylindrical section at the arm connection.

The fabricator may substitute elliptical cross sections other than those tabulated, provided the section properties about the vertical axis and the area of the section equal or exceed that of the required section, and provide minimum wall thickness of 1/8 inch nominal and within the Aluminum Association Tolerances.

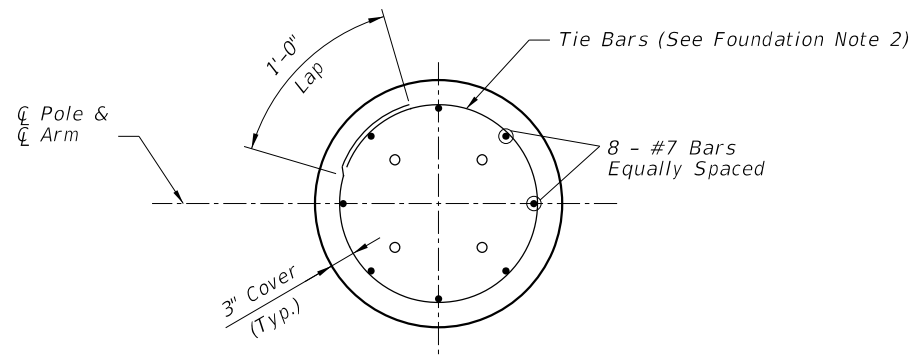
The outside diameter about the minor axis should be held at 2 3/8 inch at the upper and lower arms.

10/4/2023 6:52:15 AM

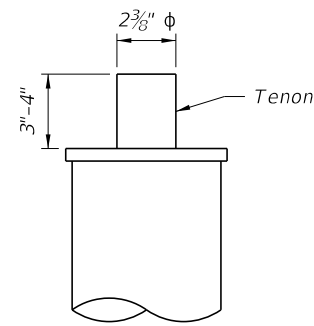
LAST REVISION 11/01/22 11/01/24	REVISION	DESCRIPTION:	2025-26 FY 2024-25 STANDARD PLANS	STANDARD ALUMINUM LIGHTING	INDEX 715-002	SHEET 3 of 9
--	----------	--------------	---	----------------------------	------------------	-----------------

ARM & DAMPER DETAILS

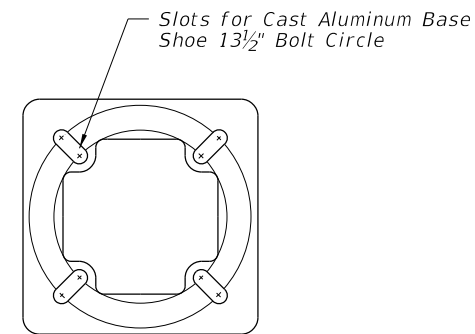




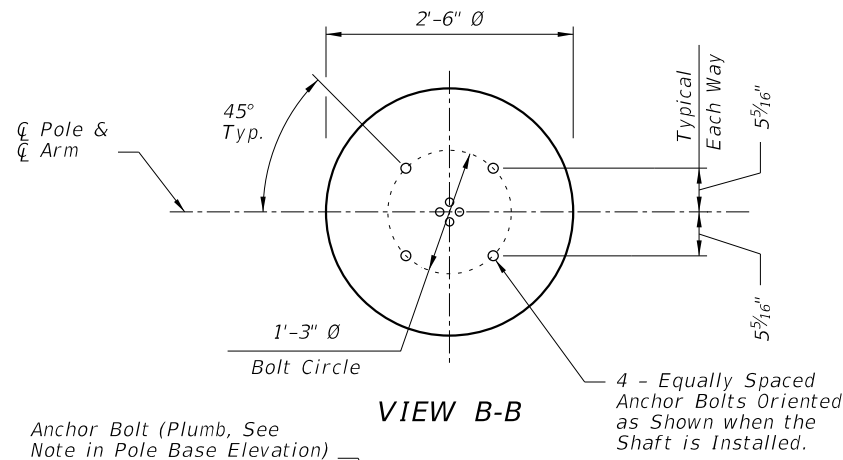
SECTION C-C



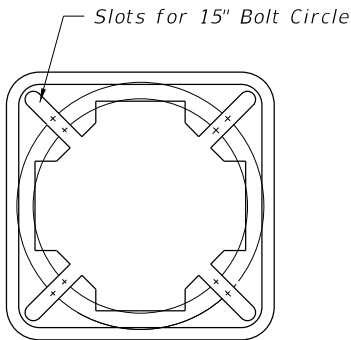
TOP MOUNT TENON



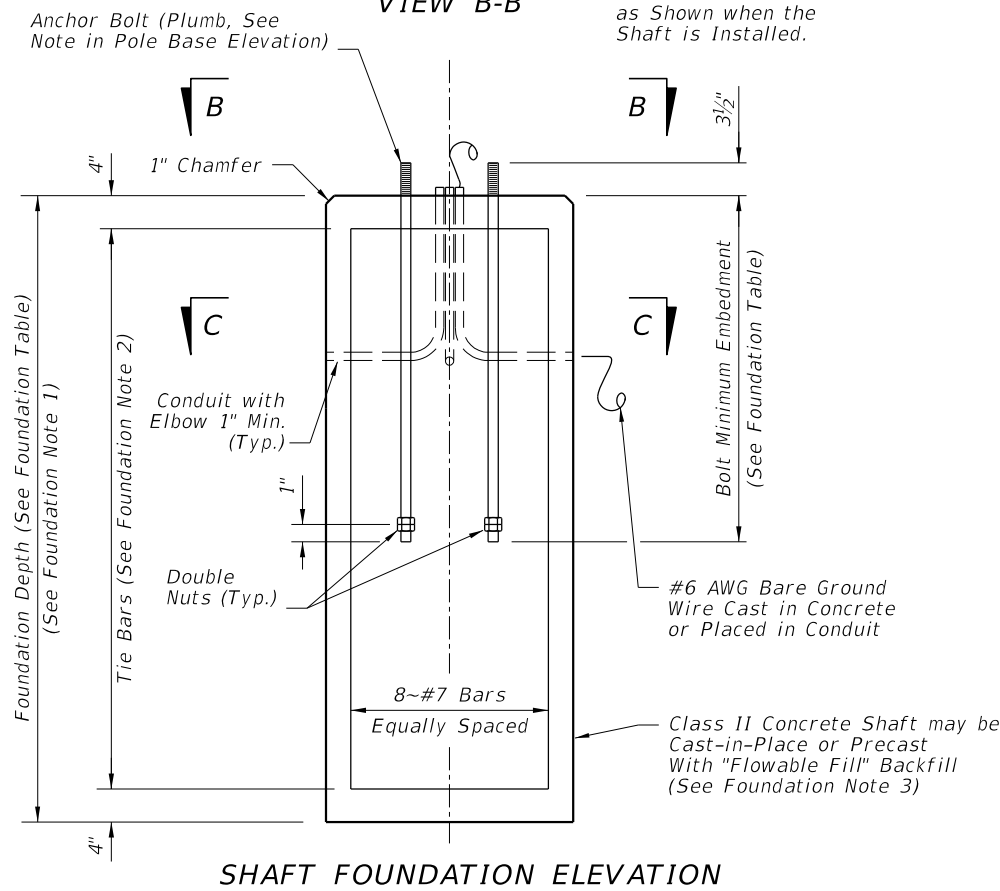
TOP VIEW TRANSFORMER BASE



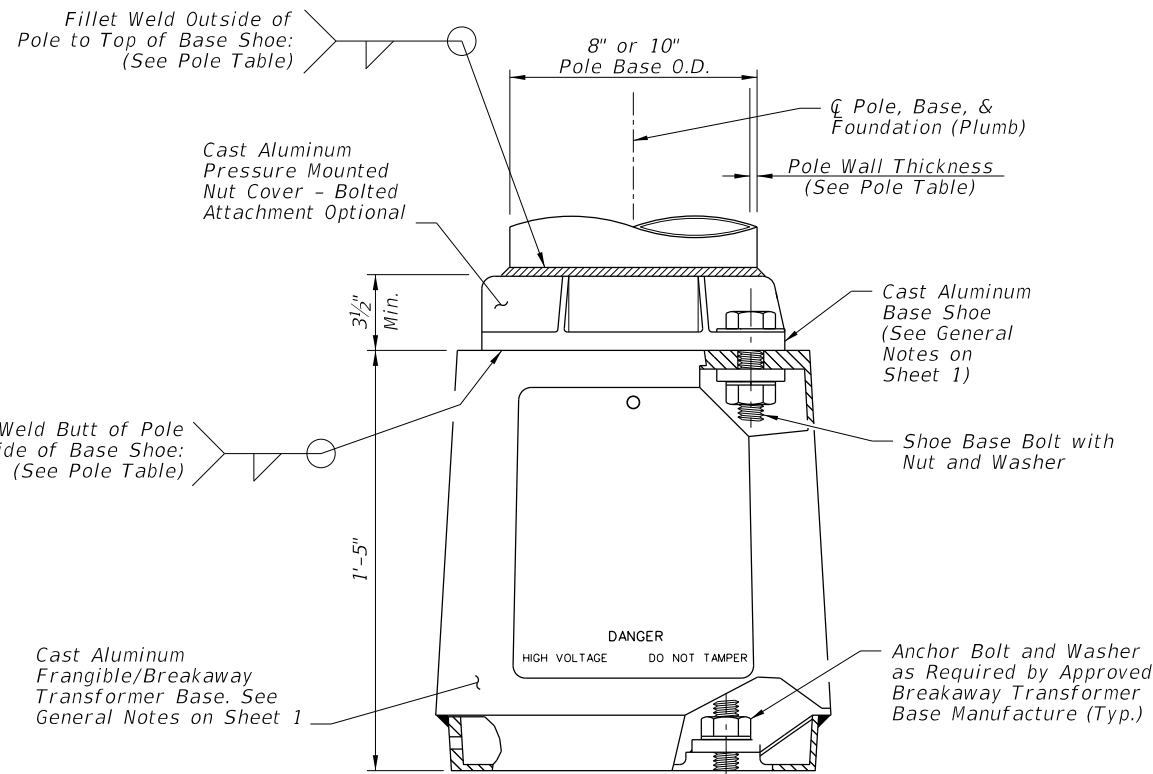
VIEW B-B



BOTTOM VIEW TRANSFORMER BASE



SHAFT FOUNDATION ELEVATION



POLE BASE ELEVATION

ARM-POLE TABLE					
FOR STANDARD ALUMINUM LIGHT POLES WITH ARM					
Mounting Height (Ft.)	Wind Speed and Arm Lengths (Ft.)				
	120 mph 8, 10, 12, 15	140 mph 8, 10, 12	160 mph 15	8, 10	12, 15
30	A1-P1	A1-P1	A2-P1	A1-P1	A2-P1
35				A1-P2	A2-P2
40				A1-P3	A2-P3
45					
50					

ARM POLE NOTES:

1. See ARM SECTION detail on Sheet 3 for all A1 and A2 Values.
2. See Pole Table for all P1, P2, and P3 values.
3. For Median Barrier Mounted Pole, Use Arm A1.
4. For 20' and 25' assembly heights use only 8' or 10' arm A1 with P0.

POLE TABLE			
Pole	Pole Wall Thickness	Top of Base Shoe Weld	Inside of Base Shoe Weld
P0	0.156	3/16"	5/32"
P1	0.156	3/16"	5/32"
P2	0.250	1/4"	1/4"
P3	0.313	5/16"	5/16"

POLE NOTES:

1. Pole wall thicknesses shown are nominal and must be within the Aluminum Association tolerances.
2. Thicker walls are permitted and tapered walls may be used in accordance with the minimum Aluminum Association thicknesses.

TOP MOUNT POLE TABLE			
FOR STANDARD ALUMINUM LIGHT POLES WITH TOP MOUNT			
Mounting Height (Ft.)	Wind Speed and Arm Lengths (Ft.)		
	120 mph	140 mph	160 mph
20	Pole P0	Pole P0	Pole P0
25			
30	Pole P1	Pole P1	Pole P1
35			
40			
45	Pole P2	Pole P2	Pole P2
50			

SHAFT FOUNDATION TABLE				
Pole	P0	P1	P2	P3
Depth	6'-0"	7'-0"	8'-0"	8'-0"
Bolt Min. Embedment	2'-6"	3'-6"	3'-6"	3'-6"

SHAFT FOUNDATION OPTION WITH LIGHT POLE & BASE DETAILS

SHAFT FOUNDATION NOTES:

1. Depths shown are for slopes equal to or flatter than 1:4. For slope steeper than 1:4 and equal to or flatter than 1:2 add 2'-6" to foundation depths shown.
2. Foundation Tie Bars: #4 Tie Bars @ 12" centers (max.) or D10 (or W10) spiral @ 6" pitch, 3 flat turns top and 1 flat turn bottom.
3. For precast foundations, the circular cross section shown herein may be substituted with an octagon shape. The out-to-out distance between parallel edges of the octagon must be \geq 2'-6". Use the same reinforcing diameter and centered placement with a minimum 3" cover.

2025-26

10/4/2023 6:52:22 AM

LAST REVISION	DESCRIPTION:
11/01/23	
11/01/24	

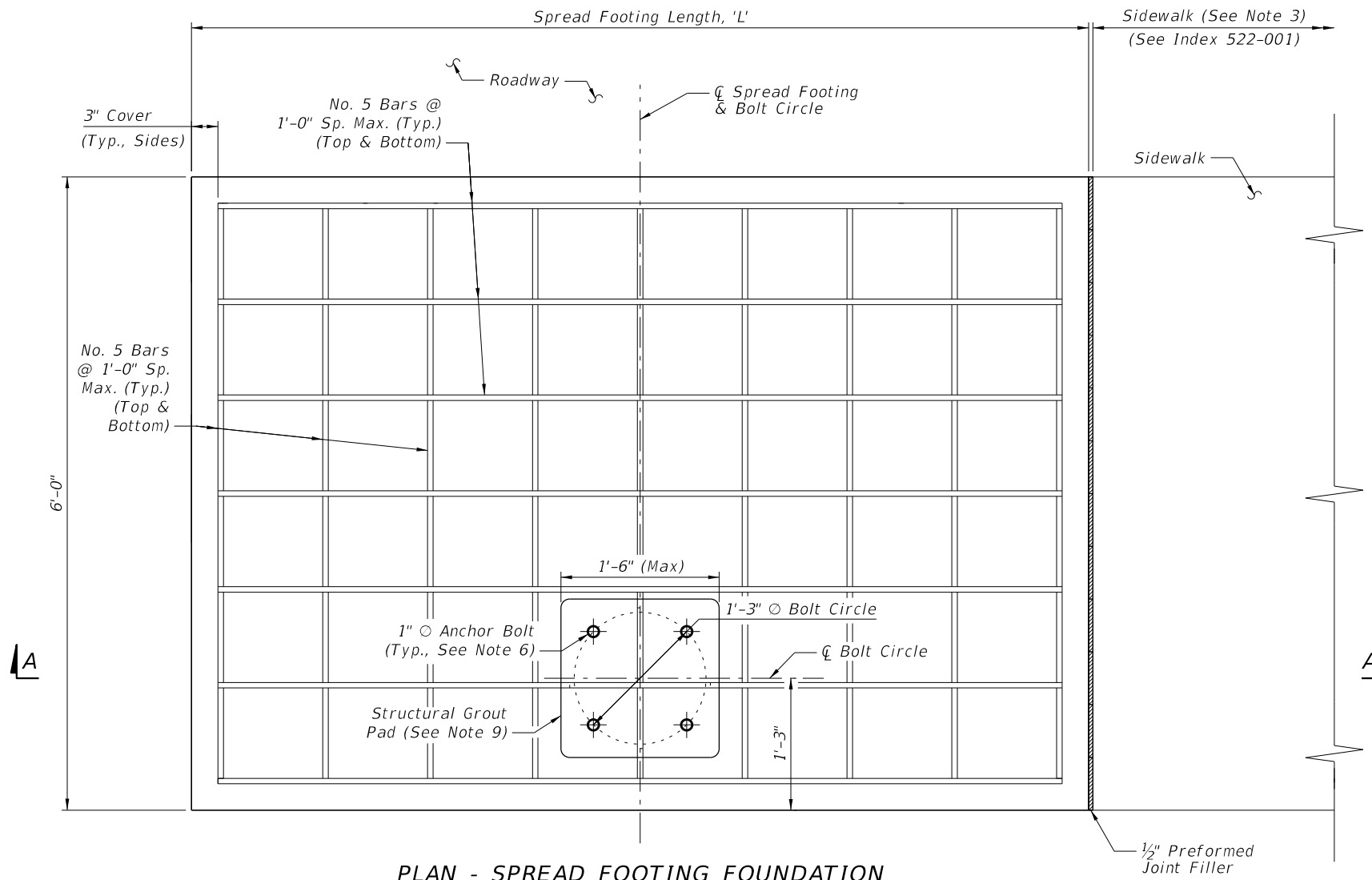


FY 2024-25
STANDARD PLANS

STANDARD ALUMINUM LIGHTING

INDEX SHEET
715-002 4 of 9

10/4/2023 6:52:28 AM

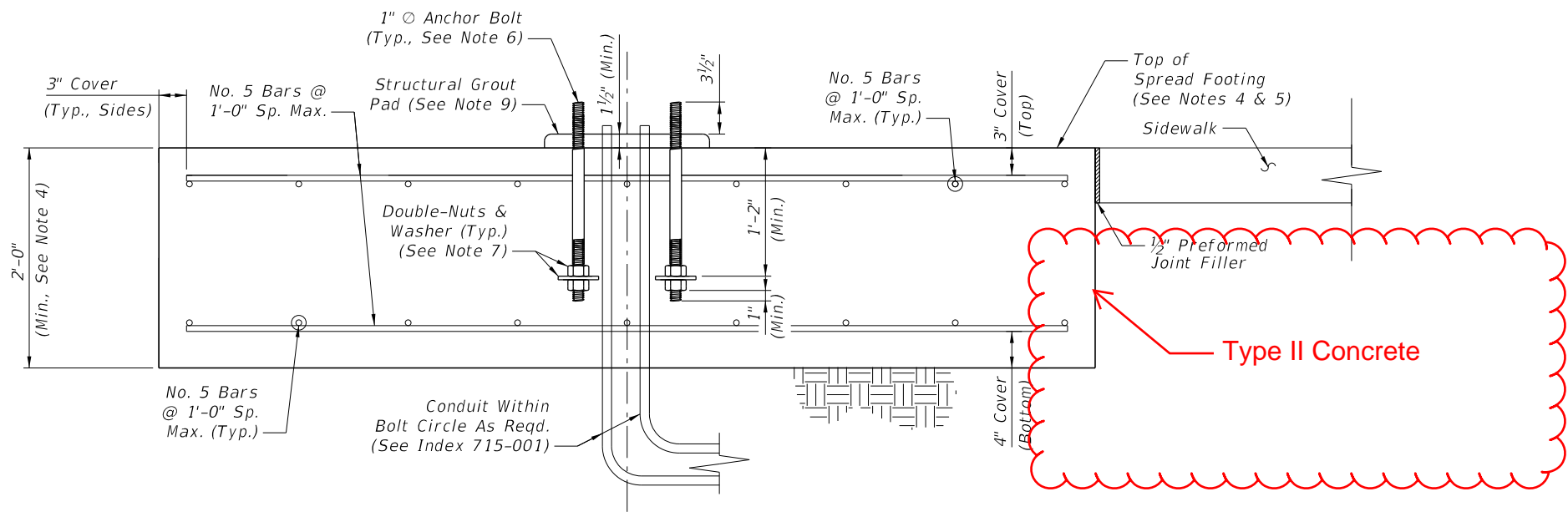


PLAN - SPREAD FOOTING FOUNDATION

SPREAD FOOTING LENGTH, 'L'			
Mounting Height (Ft.)	Wind Speed (All Arm Lengths)		
	120 mph	140 mph	160 mph
20	4'-6"	5'-0"	6'-0"
25	4'-6"	5'-0"	6'-0"
30	7'-0"	7'-0"	7'-0"
35	7'-0"	7'-0"	7'-0"
40	7'-0"	7'-0"	10'-0"
45	8'-6"	10'-0"	10'-0"
50	8'-6"	10'-0"	11'-6"

NOTES:

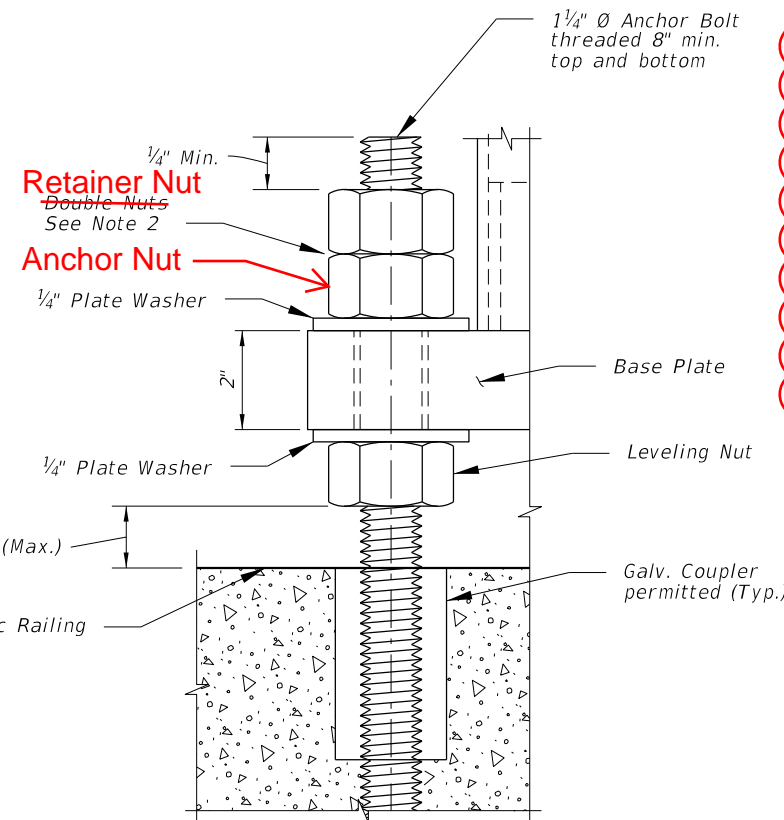
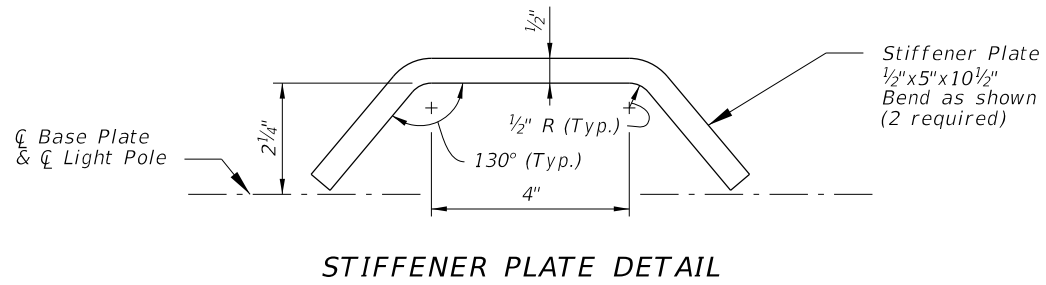
1. Install the Spread Footing Foundation Option only where called for in the Plans.
2. The Spread Footing Foundation Option is only permitted for use with single arm or top mount light poles. Where applicable, the pole arm must be oriented towards the roadway side of the footing as shown. Double arm configurations are not permitted.
3. Sidewalk placed on the other side or both sides of the spread footing is permitted where shown in the Plans. The sidewalk connection to spread footing requires the 1/2" expansion joint shown regardless of the side.
4. The top of the spread footing must match the cross slope of the adjacent sidewalk where applicable per the Plans. The nominal bottom of the spread footing must remain level.
5. Apply concrete surface finish to the top of the spread footing in accordance with Specification 522-7.
6. Mount the anchor bolts plumb. For the corresponding pole base details, see Sheet 4.
7. Place galvanized or zinc-plated steel washers with a minimum thickness of 1/4". Use washers with a minimum size of 3 1/2" round or 3"x3" square.
8. Where raised curb is called for in the Plans, provide a tooled cold joint with bond breaker between the foundation and back of raised curb. See Sheet 2 and the connection between concrete sidewalk and raised curb per Index 522-001.
9. Place a structural grout pad in accordance with Specification 934. The grout pad is square and centered on the bolt circle centerlines. Level the top of the grout pad and smooth the edges and corners per the approval of the Engineer. Install the transformer base in accordance with Sheet 4 and the manufacturer's specifications.



SECTION A-A - SPREAD FOOTING FOUNDATION ELEVATION

SPREAD FOOTING FOUNDATION OPTION

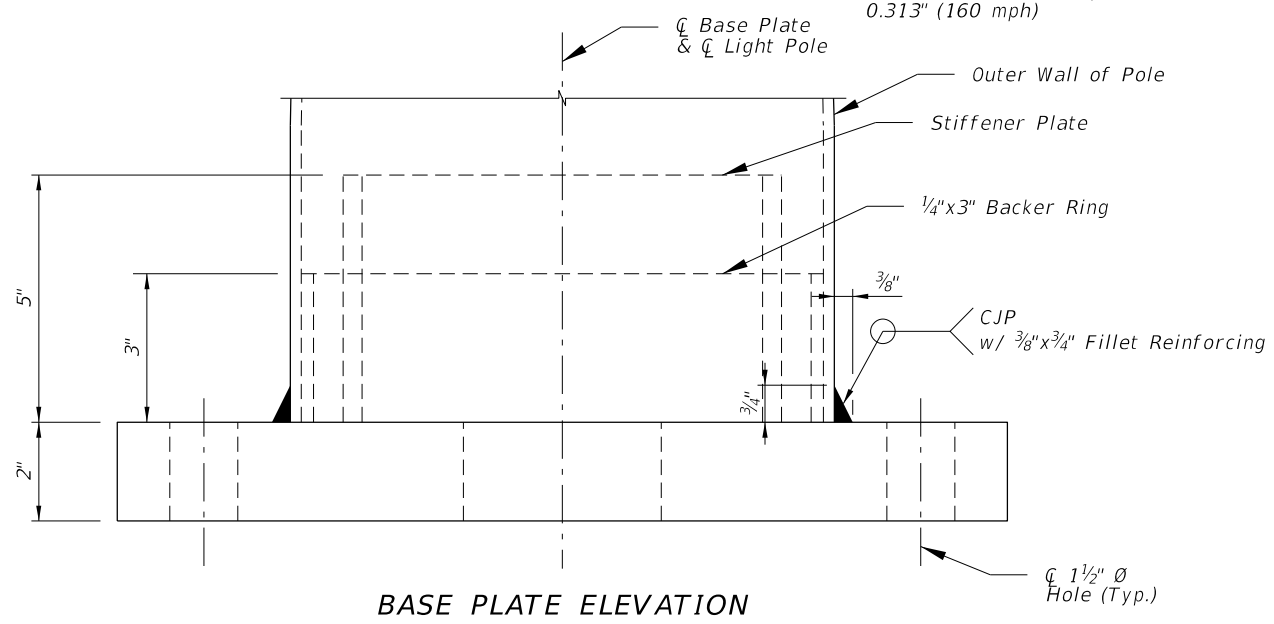
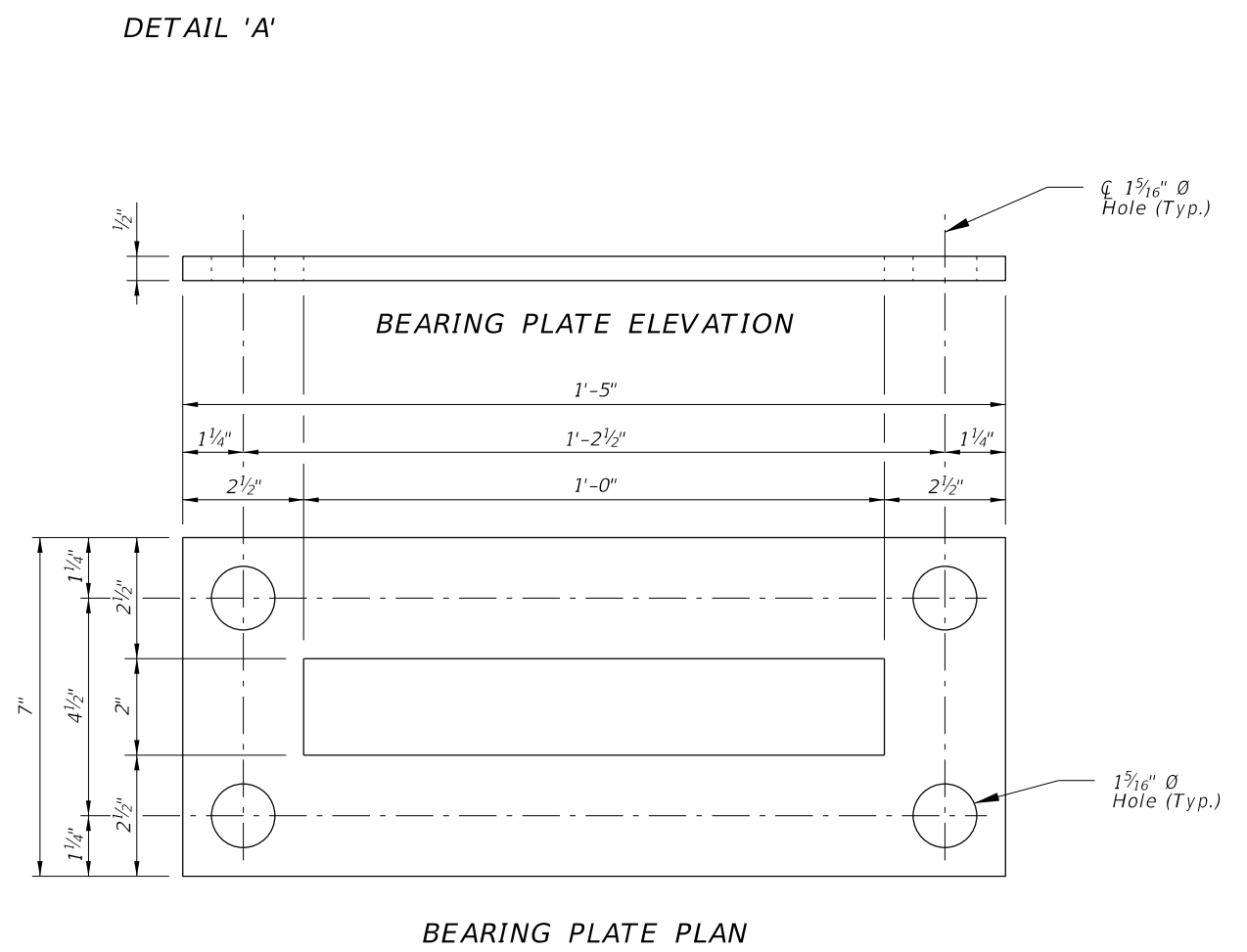
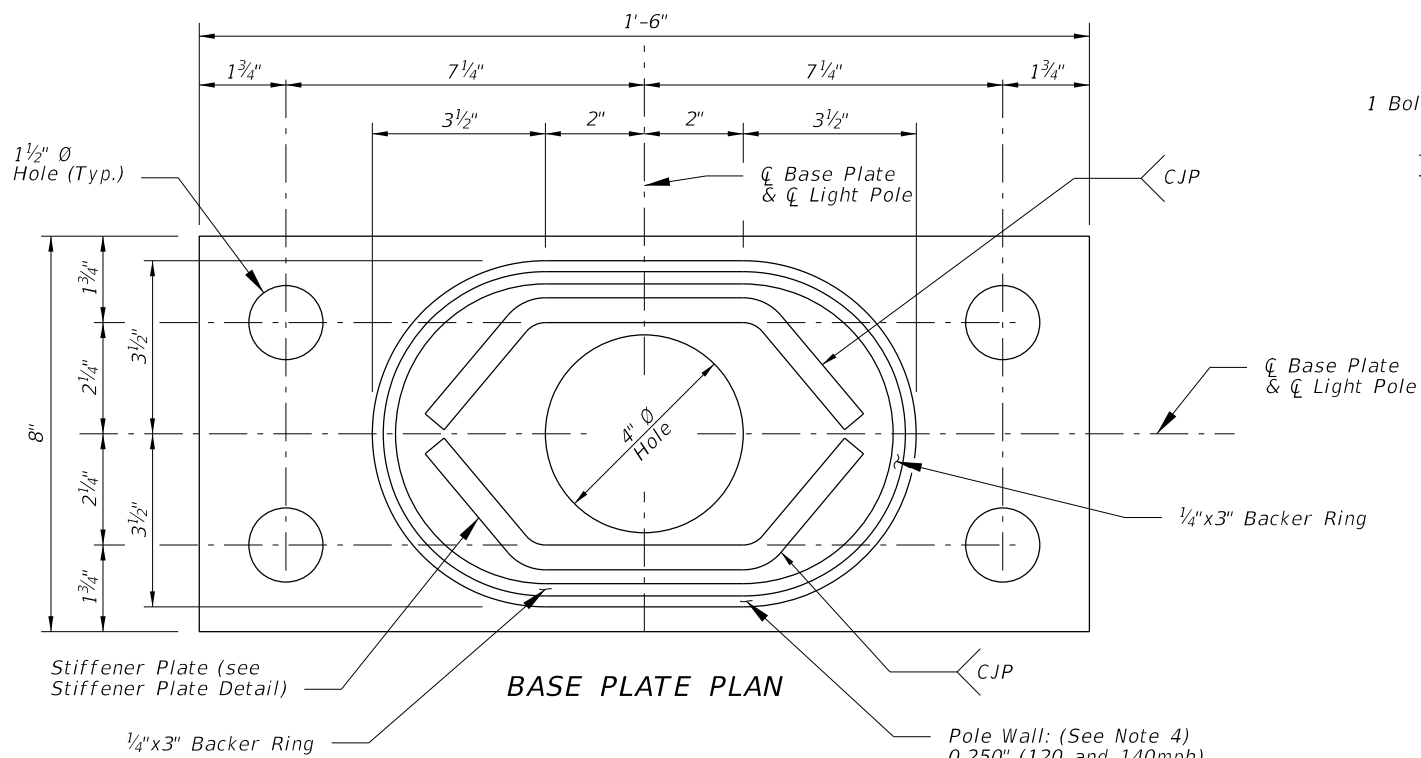
LAST REVISION	DESCRIPTION:
11/01/23 11/01/24	



NOTES:

1. For locations of Bearing Plates, Base Plates and Detail 'A' see Sheets 7 thru 9.
2. ~~Double Nuts.~~ **retainer** The bottom hex nut may be substituted by a half-height 'jam' nut.
3. Provide individual nut covers (not shown) for each bolt.
4. Pole wall thicknesses shown are nominal and shall be within the Aluminum Association Tolerances. Thicker walls are permitted and tapered walls may be used in accordance with the minimum Aluminum Association thicknesses.

REVISED Note 2

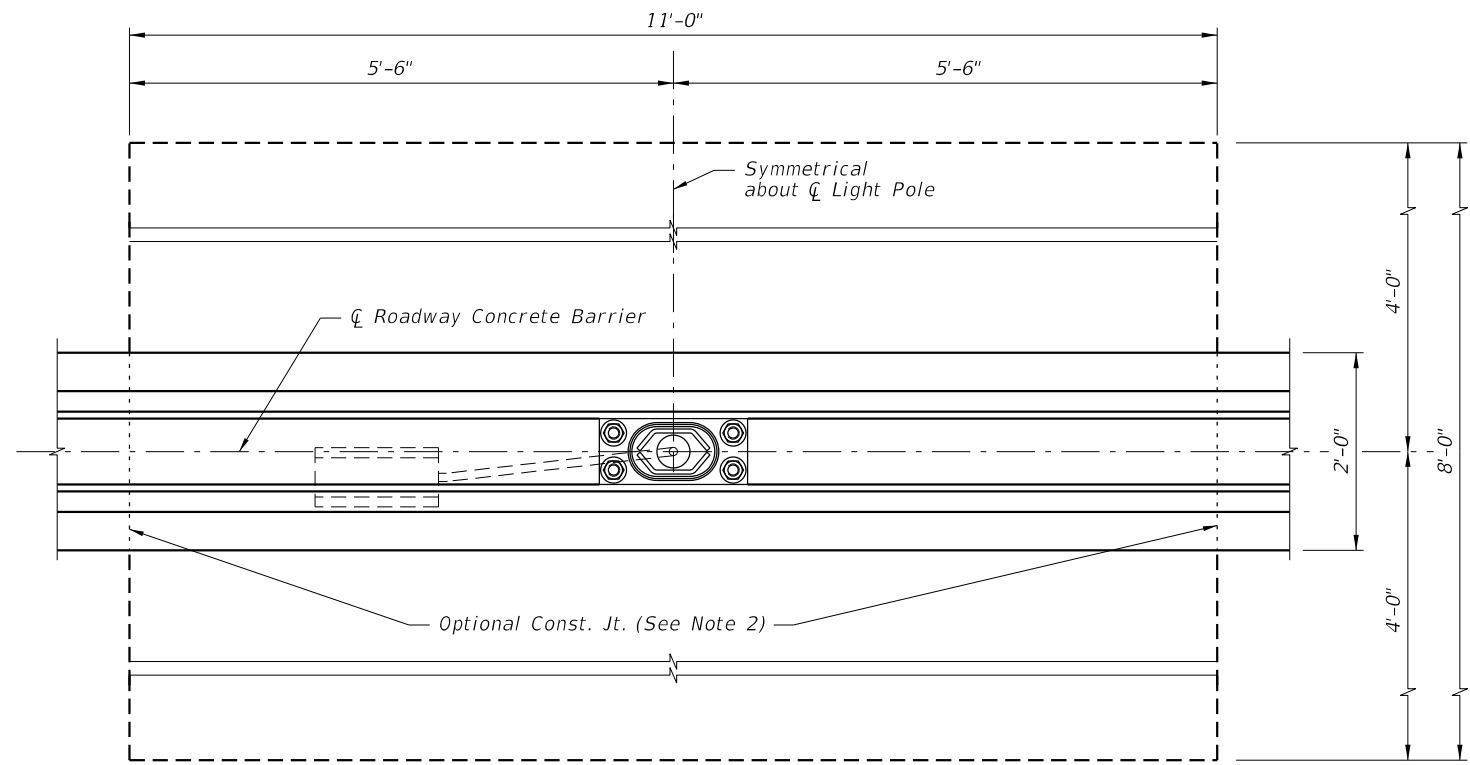


2025-26

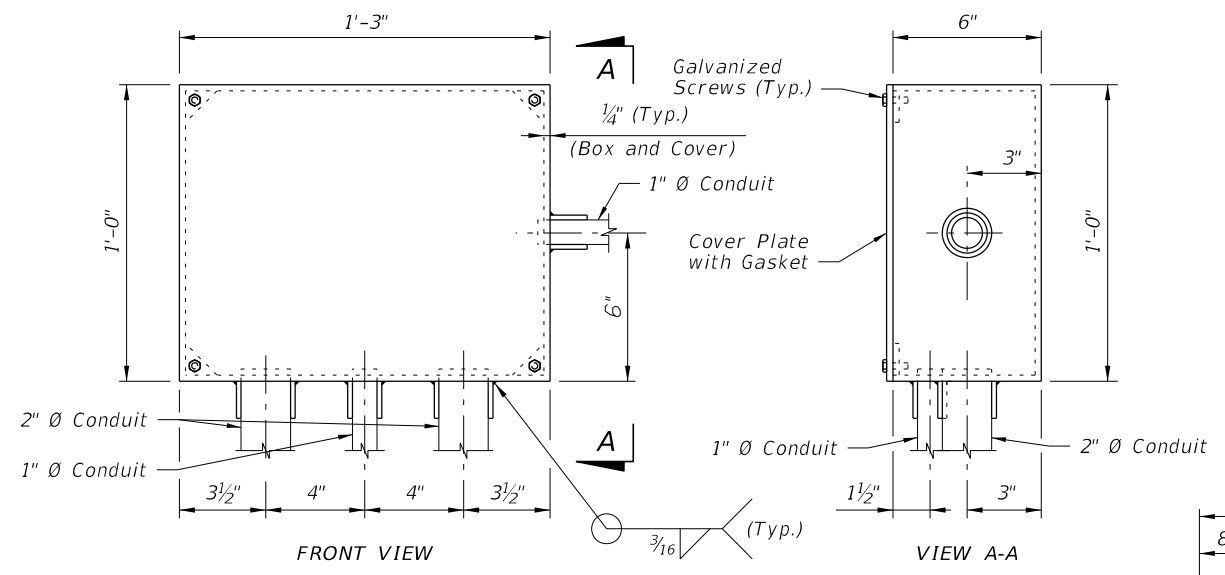
BASE PLATE DETAILS FOR MEDIAN BARRIER MOUNTED ALUMINUM LIGHT POLE

10/4/2023 6:52:36 AM

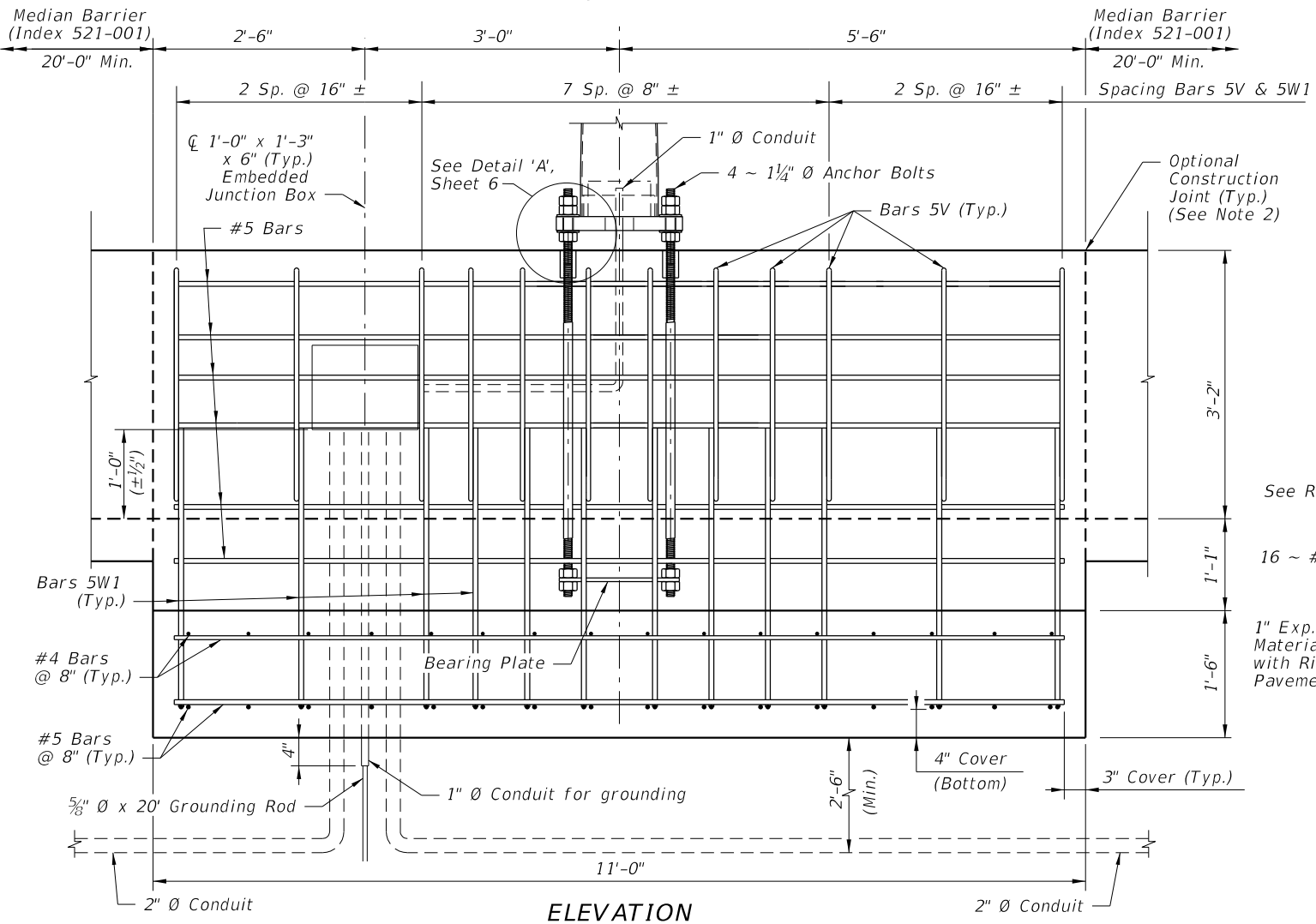
LAST REVISION 11/01/23 11/01/24	DESCRIPTION:		FY 2024-25 STANDARD PLANS	STANDARD ALUMINUM LIGHTING	INDEX 715-002	SHEET 6 of 9



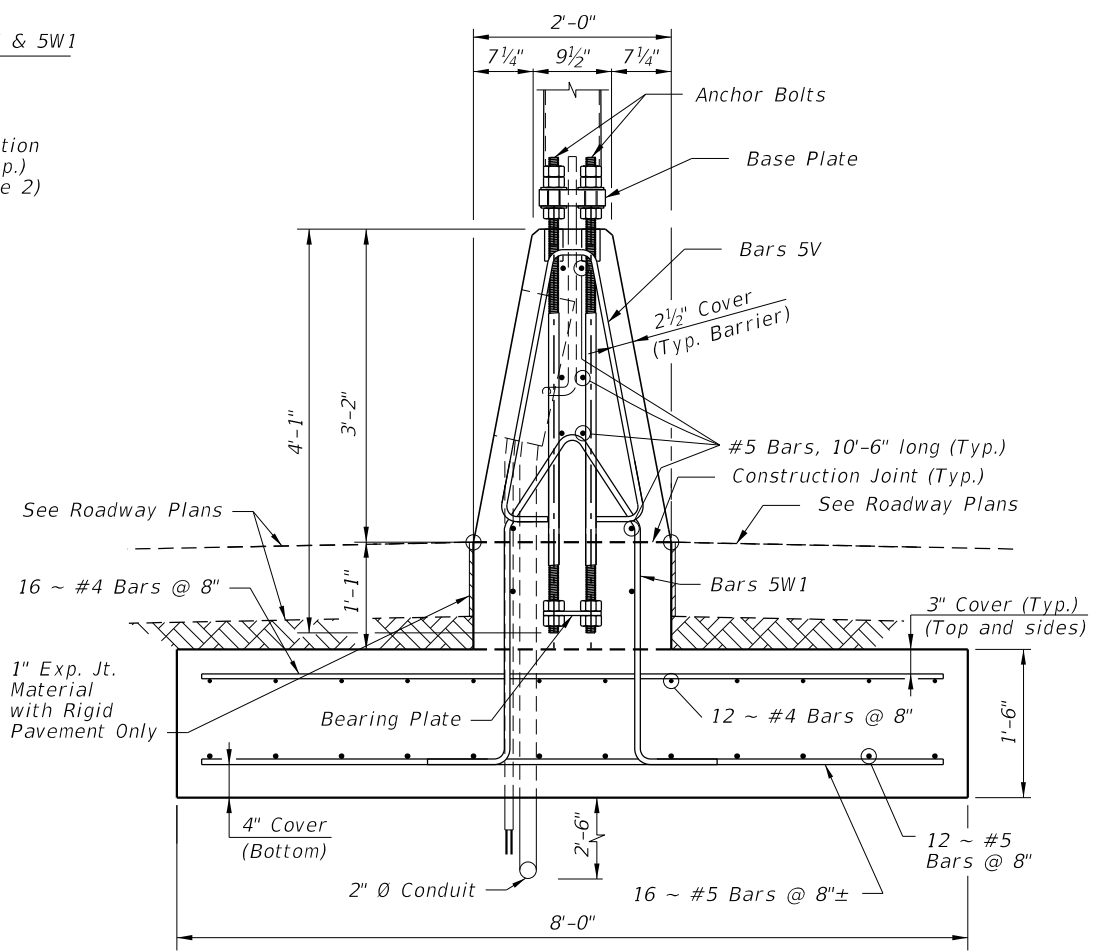
PLAN
(Reinforcing steel not shown)



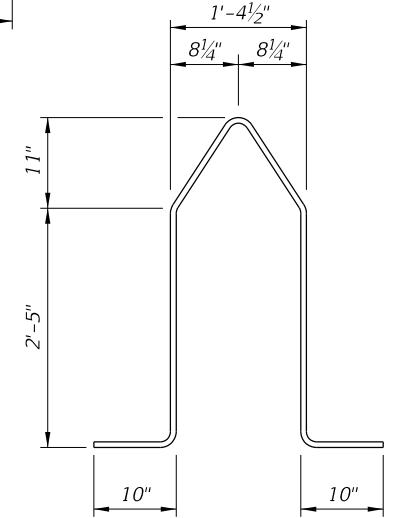
EMBEDDED JUNCTION BOX DETAILS



ELEVATION



END VIEW



BAR 5W1

BAR 5V

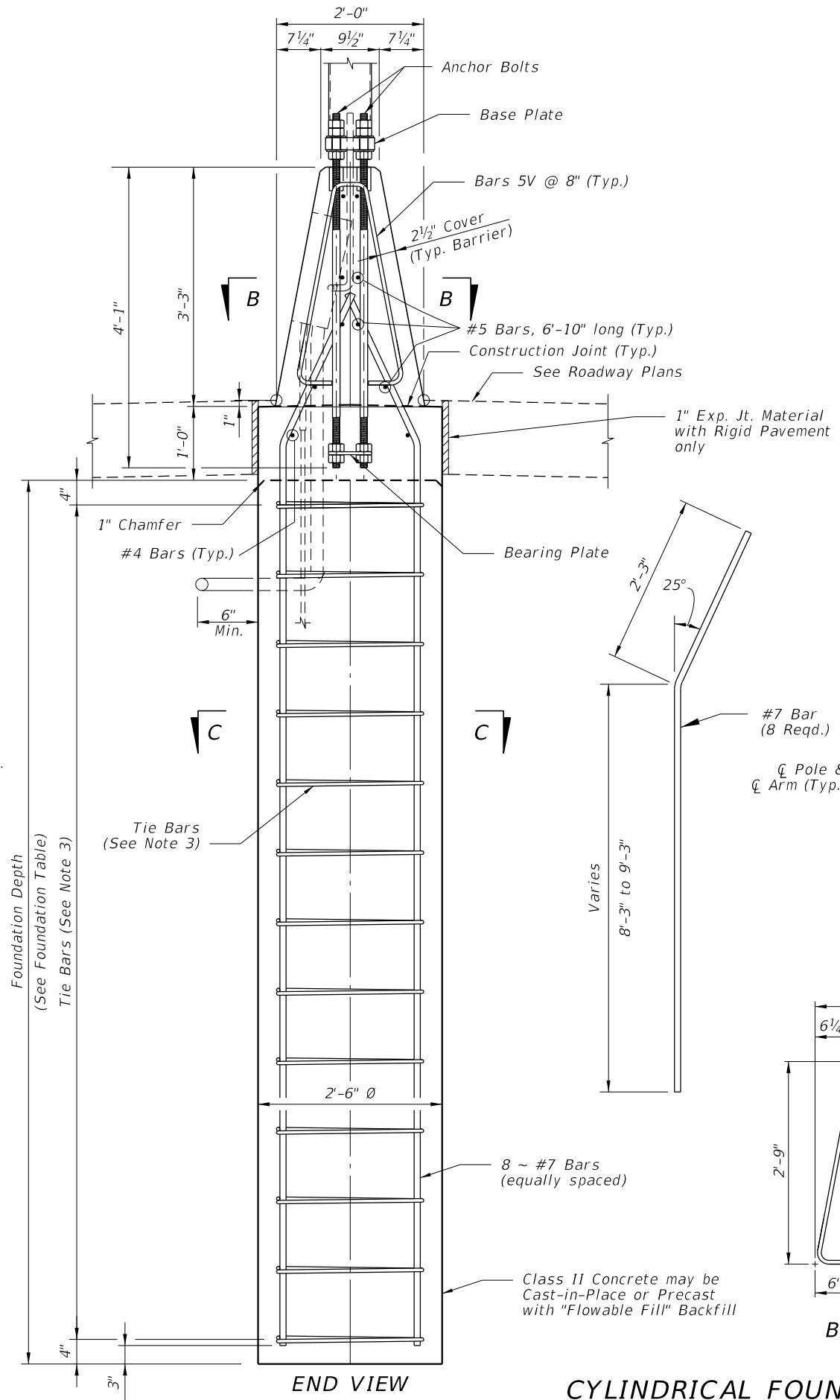
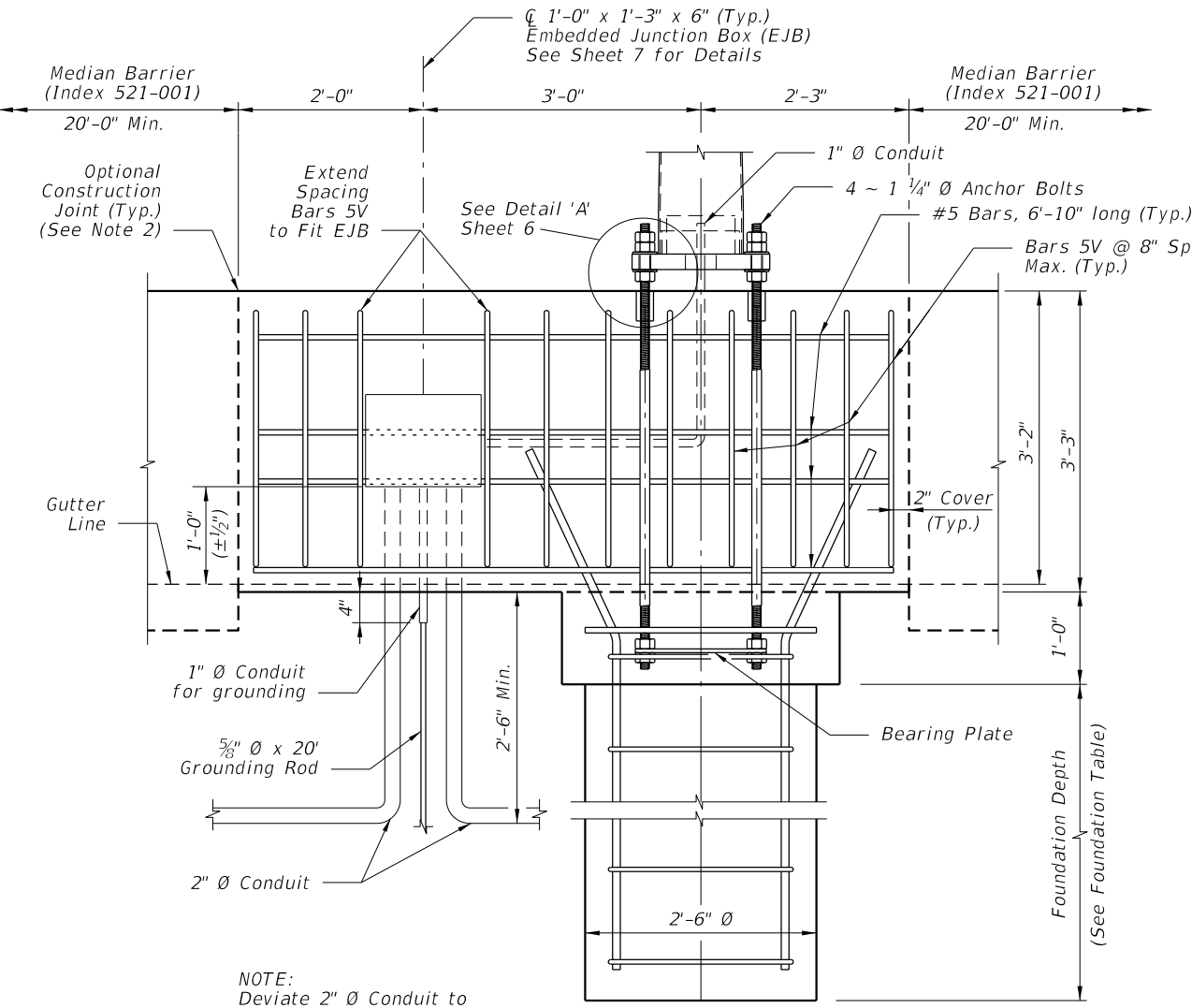
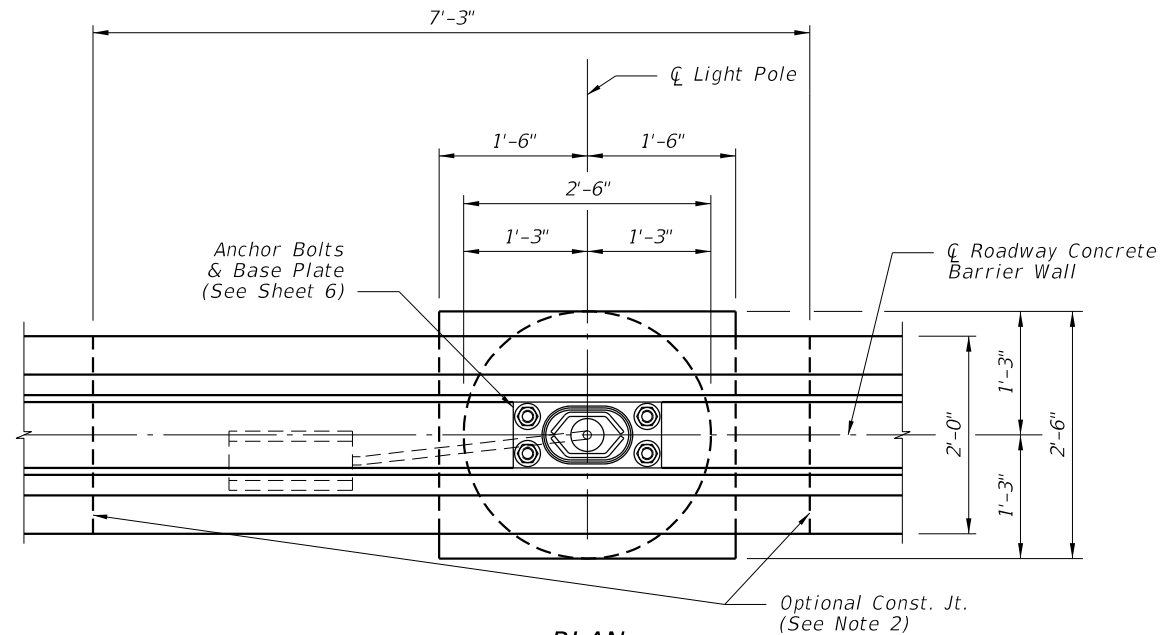
- NOTES:**
1. For Bearing Plate and Base Plate Details, see Sheet 6.
 2. For connections to adjacent Median Barrier, use the Doweled Joint detail per Index 521-001. Alternatively, a continuous concrete pour or a construction joint may be substituted; these alternatives require the Median Barrier's longitudinal steel to lap a minimum of 2'-0" with the longitudinal steel shown herein.

SPREAD FOOTING DETAILS FOR MEDIAN BARRIER MOUNTED ALUMINUM LIGHT POLE

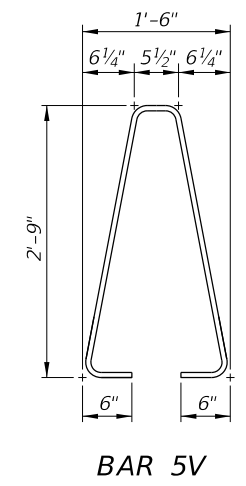
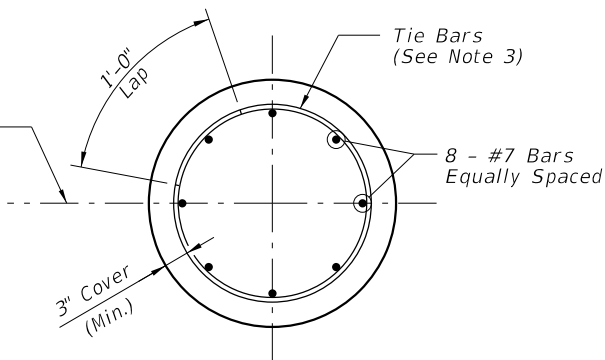
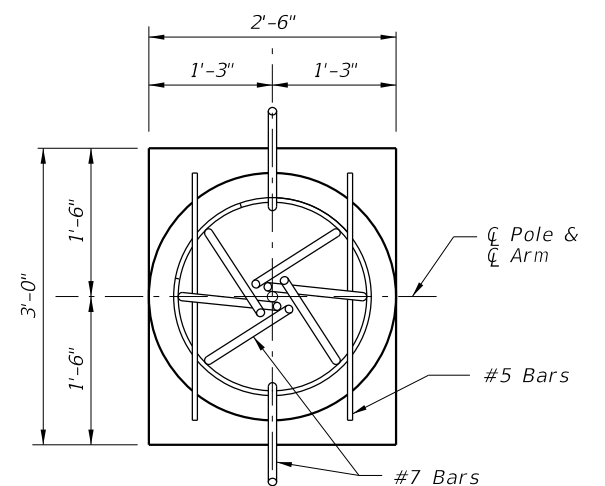
10/4/2023 6:52:43 AM

2025-26

LAST REVISION 11/01/22 11/01/24	DESCRIPTION:		FY 2024-25 STANDARD PLANS	STANDARD ALUMINUM LIGHTING	INDEX 715-002	SHEET 7 of 9



FOUNDATION TABLE		
WIND SPEED (MPH)	DESIGN MOUNTING HEIGHT (FT)	FOUNDATION DEPTH (FT)
120	40	8
140	40	9
160	40	9

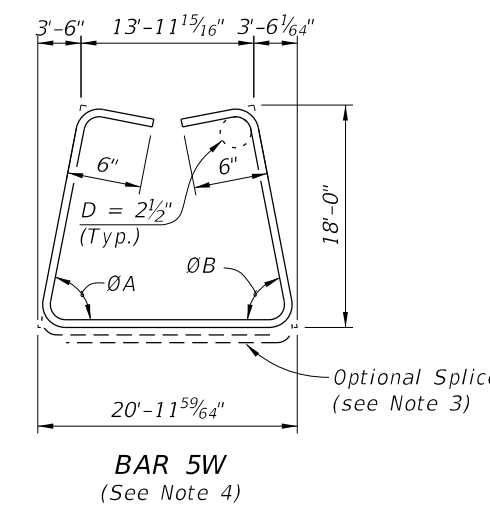
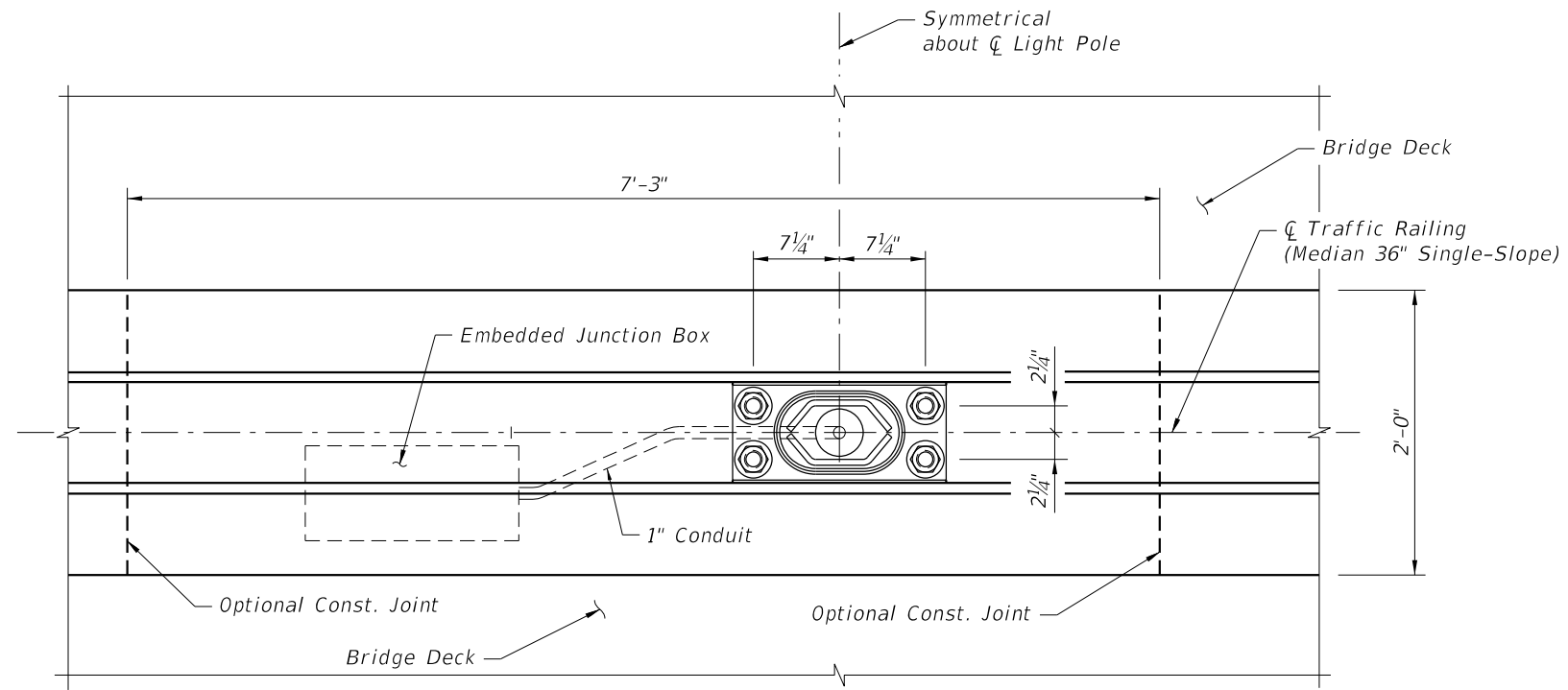


- NOTES:
- For Bearing Plate and Base Plate Details, see Sheet 6.
 - For connections to adjacent Median Barrier, use the Doweled Joint detail per Index 521-001. Alternatively, a continuous concrete pour or a construction joint may be substituted; these alternatives require the Median Barrier's longitudinal steel to lap a minimum of 2'-0" with the longitudinal steel shown herein.
 - #4 Tie Bars @ 12" centers (max.) or D10 (or W10) spiral @ 6" pitch, 3 flat turns top and 1 flat turn bottom.

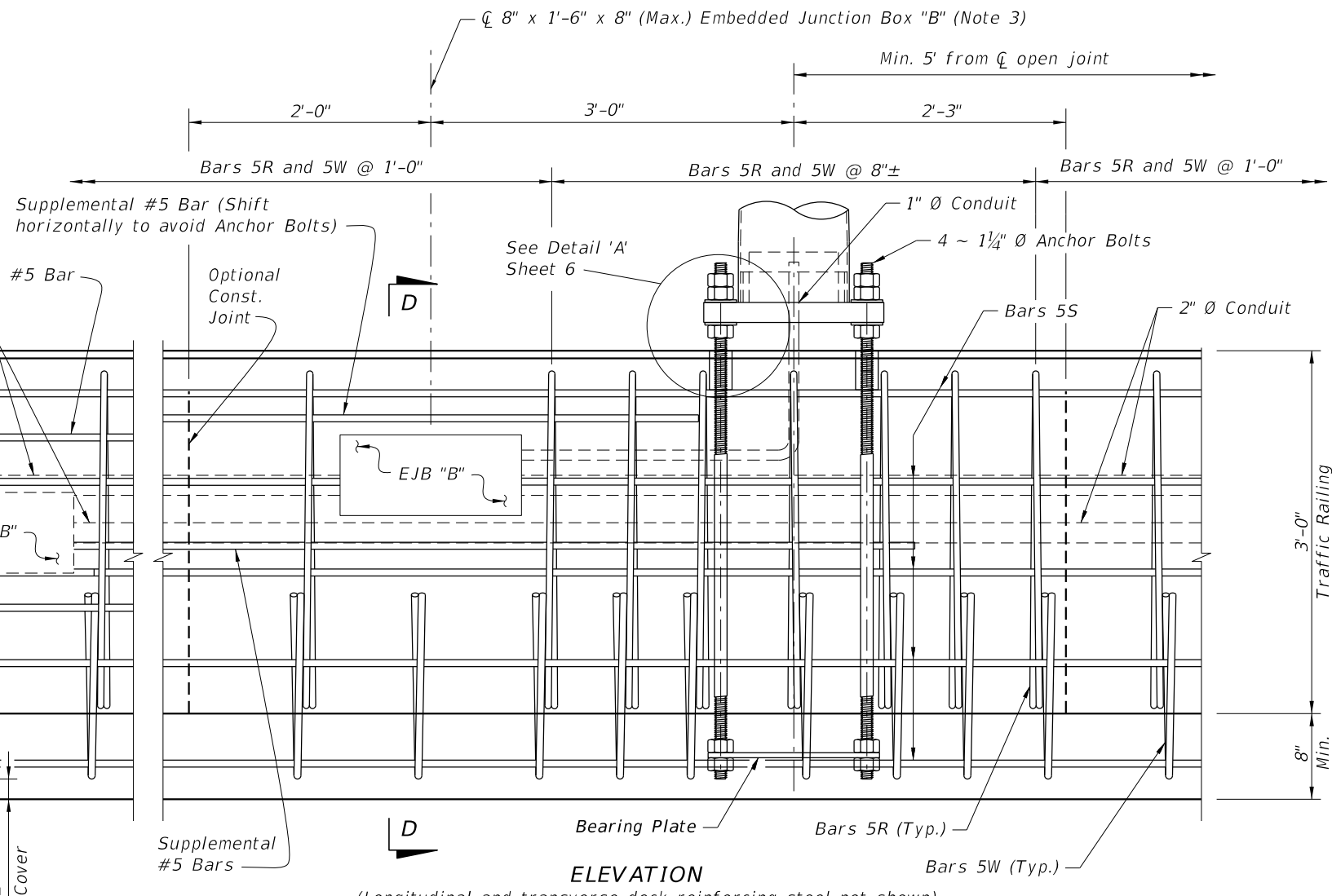
CYLINDRICAL FOUNDATION DETAILS FOR MEDIAN BARRIER MOUNTED ALUMINUM LIGHT POLE

10/4/2023 6:52:50 AM

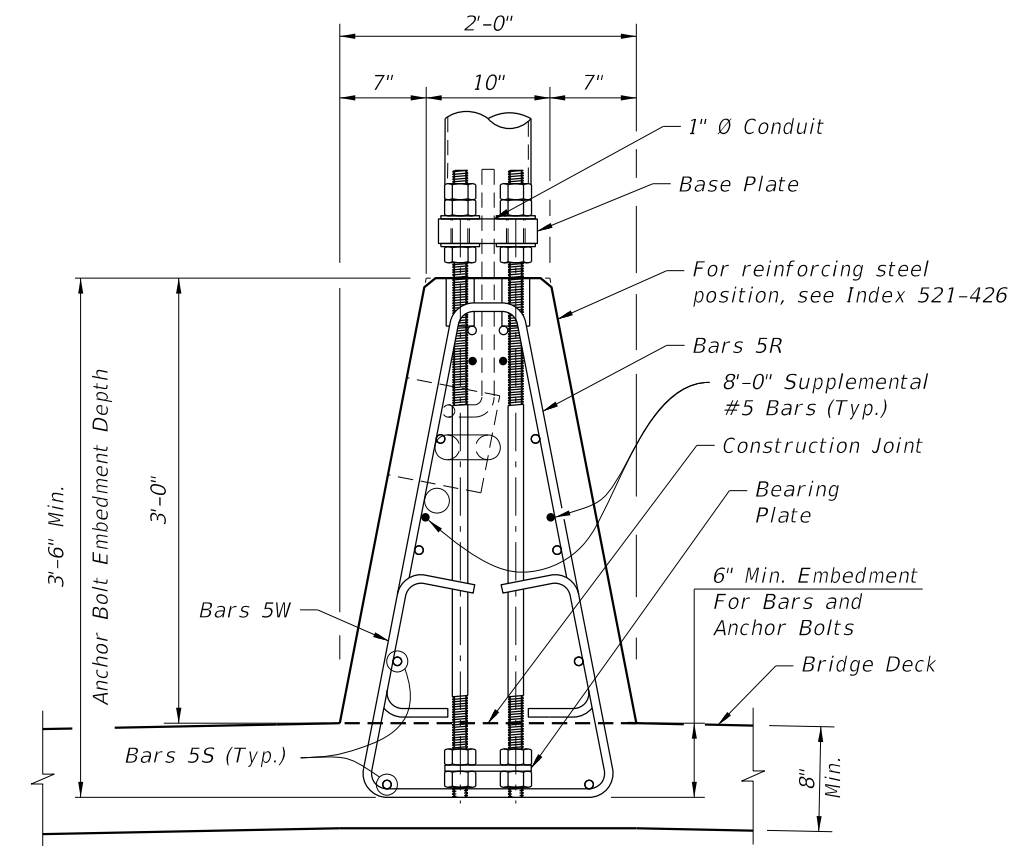
LAST REVISION	DESCRIPTION:
11/01/22	
11/01/24	



PLAN
(Reinforcing steel and 2" Ø Conduit not shown)




ELEVATION
(Longitudinal and transverse deck reinforcing steel not shown)



SECTION D-D
(Longitudinal and transverse deck reinforcing steel not shown)

- NOTES:**
1. For Base Plate Details, Bearing Plate Details, and Detail 'A', see Sheet 6.
 2. See Index 521-426 for details of adjacent Traffic Railing (Median 36" Single-Slope) and for angles ØA and ØB.
 3. See Index 630-010 for Conduit, EJB and supplemental reinforcing details.
 4. At the Contractor's option, Bars 5W may be fabricated as a two piece bar with a 1'-2" lap splice at the bottom legs.

10/4/2023 6:52:57 AM

LAST REVISION 11/01/22 11/01/24	REVISION	DESCRIPTION:	 FY 2024-25 STANDARD PLANS	STANDARD ALUMINUM LIGHTING	INDEX 715-002	SHEET 9 of 9
--	----------	--------------	---	----------------------------	------------------	-----------------

SHEET	CONTENTS
1	Index Contents; General Notes
2	Elevations
3	Arm & Damper Details
4	Shaft Foundation Option with Light Pole & Base Details
5	Spread Footing Foundation Option
6	Base Plate Details for Median Barrier Mounted Aluminum Light Pole
7	Spread Footing Details for Median Barrier Mounted Aluminum Light Pole
8	Cylindrical Foundation Details for Median Barrier Mounted Aluminum Light Pole
9	Details for Traffic Railing (Median 36" Single-Slope) Mounted Aluminum Light Pole

GENERAL NOTES:

1. **LOADING:** Poles are designed to support the following:
 - a. Luminaire Effective Projected Area (EPA): 1.55 SF
 - b. Weight: 75 lb.
2. **SHOP DRAWINGS:** This Index is considered fully detailed; only submit shop drawings for minor modifications not included in the Plans.
3. **MATERIALS:**
 - a. Pole, Pole Connection Extrusions and Arm Extrusions: ASTM B221, Alloy 6063-T6 or Alloy 6061-T6
 - b. Bars, Plates, Stiffeners and Backer Ring: ASTM B221, Alloy 6063-T6
 - c. Caps and Covers: ASTM B-26, Alloy 319-F
 - d. Steel Bearing Plate: ASTM A709 or ASTM A36 Grade 36
 - e. Aluminum Weld Material: ER 4043
 - f. Transformer and Frangible Base Materials: ASTM B26 or ASTM B108, Alloy 356-T6
 - g. Bolts, Nuts and Washers:
 - i. Shoe Base Bolts: ASTM F3125, Grade A325, Type 1
 - ii. Nuts: ASTM A563 Grade DH Heavy-Hex
 - iii. Washer: ASTM F436 Type 1
 - h. Anchor Bolts, Nuts, and Washers:
 - i. Anchor Bolts: ASTM F1554 Grade 55
 - ii. Nuts: ASTM A563 Grade A Heavy-Hex
 - iii. Plate Washer: ASTM A36
 - i. Stainless Steel Fasteners: ASTM F593 Alloy Group 2, Condition A, CW1 or SH1
 - j. Nut Covers: ASTM B26 (319-F)
 - k. Concrete: Class II
 - l. Reinforcing Steel: Specification 415
4. **FABRICATION:**
 - a. Weld Arm and Pole (Alloy 6063) in the T4 temper using 4043 filler. Age the Arm and Pole artificially to the T6 temper after welding
 - b. Transverse welds are only allowed at the base.
 - c. Roadway Light Pole Taper: Taper as required to provide a round top O.D. of 6" and a base O.D. of 8" for 20' and 25' mounting heights and 10" O.D. for poles with 30' to 50' mounting heights. Portions of the pole near the base shoe and at the arm connections may be held to simplify fabrication.
 - d. Median Barrier Mounted Light Pole Taper: Taper as required to provide a 6" O.D. round top with an 11" x 7" O.D. oblong base. Portions of the pole near the base and at the arm connections may be held constant at 11" x 7" oblong and 6" round respectively to simplify fabrication.
 - e. Provide 'J', 'S' or 'C' hook at top of pole for electrical wires.
 - f. Equip poles located on bridges, walls and concrete median barriers/Traffic Railings with a vibration damper.
 - g. Perform all welding in accordance with AWS D1.2.
 - h. Embedded Junction Box (EJB):
 - i. Weld all seams continuously and grind smooth.
 - ii. Hot Dip Galvanize after Fabrication.
 - iii. Provide a watertight cover with neoprene gasket and secure cover with galvanized screws.

GENERAL NOTES (CONTINUED):

5. **POLE CAPACITY:** For Median Barrier Mounted Aluminum Light Poles, the fabricator must demonstrate the ability to produce a crack free pole.

The fabricator's Department-approved QC Plan must contain the following information prior to fabrication:

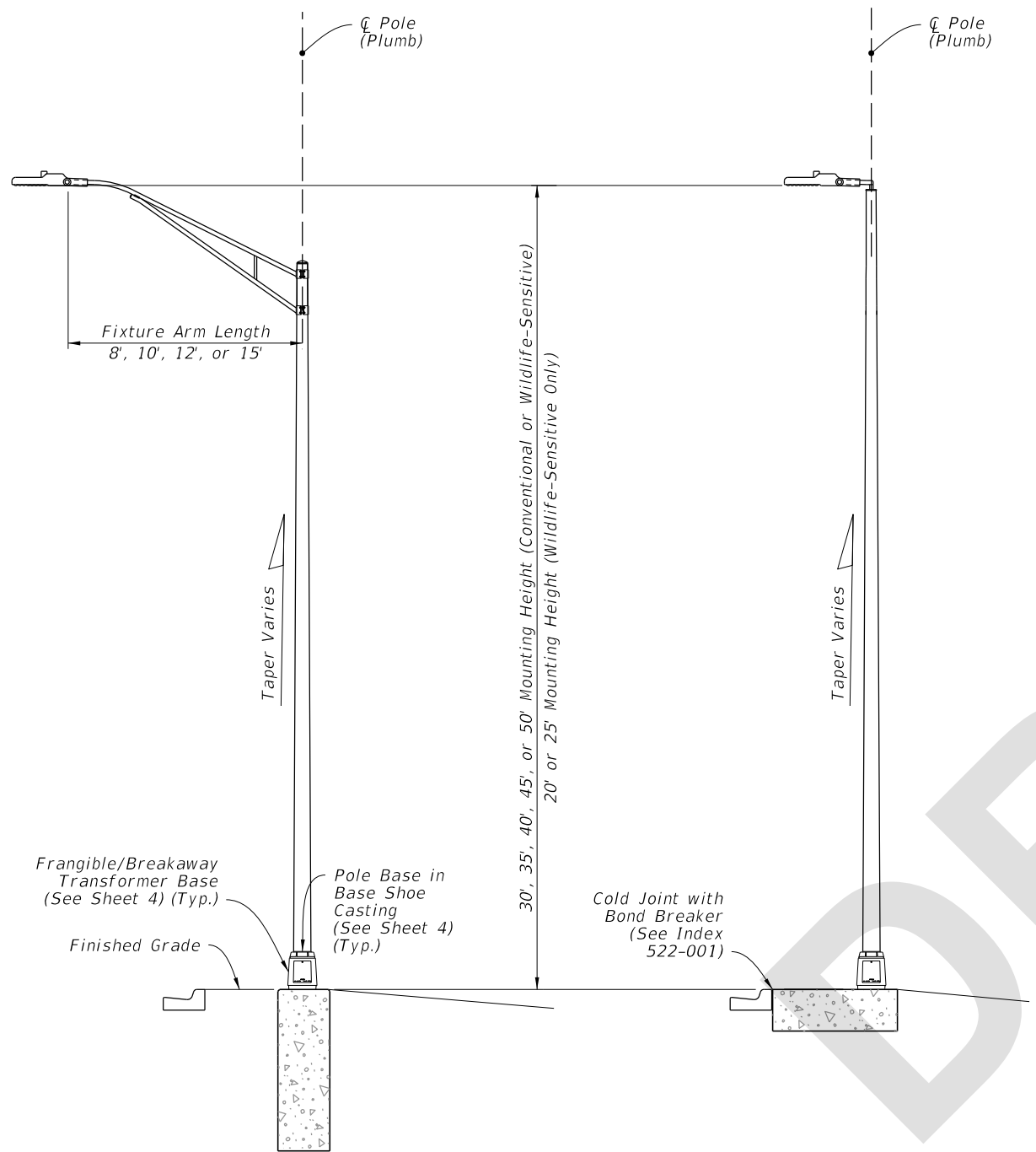
 - a. Tests demonstrating a pole with a 1/4" wall thickness achieves and ultimate moment capacity of 36 kip*ft in the strong axis and 30 kip*ft in the weak axis.
 - b. Tests demonstrating a pole with a 5/16" wall thickness achieves an ultimate moment capacity of 44 kip*ft in the strong axis and 37 kip*ft in the weak axis.
 - c. Test results showing the pole does not buckle at the shape transition area under the ultimate moment capacity loads.
 - d. Complete details and calculations for the reinforced 4"x 6" (Min.) handhole located 1'-6" above the base plate.
6. **IDENTIFICATION TAG:** (Submit details for approval.)
 - a. 2" x 4" (Max.) aluminum identification tag.
 - b. Locate on the inside of the transformer base and visible from the door opening.
 - c. Secure to transformer base with 1/8" diameter stainless steel rivets or screws.
 - d. Include the following information on the ID Tag:
 - i. Financial Project ID
 - ii. Pole Height
 - iii. Manufacturer's Name
7. **COATINGS/FINISH:**
 - a. Pole and Arm Finish: 50 grit satin rubbed.
 - b. Galvanize Steel Bolts, Screws, Nuts and Washers: ASTM F2329
 - c. Hot Dip Galvanize EJB and other steel items including poles and plate washers: ASTM A123
8. **CONSTRUCTION:**
 - a. Foundation: Specification 455, except payment for the foundation is included in the cost of the pole.
 - b. Frangible Base, Base Shoe, and Clamp:
 - i. Certify that the Clamp, Frangible Transformer Base, and Base Shoe Design are capable of providing the required capacity.
 - ii. Certify the Base conforms to the current FHWA required AASHTO Frangibility Requirements, tested under NCHRP Report 350 Guidelines (e.g. Akron Foundry TB1-17).
 - iii. Do not erect pole without Luminaire attached.
9. **EMBEDDED JUNCTION BOX (EJB):** Install EJBs per Note 4 and in accordance with Specification 635, as shown on the following Sheets.
10. **WIND SPEED BY COUNTY:**

120 MPH
Alachua, Baker, Bradford, Calhoun, Clay, Columbia, Dixie, Duval, Gadsden, Gilchrist, Hamilton, Jackson, Jefferson, Lafayette, Leon, Liberty, Nassau, Madison, Putnam, Suwannee, Taylor, Union and Wakulla Counties.

140 MPH
Bay, Citrus, De Soto, Flagler, Franklin, Glades, Gulf, Hardee, Hendry, Hernando, Highlands, Hillsborough, Holmes, Lake, Levy, Manatee, Marion, Okaloosa, Okeechobee, Orange, Osceola, Pasco, Pinellas, Polk, Santa Rosa, Seminole, St. Johns, Sumter, Volusia, Walton and Washington Counties.

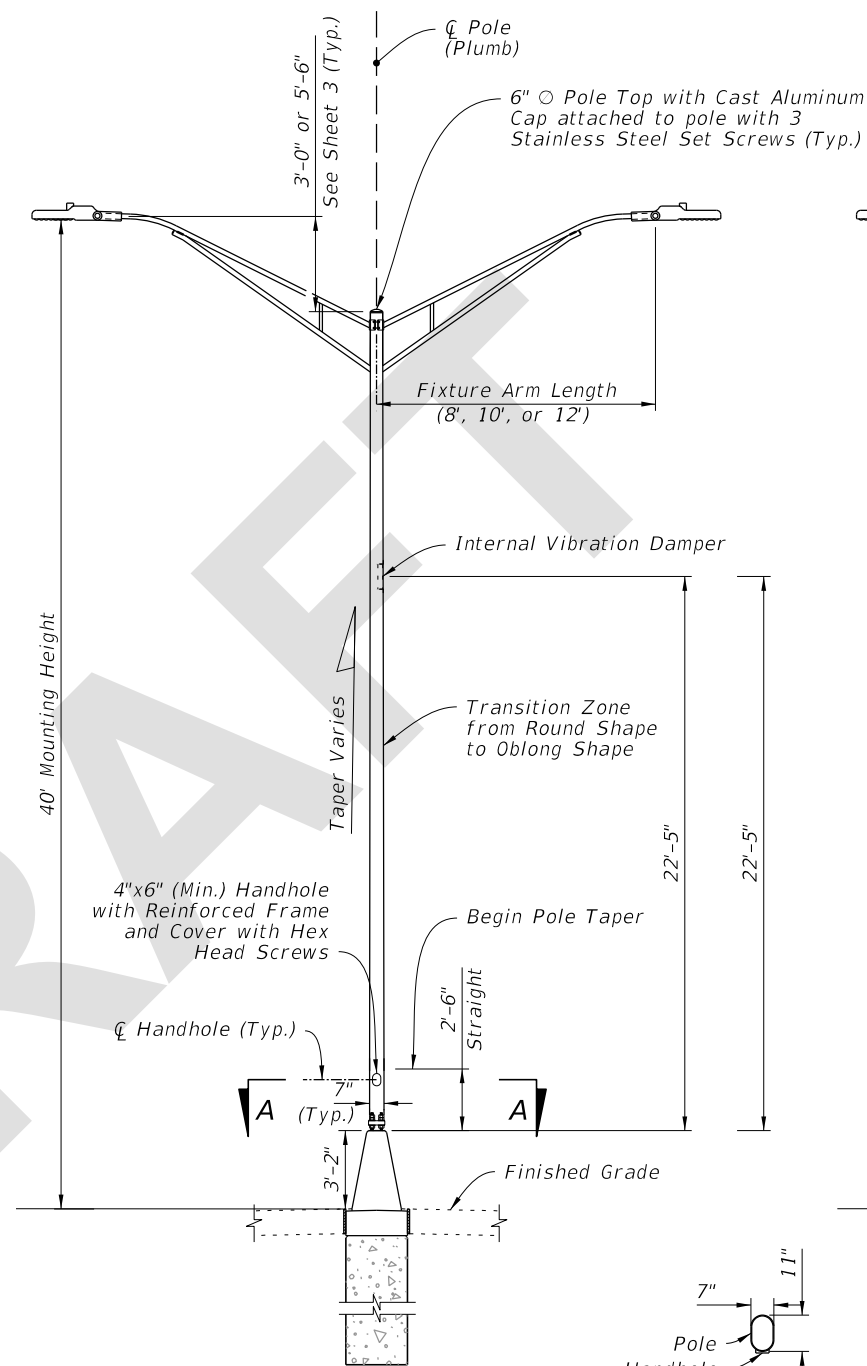
160 MPH
Brevard, Broward, Charlotte, Collier, Escambia, Indian River, Lee, Martin, Miami-Dade, Monroe, Palm Beach, Sarasota and St. Lucie Counties.

7/9/2024 1:29:25 PM

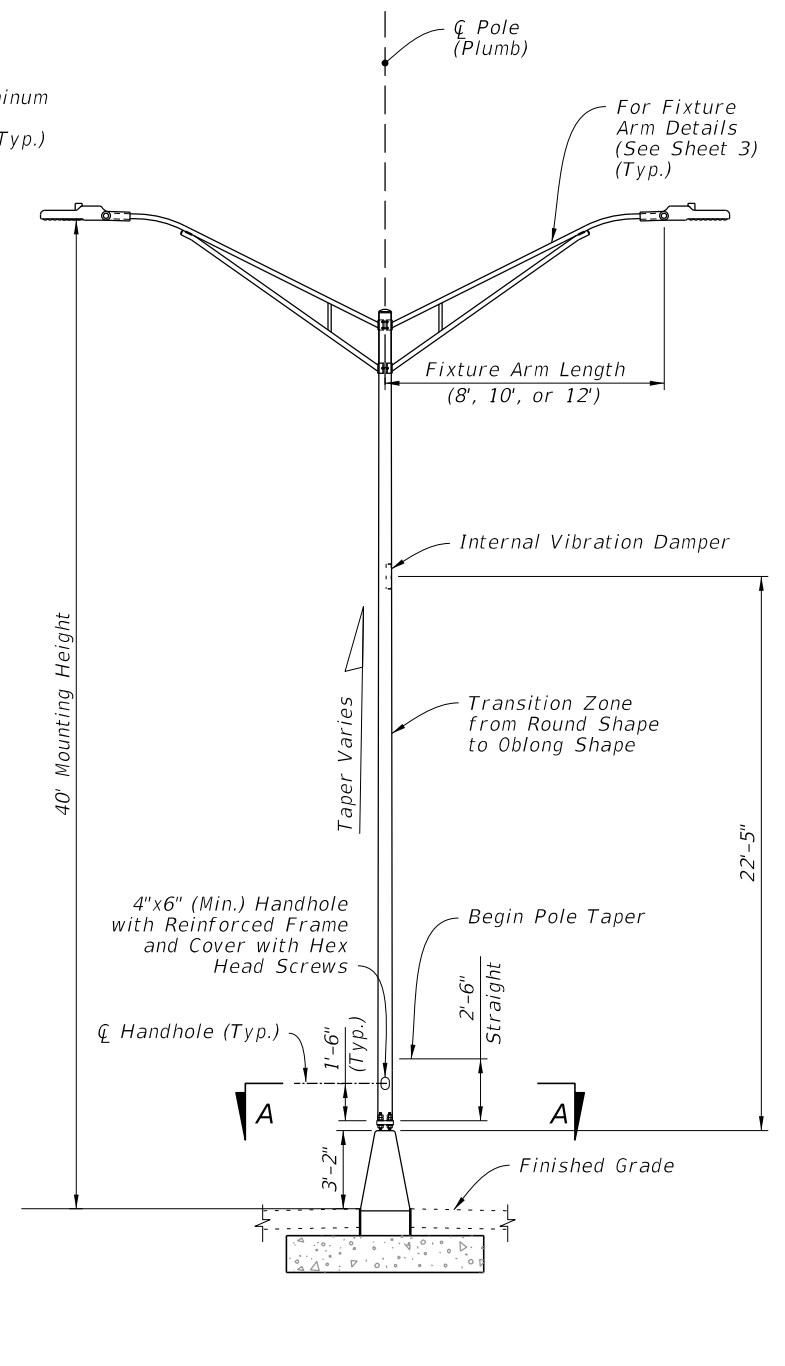
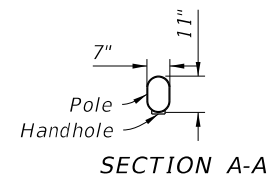


STANDARD ROADWAY ALUMINUM LIGHT POLE WITH ARM
(Shaft Foundation Option Shown, Spread Footing Option Similar)

STANDARD ROADWAY ALUMINUM LIGHT POLE WITH TOP MOUNT
(Spread Footing Option Shown, Shaft Footing Option Similar)




MEDIAN BARRIER MOUNTED ALUMINUM LIGHT POLE ON CYLINDRICAL FOUNDATION
(Double-Arm Shown, Single-Arm and Top Mount Similar)

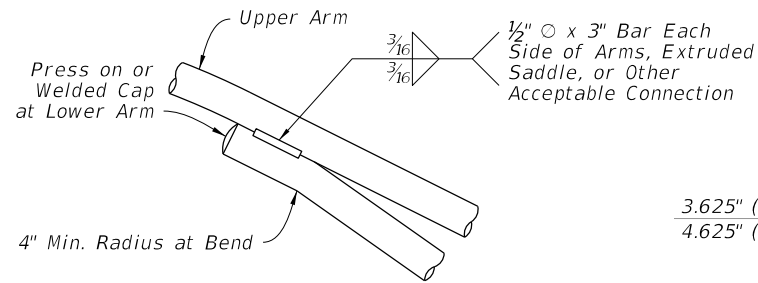


MEDIAN BARRIER MOUNTED ALUMINUM LIGHT POLE ON SPREAD FOOTING FOUNDATION
(Double-Arm Shown, Single-Arm and Top Mount Similar)

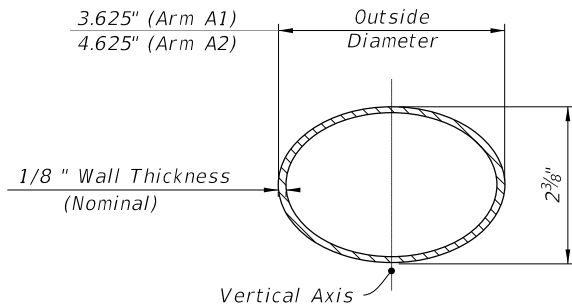
ELEVATIONS

7/9/2024 1:29:29 PM

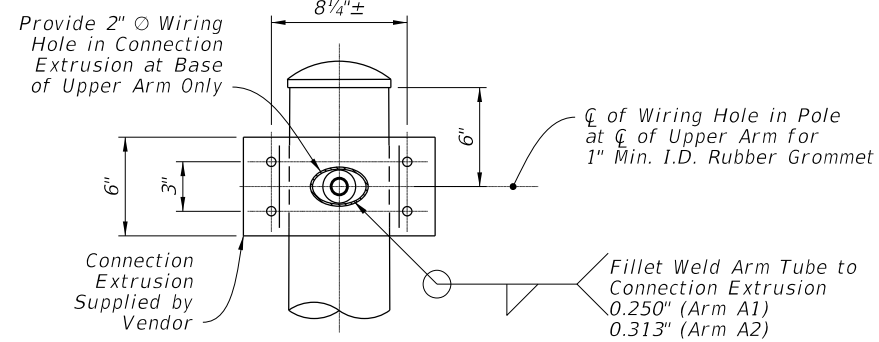
LAST REVISION 11/01/24	REVISION	DESCRIPTION:	 FY 2025-26 STANDARD PLANS	STANDARD ALUMINUM LIGHTING	INDEX 715-002	SHEET 2 of 9
---------------------------	----------	--------------	--	----------------------------	------------------	-----------------



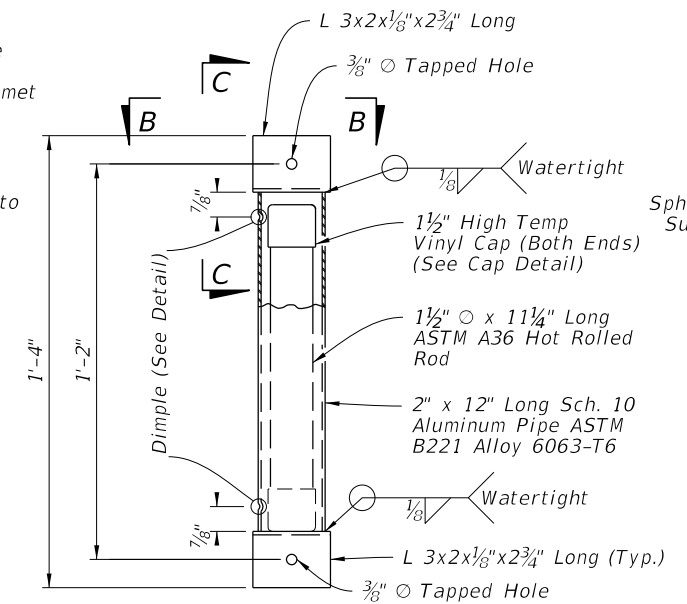
ARM CONNECTION DETAIL



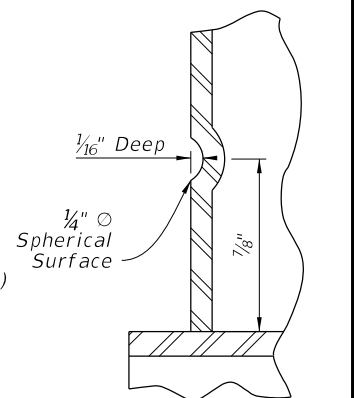
ARM SECTION



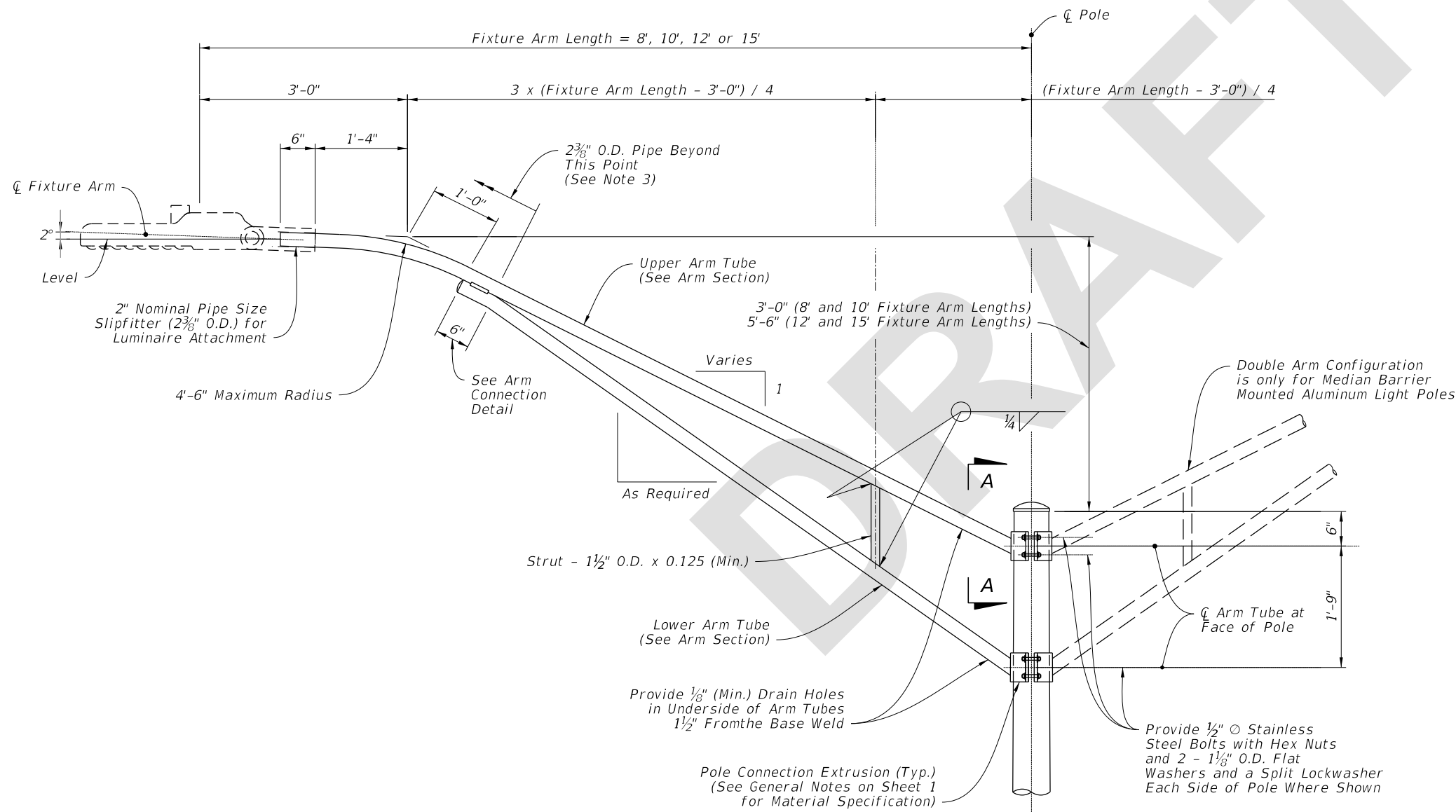
VIEW A-A
(Connection at Lower Arm Similar)



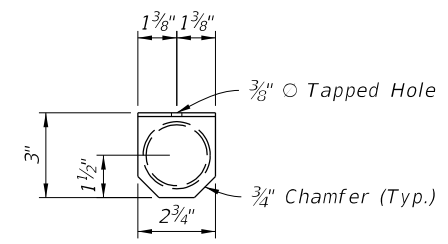
VIBRATION DAMPER ELEVATION



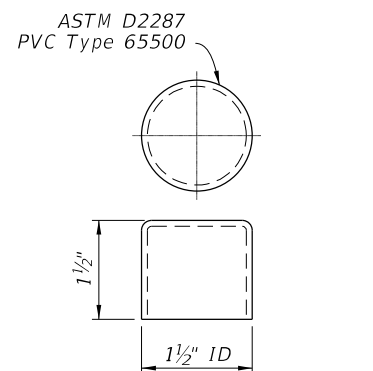
DIMPLE DETAIL



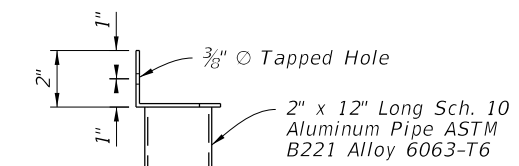
ARM ELEVATION



VIEW B-B



HIGH TEMP VINYL CAP DETAIL



VIEW C-C

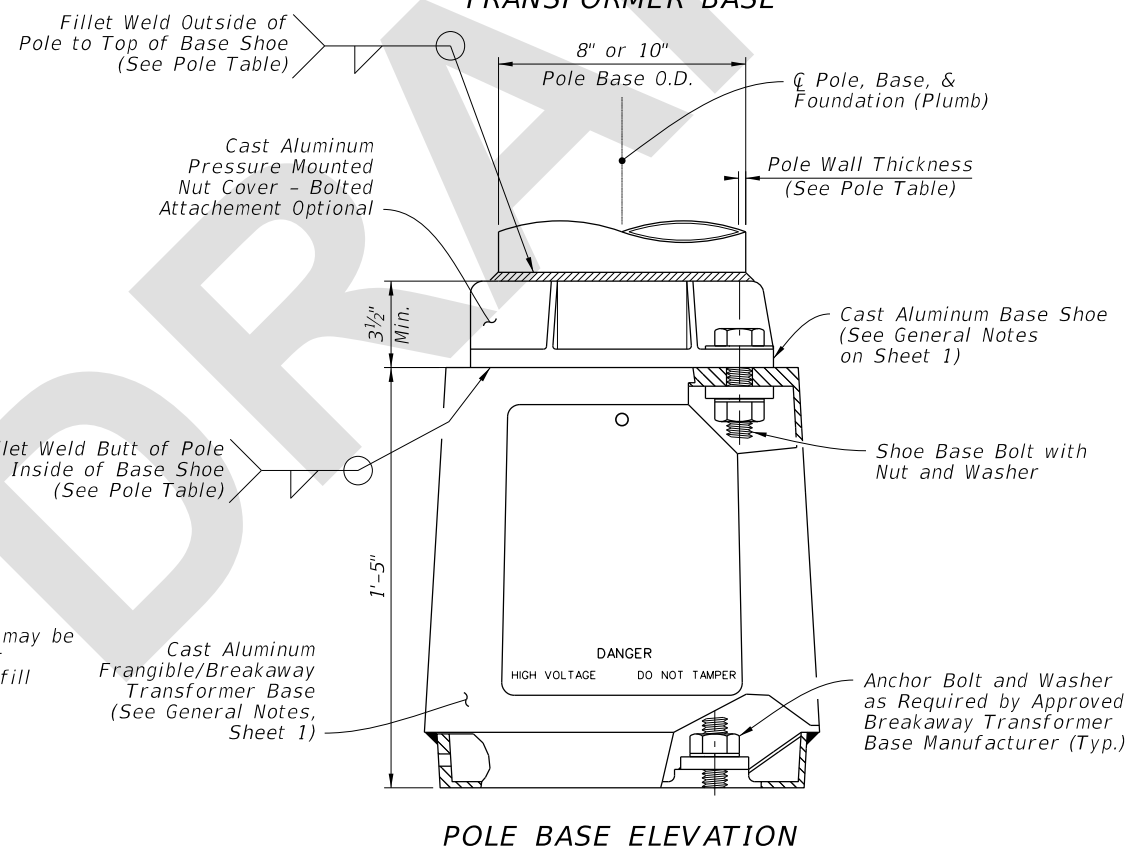
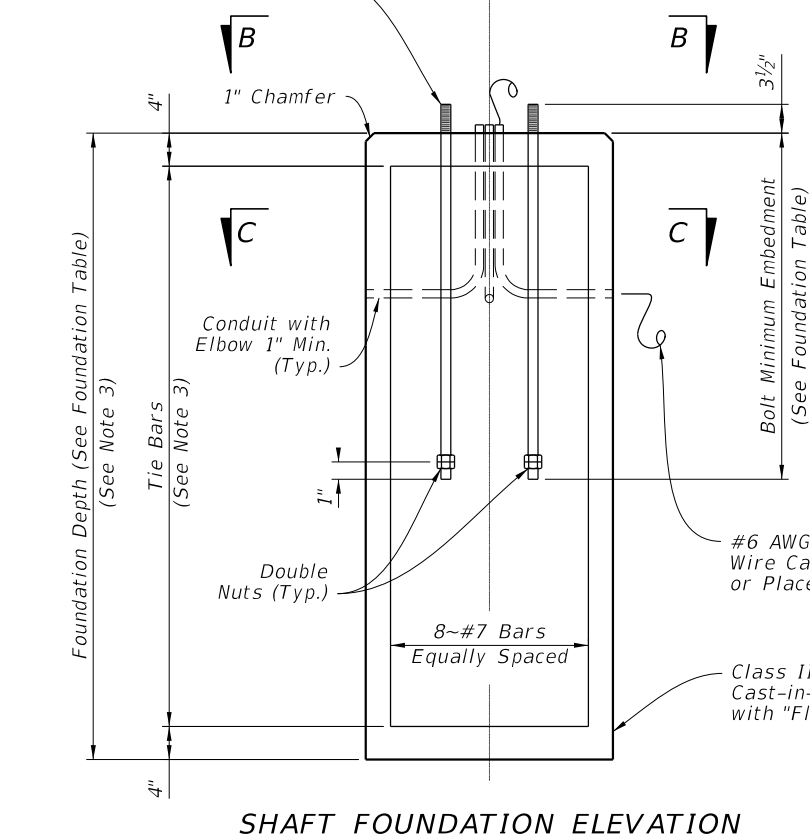
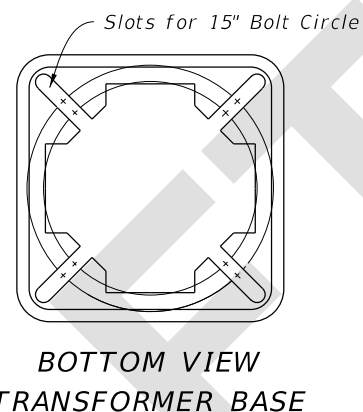
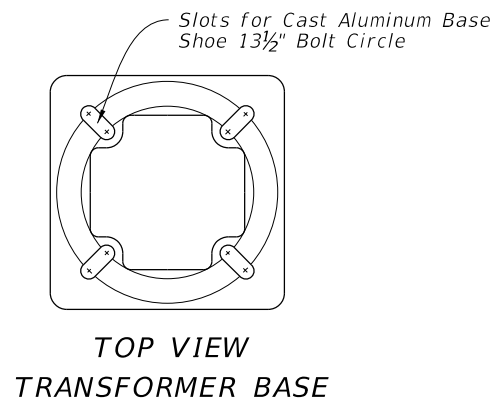
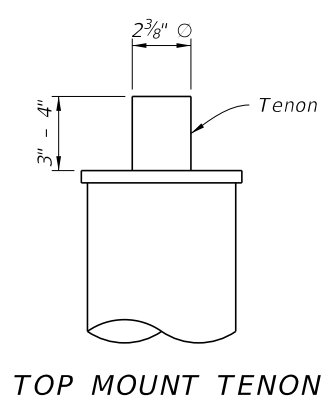
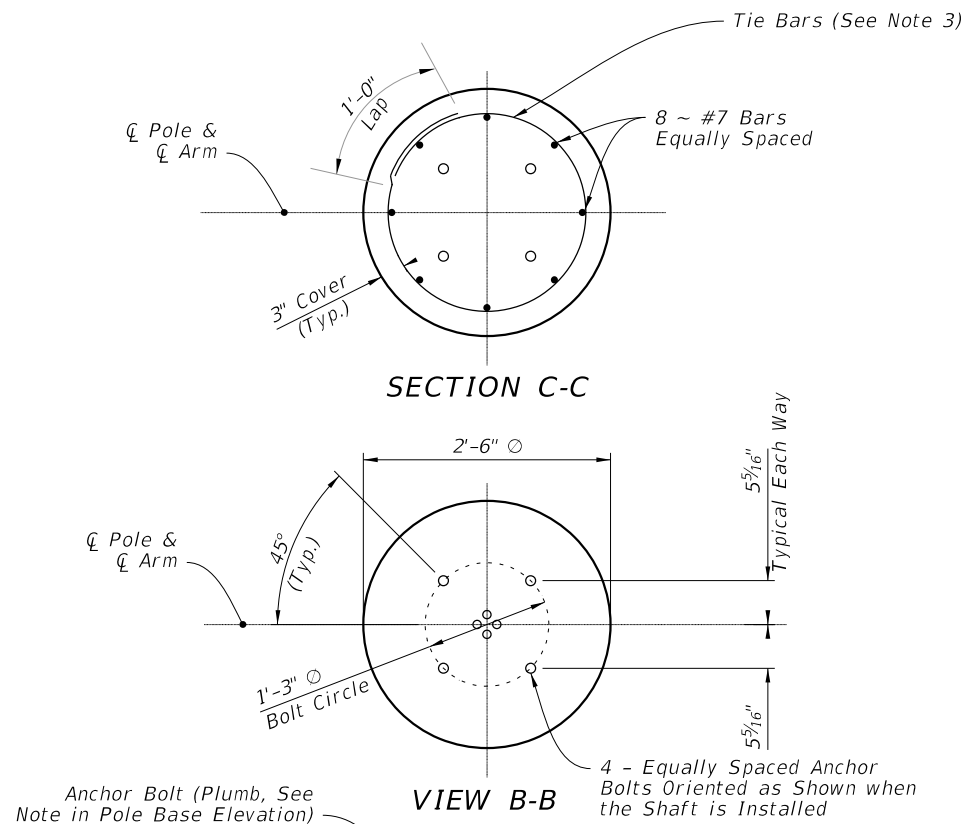
NOTES:

- At the pole connections, provide arm tube extrusions with dimensions as shown. Uniformly transition elliptical section to a cylindrical section at the arm connection.
- The fabricator may substitute elliptical cross sections other than those tabulated, provided the section properties about the vertical axis and the area of the section equal or exceed that of the required section, and provide minimum wall thickness of 1/8 inch nominal and within the Aluminum Association Tolerances.
- The outside diameter about the minor axis should be held at 2 3/8 inch at the upper and lower arms.

ARM & DAMPER DETAILS

7/9/2024 1:29:33 PM

LAST REVISION 11/01/24	DESCRIPTION:	FDOT	FY 2025-26 STANDARD PLANS	STANDARD ALUMINUM LIGHTING	INDEX 715-002	SHEET 3 of 9
---------------------------	--------------	------	------------------------------	----------------------------	------------------	-----------------



ARM-POLE TABLE					
FOR STANDARD ALUMINUM LIGHT POLES WITH ARM					
Mounting Height (Ft.)	Wind Speed and Arm Lengths (Ft.)				
	120 mph 8, 10, 12, 15	140 mph 8, 10, 12	160 mph 15	8, 10	12, 15
30	A1-P1	A1-P1	A2-P1	A1-P1	A2-P1
35				A1-P2	A2-P2
40	A1-P2	A1-P2	A2-P2	A1-P3	A2-P3
45					
50					

ARM POLE NOTES:

1. See ARM SECTION detail on Sheet 3 for all A1 and A2 Values.
2. See Pole Table for all P1, P2, and P3 values.
3. For Median Barrier Mounted Pole, Use Arm A1.
4. For 20' and 25' assembly heights use only 8' or 10' arm A1 with P0.

POLE TABLE			
Pole	Pole Wall Thickness	Top of Base Shoe Weld	Inside of Base Shoe Weld
P0	0.156	3/16"	5/32"
P1	0.156	3/16"	5/32"
P2	0.250	1/4"	1/4"
P3	0.313	5/16"	5/16"

POLE NOTES:

1. Pole wall thicknesses shown are nominal and must be within the Aluminum Association tolerances.
2. Thicker walls are permitted and tapered walls may be used in accordance with the minimum Aluminum Association thicknesses.

TOP MOUNT POLE TABLE			
FOR STANDARD ALUMINUM LIGHT POLES WITH TOP MOUNT			
Mounting Height (Ft.)	Wind Speed		
	120 mph	140 mph	160 mph
20	Pole P0	Pole P0	Pole P0
25	Pole P1	Pole P1	Pole P1
30			
35			
40	Pole P2	Pole P2	Pole P2
45			
50			

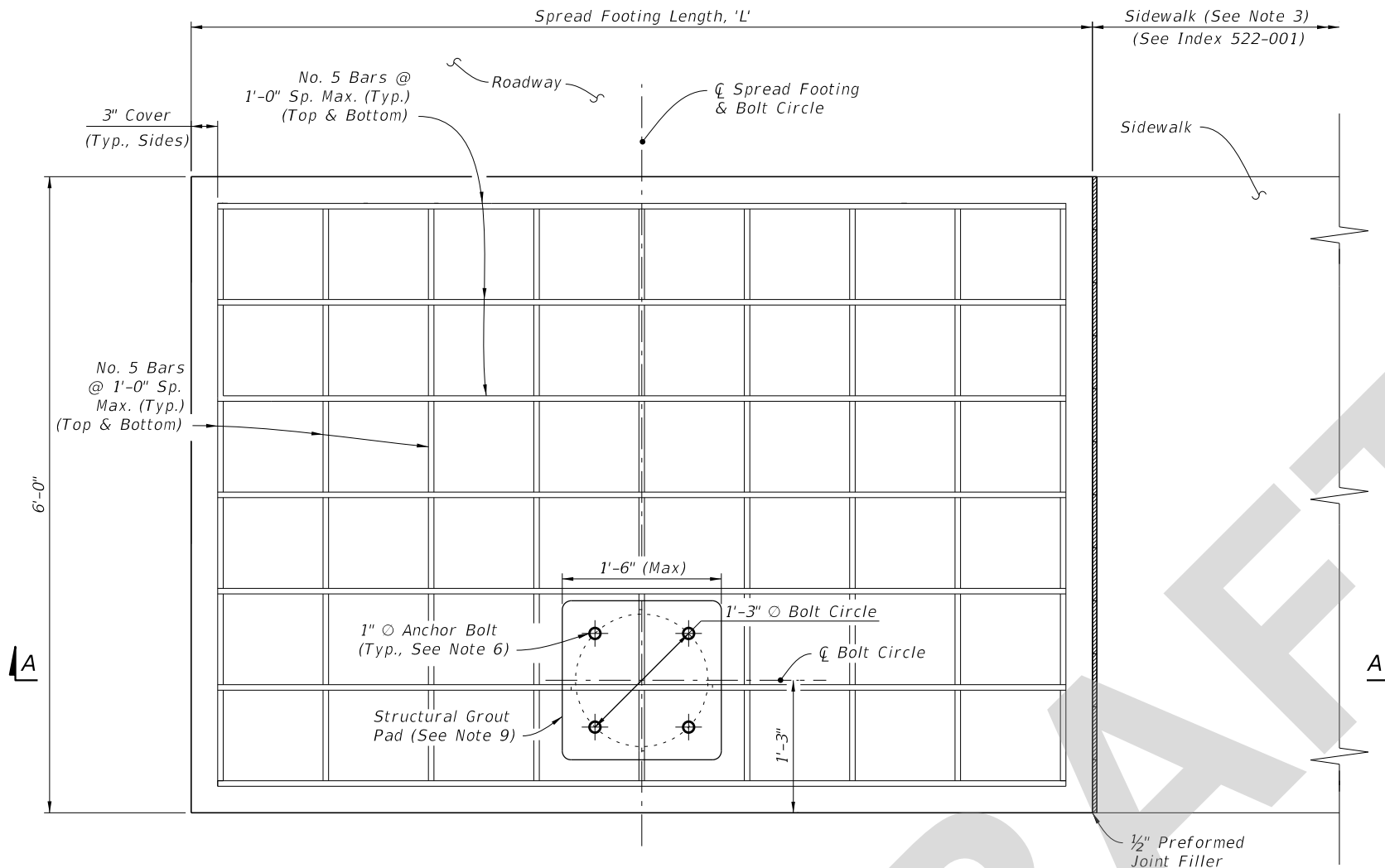
SHAFT FOUNDATION TABLE				
Pole	P0	P1	P2	P3
Depth	6'-0"	7'-0"	8'-0"	8'-0"
Bolt Min. Embedment	2'-6"	3'-6"	3'-6"	3'-6"

SHAFT FOUNDATION OPTION WITH LIGHT POLE & BASE DETAILS

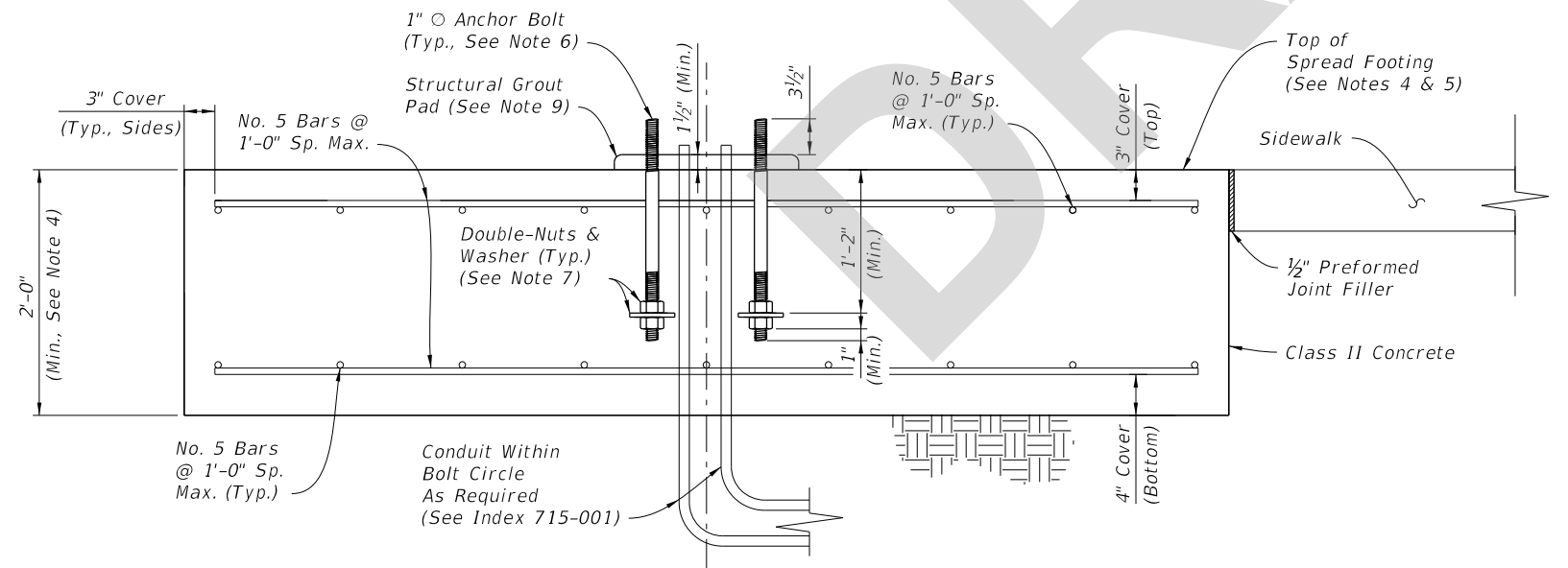
SHAFT FOUNDATION NOTES:

1. Depths shown are for slopes equal to or flatter than 1:4. For slope steeper than 1:4 and equal to or flatter than 1:2 add 2'-6" to foundation depths shown.
2. Foundation Tie Bars: #4 Tie Bars @ 12" centers (max.) or D10 (or W10) spiral @ 6" pitch, 3 flat turns top and 1 flat turn bottom.
3. For precast foundations, the circular cross section shown herein may be substituted with an octagon shape. The out-to-out distance between parallel edges of the octagon must be $\geq 2'-6"$. Use the same reinforcing diameter and centered placement with a minimum 3" cover.

7/9/2024 1:29:39 PM



PLAN - SPREAD FOOTING FOUNDATION



SECTION A-A - SPREAD FOOTING FOUNDATION ELEVATION

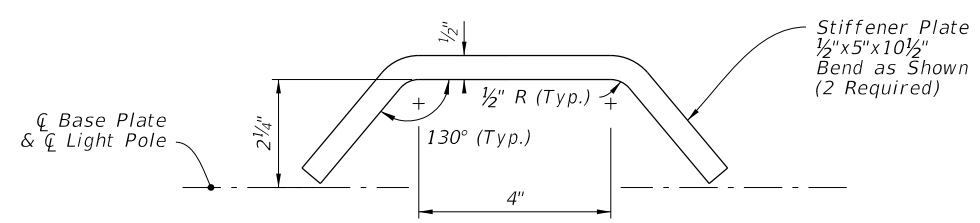
SPREAD FOOTING LENGTH, 'L'			
Mounting Height (Ft.)	Wind Speed (All Arm Lengths)		
	120 mph	140 mph	160 mph
20	4'-6"	5'-0"	6'-0"
25	4'-6"	5'-0"	6'-0"
30	7'-0"	7'-0"	7'-0"
35	7'-0"	7'-0"	7'-0"
40	7'-0"	7'-0"	10'-0"
45	8'-6"	10'-0"	10'-0"
50	8'-6"	10'-0"	11'-6"

NOTES:

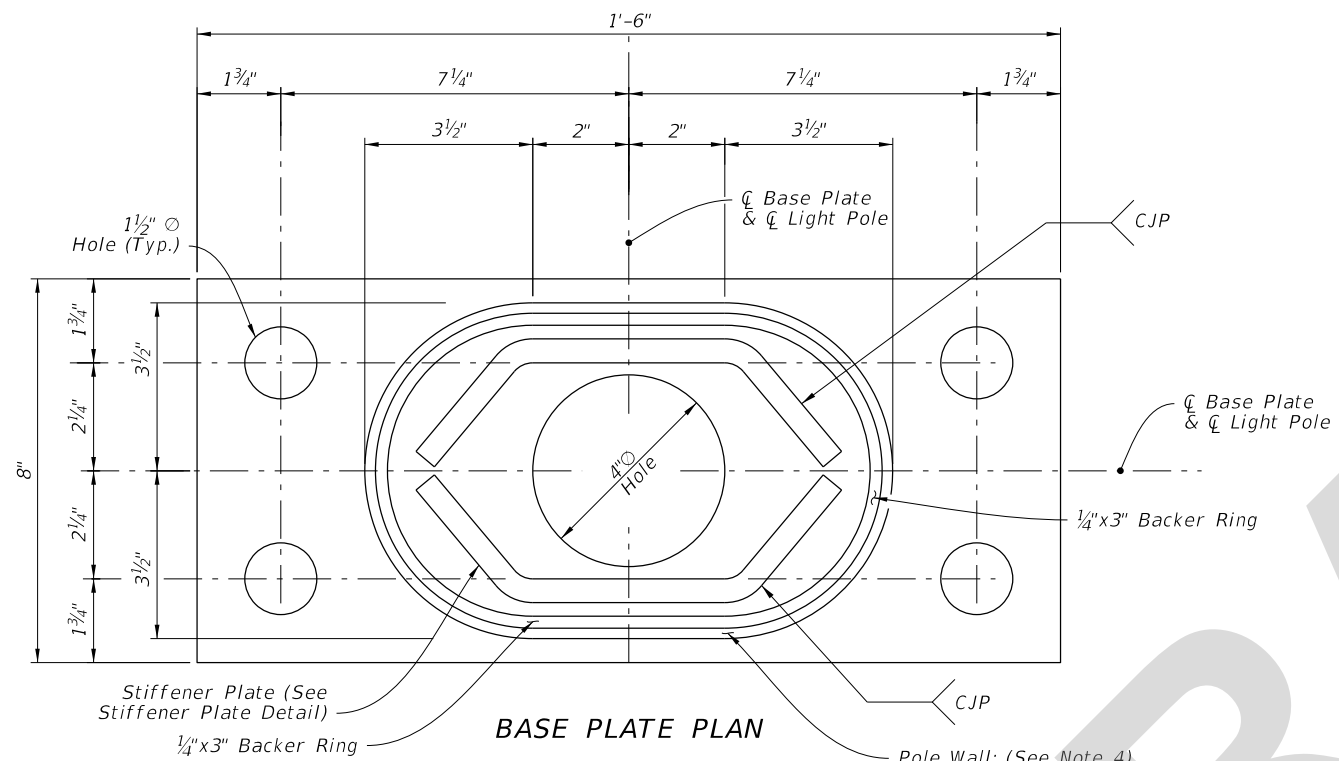
1. Install the Spread Footing Foundation Option only where called for in the Plans.
2. The Spread Footing Foundation Option is only permitted for use with single arm or top mount light poles. Where applicable, the pole arm must be oriented towards the roadway side of the footing as shown. Double arm configurations are not permitted.
3. Sidewalk placed on the other side or both sides of the spread footing is permitted where shown in the Plans. The sidewalk connection to spread footing requires the 1/2" expansion joint shown regardless of the side.
4. The top of the spread footing must match the cross slope of the adjacent sidewalk where applicable per the Plans. The nominal bottom of the spread footing must remain level.
5. Apply concrete surface finish to the top of the spread footing in accordance with Specification 522-7.
6. Mount the anchor bolts plumb. For the corresponding pole base details, see Sheet 4.
7. Place galvanized or zinc-plated steel washers with a minimum thickness of 1/4". Use washers with a minimum size of 3 1/2" O round or 3"x3" square.
8. Where raised curb is called for in the Plans, provide a tooled cold joint with bond breaker between the foundation and back of raised curb. See Sheet 2 and the connection between concrete sidewalk and raised curb per Index 522-001.
9. Place a structural grout pad in accordance with Specification 934. The grout pad is square and centered on the bolt circle centerlines. Level the top of the grout pad and smooth the edges and corners per the approval of the Engineer. Install the transformer base in accordance with Sheet 4 and the manufacturer's specifications.

SPREAD FOOTING FOUNDATION OPTION

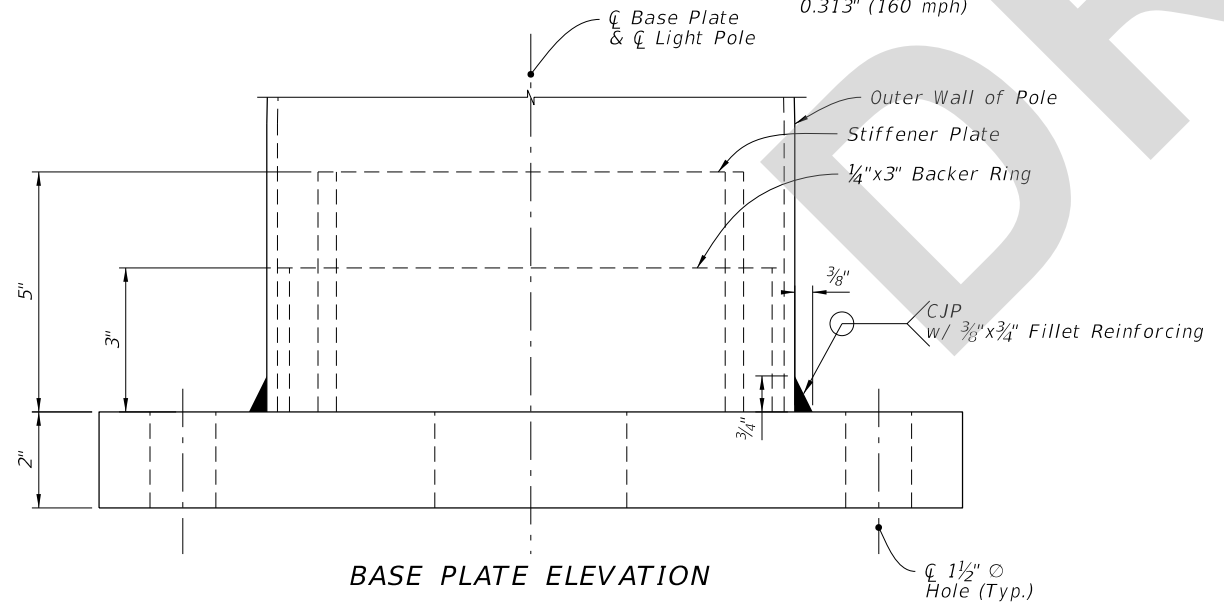
8/23/2024 12:03:04 PM



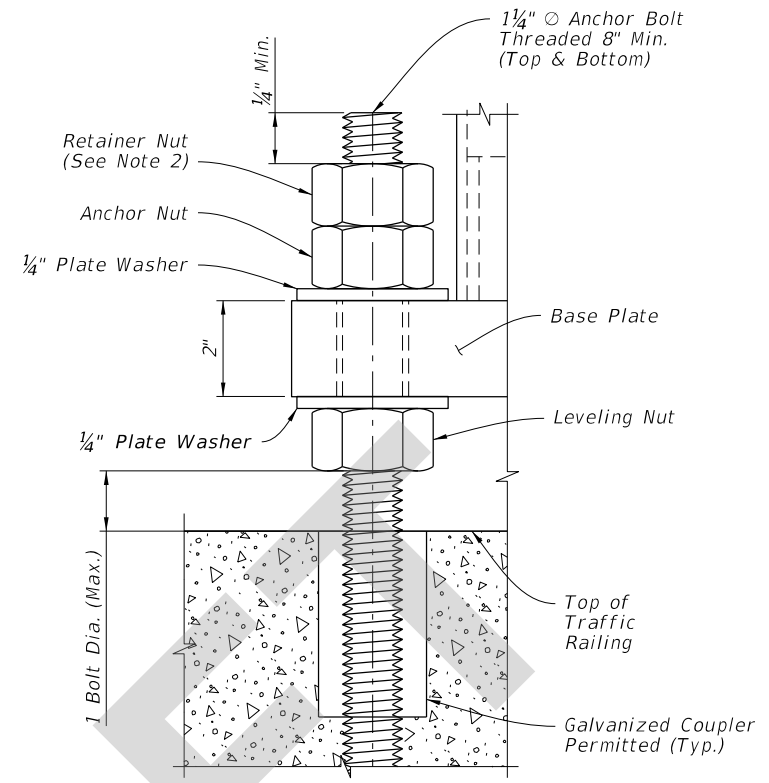
STIFFENER PLATE DETAIL



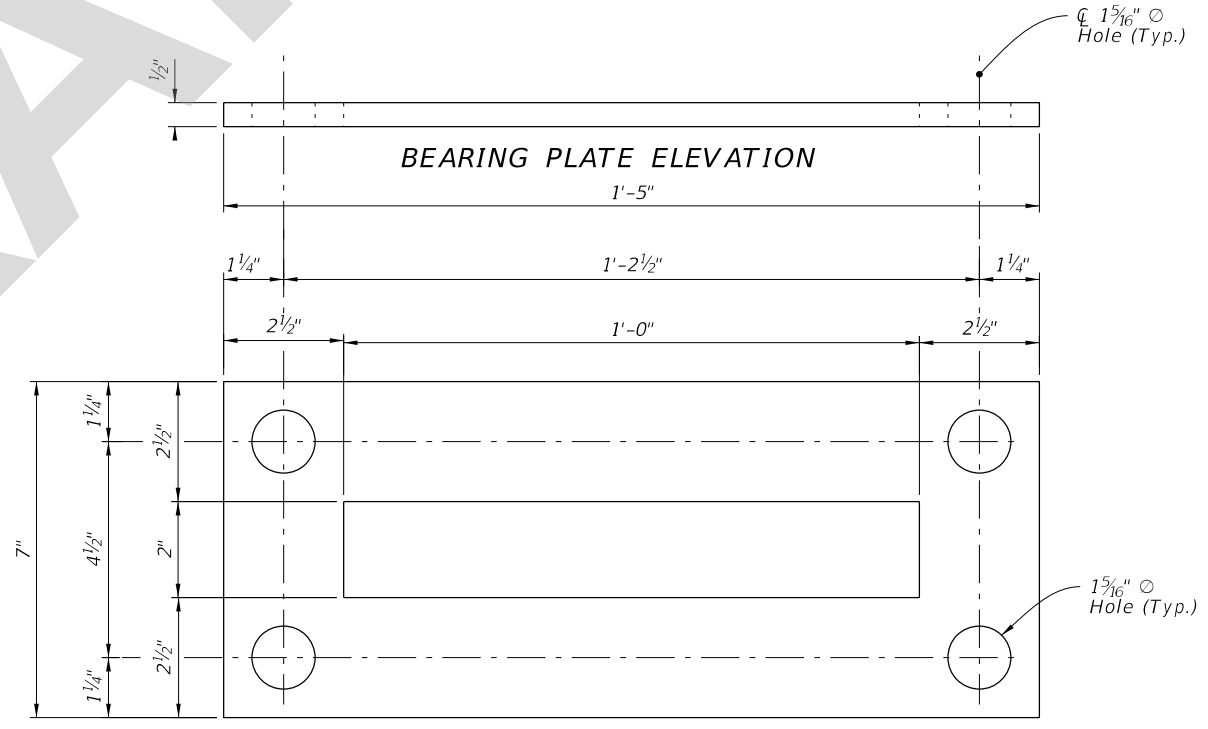
BASE PLATE PLAN



BASE PLATE ELEVATION



DETAIL 'A'



BEARING PLATE ELEVATION


BEARING PLATE PLAN

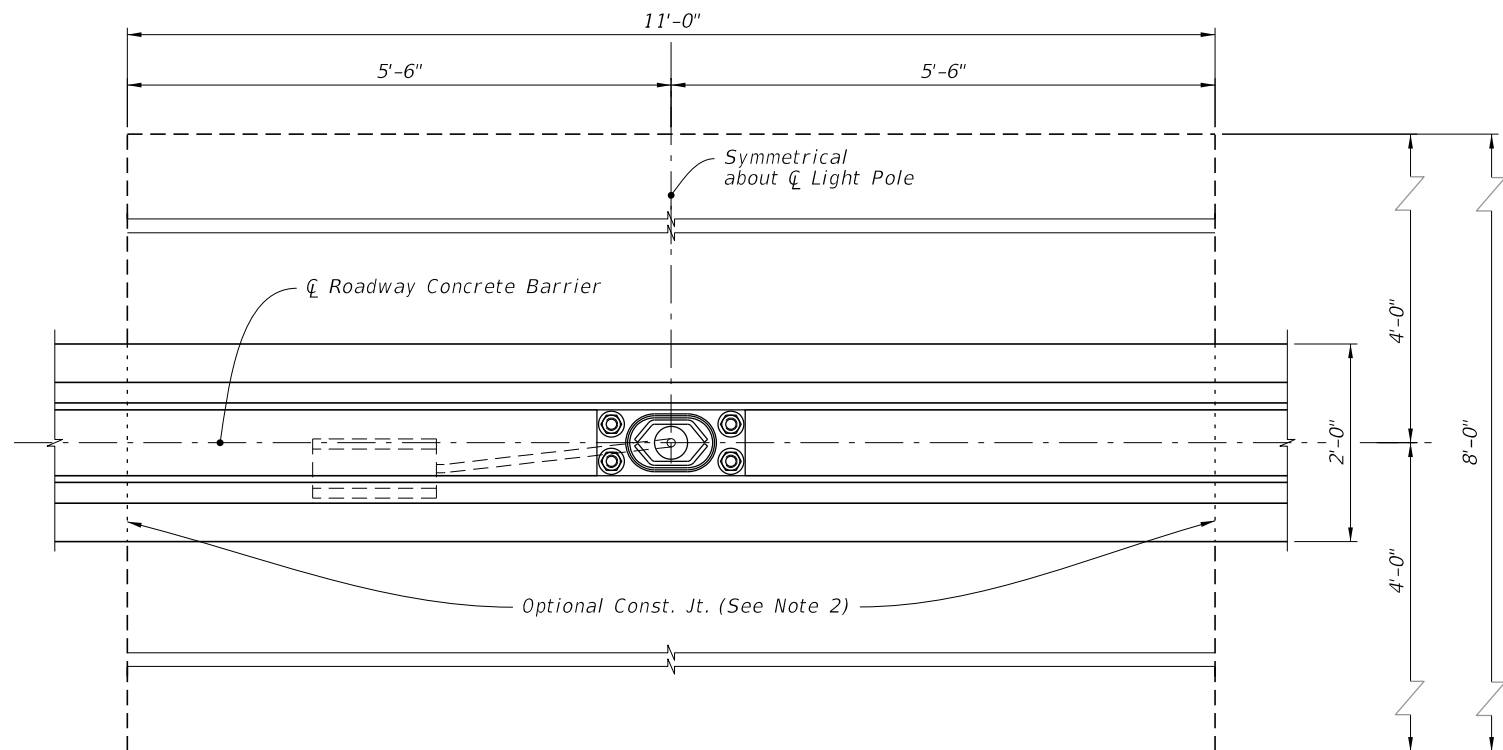
NOTES:

1. For locations of Bearing Plates, Base Plates and Detail 'A' see Sheets 7 thru 9.
2. The retainer nut may be substituted by a half-height nut.
3. Provide individual nut covers (not shown) for each bolt.
4. Pole wall thicknesses shown are nominal and shall be within the Aluminum Association Tolerances. Thicker walls are permitted and tapered walls may be used in accordance with the minimum Aluminum Association thicknesses.

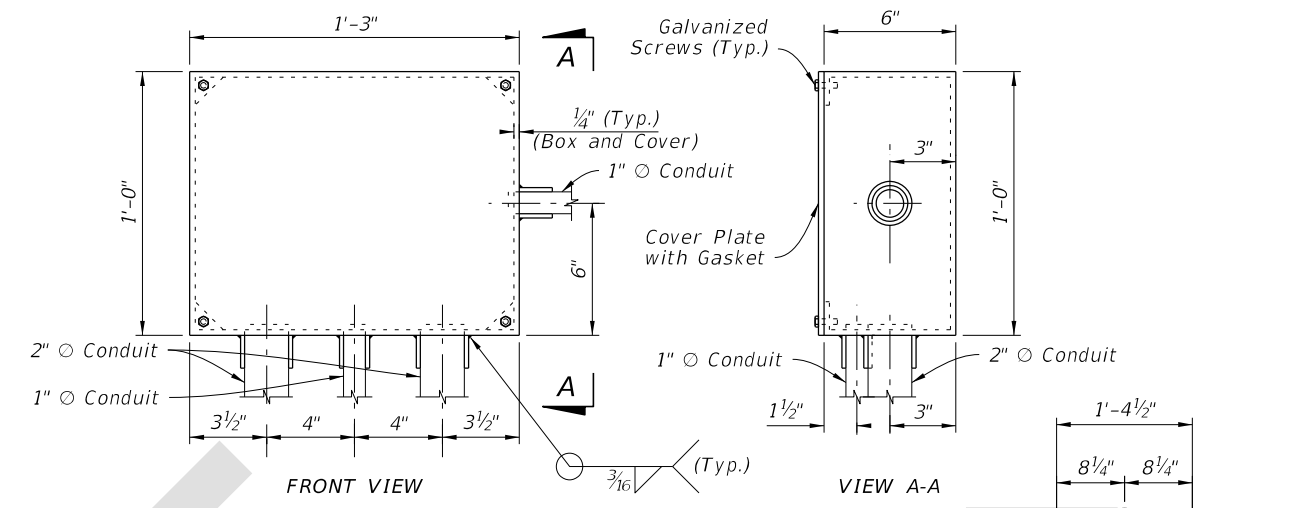
BASE PLATE DETAILS FOR MEDIAN BARRIER MOUNTED ALUMINUM LIGHT POLE

8/15/2024 1:17:25 PM

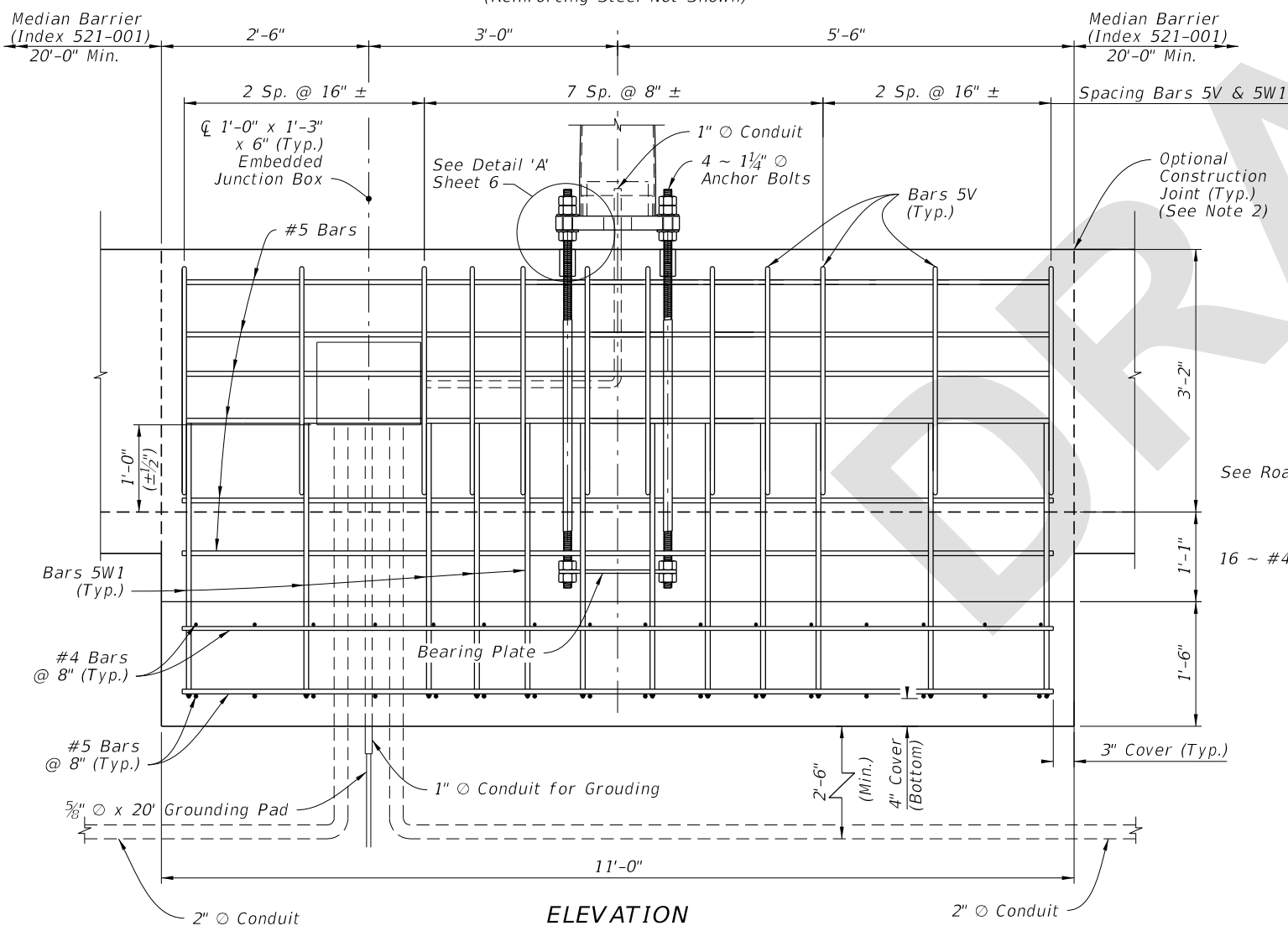
LAST REVISION	11/01/24	DESCRIPTION:	 FY 2025-26 STANDARD PLANS	STANDARD ALUMINUM LIGHTING	INDEX	SHEET
					715-002	6 of 9



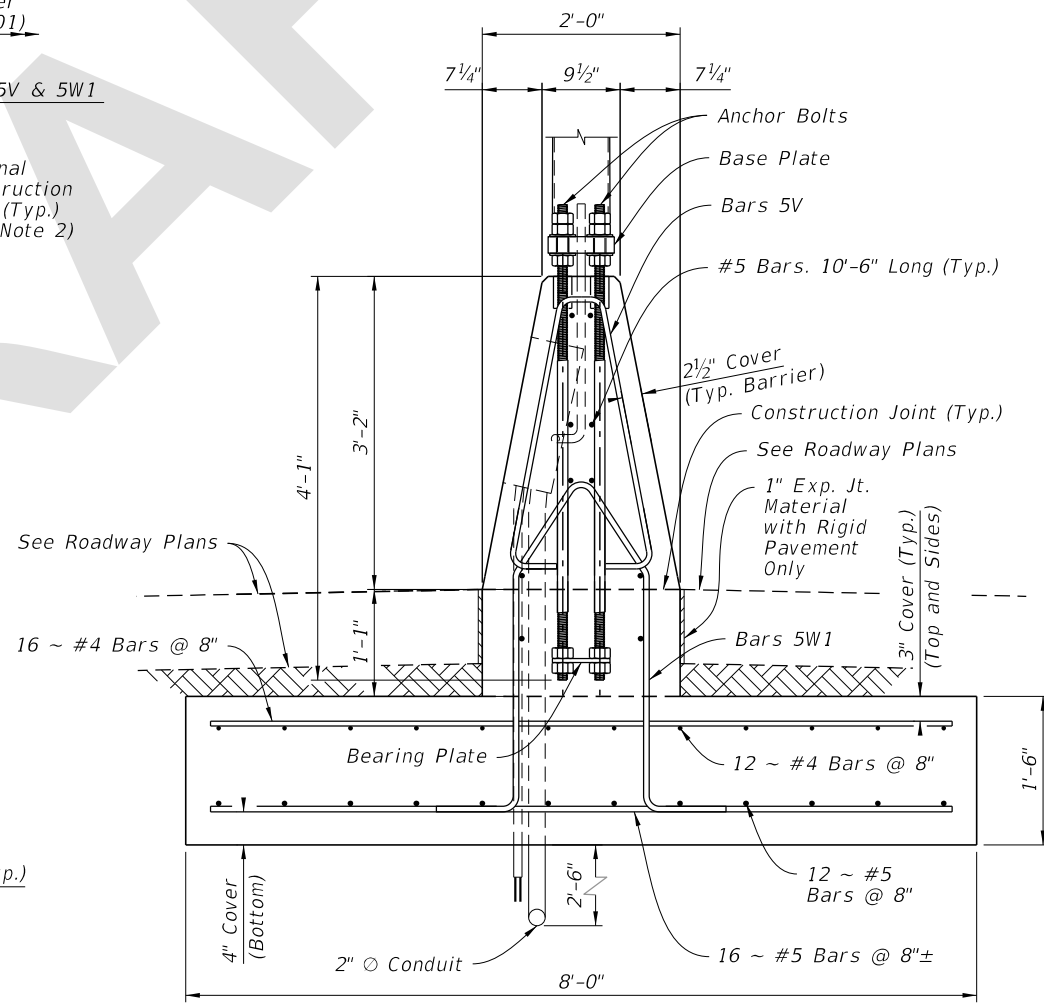
Plan
(Reinforcing Steel Not Shown)



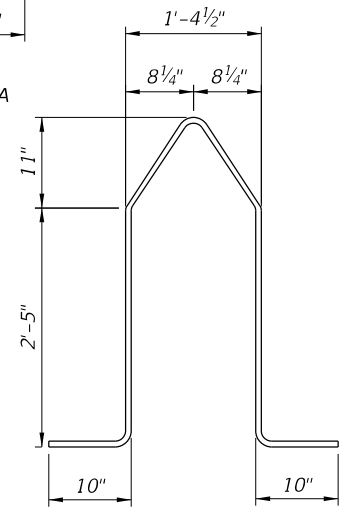
EMBEDDED JUNCTION BOX DETAILS



ELEVATION



END VIEW



BAR 5W1

BAR 5V

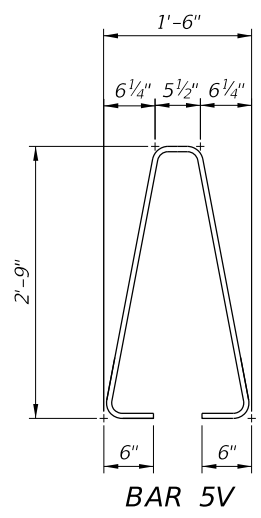
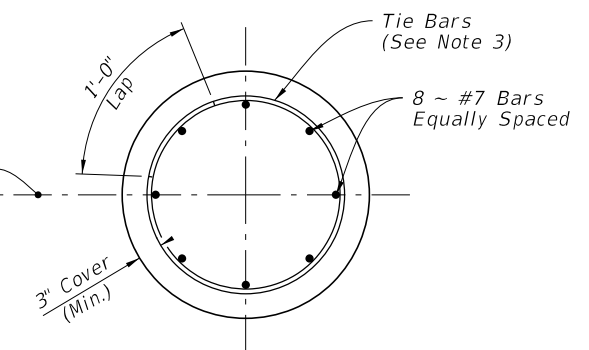
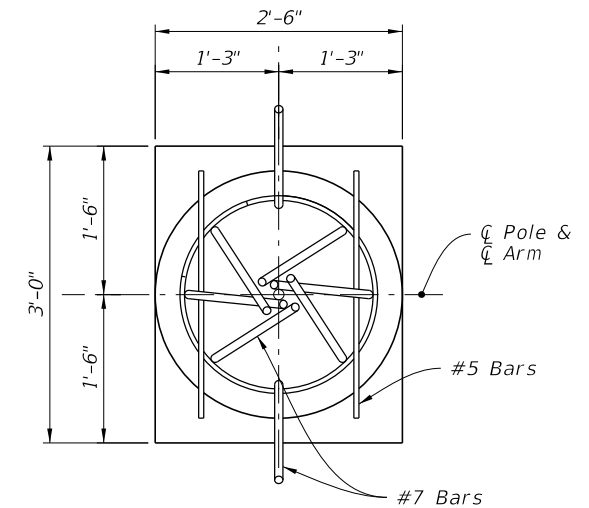
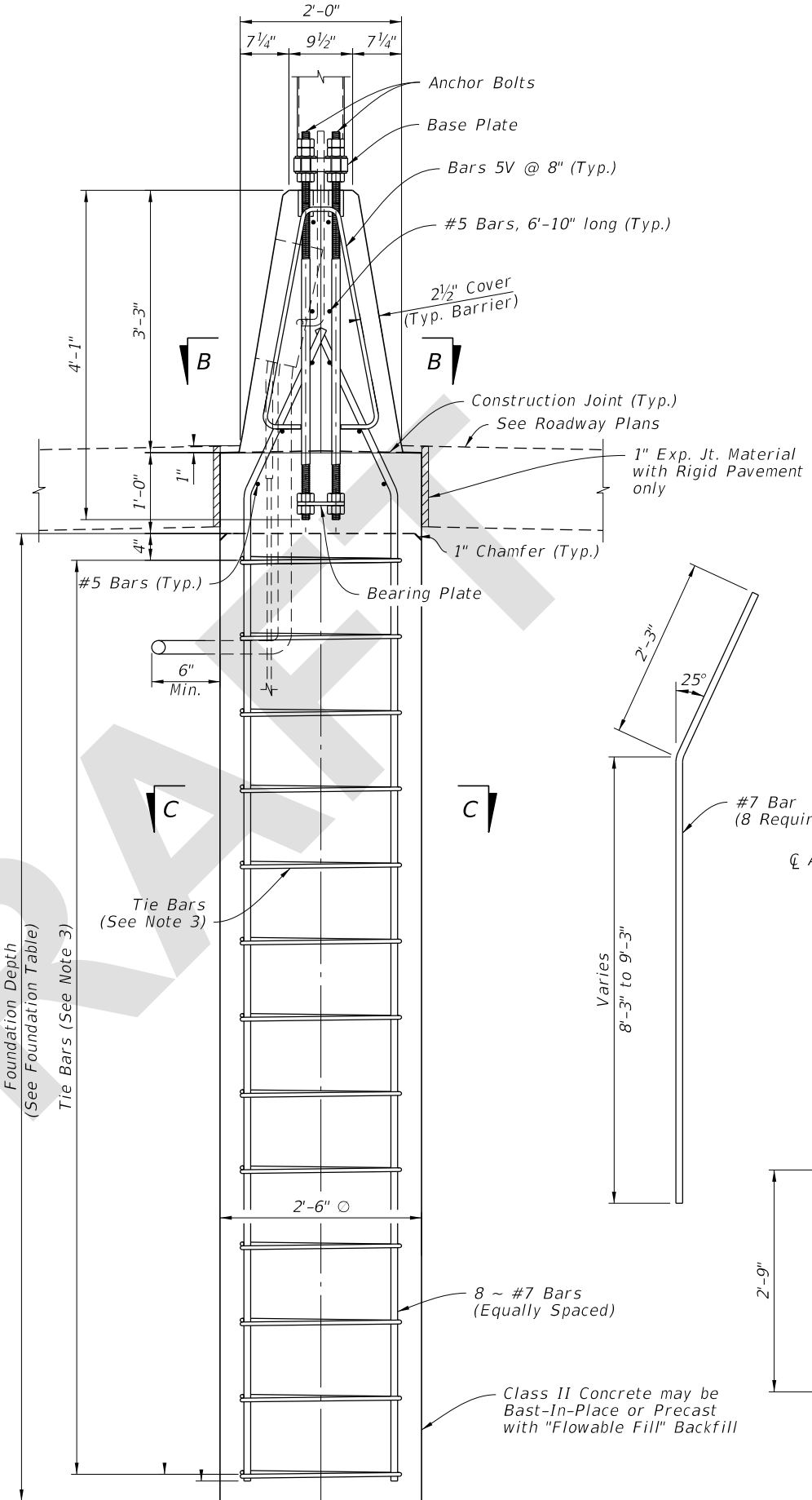
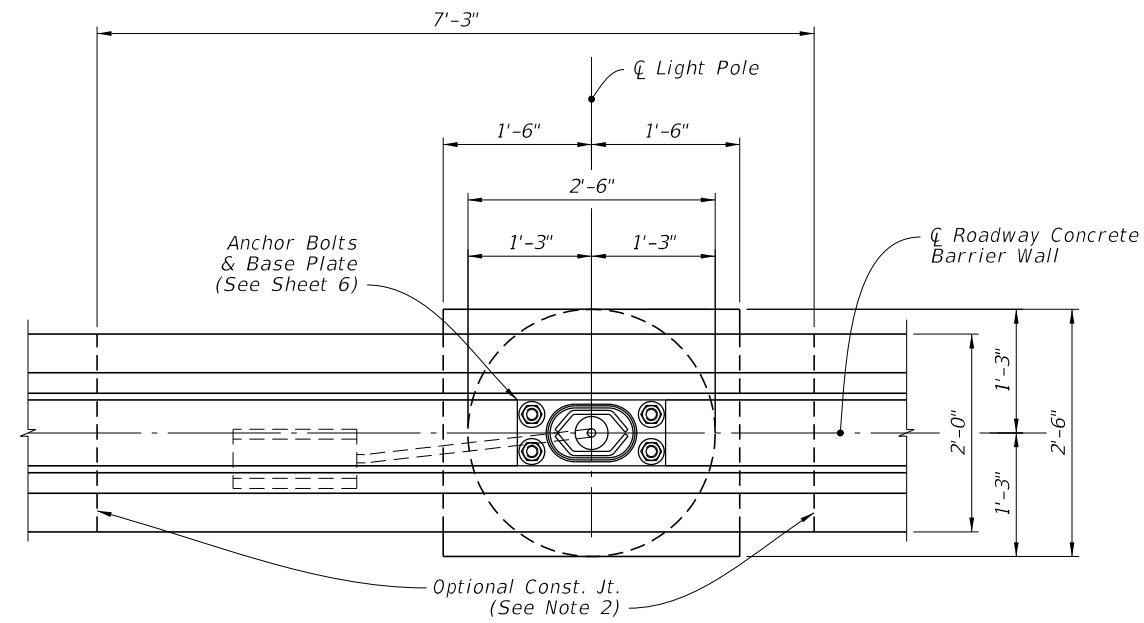
- NOTES:**
1. For Bearing Plate and Base Plate Details, see Sheet 6.
 2. For connections to adjacent Median Barrier, use the Doweled Joint detail per Index 521-001. Alternatively, a continuous concrete pour or a construction joint may be substituted; these alternatives require the Median Barrier's longitudinal steel to lap a minimum of 2'-0" with the longitudinal steel shown herein.

SPREAD FOOTING DETAILS FOR MEDIAN BARRIER MOUNTED ALUMINUM LIGHT POLE

7/9/2024 1:29:52 PM

LAST REVISION 11/01/24	DESCRIPTION:		FY 2025-26 STANDARD PLANS	STANDARD ALUMINUM LIGHTING	INDEX	SHEET
					715-002	7 of 9

FOUNDATION TABLE		
WIND SPEED (MPH)	DESIGN MOUNTING HEIGHT (FT)	FOUNDATION DEPTH (FT)
120	40	8
140	40	9
160	40	9

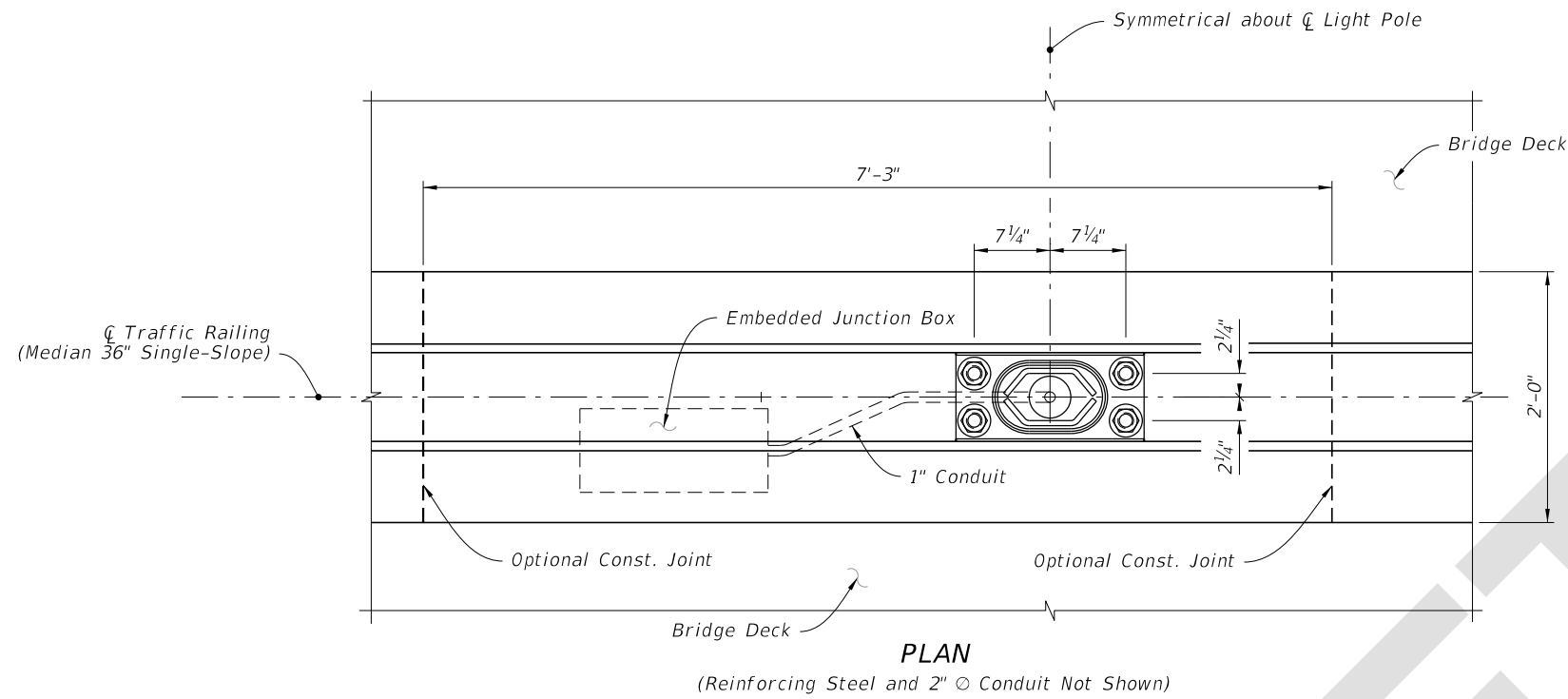


- NOTES:**
- For Bearing Plate and Base Plate Details, see Sheet 6.
 - For connections to adjacent Median Barrier, use the Doweled Joint detail per Index 521-001. Alternatively, a continuous concrete pour or a construction joint may be substituted; these alternatives require the Median Barrier's longitudinal steel to lap a minimum of 2'-0" with the longitudinal steel shown herein.
 - #4 Tie Bars @ 12" centers (max.) or D10 (or W10) spiral @ 6" pitch, 3 flat turns top and 1 flat turn bottom.

CYLINDRICAL FOUNDATION DETAILS FOR MEDIAN BARRIER MOUNTED ALUMINUM LIGHT POLE

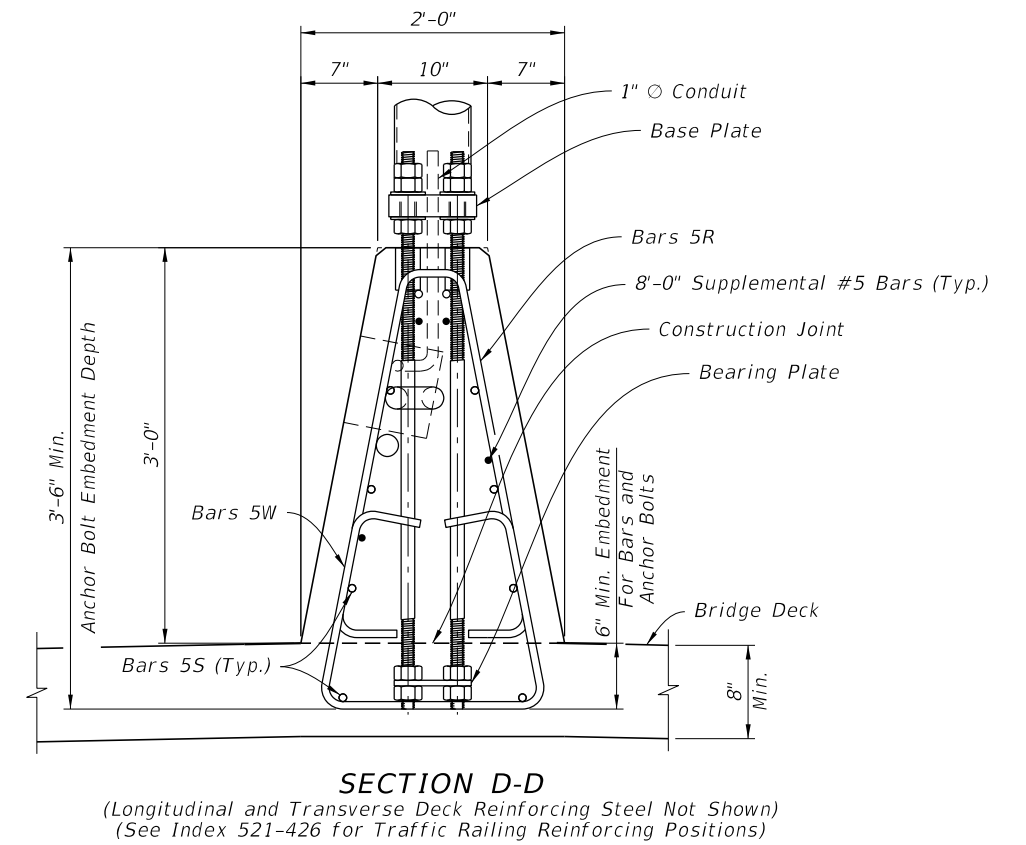
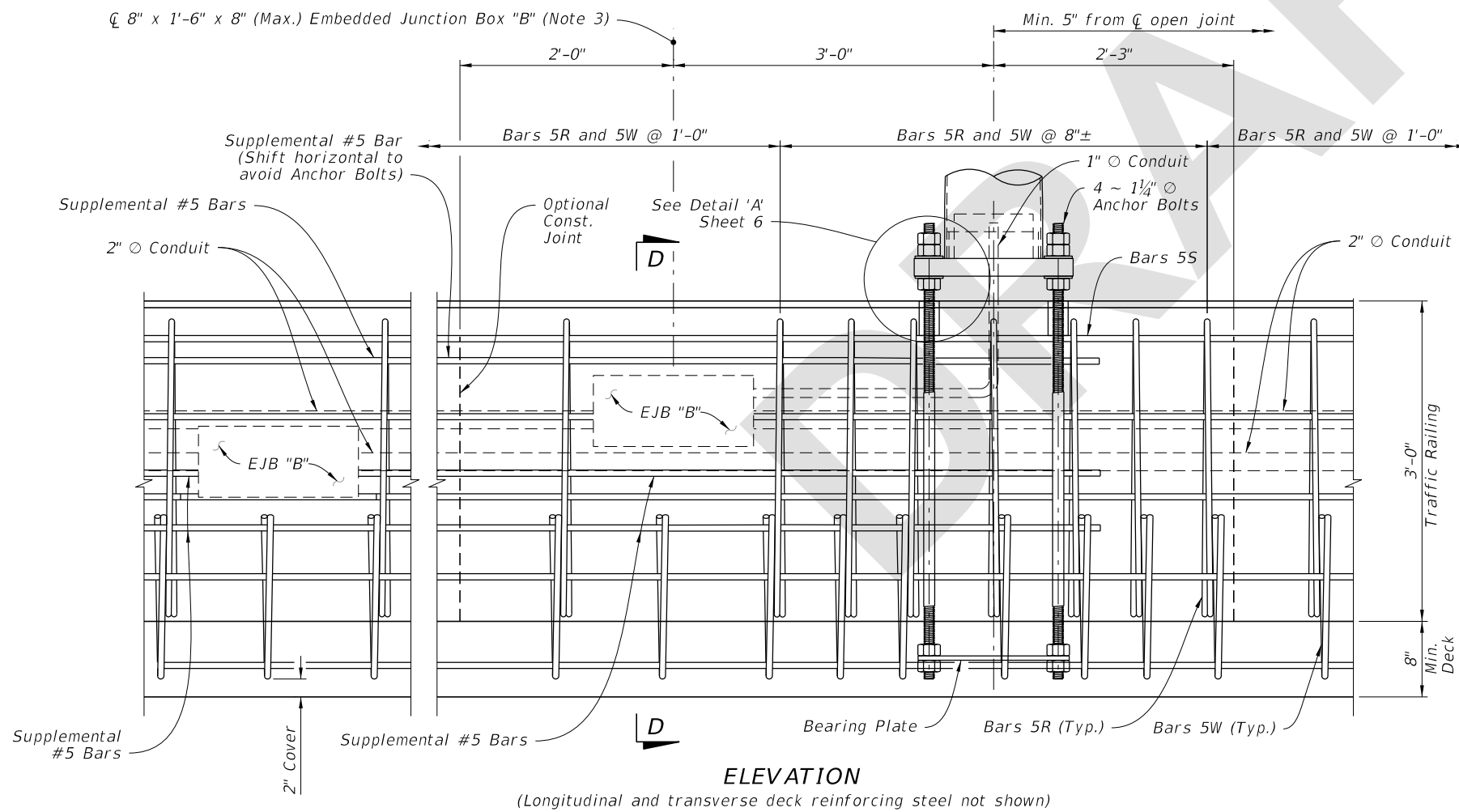
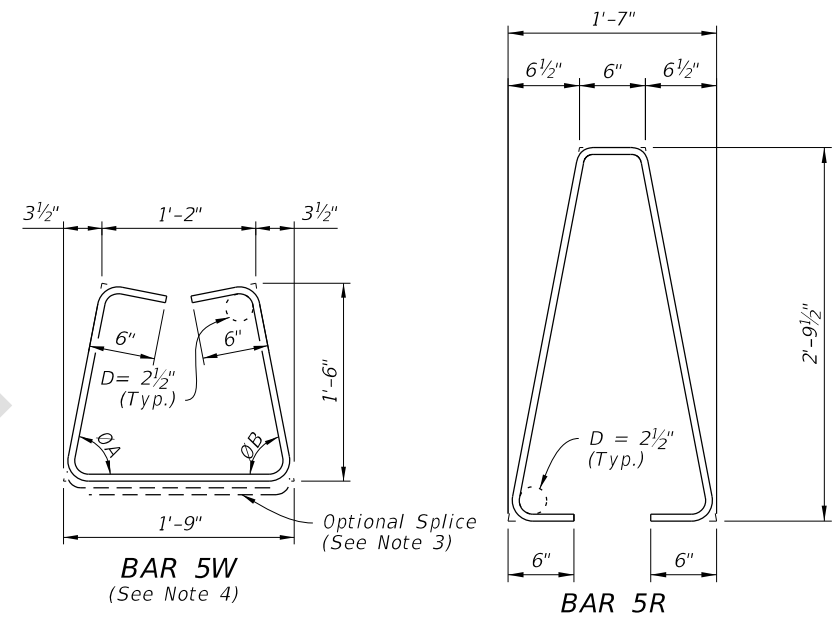
7/9/2024 1:29:57 PM

LAST REVISION 11/01/24	DESCRIPTION:		FY 2025-26 STANDARD PLANS	STANDARD ALUMINUM LIGHTING	INDEX	SHEET
			715-002		8 of 9	



NOTES:

1. For Base Plate Details, Bearing Plate Details, and Detail 'A', see Sheet 6.
2. See Index 521-426 for details of adjacent Traffic Railing (Median 36" Single-Slope) and for angles $\varnothing A$ and $\varnothing B$.
3. See Index 630-010 for Conduit, EJB and supplemental reinforcing details.
4. At the Contractor's option, Bars 5W may be fabricated as a two piece bar with a 1'-2" lap splice at the bottom legs.



DETAILS FOR TRAFFIC RAILING (MEDIAN 36" SINGLE-SLOPE) MOUNTED ALUMINUM LIGHT POLE

7/9/2024 1:30:02 PM

LAST REVISION 11/01/24	REVISION	DESCRIPTION:	 FY 2025-26 STANDARD PLANS	STANDARD ALUMINUM LIGHTING	INDEX 715-002	SHEET 9 of 9
---------------------------	----------	--------------	----------------------------------	----------------------------	------------------	-----------------