

Origination Form

Proposed Revisions to a Standard Plans Index

| | | | |
|--------------------|------------------------------|-------------------------|-------------------------------------|
| Originator: | Meyer, Ronald | Index Number: | 700-120 |
| Date: | 6/5/2024 1:55:54 PM | Sheet Number(s): | 7, 8, 10, 13, 14 |
| E-mail: | Ronald.Meyer@dot.state.fl.us | Index Title: | ENHANCED HIGHWAY SIGNING ASSEMBLIES |

Summary of the changes:

All Sheets: Renumbered Sheets
 Sheets 9-14: Renumbered Roadside Sign Assembly.
 Sheet 7: Deleted Sheet per 11th Edition MUTCD, Section 2A.12.
 Sheet 8: Deleted Sheet per 11th Edition MUTCD, Section 2A.12.
 Sheet 10: Added LEDs in the middle of each sign edge, for a total of 8 LEDs.
 Sheet 13: Added LEDs in the middle of each sign edge, for a total of 8 LEDs.
 Sheet 14: Added LEDs in the middle of each sign edge, for a total of 16 LEDs.

Commentary/Background:

Sheets 7 and 8: The 11th Edition MUTCD, Section 2A.12 (12) states:Flashing LED units shall not be used within the legend or border of a Speed Limit sign to indicate that the displayed speed limit is in effect.

Sheet 10, 13, and 14: Where LED units are used along the edge of a sign, at least one LED unit shall be placed along each edge of the sign, in addition to one LED unit at each corner of the sign, so that the distinct outline of the sign shape is recognized under nighttime viewing conditions. The LED units along each side of the sign shall be spaced approximately equidistantly. For a circular sign shape, the number of LED units shall clearly form the appearance of a circle and not be perceived as some other shape.

| Other Affected Documents/Offices | Person Contacted | Affected (Yes/No) |
|----------------------------------|-------------------|-------------------|
| Other Standard Plans | | No |
| FDOT Design Manual | | No |
| Standard Specifications | Daniel Strickland | Yes |
| Basis of Estimates Manual | | No |
| Approved Product List | Melissa Hollis | Yes |
| Construction Office | | No |
| Maintenance Office | | No |

Implementation

["FY-Standard Plans (Next Release)"]

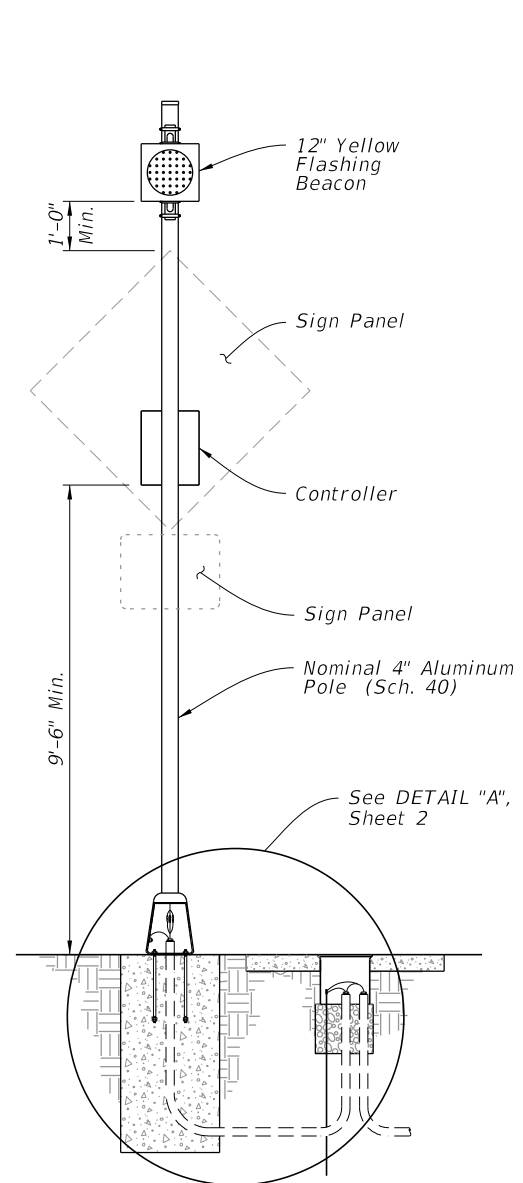
| TABLE OF CONTENTS: | |
|--------------------|--|
| Sheet | Description |
| 1 | General Notes and Contents |
| 2 | Conduit, Wiring, and Foundation Details |
| 3 | Spread Footing Foundation |
| 4 | Roadside Sign Assembly-1 |
| 5 | Roadside Sign Assembly-2 |
| 6 | Roadside Sign Assembly-3 |
| 7 | Roadside Sign Assembly-4 |
| 8 | Roadside Sign Assembly-5 |
| 9 | Roadside Sign Assembly-6 Renumbered |
| 10 | Roadside Sign Assembly-7 |
| 11 | Roadside Sign Assembly-8 |
| 12 | Roadside Sign Assembly-9 |
| 13 | Roadside Sign Assembly-10 |
| 14 | Roadside Sign Assembly-11 |
| 15 | Overhead Sign Assembly |

GENERAL NOTES:

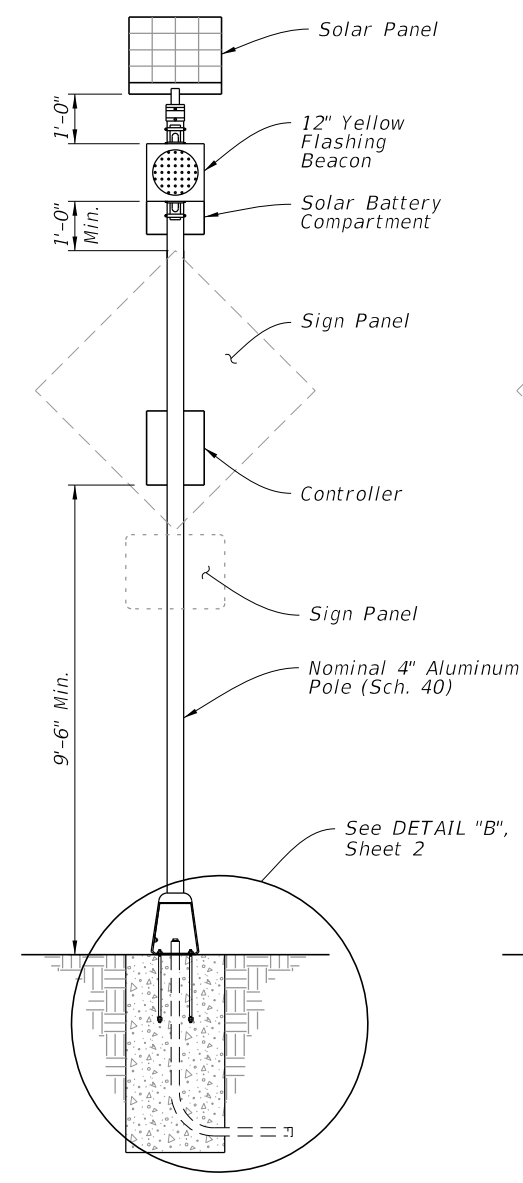
1. Meet the requirements of Specifications 646 and 700.
2. Engage all threads on the transformer base and post unless the aluminum post is fully seated into base.
3. Install a concrete slab around all roadside assemblies on slopes 6:1 or greater. The minimum slab dimension is 6" by 4'-0" by 5'-0".
4. When wire entry holes are drilled in the sign column, use a bushing or rubber grommet to protect conductors.

POWER CONFIGURATION 'B' NOTES:

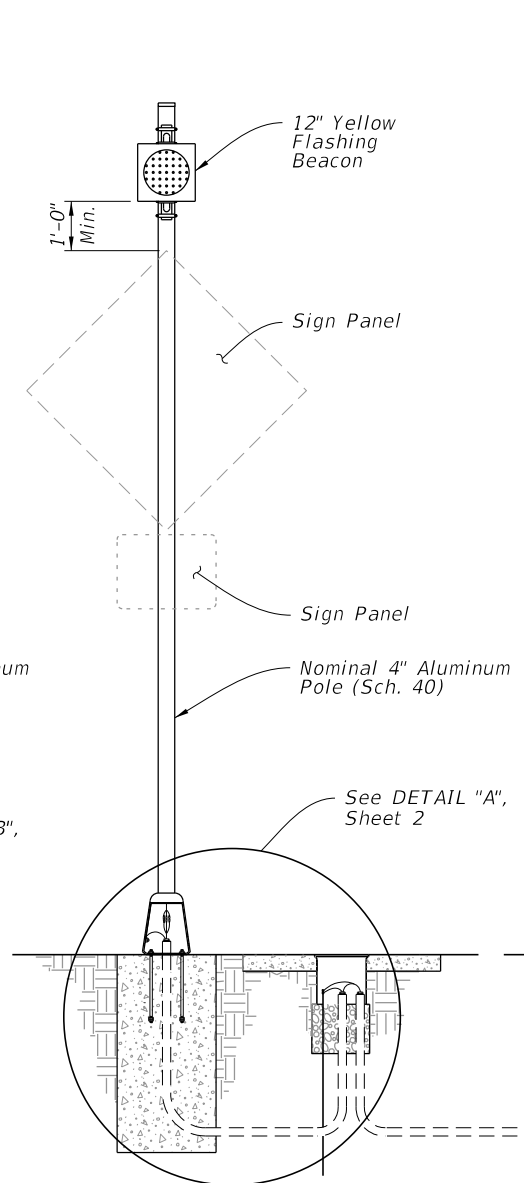
1. Install a separate pole for mounting the solar panel, controller and batteries for all roadside assemblies with solar panels, controllers and batteries weighing more than 170 lbs.
2. Install the auxiliary pole as close to the right of way boundary as possible.
3. Install the auxiliary pole so that the height is the same as the column for the roadside assembly.
4. Orient solar panel to face South for optimal exposure to sunlight.
5. The controller and the solar batteries may be located in the same compartment.



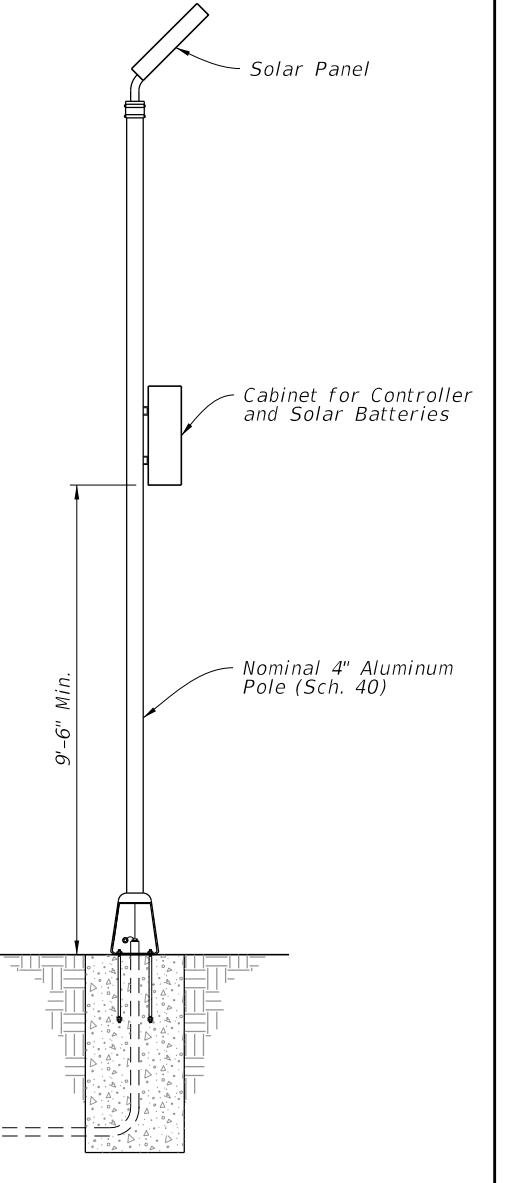
FRONT ELEVATION
POWER CONFIGURATION 'A'
 CONVENTIONALLY POWERED
 (Type A1 Shown)



FRONT ELEVATION
 WITHOUT AUXILIARY POLE
POWER CONFIGURATION 'B'
 SOLAR POWERED
 (Type B1 Shown)



SIGN ASSEMBLY FRONT ELEVATION
 WITH AUXILIARY POLE
POWER CONFIGURATION 'B'
 SOLAR POWERED
 (Type B1 Shown)



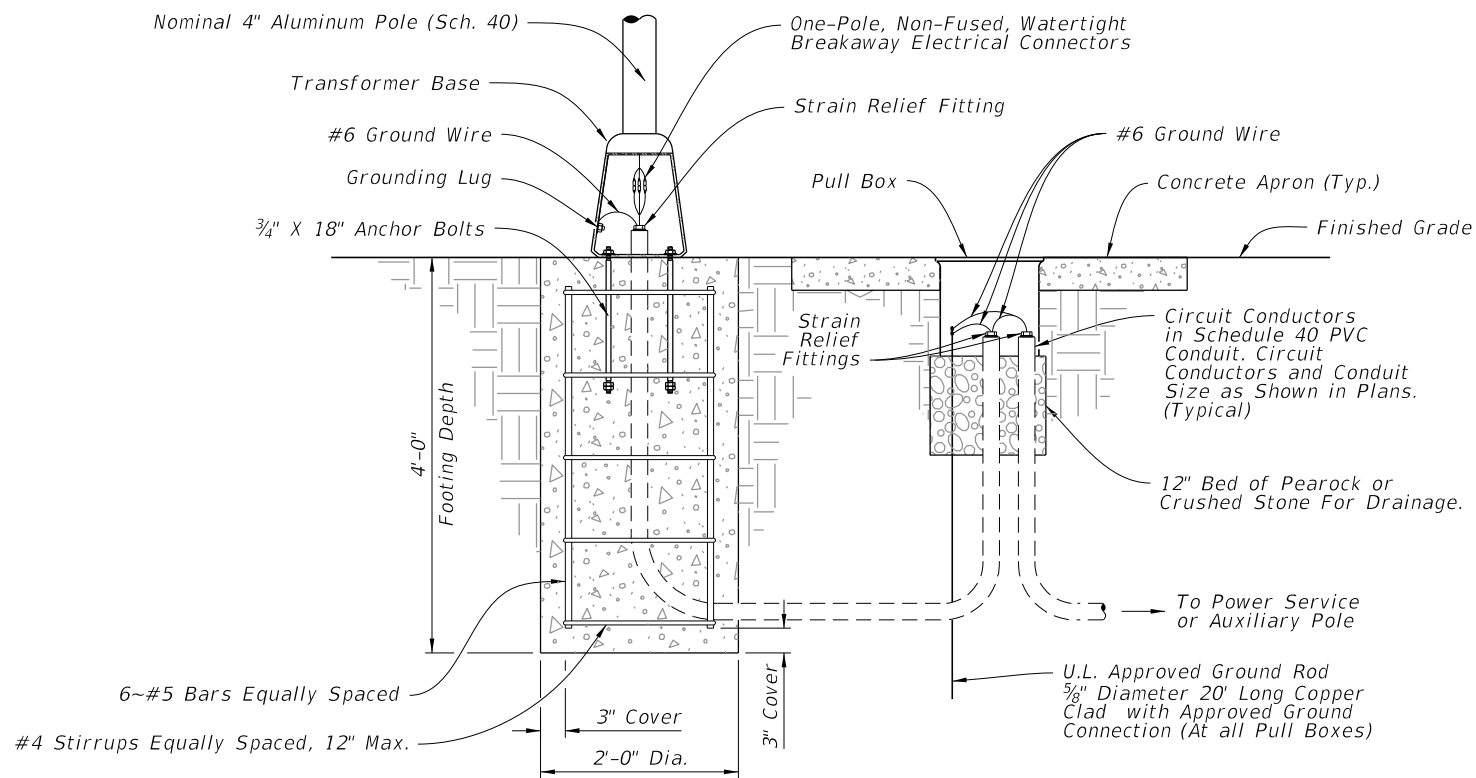
AUXILIARY POLE ELEVATION
POWER CONFIGURATION 'B'
 SOLAR POWERED
 (Type B1 Shown)

10/3/2023 3:17:37 PM

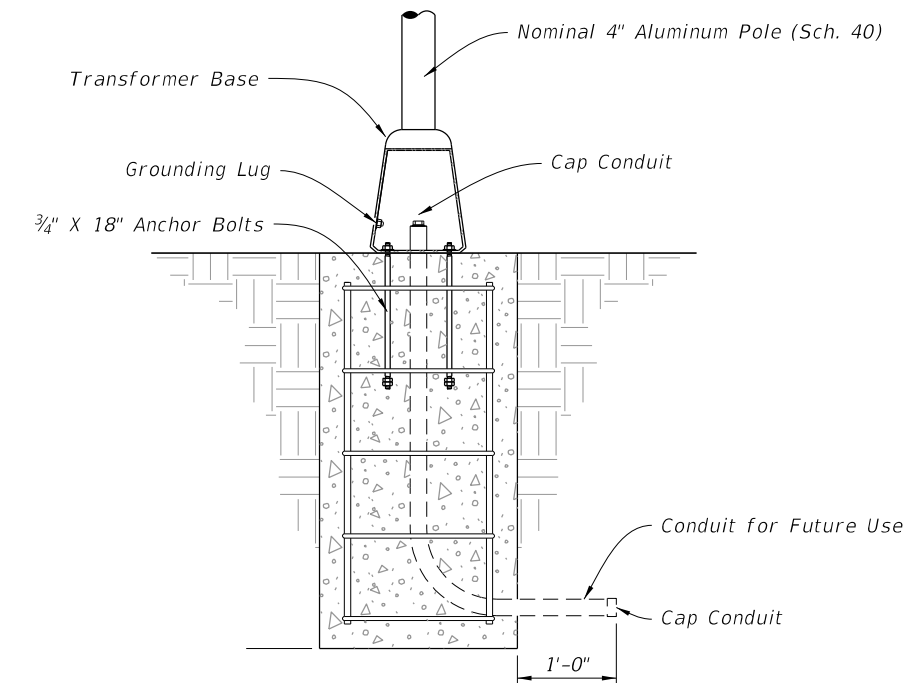
| LAST REVISION | DESCRIPTION: |
|---------------------|--------------|
| 11/01/23 | |
| 11/01/24 | |

13

10/3/2023 3:17:44 PM



DETAIL "A"



DETAIL "B"

13
CONDUIT, WIRING, AND FOUNDATION DETAILS

| LAST REVISION | DESCRIPTION: |
|---------------|--------------|
| 11/01/23 | |
| 11/01/24 | |

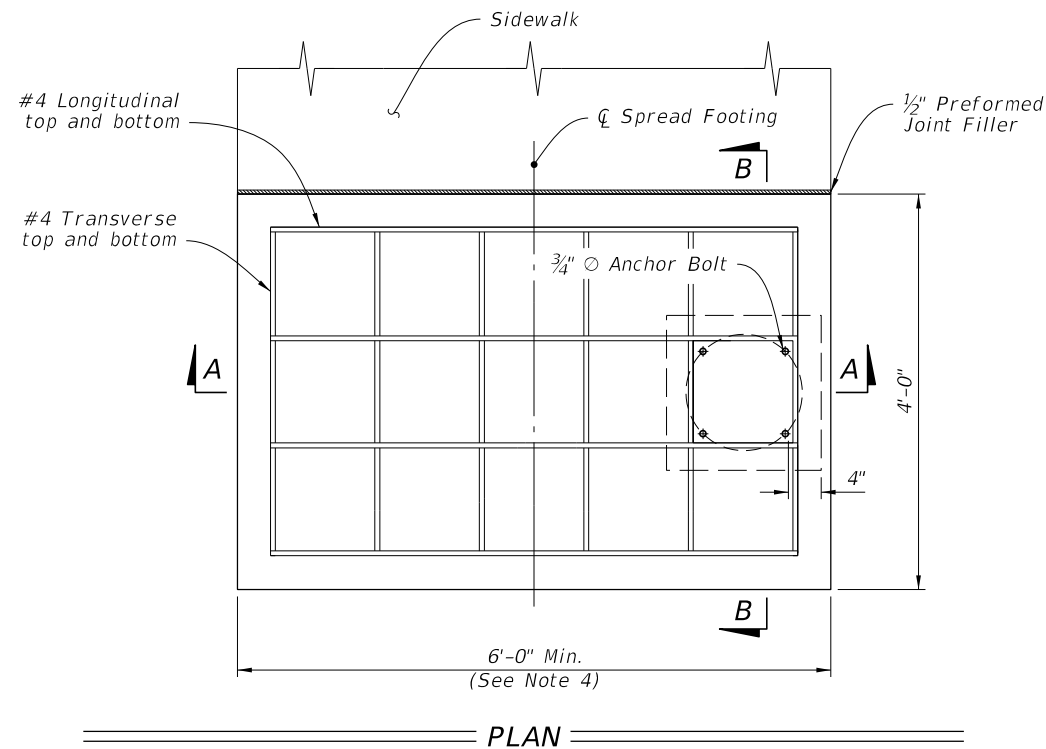


FY 2024-25
STANDARD PLANS

ENHANCED HIGHWAY SIGNING ASSEMBLIES

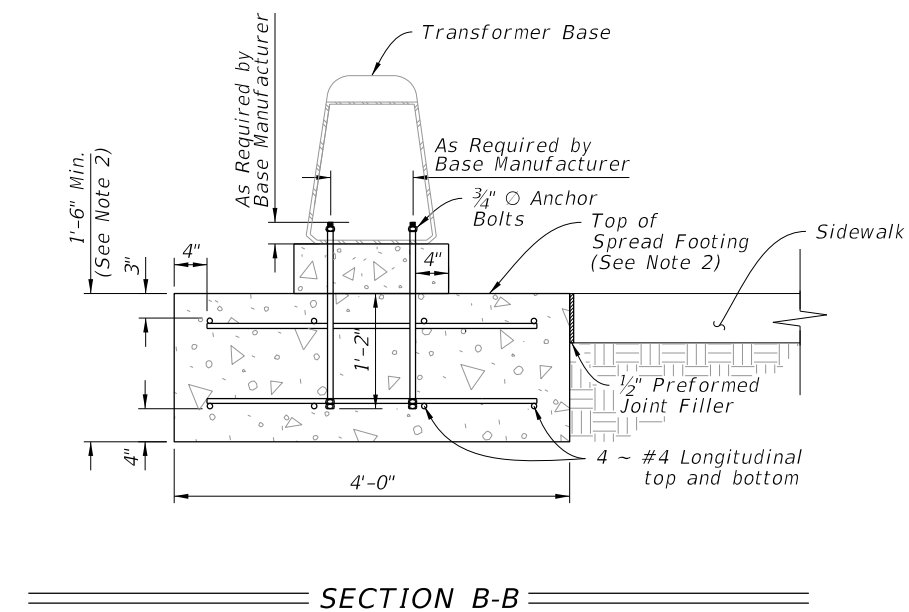
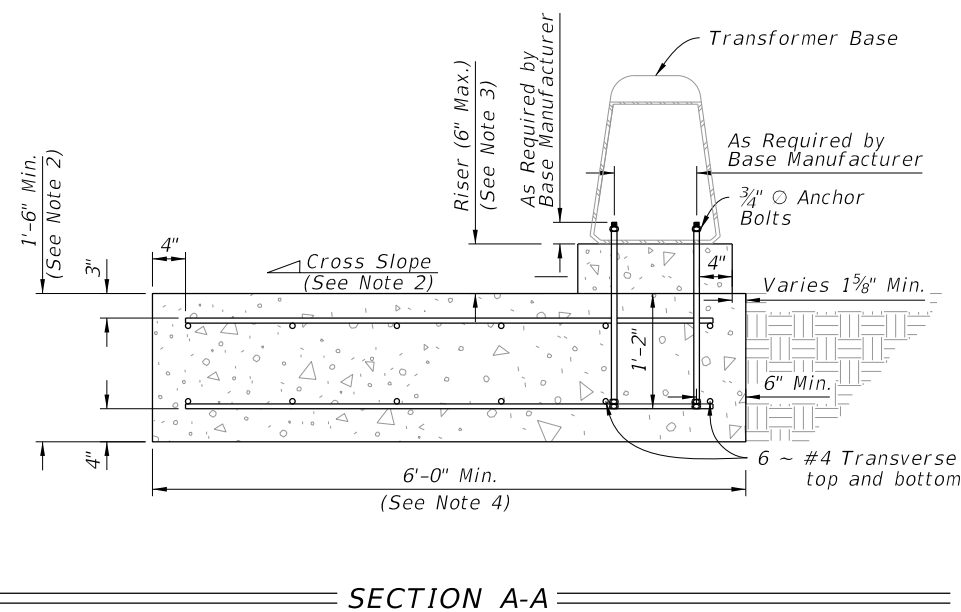
INDEX
700-120

SHEET
2 of 15



NOTES:

1. Install the Spread Footing Foundation only where called for in the Plans.
2. SIDEWALK:
 - a. When abutting sidewalk, match the cross slope of the adjacent sidewalk or curb ramp where applicable. Maintain the minimum depth of footing.
 - b. 1/2" expansion preformed joint filler required between sidewalk and spread footing.
 - c. Apply concrete surface finish to the top of the spread footing in accordance with Specification 522-7.
 - d. Sidewalk placed on the other side or both sides of the spread footing is permitted where shown in the Plans.
3. Only use concrete riser when installed in-line with sidewalk curb that results in a drop off to the adjacent sidewalk.
4. For sidewalks greater than 6', match sidewalk width. Add one #4 transverse bar, top and bottom, per additional foot of spread footing to maintain at minimum the same reinforcement area per foot.
5. Base location can vary on spread footing. Location shown in Plans.



10/3/2023 3:17:50 PM

11/01/24

13 SPREAD FOOTING FOUNDATION

| LAST REVISION | DESCRIPTION: |
|---------------|--------------|
| 11/01/23 | |
| | |

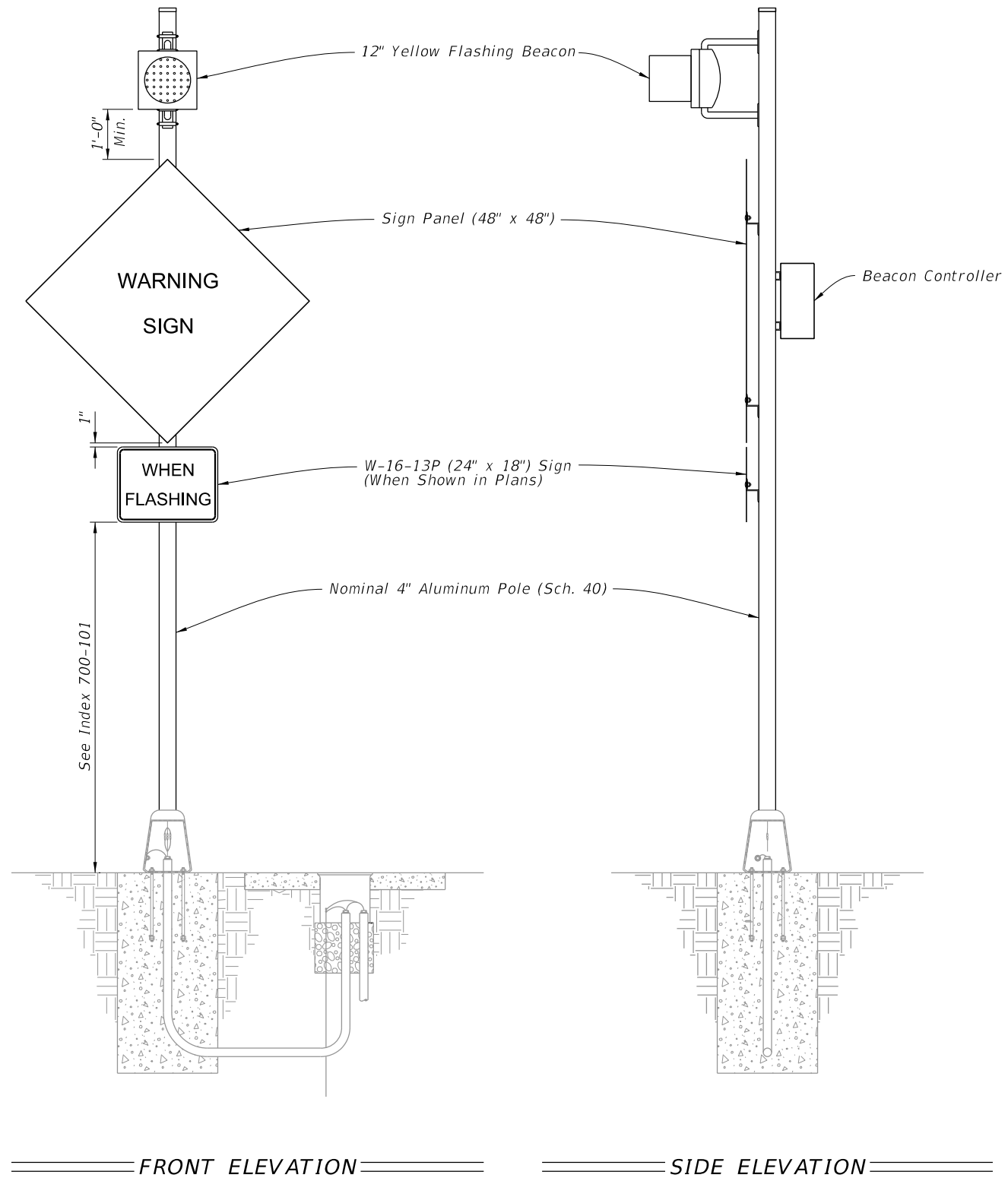


FY 2024-25
STANDARD PLANS

ENHANCED HIGHWAY SIGNING ASSEMBLIES

INDEX
700-120

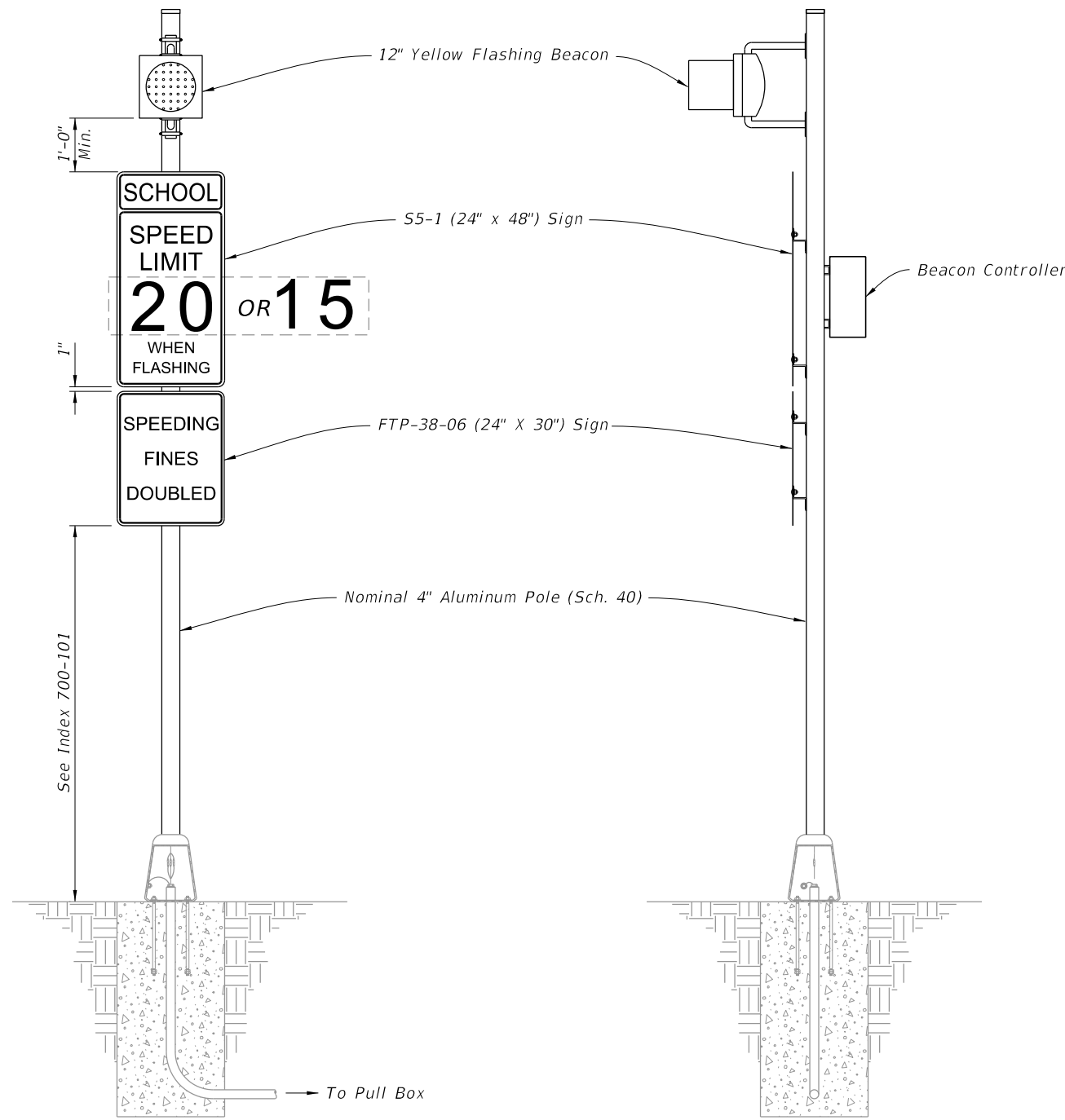
SHEET
3 of 15



- NOTES:**
1. Type A1 Assembly (conventionally powered) is shown. Type B1 Assemblies (solar powered) similar.
 2. Foundation reinforcement not shown.

10/3/2023 3:17:56 PM

| | |
|---------------------|---------------------|
| LAST REVISION | DESCRIPTION: |
| 11/01/23 | 11/01/23 |
| 11/01/24 | |



FRONT ELEVATION

SIDE ELEVATION

- NOTES:**
1. Type A2 Assembly (conventionally powered) is shown. Type B2 Assemblies (solar powered) similar.
 2. Foundation reinforcement not shown.

10/27/2023 9:03:59 AM

| | |
|---------------------|---------------------|
| LAST REVISION | DESCRIPTION: |
| 11/01/23 | 11/01/23 |
| 11/01/24 | |

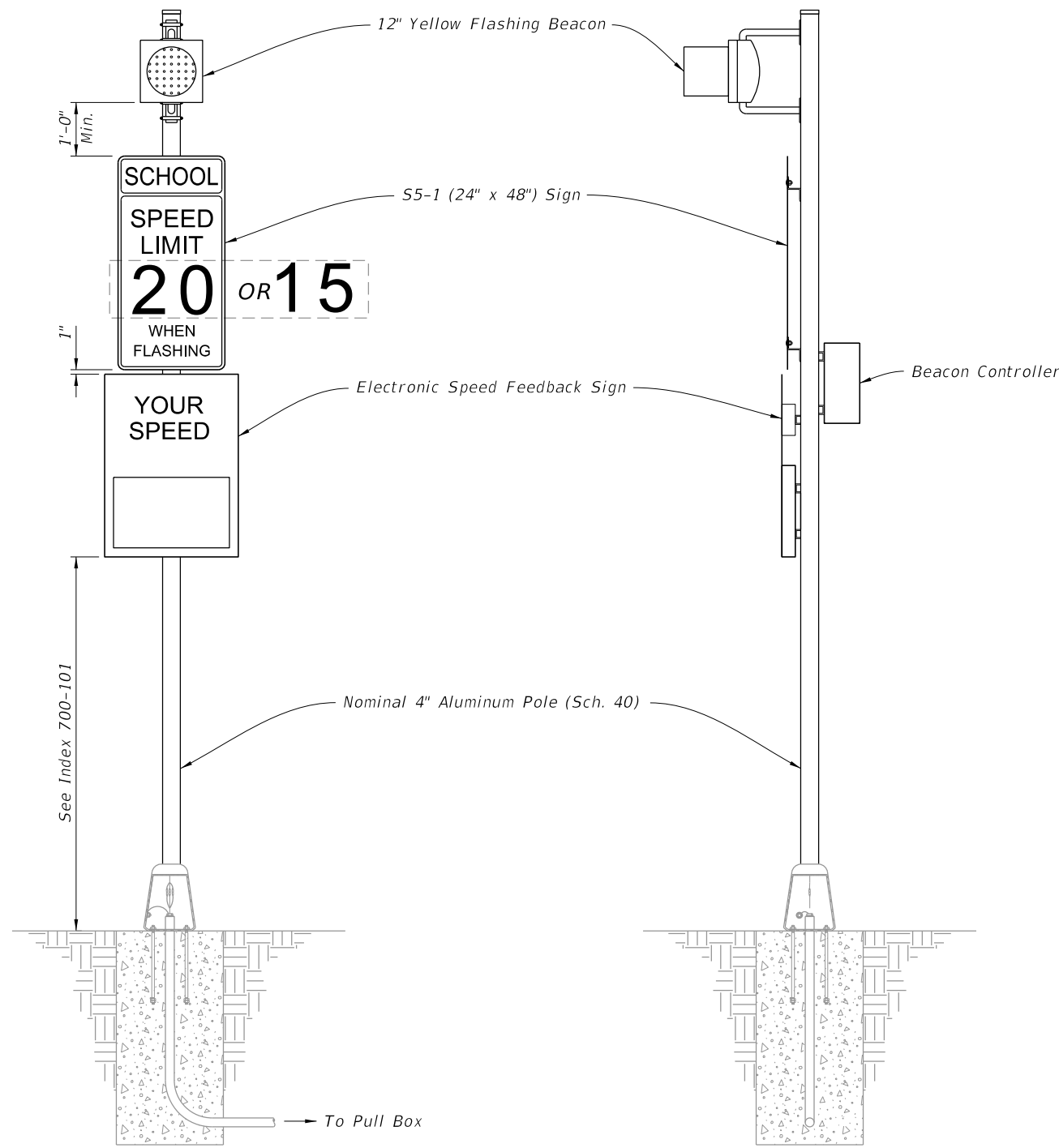


FY 2024-25
STANDARD PLANS

ENHANCED HIGHWAY SIGNING ASSEMBLIES

13
ROADSIDE SIGN ASSEMBLY-2

| | |
|---------|---------|
| INDEX | SHEET |
| 700-120 | 5 of 15 |



FRONT ELEVATION

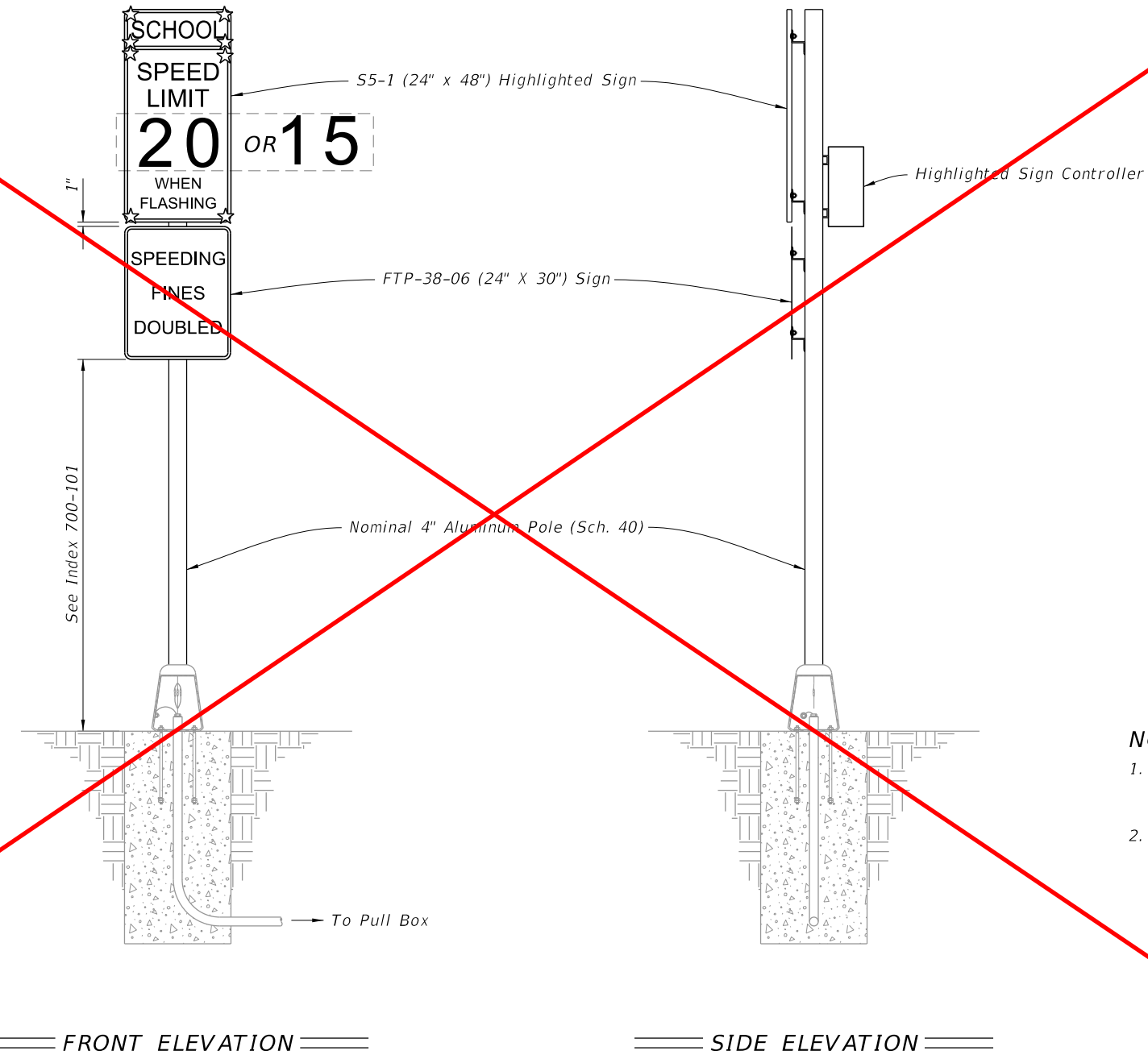
SIDE ELEVATION

- NOTES:**
1. Type A3 Assembly (conventionally powered) is shown. Type B3 Assemblies (solar powered) similar.
 2. Use electronic speed feedback sign with 15" high numerals for posted speed of 45 mph or less, and 18" high numerals for posted speeds greater than 45 mph.
 3. Foundation reinforcement not shown.

10/3/2023 3:18:11 PM

| | |
|---------------------|--------------|
| LAST REVISION | DESCRIPTION: |
| 11/01/23 | |
| 11/01/24 | |

DELETED SHEET:
 The 11th Edition MUTCD, Section 2A.12 (12) states:
 Flashing LED units shall not be used within the legend or border of a
 Speed Limit sign to indicate that the displayed speed limit is in effect.



- NOTES:**
1. Type A4 Assembly (conventionally powered) is shown. Type B4 Assemblies (solar powered) similar.
 2. Foundation reinforcement not shown.

10/3/2023 3:18:19 PM

11/01/24

ROADSIDE SIGN ASSEMBLY-4

| | |
|---------------|--------------|
| LAST REVISION | DESCRIPTION: |
| 11/01/23 | |



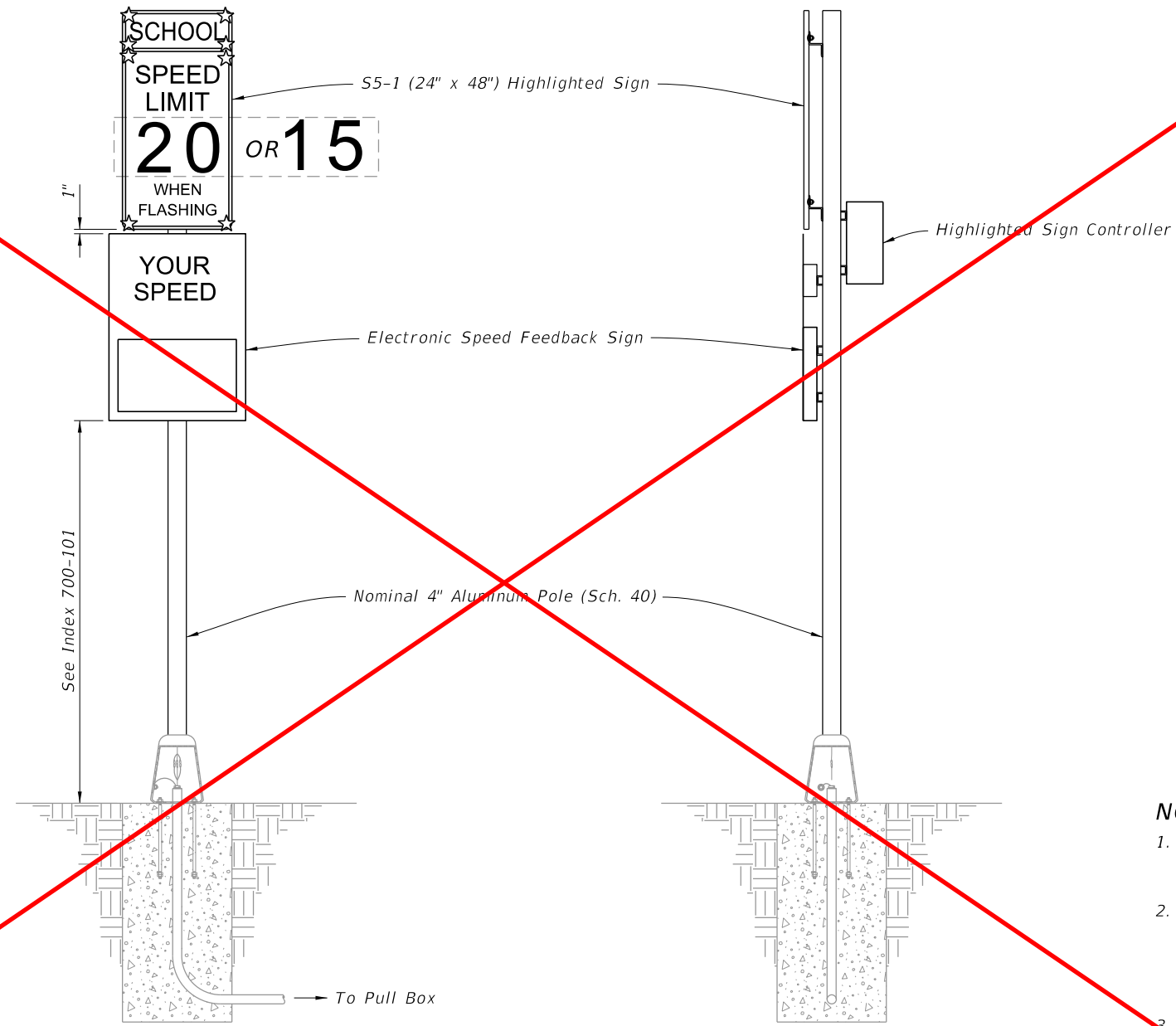
FY 2024-25
 STANDARD PLANS

ENHANCED HIGHWAY SIGNING ASSEMBLIES

INDEX
 700-120

SHEET
 7 of 15

DELETED SHEET:
 The 11th Edition MUTCD, Section 2A.12 (12) states:
 Flashing LED units shall not be used within the legend or border of a
 Speed Limit sign to indicate that the displayed speed limit is in effect.



- NOTES:**
1. Type A5 Assembly (conventionally powered) is shown. Type B5 Assemblies (solar powered) similar.
 2. Use electronic speed feedback sign with 15" high numerals for posted speed of 45 mph or less, and 18" high numerals for posted speeds greater than 45 mph.
 3. Foundation reinforcement not shown.

==== FRONT ELEVATION ====

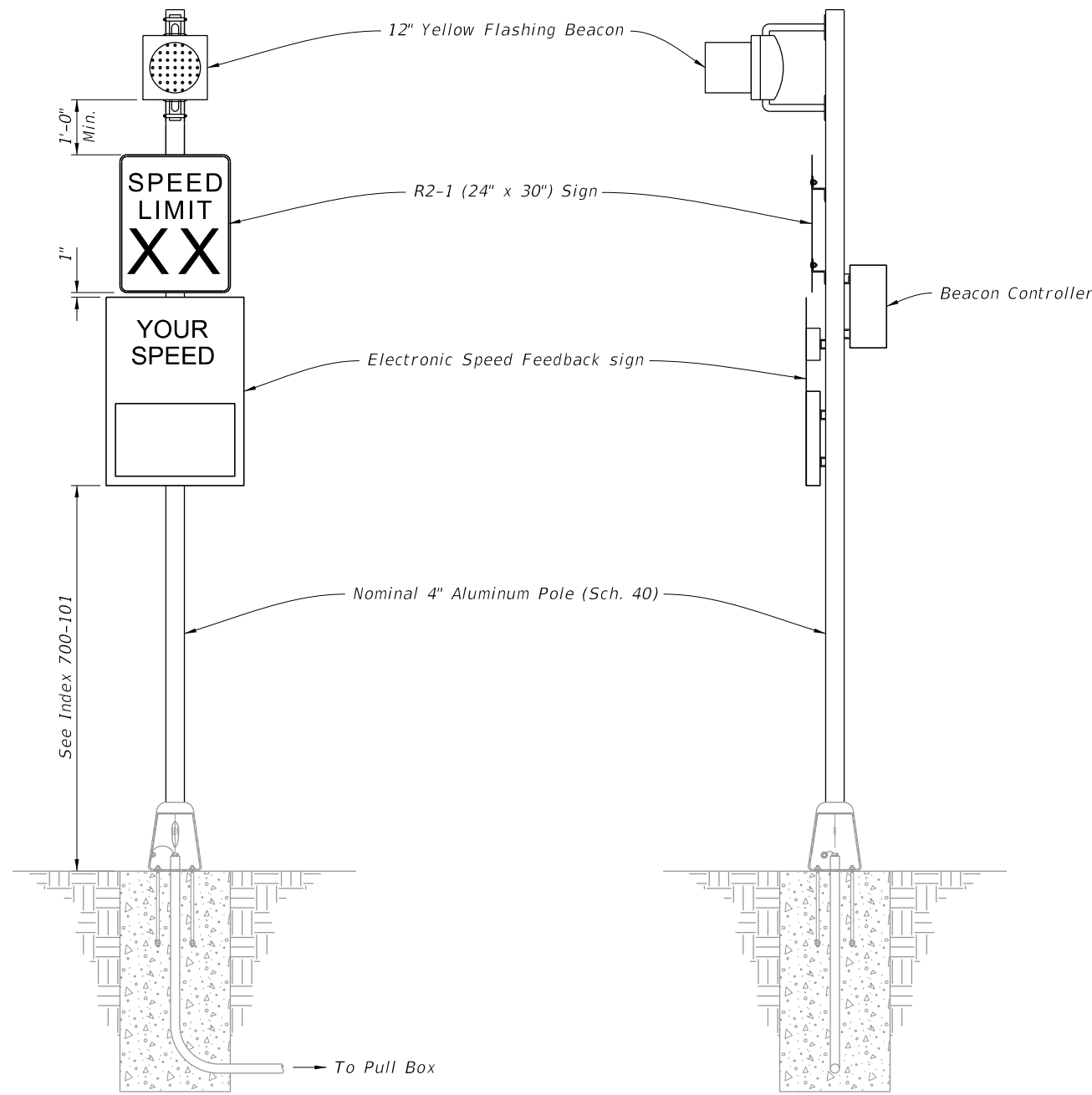
==== SIDE ELEVATION ====

10/3/2023 3:18:25 PM

11/01/24

ROADSIDE SIGN ASSEMBLY-5

| | | | | | |
|--------------------------------------|----------------------|--|-------------------------------------|------------------|------------------|
| LAST REVISION 11/01/23 | DESCRIPTION: |  FY 2024-25 STANDARD PLANS | ENHANCED HIGHWAY SIGNING ASSEMBLIES | INDEX 700-120 | SHEET 8 of 15 |
|--------------------------------------|----------------------|--|-------------------------------------|------------------|------------------|



FRONT ELEVATION

SIDE ELEVATION


- NOTES:**
1. Type A6 Assembly (conventionally powered) is shown. Type B6 Assemblies (solar powered) similar.
 2. Use electronic speed feedback sign with 15" high numerals for posted speed of 45 mph or less, and 18" high numerals for posted speeds greater than 45 mph.
 3. Foundation reinforcement not shown.

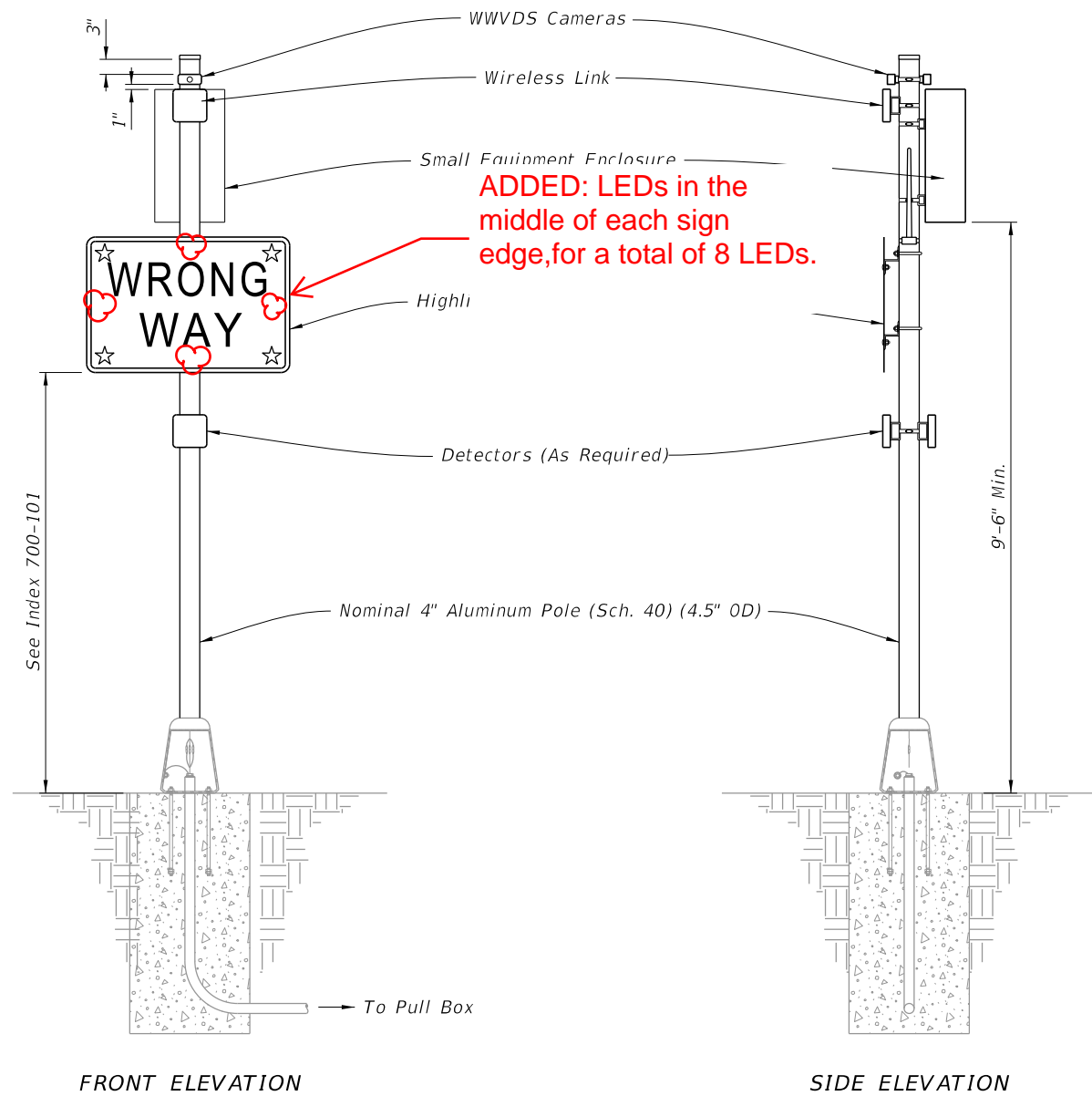
CHANGED TO: 4

7 of 13

ROADSIDE SIGN ASSEMBLY-6

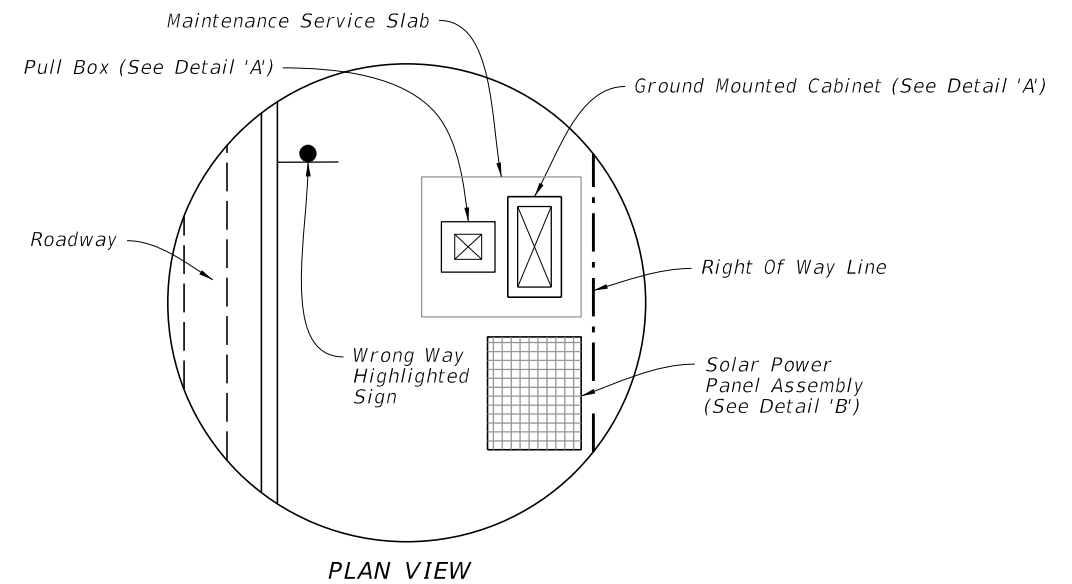
10/3/2023 3:18:31 PM

| | | | | | |
|--|--------------|---|-------------------------------------|------------------|--|
| LAST REVISION 11/01/23 11/01/24 | DESCRIPTION: |  FY 2024-25 STANDARD PLANS | ENHANCED HIGHWAY SIGNING ASSEMBLIES | INDEX 700-120 | SHEET 9 of 15 7 of 13 |
|--|--------------|---|-------------------------------------|------------------|--|

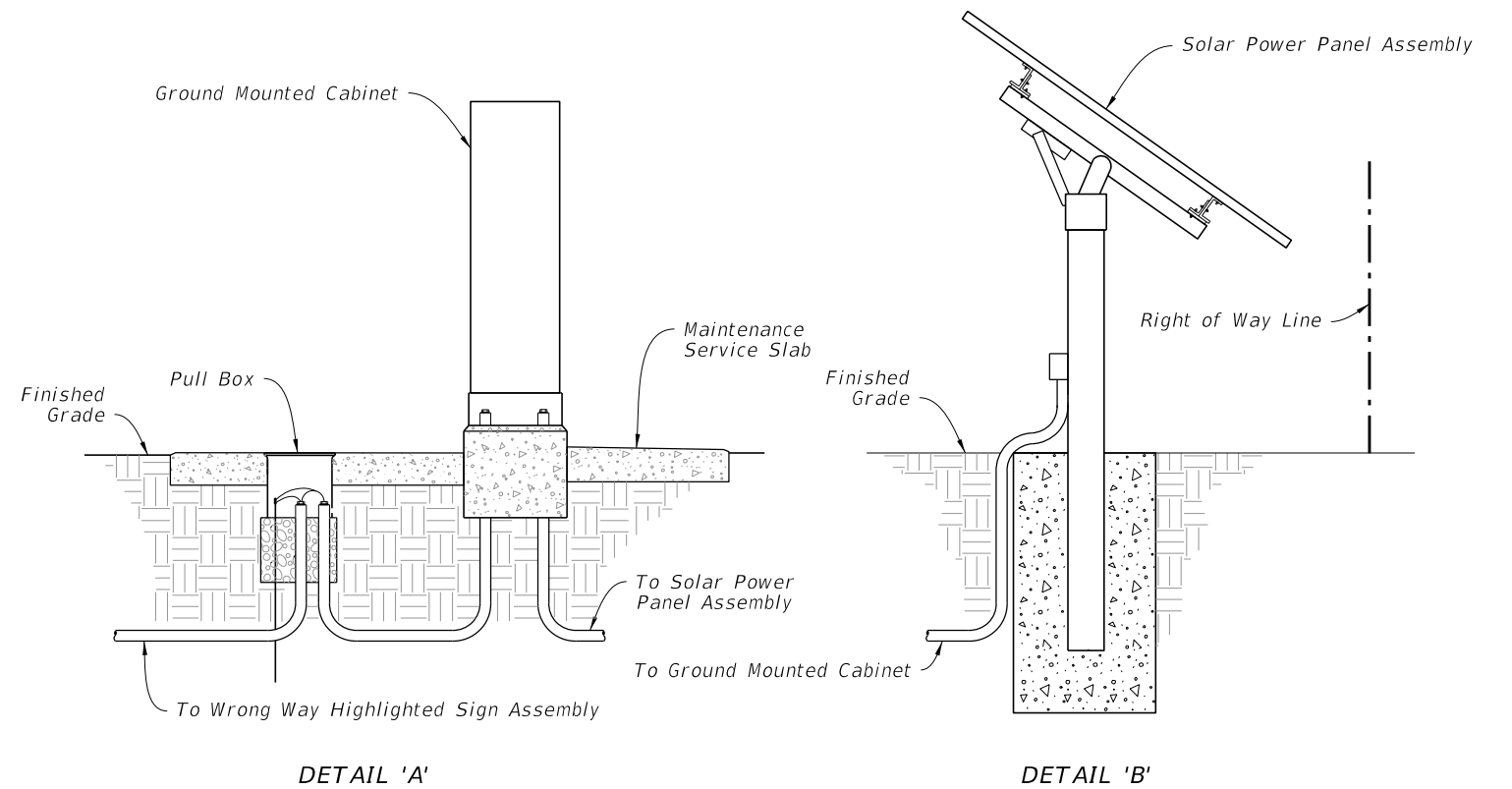


FRONT ELEVATION

SIDE ELEVATION



PLAN VIEW



DETAIL 'A'

DETAIL 'B'

WRONG WAY HIGHLIGHTED SIGN ASSEMBLY

SOLAR POWER ASSEMBLY

NOTES:

1. Install Wrong Way Vehicle Detection System (WWVDS) devices including cameras, detectors, wireless links, antennas, enclosures, and electronics in accordance with the manufacturer's instructions.
2. When a solar powered configuration (Type B7) is called for in the Plans, install a ground mounted cabinet and solar power panel assembly. Install the solar charge controller and batteries in the same ground mounted cabinet. Provide a separate pole for mounting the solar panel (DETAIL 'B' shown for illustration purposes only) and install in accordance with manufacturer's instructions. Locate the Solar Power Assembly as close to the right of way as possible. Orient the solar panel to face South.
3. Foundation reinforcement not shown.
4. Install cabinets in accordance with Index 676-010.

CHANGED TO: 5

8 of 13

ROADSIDE SIGN ASSEMBLY-7

10/3/2023 3:18:36 PM

| | |
|---------------------|--------------|
| LAST REVISION | DESCRIPTION: |
| 11/01/23 | |
| 11/01/24 | |



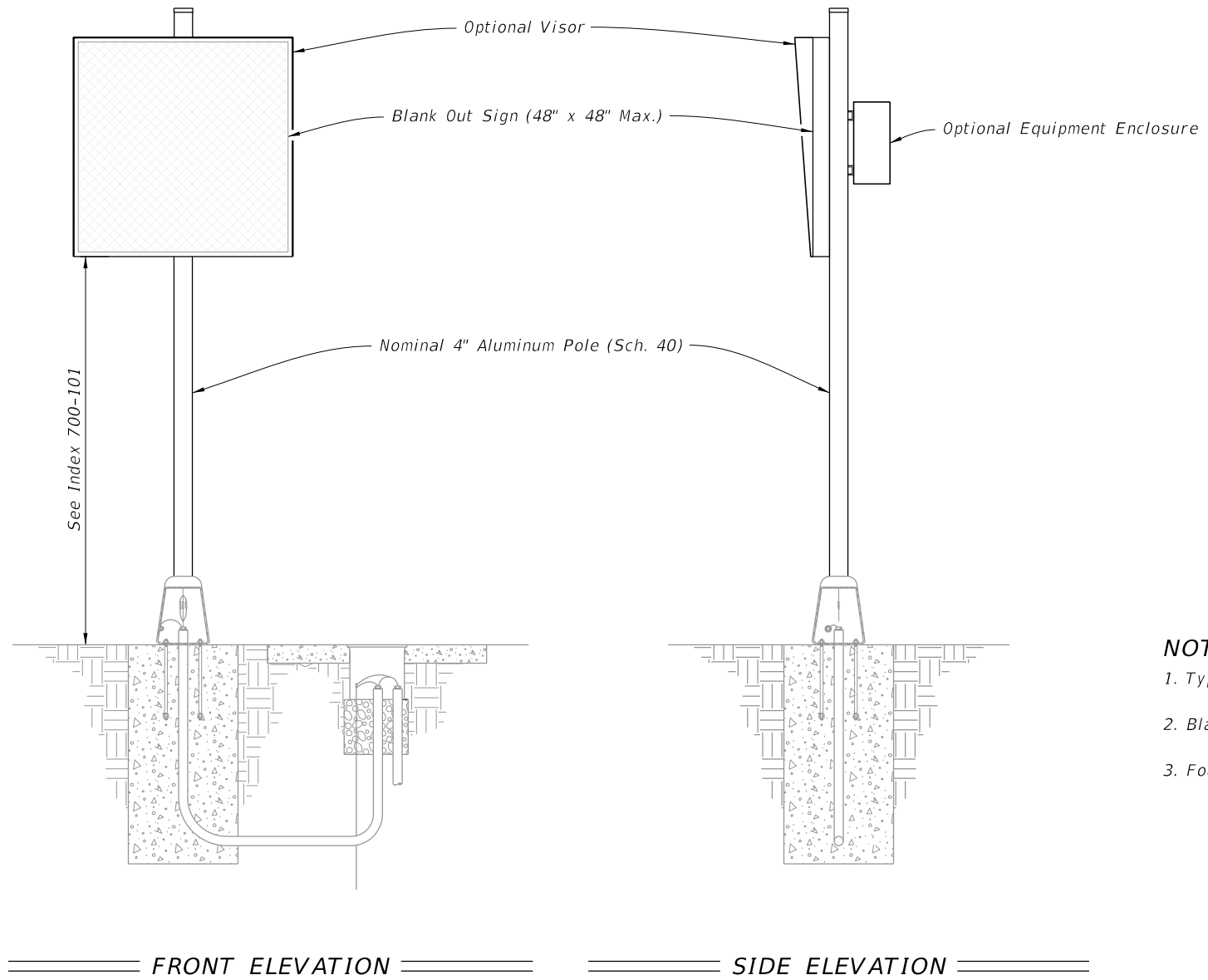
FY 2024-25
STANDARD PLANS

ENHANCED HIGHWAY SIGNING ASSEMBLIES

INDEX
700-120

SHEET
~~10 of 15~~

10/3/2023 3:18:45 PM



NOTES:

- 1. Type A8 Assembly (conventionally powered) is shown.
- 2. Blank Out Sign visors are optional.
- 3. Foundation reinforcement not shown.

CHANGED TO: 6

9 of 13

ROADSIDE SIGN ASSEMBLY-8

| LAST REVISION | DESCRIPTION: |
|---------------------|--------------|
| 11/01/23 | |
| 11/01/24 | |

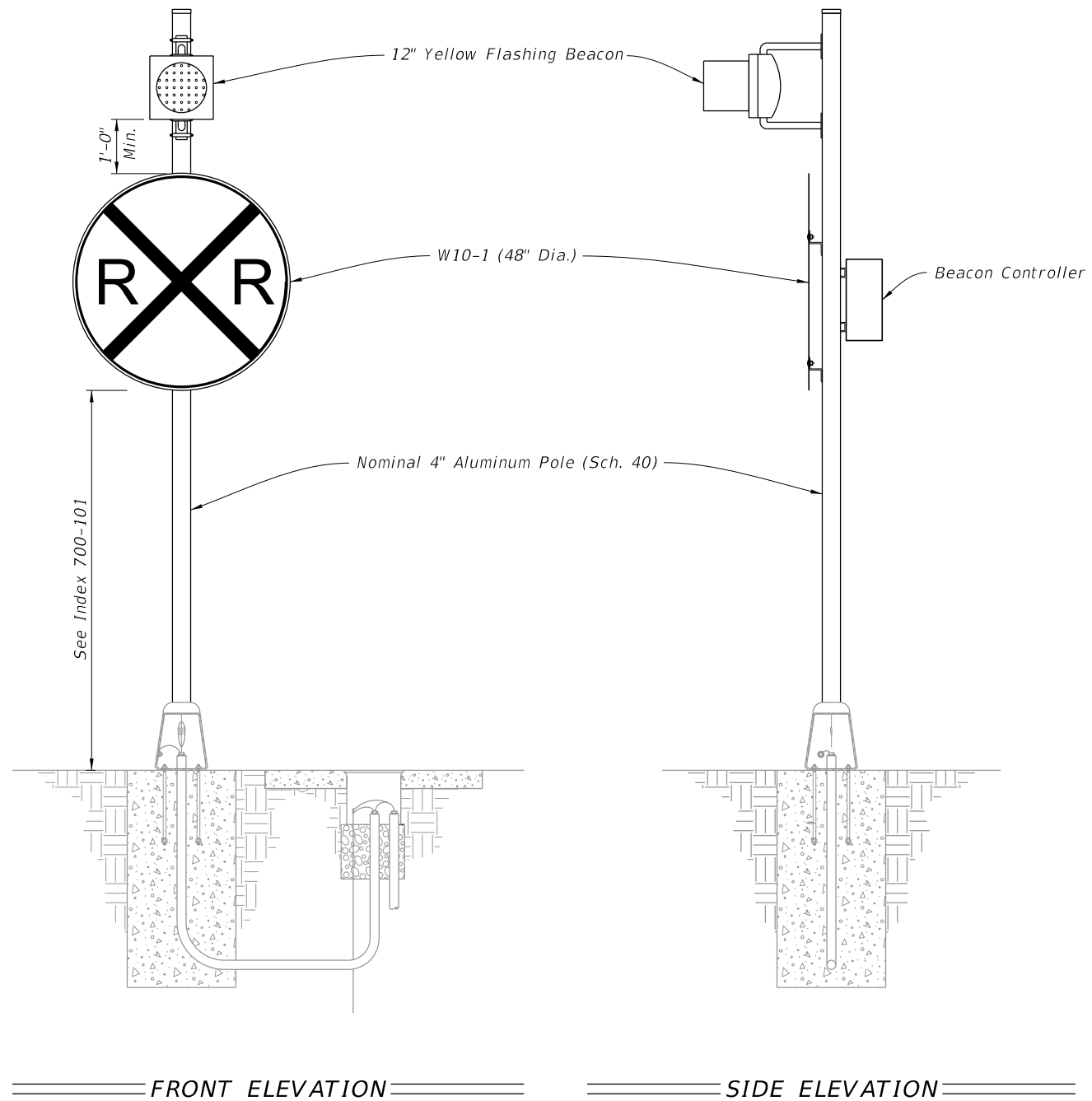


FY 2024-25
STANDARD PLANS

ENHANCED HIGHWAY SIGNING ASSEMBLIES

INDEX
700-120

SHEET
~~11 of 15~~



NOTES:

1. Type A9 Assembly (conventionally powered) is shown.
Type B9 Assemblies (solar powered) similar.
2. Foundation reinforcement not shown.

CHANGED TO: 7

10 of 13

ROADSIDE SIGN ASSEMBLY-9

10/3/2023 3:18:51 PM

| LAST REVISION | DESCRIPTION: |
|---------------------|--------------|
| 11/01/23 | |
| 11/01/24 | |



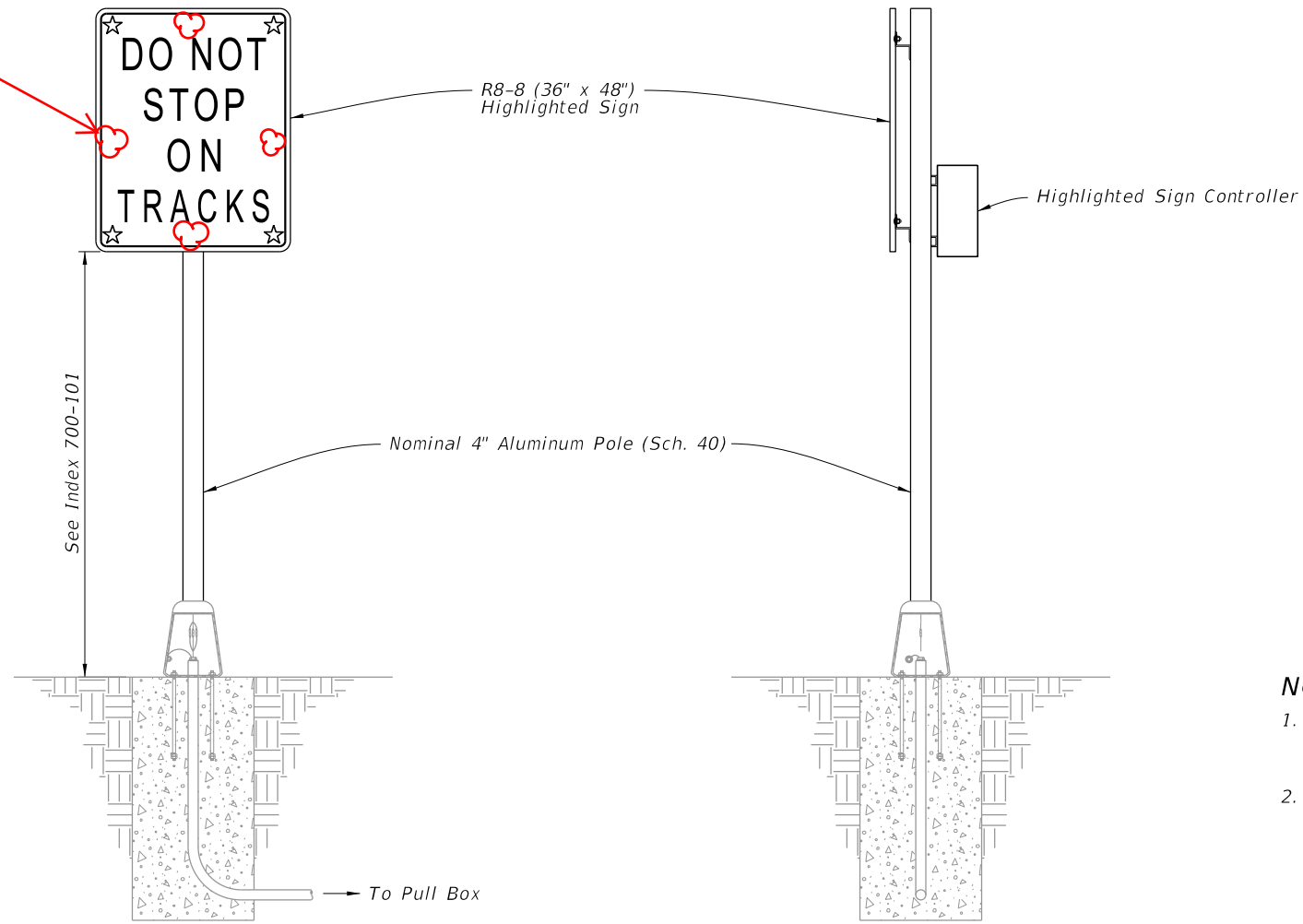
FY 2024-25
STANDARD PLANS

ENHANCED HIGHWAY SIGNING ASSEMBLIES

INDEX
700-120

SHEET
~~12 of 15~~

ADDED: LEDs in the middle of each sign edge, for a total of 8 LEDs.



FRONT ELEVATION

SIDE ELEVATION

NOTES:


1. Type A10 Assembly (conventionally powered) is shown. Type B10 Assemblies (solar powered) similar.
2. Foundation reinforcement not shown.

CHANGED TO: 8

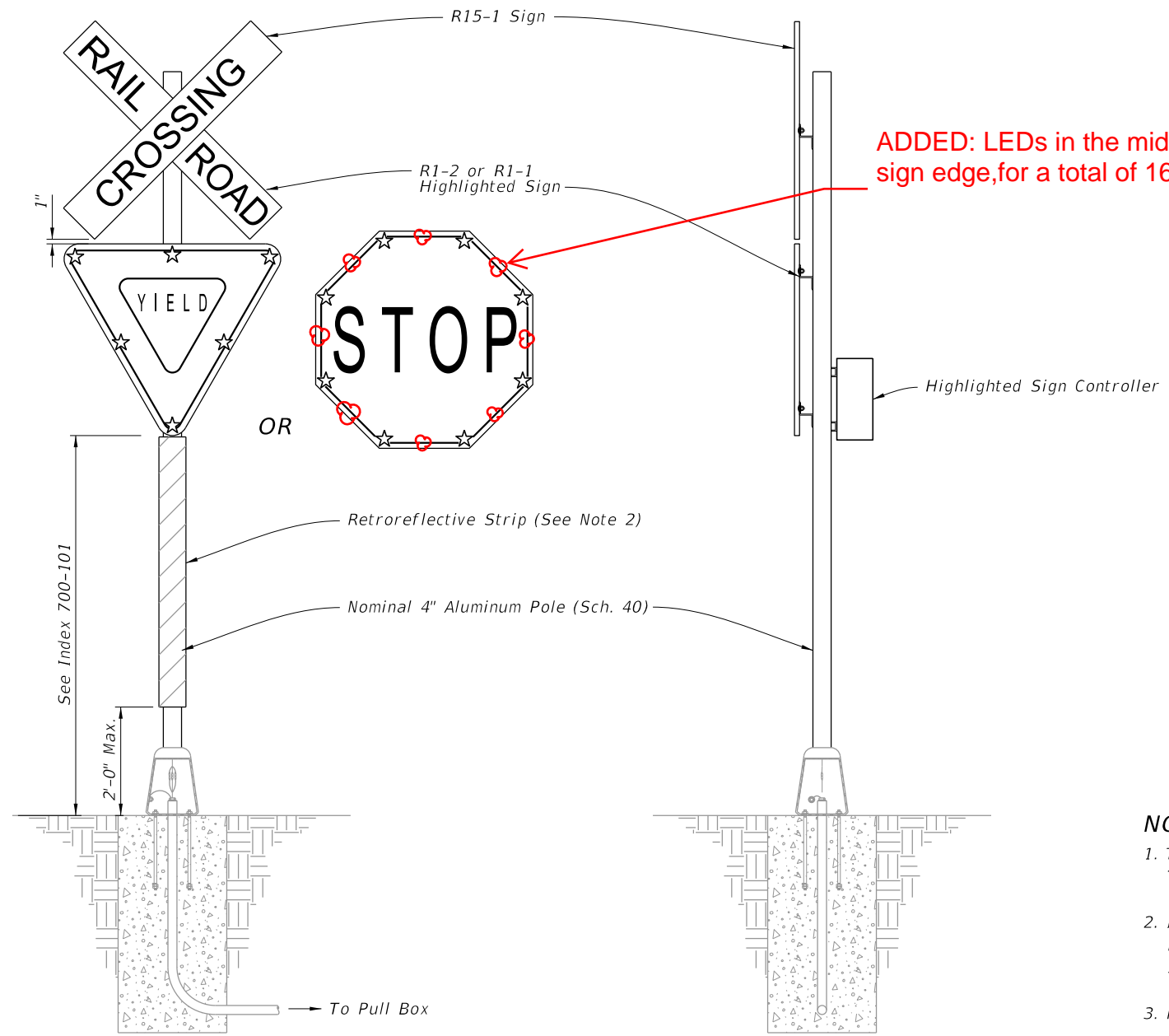
11 of 13

ROADSIDE SIGN ASSEMBLY-10

10/3/2023 3:18:56 PM

| | | | | | | |
|--------------------------------------|----------------------|--------------|---|-------------------------------------|------------------|------------------------------|
| LAST REVISION 11/01/23 | REVISION 11/01/24 | DESCRIPTION: |  FY 2024-25 STANDARD PLANS | ENHANCED HIGHWAY SIGNING ASSEMBLIES | INDEX 700-120 | SHEET 13 of 15 |
|--------------------------------------|----------------------|--------------|---|-------------------------------------|------------------|------------------------------|

10/3/2023 3:19:05 PM



ADDED: LEDs in the middle of each sign edge, for a total of 16 LEDs.

- NOTES:**
1. Type A11 Assembly (conventionally powered) is shown. Type B11 Assemblies (solar powered) similar.
 2. Install red retroreflective strip on front and white retroreflective strip on back in accordance with Specification 700.
 3. Foundation reinforcement not shown.

FRONT ELEVATION

SIDE ELEVATION

CHANGED TO: 9

12 of 13

ROADSIDE SIGN ASSEMBLY-11

| | |
|---------------------|--------------|
| LAST REVISION | DESCRIPTION: |
| 11/01/23 | |
| 11/01/24 | |

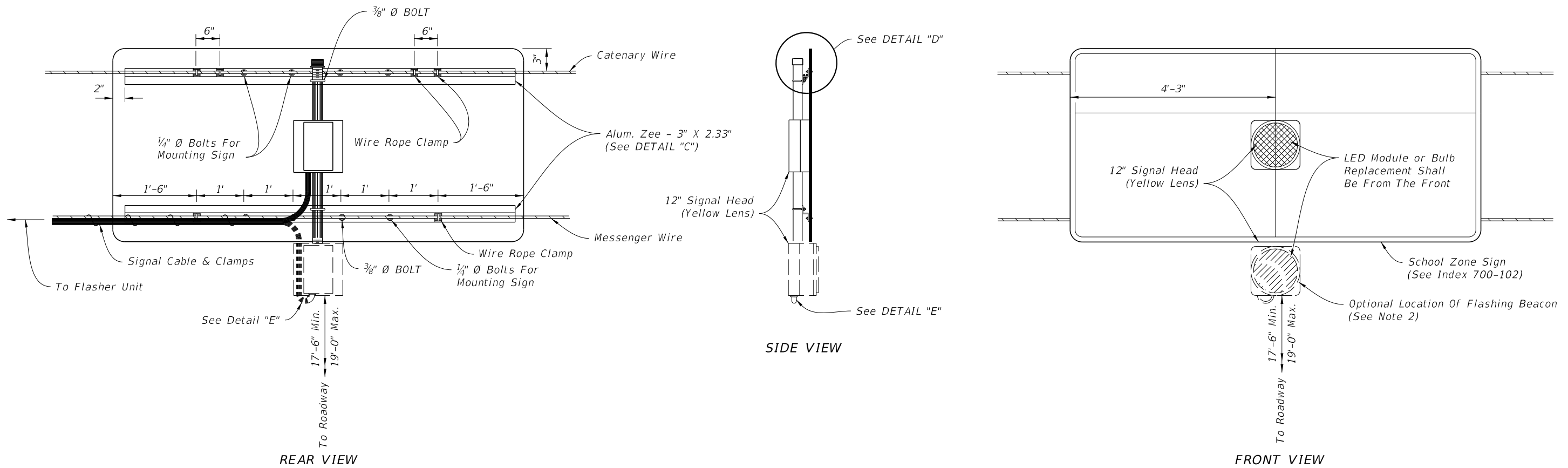


FY 2024-25
STANDARD PLANS

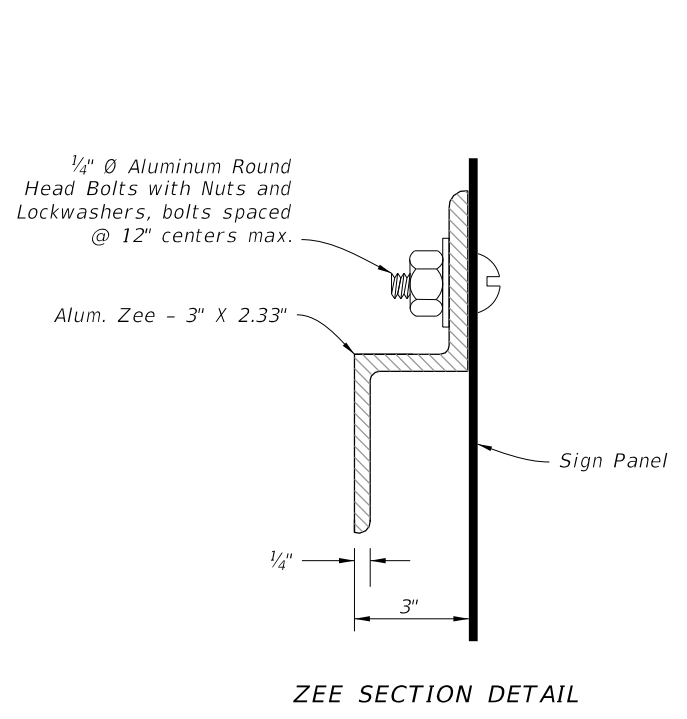
ENHANCED HIGHWAY SIGNING ASSEMBLIES

INDEX
700-120

SHEET
~~14 of 15~~

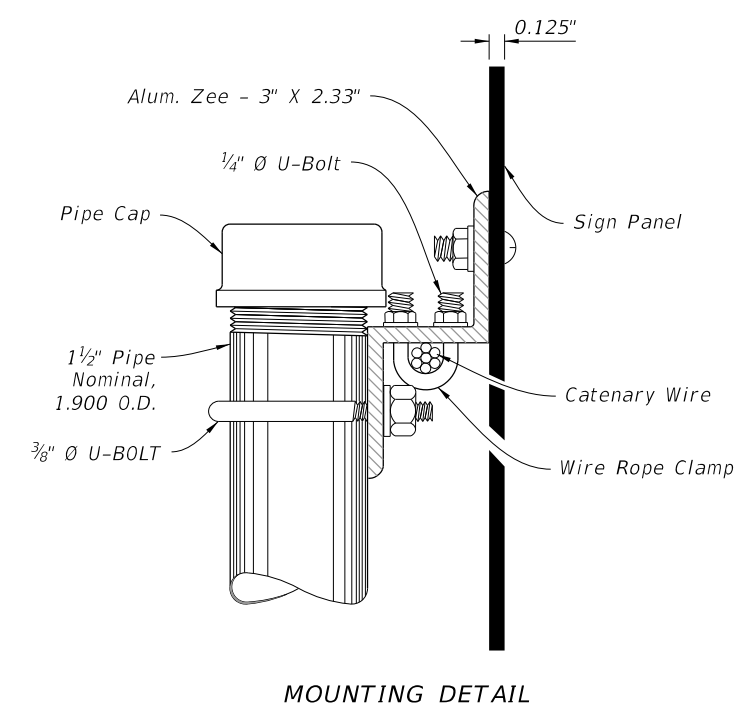


OVERHEAD SCHOOL SIGN ASSEMBLY



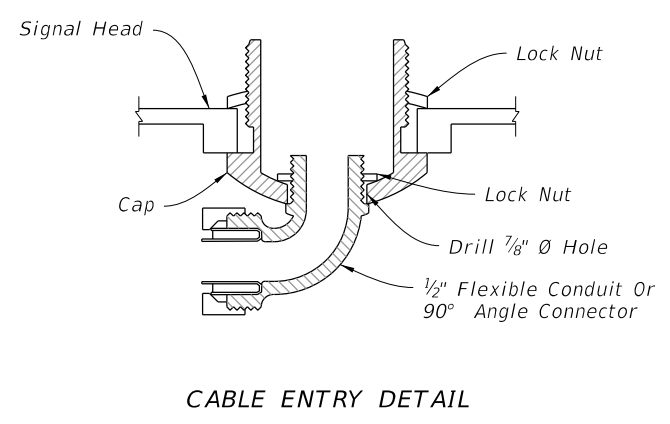
ZEE SECTION DETAIL

DETAIL "C"



MOUNTING DETAIL

DETAIL "D"



CABLE ENTRY DETAIL

DETAIL "E"

NOTES:

1. Flasher unit and cabinet to be placed on the strain pole supporting overhead sign assembly or on service pole. The flasher unit not to overhang private property or sidewalk.
2. Optional flashing beacon will be called for in the Plans. They may be placed within or below the panel, or face to the rear.

10/3/2023 3:19:12 PM

11/01/24

13 of 13

OVERHEAD SIGN ASSEMBLY

| | | | | | | |
|---------------|--------------|--|------------------------------|-------------------------------------|------------------|-------------------|
| LAST REVISION | DESCRIPTION: | | FY 2024-25 STANDARD PLANS | ENHANCED HIGHWAY SIGNING ASSEMBLIES | INDEX 700-120 | SHEET 15 of 15 |
|---------------|--------------|--|------------------------------|-------------------------------------|------------------|-------------------|

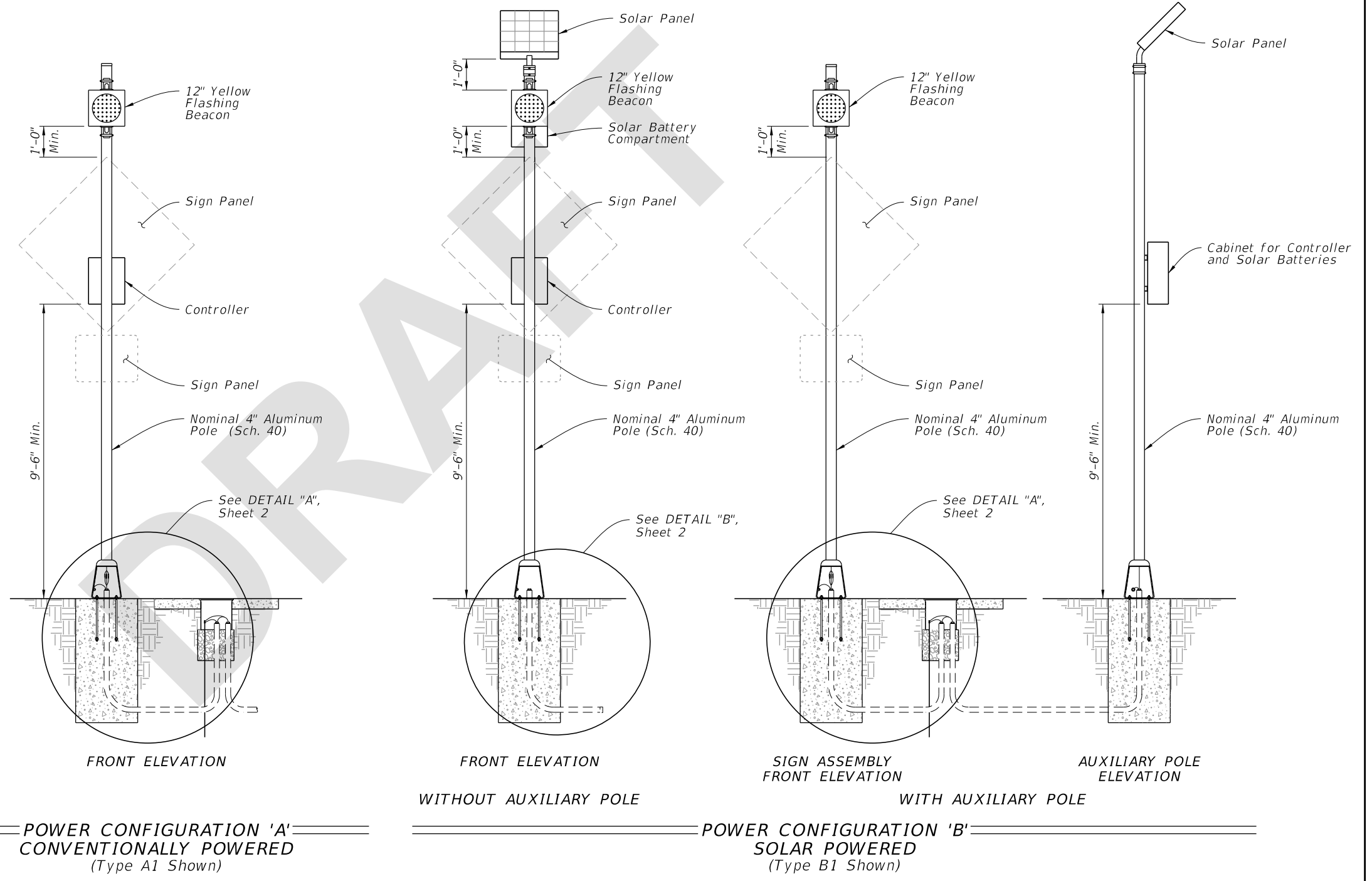
| TABLE OF CONTENTS: | |
|--------------------|---|
| Sheet | Description |
| 1 | General Notes and Contents |
| 2 | Conduit, Wiring, and Foundation Details |
| 3 | Spread Footing Foundation |
| 4 | Roadside Sign Assembly-1 |
| 5 | Roadside Sign Assembly-2 |
| 6 | Roadside Sign Assembly-3 |
| 7 | Roadside Sign Assembly-4 |
| 8 | Roadside Sign Assembly-5 |
| 9 | Roadside Sign Assembly-6 |
| 10 | Roadside Sign Assembly-7 |
| 11 | Roadside Sign Assembly-8 |
| 12 | Roadside Sign Assembly-9 |
| 13 | Overhead Sign Assembly |

GENERAL NOTES:

1. Meet the requirements of Specifications 646 and 700.
2. Engage all threads on the transformer base and post unless the aluminum post is fully seated into base.
3. Install a concrete slab around all roadside assemblies on slopes 6:1 or greater. The minimum slab dimension is 6" by 4'-0" by 5'-0".
4. When wire entry holes are drilled in the sign column, use a bushing or rubber grommet to protect conductors.

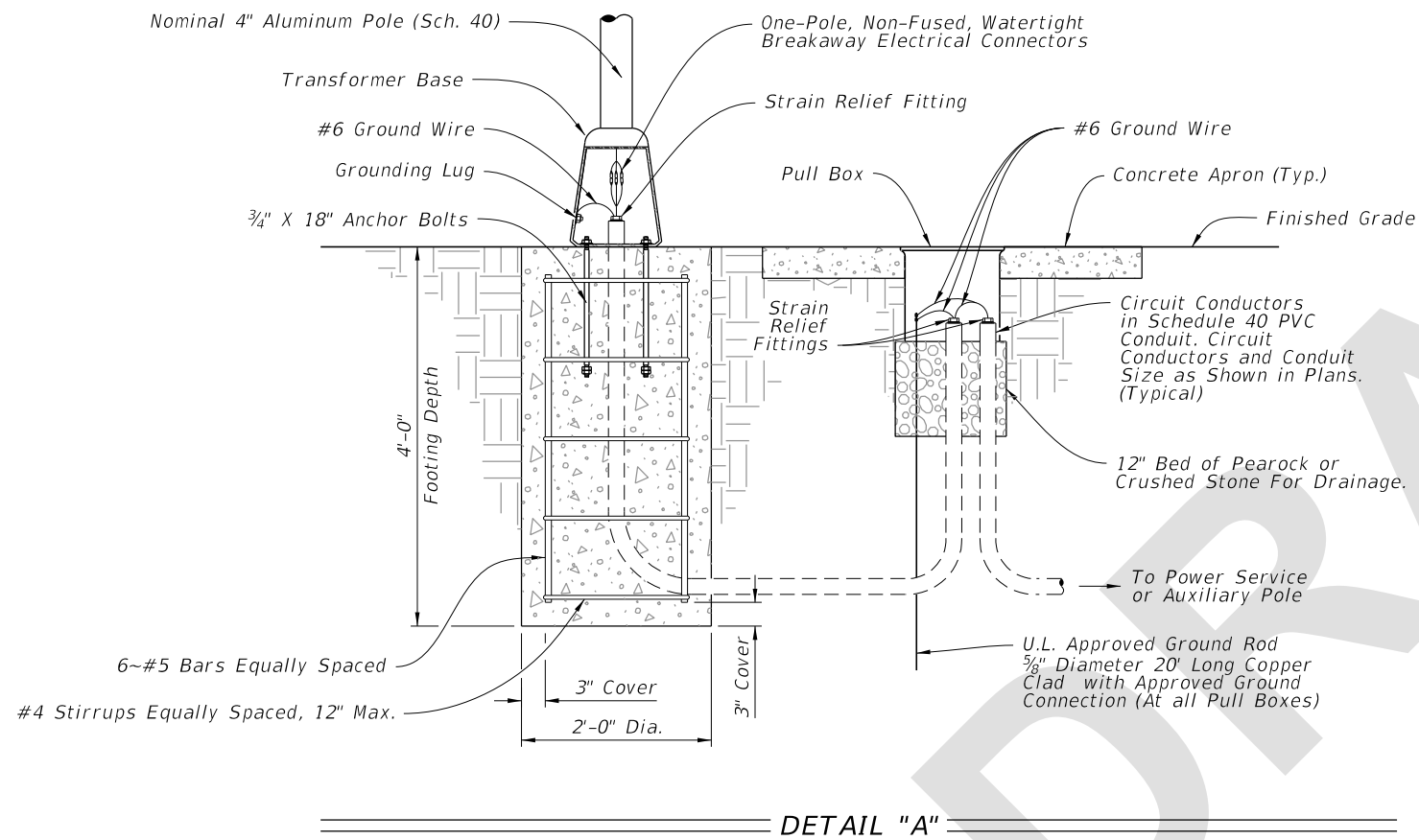
POWER CONFIGURATION 'B' NOTES:

1. Install a separate pole for mounting the solar panel, controller and batteries for all roadside assemblies with solar panels, controllers and batteries weighing more than 170 lbs.
2. Install the auxiliary pole as close to the right of way boundary as possible.
3. Install the auxiliary pole so that the height is the same as the column for the roadside assembly.
4. Orient solar panel to face South for optimal exposure to sunlight.
5. The controller and the solar batteries may be located in the same compartment.

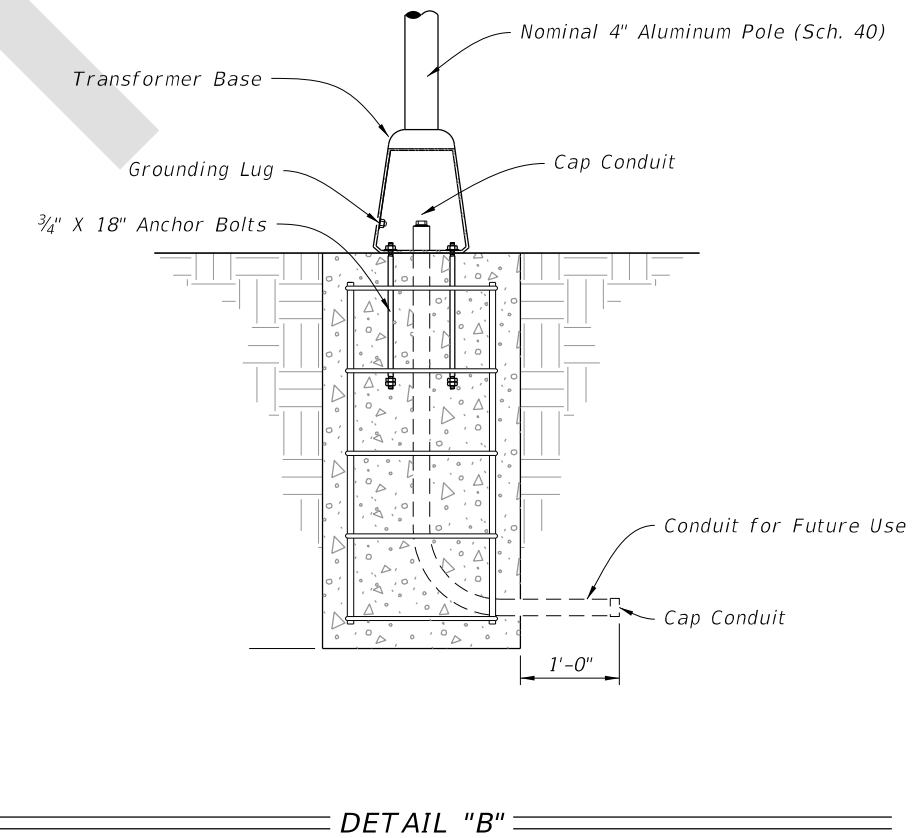


6/6/2024 9:00:01 AM

6/6/2024 9:00:07 AM




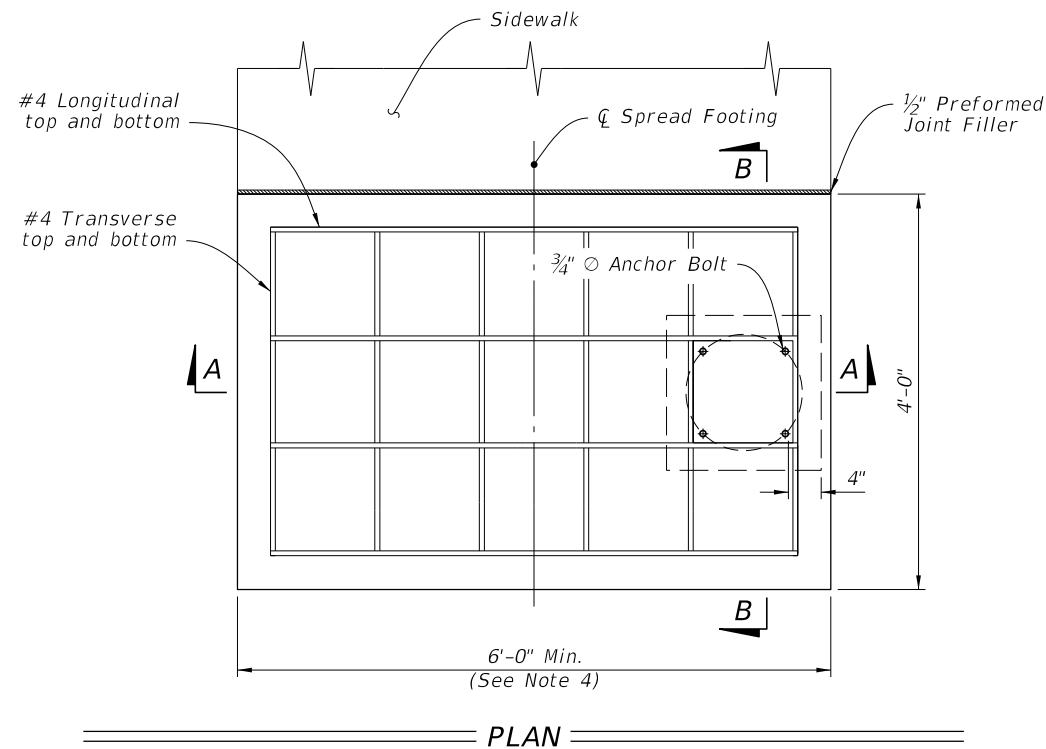
DETAIL "A"



DETAIL "B"

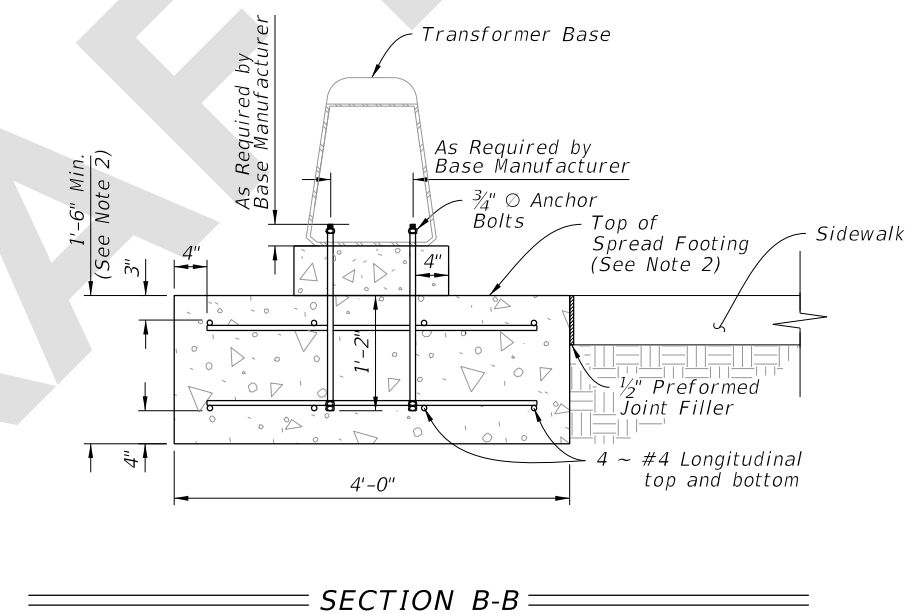
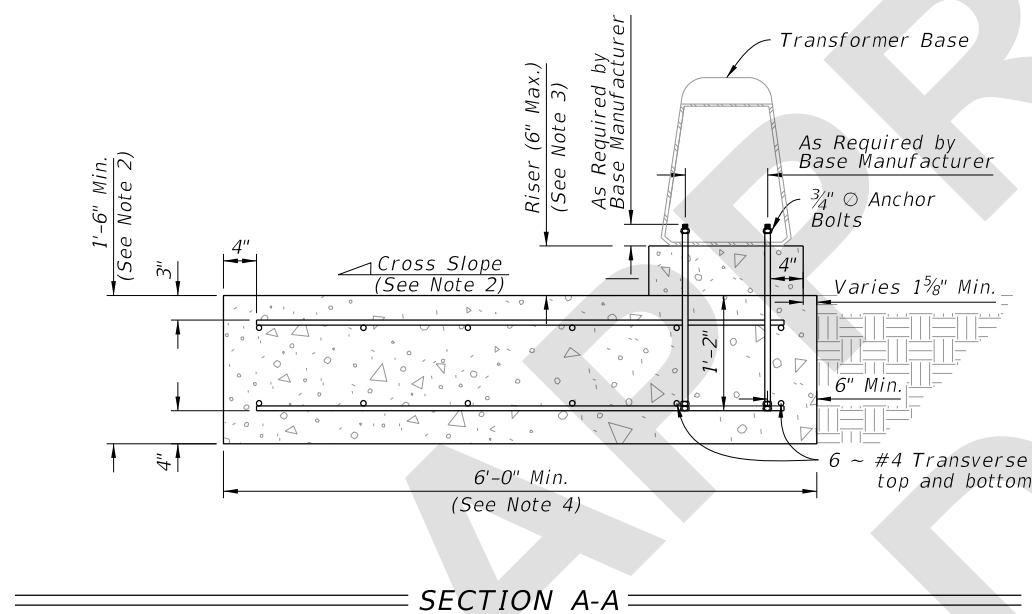
CONDUIT, WIRING, AND FOUNDATION DETAILS

| | | | | | | | |
|---------------------------|----------|--------------|--|------------------------------|-------------------------------------|------------------|------------------|
| LAST REVISION 11/01/24 | REVISION | DESCRIPTION: |  | FY 2025-26 STANDARD PLANS | ENHANCED HIGHWAY SIGNING ASSEMBLIES | INDEX 700-120 | SHEET 2 of 13 |
|---------------------------|----------|--------------|--|------------------------------|-------------------------------------|------------------|------------------|




NOTES:

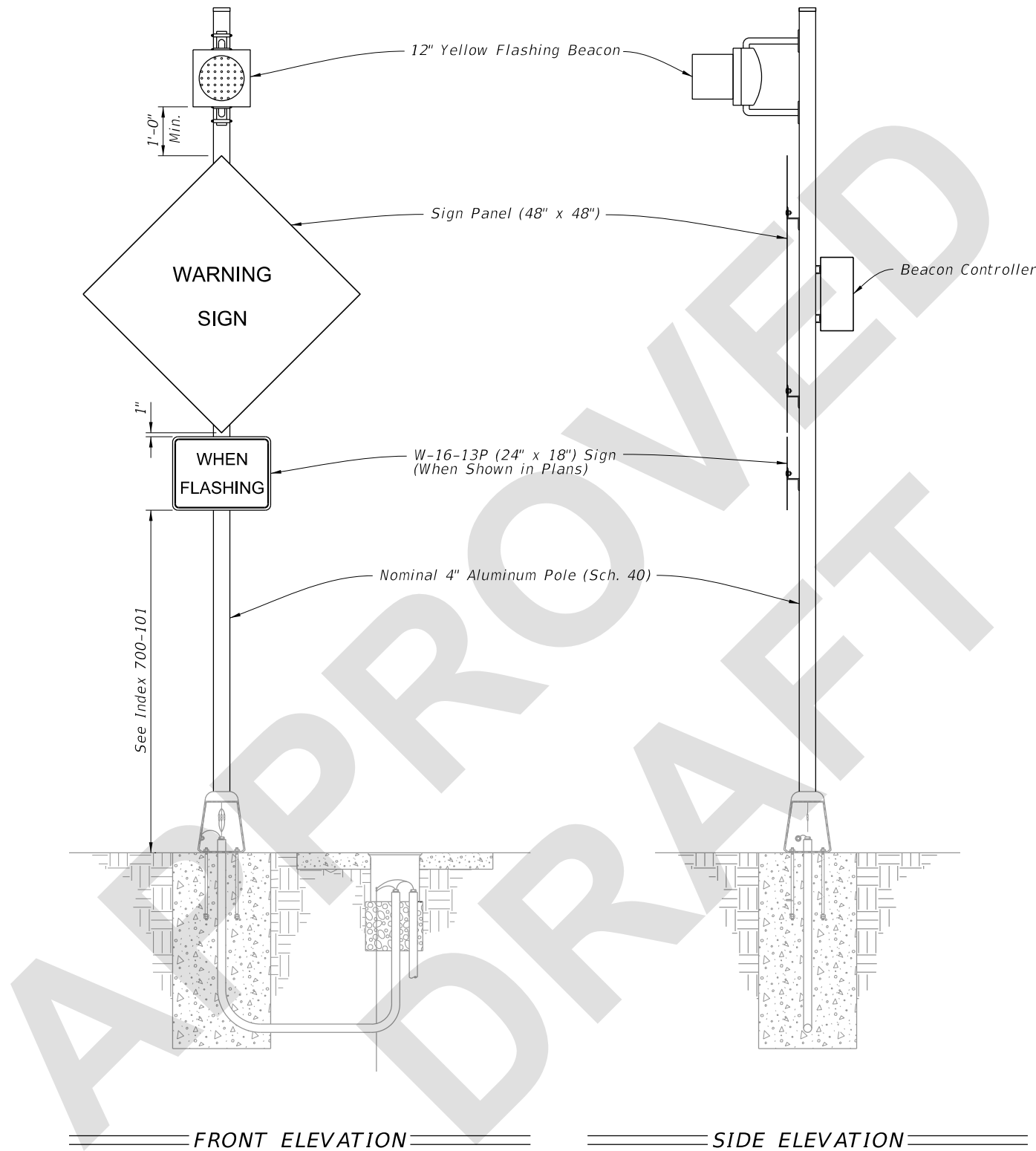
1. Install the Spread Footing Foundation only where called for in the Plans.
2. SIDEWALK:
 - a. When abutting sidewalk, match the cross slope of the adjacent sidewalk or curb ramp where applicable. Maintain the minimum depth of footing.
 - b. 1/2" expansion preformed joint filler required between sidewalk and spread footing.
 - c. Apply concrete surface finish to the top of the spread footing in accordance with Specification 522-7.
 - d. Sidewalk placed on the other side or both sides of the spread footing is permitted where shown in the Plans.
3. Only use concrete riser when installed in-line with sidewalk curb that results in a drop off to the adjacent sidewalk.
4. For sidewalks greater than 6', match sidewalk width. Add one #4 transverse bar, top and bottom, per additional foot of spread footing to maintain at minimum the same reinforcement area per foot.
5. Base location can vary on spread footing. Location shown in Plans.



6/6/2024 9:00:14 AM


SPREAD FOOTING FOUNDATION

| | | | | | |
|---------------------------|--------------|--|-------------------------------------|------------------|------------------|
| LAST REVISION 11/01/24 | DESCRIPTION: |  FY 2025-26 STANDARD PLANS | ENHANCED HIGHWAY SIGNING ASSEMBLIES | INDEX 700-120 | SHEET 3 of 13 |
|---------------------------|--------------|--|-------------------------------------|------------------|------------------|

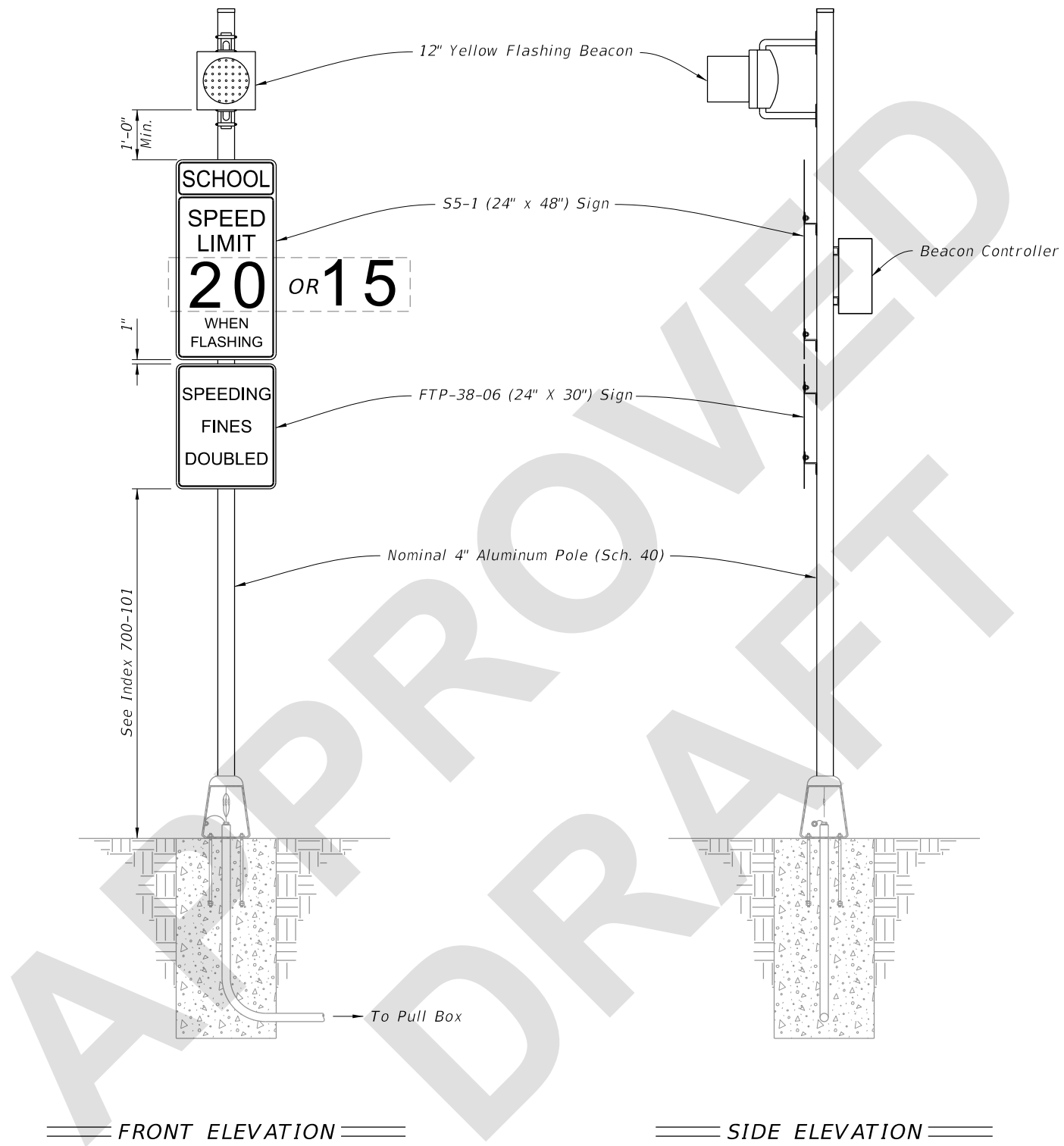


- NOTES:**
1. Type A1 Assembly (conventionally powered) is shown. Type B1 Assemblies (solar powered) similar.
 2. Foundation reinforcement not shown.

6/6/2024 9:00:22 AM


| | | | | | | |
|---------------------------|----------|--------------|---|-------------------------------------|------------------|------------------|
| LAST REVISION 11/01/24 | REVISION | DESCRIPTION: |  FY 2025-26 STANDARD PLANS | ENHANCED HIGHWAY SIGNING ASSEMBLIES | INDEX 700-120 | SHEET 4 of 13 |
|---------------------------|----------|--------------|---|-------------------------------------|------------------|------------------|

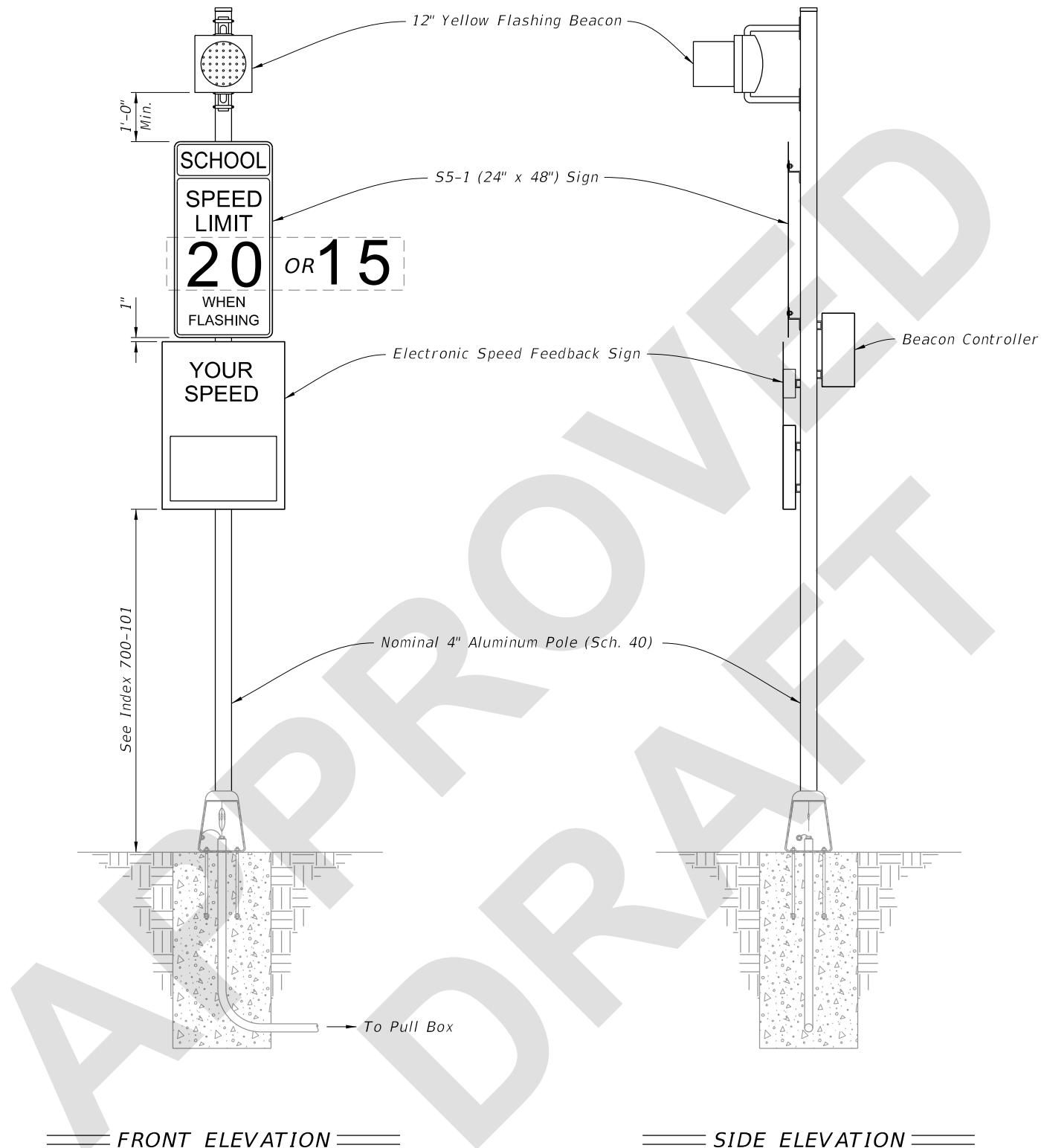
ROADSIDE SIGN ASSEMBLY-1



- NOTES:**
1. Type A2 Assembly (conventionally powered) is shown.
Type B2 Assemblies (solar powered) similar.
 2. Foundation reinforcement not shown.

6/6/2024 9:00:29 AM

| | | | | | | |
|------------------------------|----------|--------------|---|-------------------------------------|------------------|------------------|
| LAST REVISION 11/01/24 | REVISION | DESCRIPTION: |  FY 2025-26 STANDARD PLANS | ENHANCED HIGHWAY SIGNING ASSEMBLIES | INDEX 700-120 | SHEET 5 of 13 |
|------------------------------|----------|--------------|---|-------------------------------------|------------------|------------------|




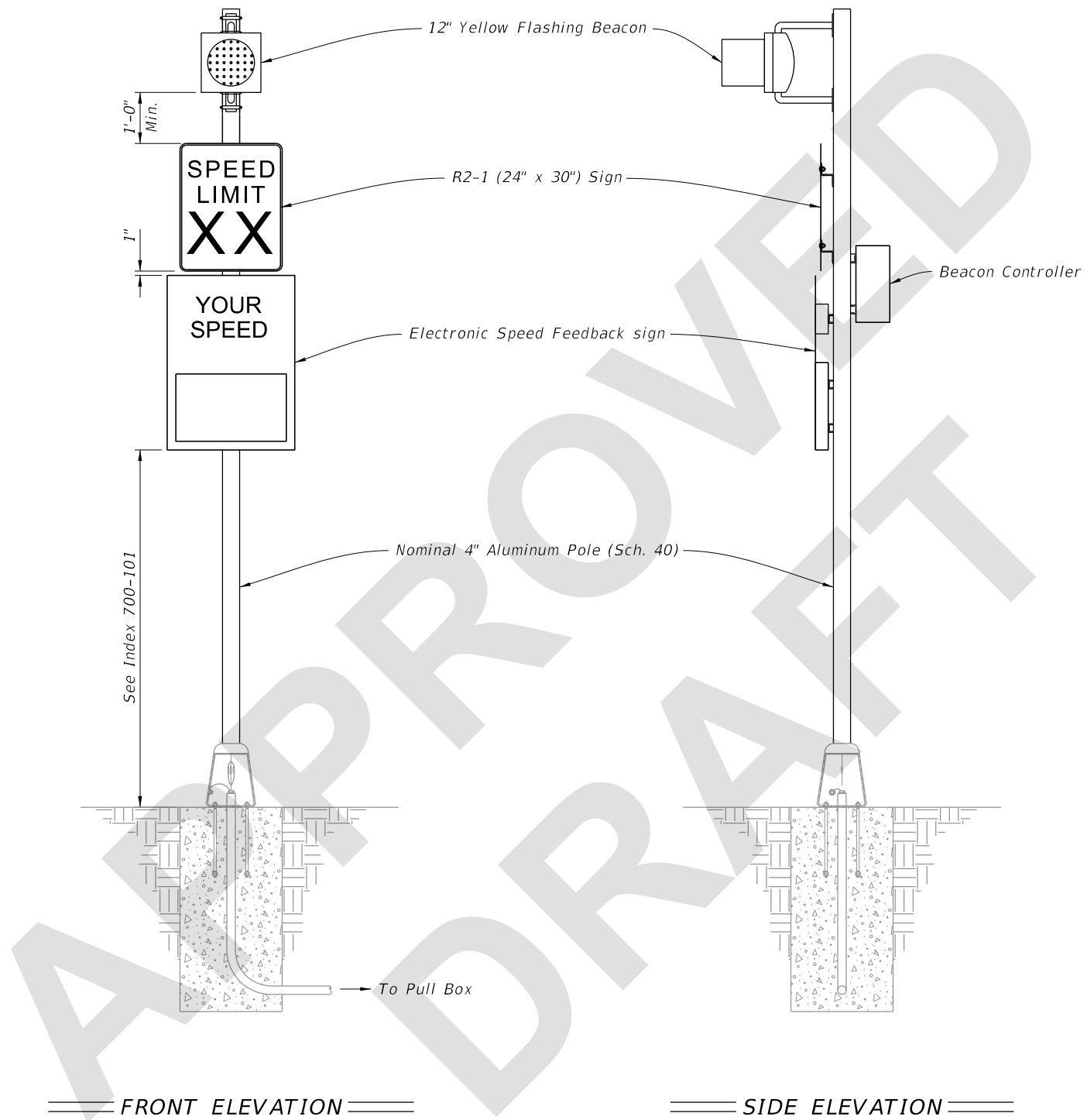
NOTES:

1. Type A3 Assembly (conventionally powered) is shown. Type B3 Assemblies (solar powered) similar.
2. Use electronic speed feedback sign with 15" high numerals for posted speed of 45 mph or less, and 18" high numerals for posted speeds greater than 45 mph.
3. Foundation reinforcement not shown.

6/6/2024 9:00:35 AM

ROADSIDE SIGN ASSEMBLY-3


| | | | | | | |
|---------------------------|----------|--------------|---|-------------------------------------|------------------|------------------|
| LAST REVISION 11/01/24 | REVISION | DESCRIPTION: |  FY 2025-26 STANDARD PLANS | ENHANCED HIGHWAY SIGNING ASSEMBLIES | INDEX 700-120 | SHEET 6 of 13 |
|---------------------------|----------|--------------|---|-------------------------------------|------------------|------------------|

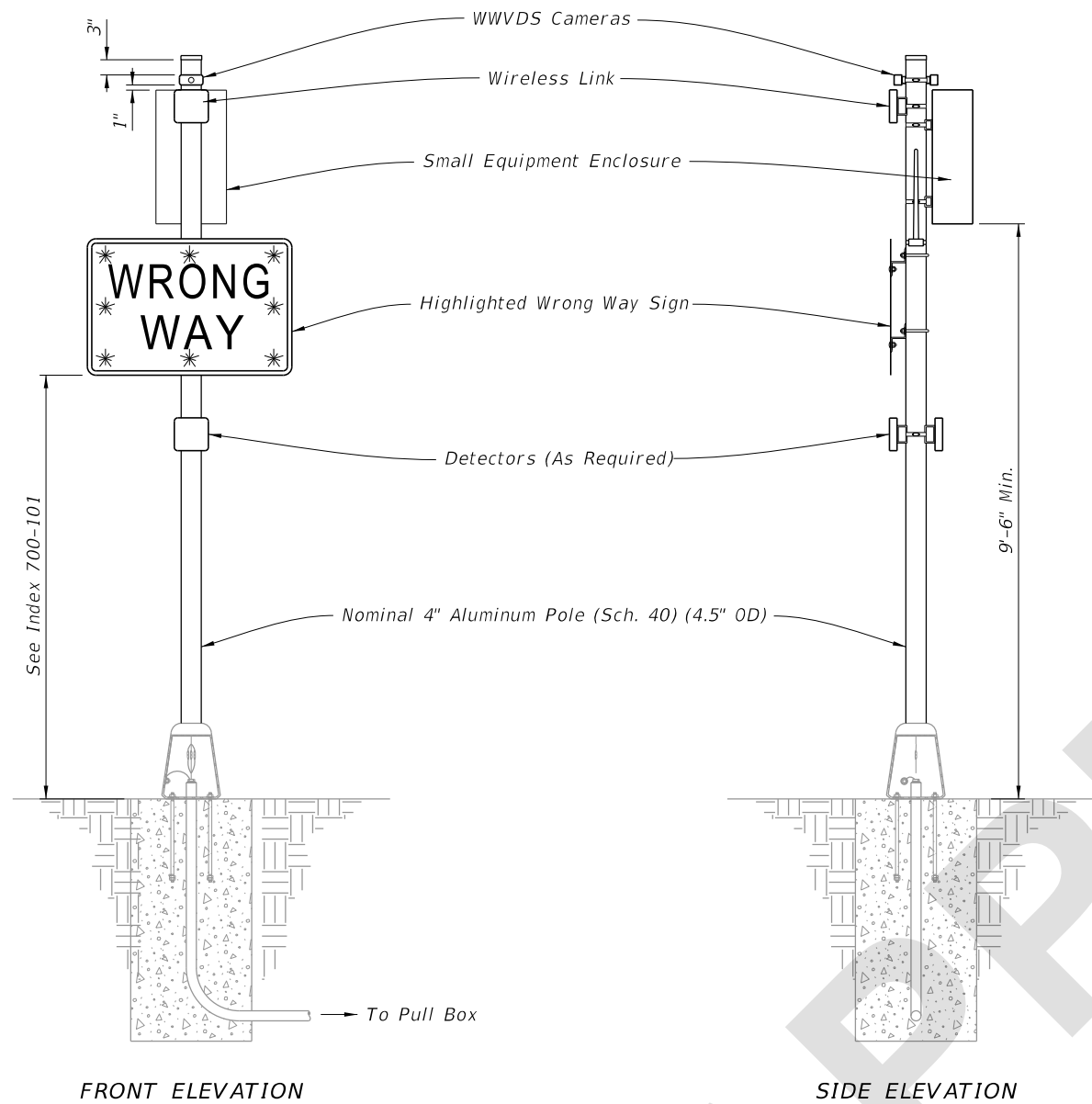


NOTES:

1. Type A6 Assembly (conventionally powered) is shown. Type B6 Assemblies (solar powered) similar.
2. Use electronic speed feedback sign with 15" high numerals for posted speed of 45 mph or less, and 18" high numerals for posted speeds greater than 45 mph.
3. Foundation reinforcement not shown.

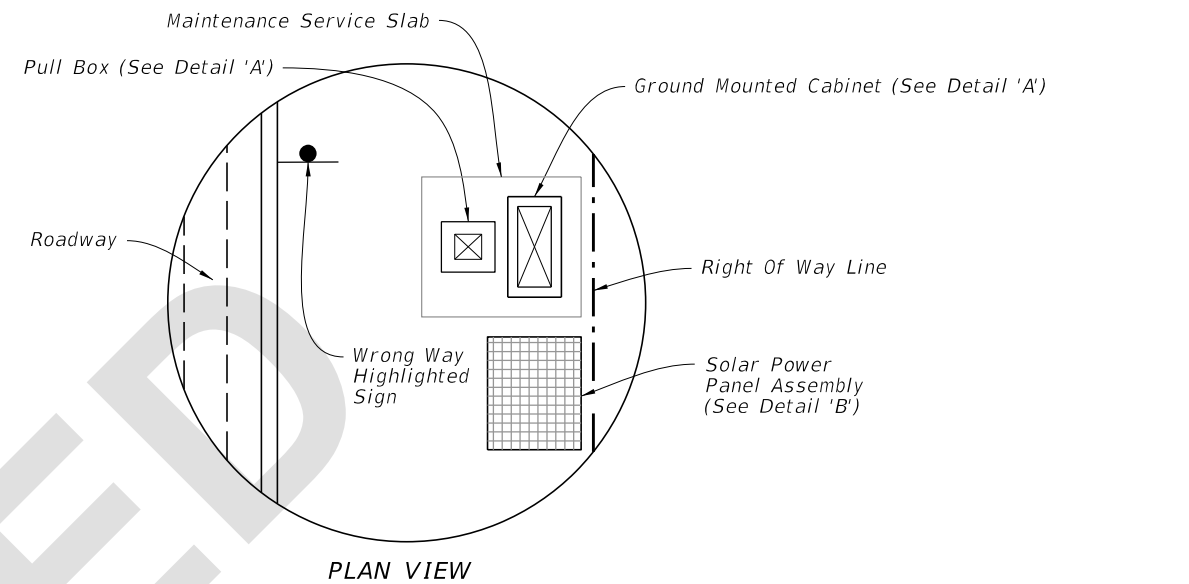
6/6/2024 9:00:42 AM

| | | | | | | |
|---------------------------|--------------|---|------------------------------|-------------------------------------|------------------|------------------|
| LAST REVISION 11/01/24 | DESCRIPTION: |  | FY 2025-26 STANDARD PLANS | ENHANCED HIGHWAY SIGNING ASSEMBLIES | INDEX 700-120 | SHEET 7 of 13 |
|---------------------------|--------------|---|------------------------------|-------------------------------------|------------------|------------------|

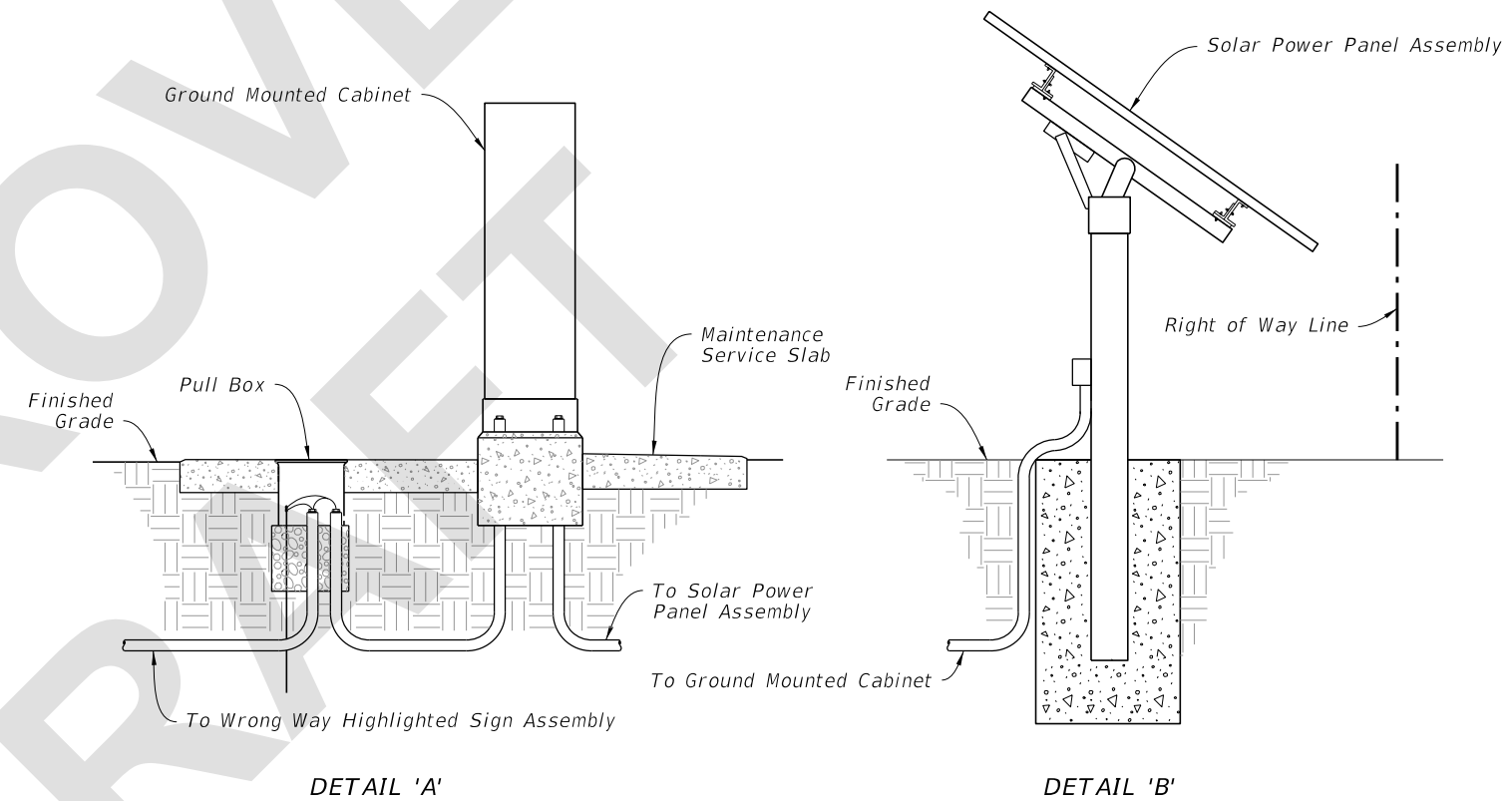


FRONT ELEVATION

SIDE ELEVATION



PLAN VIEW



DETAIL 'A'

DETAIL 'B'

WRONG WAY HIGHLIGHTED SIGN ASSEMBLY


SOLAR POWER ASSEMBLY

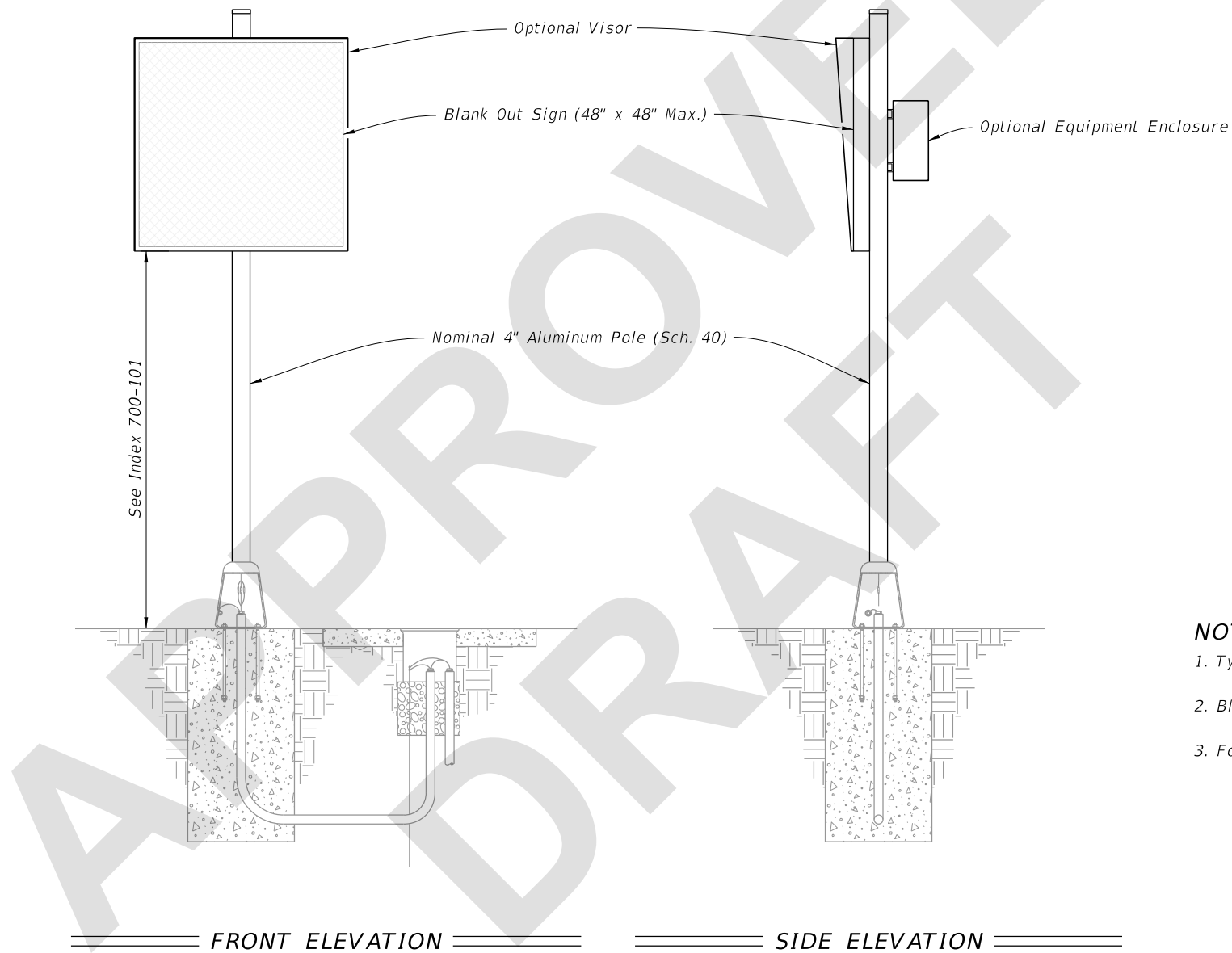
NOTES:

1. Install Wrong Way Vehicle Detection System (WWVDS) devices including cameras, detectors, wireless links, antennas, enclosures, and electronics in accordance with the manufacturer's instructions.
2. When a solar powered configuration (Type B7) is called for in the Plans, install a ground mounted cabinet and solar power panel assembly. Install the solar charge controller and batteries in the same ground mounted cabinet. Provide a separate pole for mounting the solar panel (DETAIL 'B' shown for illustration purposes only) and install in accordance with manufacturer's instructions. Locate the Solar Power Assembly as close to the right of way as possible. Orient the solar panel to face South.
3. Foundation reinforcement not shown.
4. Install cabinets in accordance with Index 676-010.

ROADSIDE SIGN ASSEMBLY-5

6/6/2024 9:00:49 AM


| | | | | | | | |
|---------------------------|----------|--------------|---|------------------------------|-------------------------------------|------------------|------------------|
| LAST REVISION 11/01/24 | REVISION | DESCRIPTION: |  | FY 2025-26 STANDARD PLANS | ENHANCED HIGHWAY SIGNING ASSEMBLIES | INDEX 700-120 | SHEET 8 of 13 |
|---------------------------|----------|--------------|---|------------------------------|-------------------------------------|------------------|------------------|



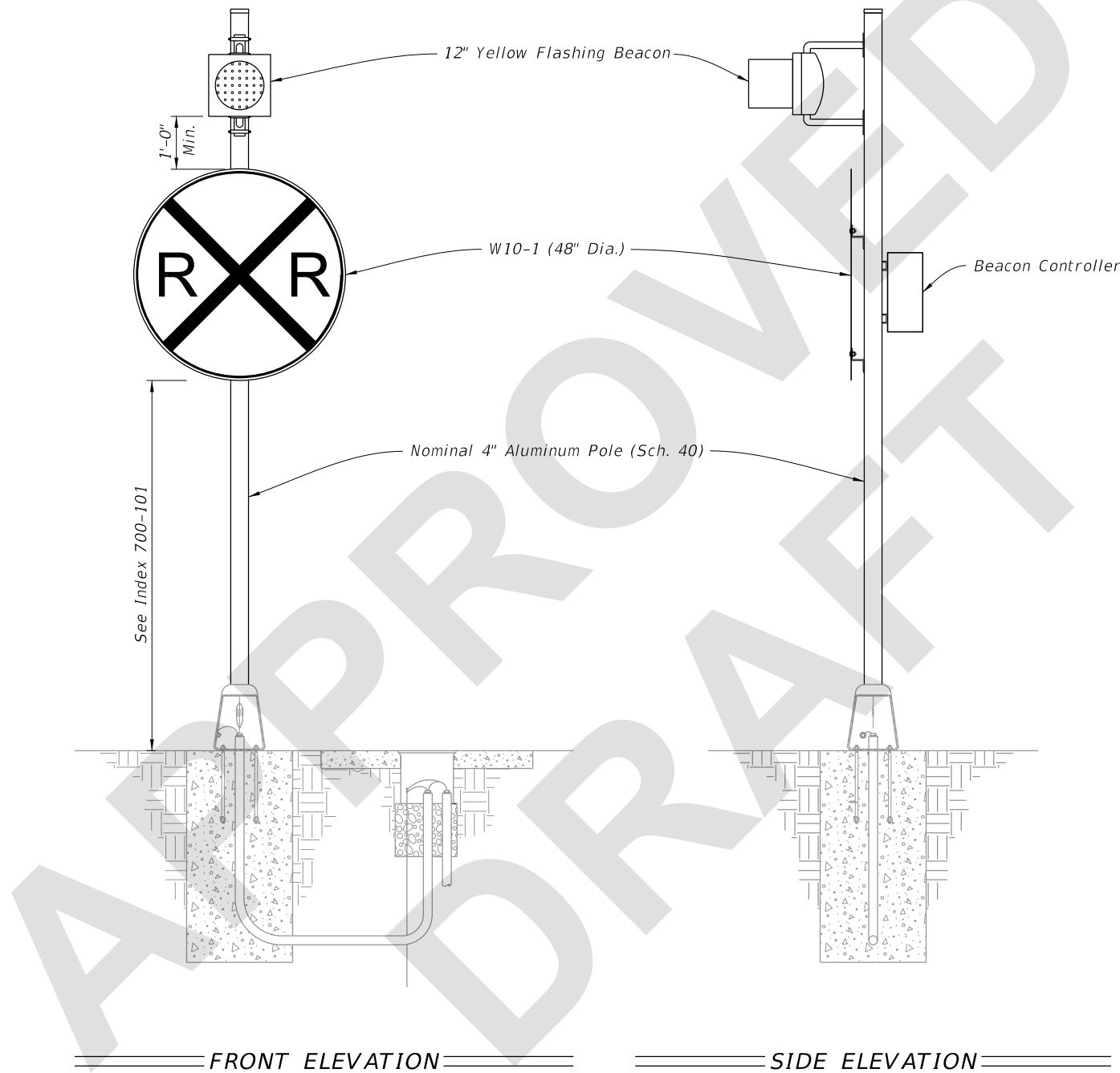
NOTES:

- 1. Type A8 Assembly (conventionally powered) is shown.
- 2. Blank Out Sign visors are optional.
- 3. Foundation reinforcement not shown.

6/6/2024 9:00:56 AM


| | | | | | | | |
|------------------------------|----------|--------------|---|------------------------------|-------------------------------------|------------------|------------------|
| LAST REVISION 11/01/24 | REVISION | DESCRIPTION: |  | FY 2025-26 STANDARD PLANS | ENHANCED HIGHWAY SIGNING ASSEMBLIES | INDEX 700-120 | SHEET 9 of 13 |
|------------------------------|----------|--------------|---|------------------------------|-------------------------------------|------------------|------------------|

ROADSIDE SIGN ASSEMBLY-6

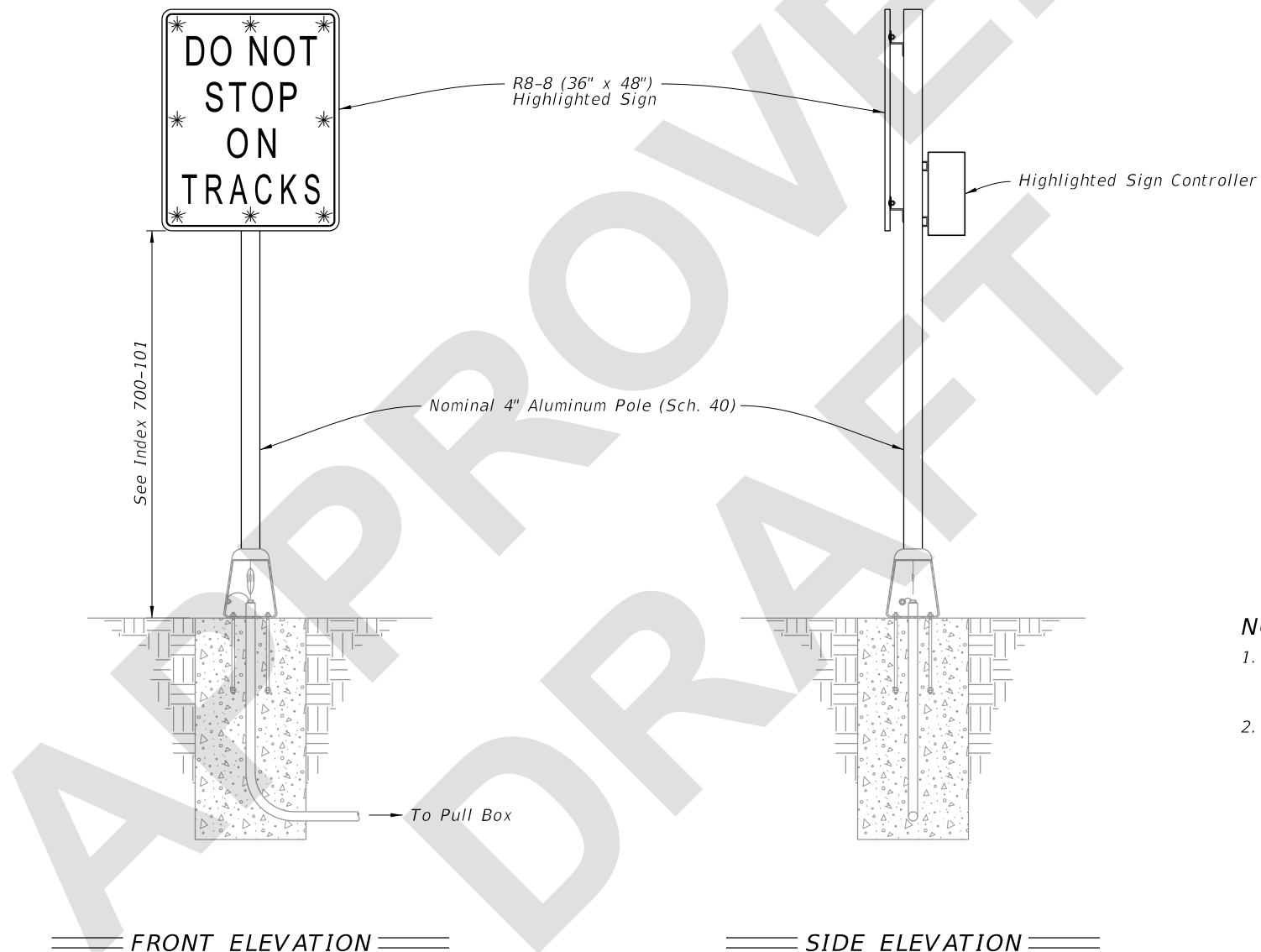


- NOTES:**
1. Type A9 Assembly (conventionally powered) is shown.
Type B9 Assemblies (solar powered) similar.
 2. Foundation reinforcement not shown.

6/6/2024 9:01:03 AM

| | | | | | | |
|------------------------------|----------|--------------|---|-------------------------------------|------------------|-------------------|
| LAST REVISION 11/01/24 | REVISION | DESCRIPTION: |  FY 2025-26 STANDARD PLANS | ENHANCED HIGHWAY SIGNING ASSEMBLIES | INDEX 700-120 | SHEET 10 of 13 |
|------------------------------|----------|--------------|---|-------------------------------------|------------------|-------------------|

ROADSIDE SIGN ASSEMBLY-7




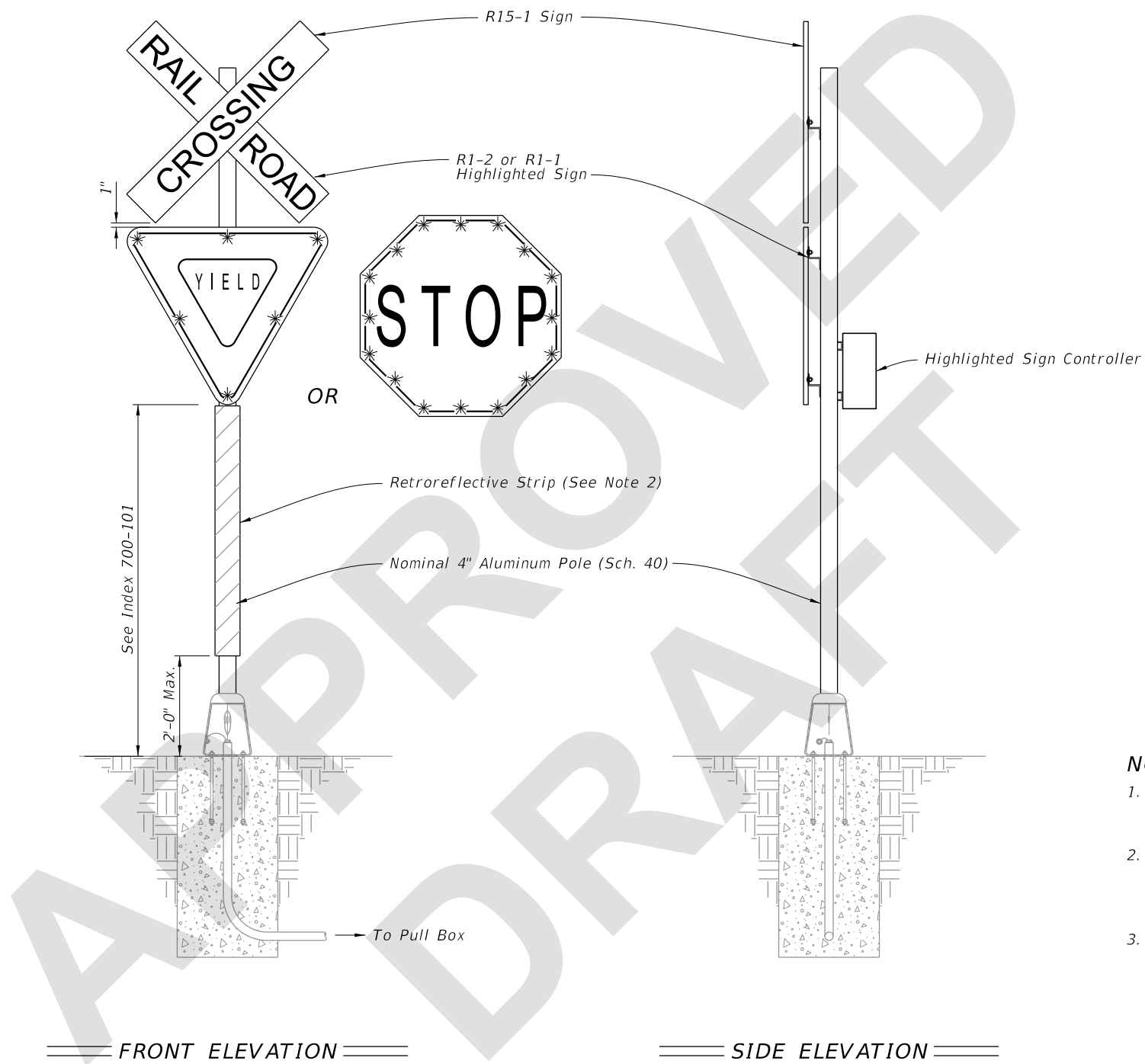
NOTES:

1. Type A10 Assembly (conventionally powered) is shown.
Type B10 Assemblies (solar powered) similar.
2. Foundation reinforcement not shown.

6/6/2024 9:01:10 AM

ROADSIDE SIGN ASSEMBLY-8

| | | | | | | |
|------------------------------|----------|--------------|---|-------------------------------------|------------------|-------------------|
| LAST REVISION 11/01/24 | REVISION | DESCRIPTION: |  FY 2025-26 STANDARD PLANS | ENHANCED HIGHWAY SIGNING ASSEMBLIES | INDEX 700-120 | SHEET 11 of 13 |
|------------------------------|----------|--------------|---|-------------------------------------|------------------|-------------------|




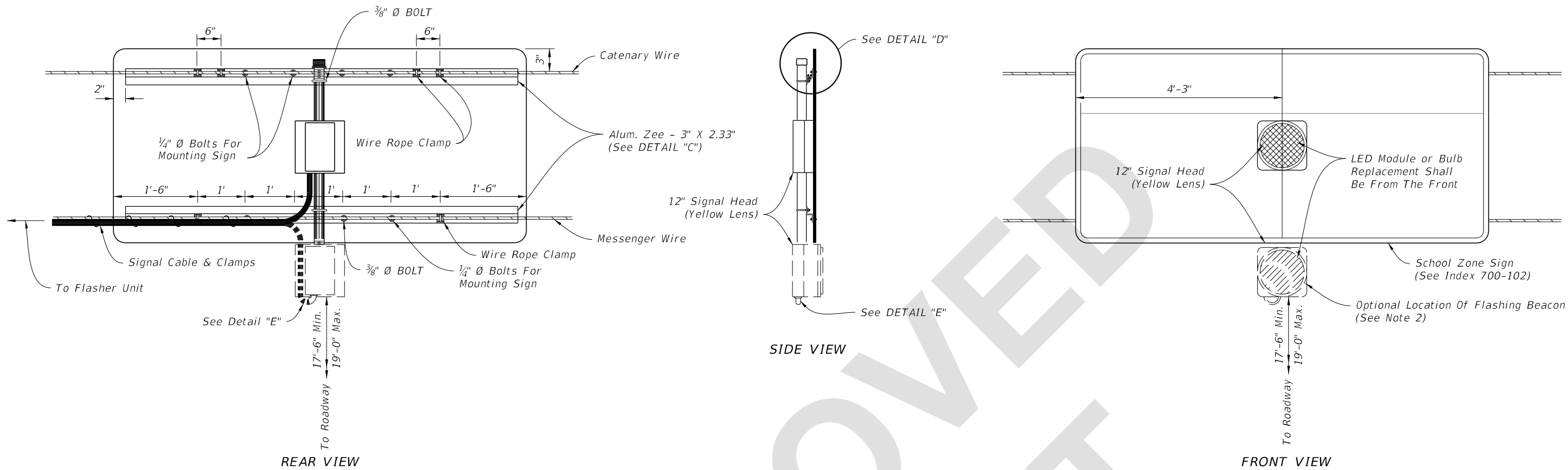
NOTES:

1. Type A11 Assembly (conventionally powered) is shown. Type B11 Assemblies (solar powered) similar.
2. Install red retroreflective strip on front and white retroreflective strip on back in accordance with Specification 700.
3. Foundation reinforcement not shown.

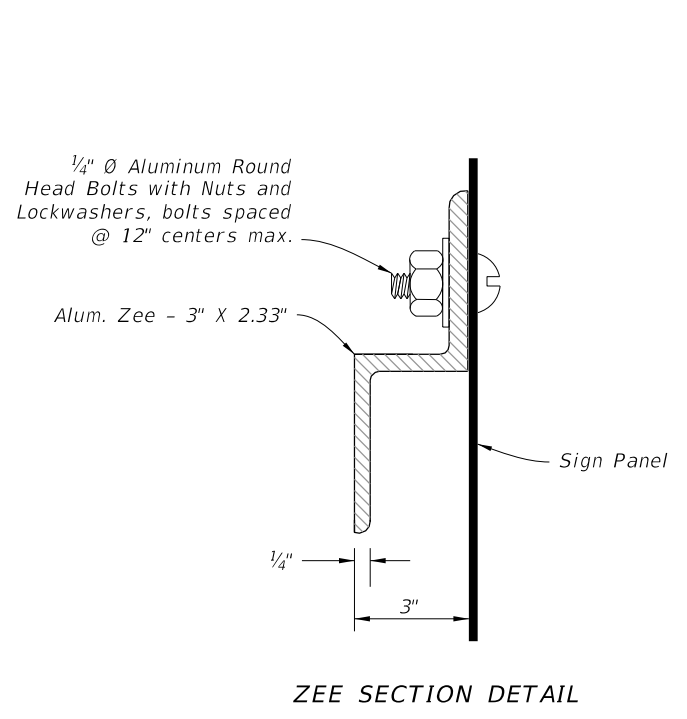
6/6/2024 9:01:17 AM

ROADSIDE SIGN ASSEMBLY-9

| | | | | | | |
|---------------------------|----------|--------------|---|-------------------------------------|------------------|-------------------|
| LAST REVISION 11/01/24 | REVISION | DESCRIPTION: |  FY 2025-26 STANDARD PLANS | ENHANCED HIGHWAY SIGNING ASSEMBLIES | INDEX 700-120 | SHEET 12 of 13 |
|---------------------------|----------|--------------|---|-------------------------------------|------------------|-------------------|

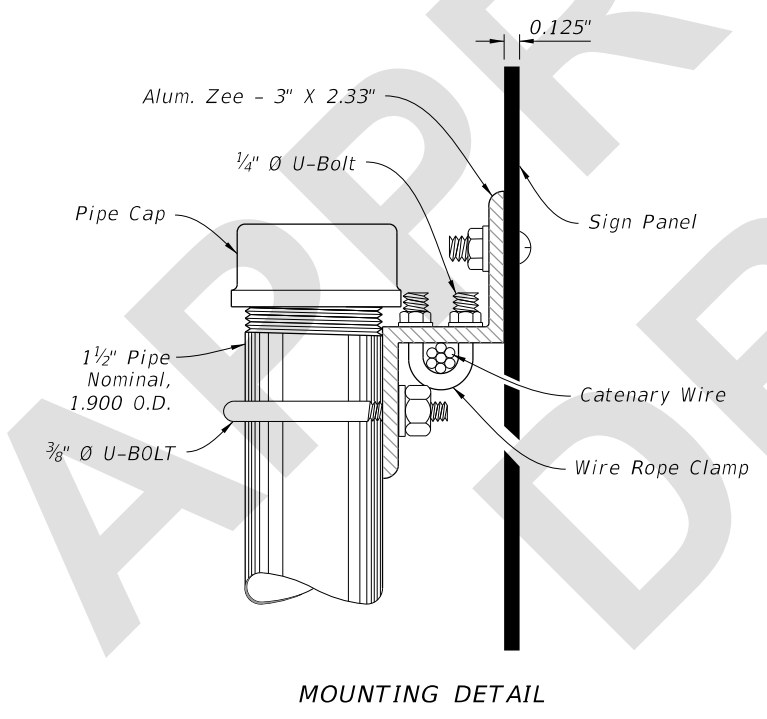


OVERHEAD SCHOOL SIGN ASSEMBLY



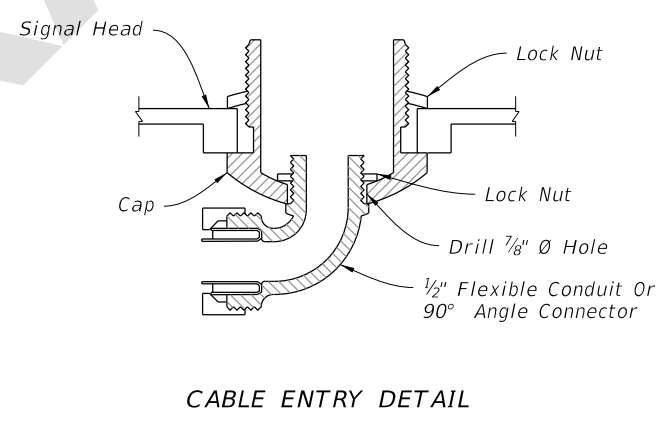
ZEE SECTION DETAIL

DETAIL "C"



MOUNTING DETAIL

DETAIL "D"



CABLE ENTRY DETAIL

DETAIL "E"

NOTES:

1. Flasher unit and cabinet to be placed on the strain pole supporting overhead sign assembly or on service pole. The flasher unit not to overhang private property or sidewalk.
2. Optional flashing beacon will be called for in the Plans. They may be placed within or below the panel, or face to the rear.

6/6/2024 9:01:23 AM

OVERHEAD SIGN ASSEMBLY

| | | | | | | | |
|---------------------------|----------|--------------|--|------------------------------|-------------------------------------|------------------|-------------------|
| LAST REVISION 11/01/24 | REVISION | DESCRIPTION: | | FY 2025-26 STANDARD PLANS | ENHANCED HIGHWAY SIGNING ASSEMBLIES | INDEX 700-120 | SHEET 13 of 13 |
|---------------------------|----------|--------------|--|------------------------------|-------------------------------------|------------------|-------------------|