

Origination Form

Proposed Revisions to a Standard Plans Index

Originator:	Turley, Joshua	Index Number:	700-041
Date:	4/11/2024	Sheet Number(s):	2
E-mail:	Joshua.Turley@dot.state.fl.us	Index Title:	SPAN SIGN STRUCTURE

Summary of the changes:

Sheet 2: Added labeling to the Anchor bolt nuts in BASE PLATE CONNECTION - ELEVATION

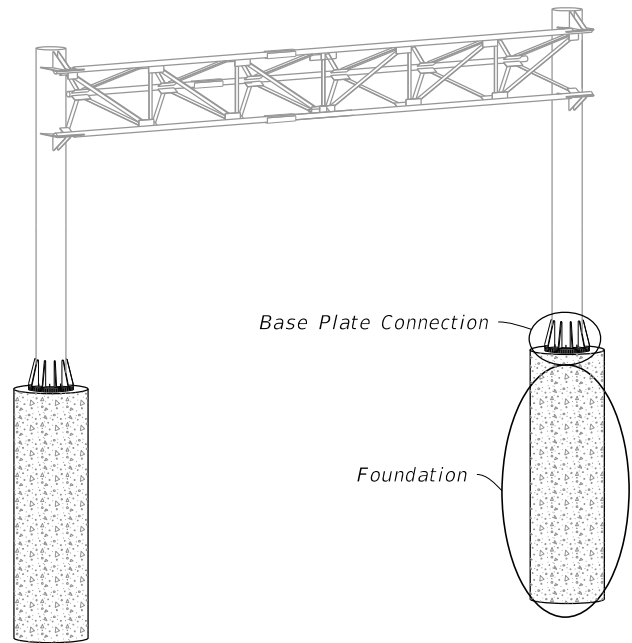
Commentary/Background:

Labels were added to correspond correctly with upcoming spec change to Spec 649.

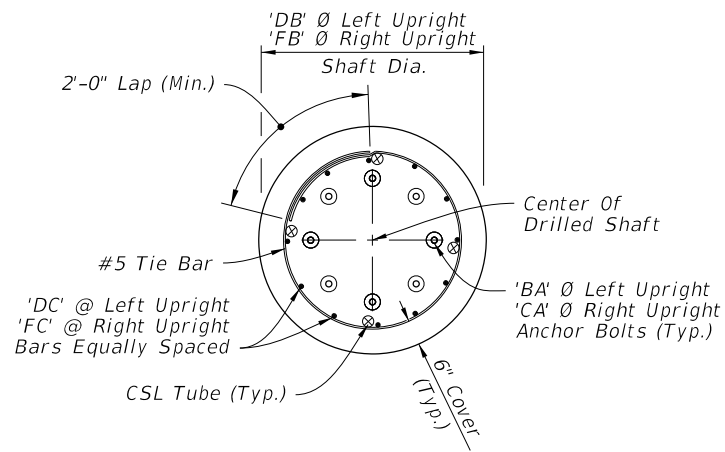
Other Affected Documents/Offices	Person Contacted	Affected (Yes/No)
Other Standard Plans		No
FDOT Design Manual		No
Standard Specifications		No
Basis of Estimates Manual		No
Approved Product List		No
Construction Office		No
Maintenance Office		No

Implementation

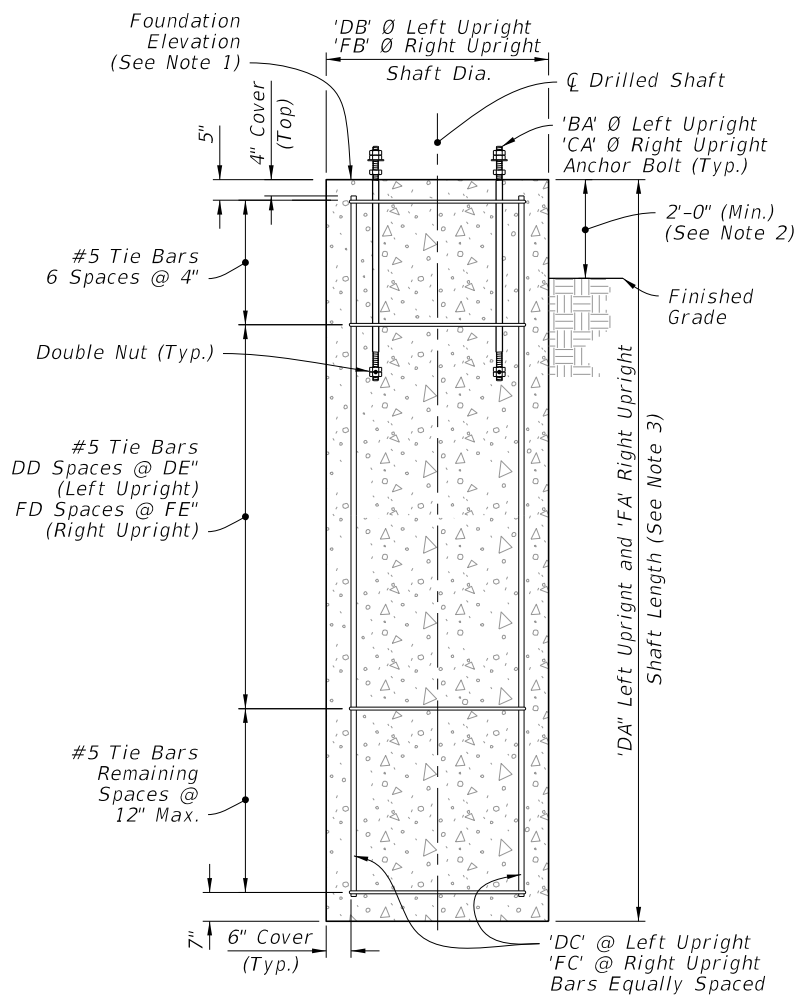
["FY-Standard Plans (Next Release)"]



SPAN SIGN ASSEMBLY



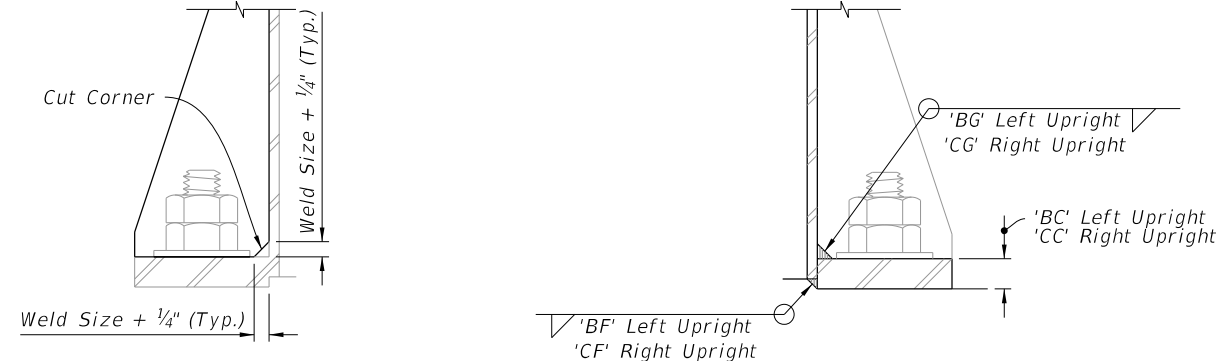
PLAN



ELEVATION

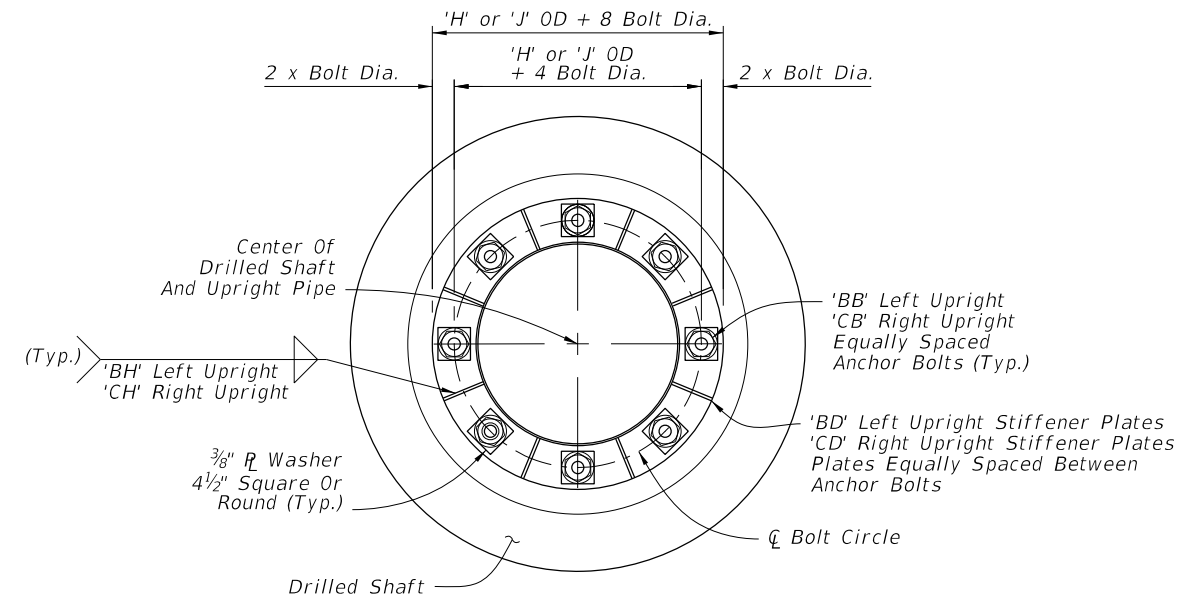
DRILLED SHAFT

FOUNDATION



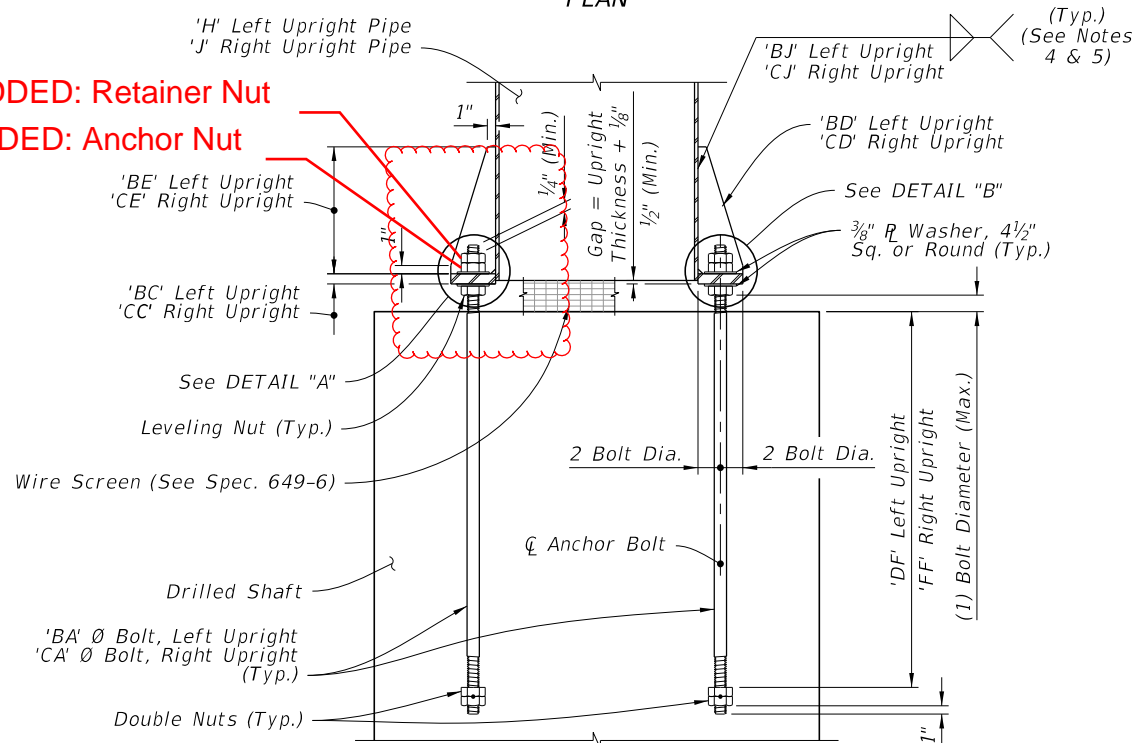
DETAIL "A"

DETAIL "B"



PLAN

ADDED: Retainer Nut
ADDED: Anchor Nut



ELEVATION

BASE PLATE CONNECTION

NOTES:

1. See Traffic Plans for elevation at top of Foundation.
2. Install Drilled Shaft with a 2'-0" minimum from top elevation of the drill shaft to the finished grade, unless specified otherwise in the plans.
3. The shaft length is based on 2'-0" height above finished grade.
4. Wrap fillet weld around the stiffener termination on the tube wall (Typ).
5. After galvanizing, provide magnetic particle testing on 100% of upright fillet welds.
6. Weld plates 'BD' and 'CD' in a star pattern. A star pattern is one in which the plates on opposite and near opposite sides of the pole circle are successively welded in a pattern resembling a star. For an 8 plate circle with plates sequentially numbered 1 to 8, weld the plates in the following order: (1, 5, 7, 3, 8, 4, 6, 2).

10/17/2023 7:23:29 AM

LAST 24 REVISION	DESCRIPTION:
11/01/22	

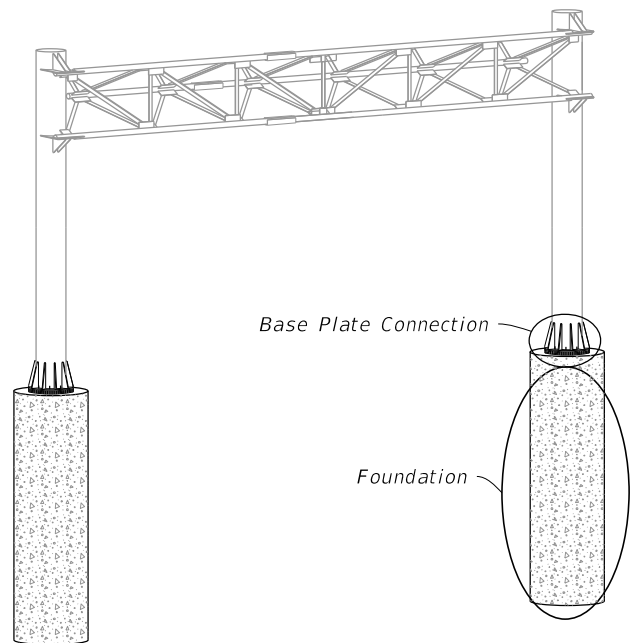


FY 2024-25
STANDARD PLANS

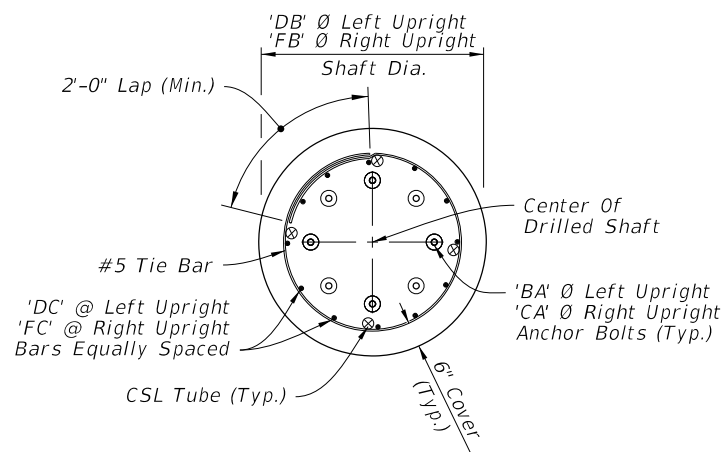
SPAN SIGN STRUCTURE

INDEX
700-041

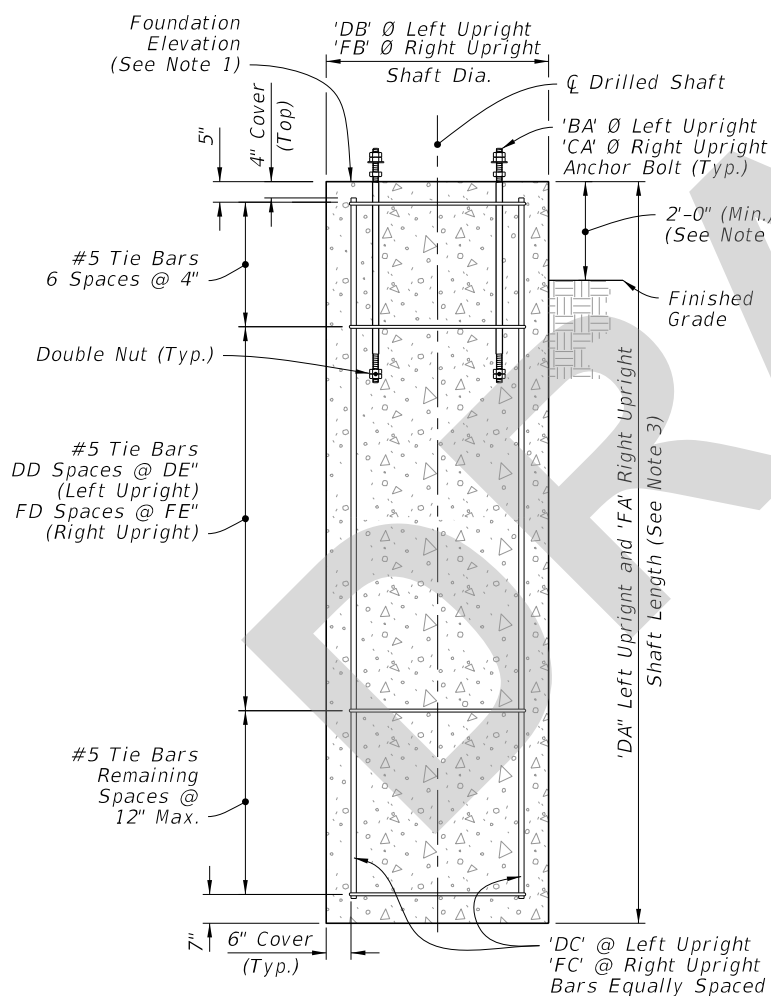
SHEET
2 of 5



SPAN SIGN ASSEMBLY



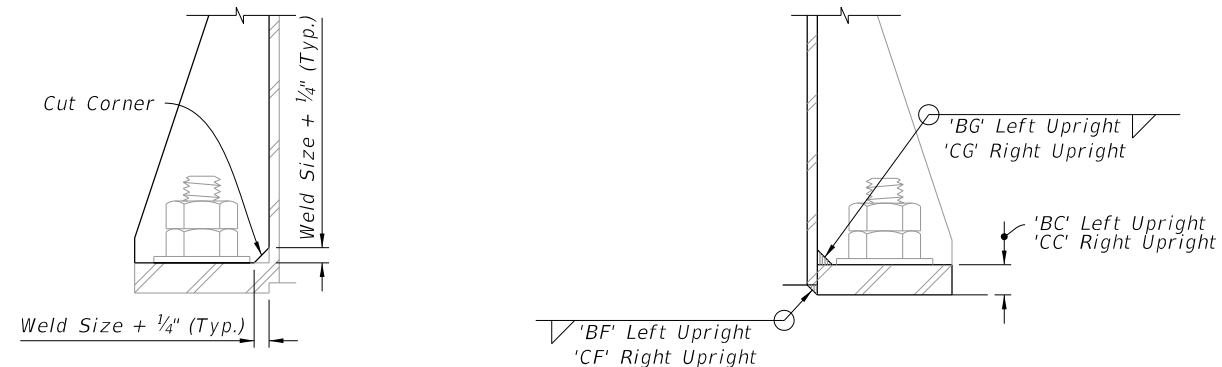
PLAN



ELEVATION

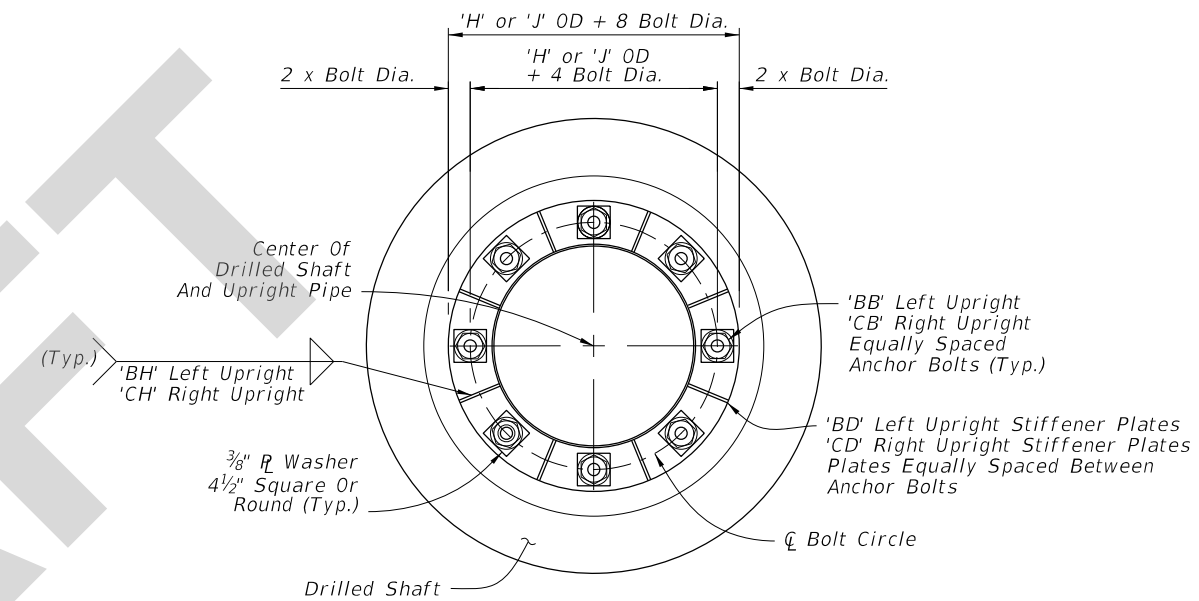
DRILLED SHAFT

FOUNDATION

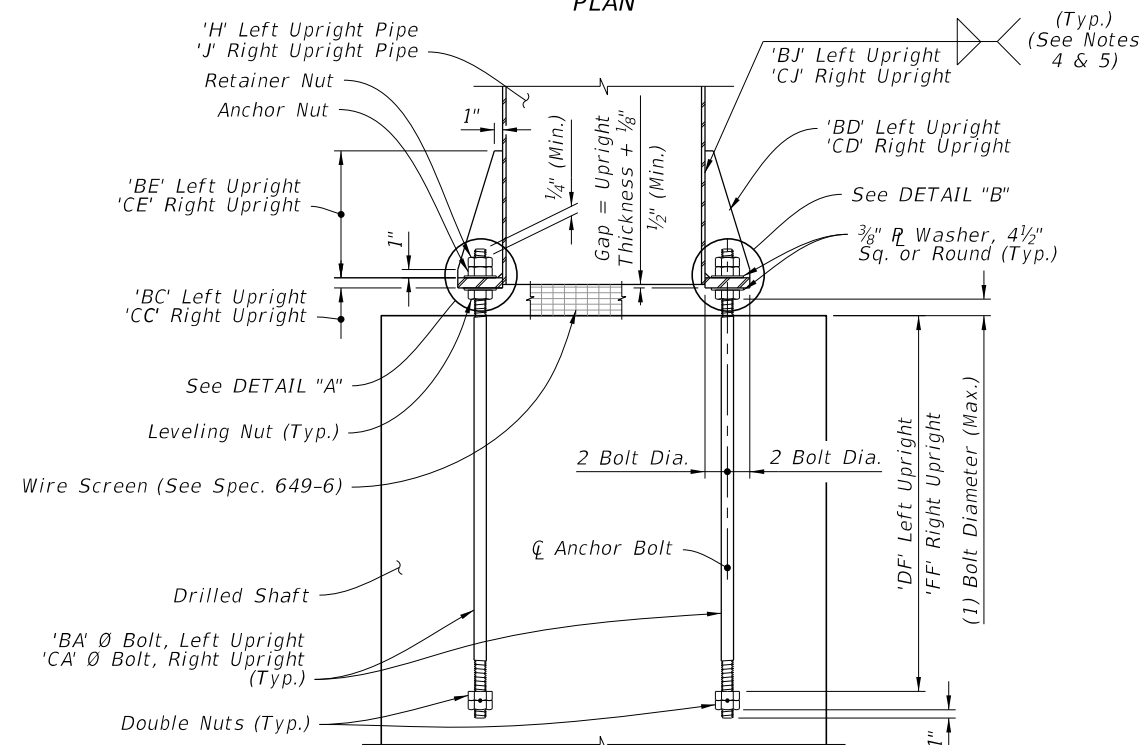


DETAIL "A"

DETAIL "B"



PLAN



ELEVATION

BASE PLATE CONNECTION

NOTES:

- See Traffic Plans for elevation at top of Foundation.
- Install Drilled Shaft with a 2'-0" minimum from top elevation of the drill shaft to the finished grade, unless specified otherwise in the plans.
- The shaft length is based on 2'-0" height above finished grade.
- Wrap fillet weld around the stiffener termination on the tube wall (Typ.).
- After galvanizing, provide magnetic particle testing on 100% of upright fillet welds.
- Weld plates 'BD' and 'CD' in a star pattern. A star pattern is one in which the plates on opposite and near opposite sides of the pole circle are successively welded in a pattern resembling a star. For an 8 plate circle with plates sequentially numbered 1 to 8, weld the plates in the following order: (1, 5, 7, 3, 8, 4, 6, 2).

8:58:42 AM
5/29/2024

LAST REVISION 11/01/24	DESCRIPTION:		FY 2025-26 STANDARD PLANS	SPAN SIGN STRUCTURE	INDEX	SHEET
					700-041	2 of 5