

# Origination Form

## Proposed Revisions to a Standard Plans Index

<b>Originator:</b>	Stutts, Dylan	<b>Index Number:</b>	700-010
<b>Date:</b>	6/27/2024	<b>Sheet Number(s):</b>	7
<b>E-mail:</b>	Dylan.Stutts@dot.state.fl.us	<b>Index Title:</b>	SINGLE COLUMN GROUND SIGNS

### Summary of the changes:

Sheet 7: Updated the flip sign to allow for multiple sign panels; Removed the diamond sign panel; Updated Note 1 to "Install sign with the ESU sign panel in the undeployed (up) position."; Added Note 5 "Multi sign panel assembly only use one of the following approved signs: FTP 43-06, FTP 47-06, and FTP 66-21."; Added ESU to sheet title

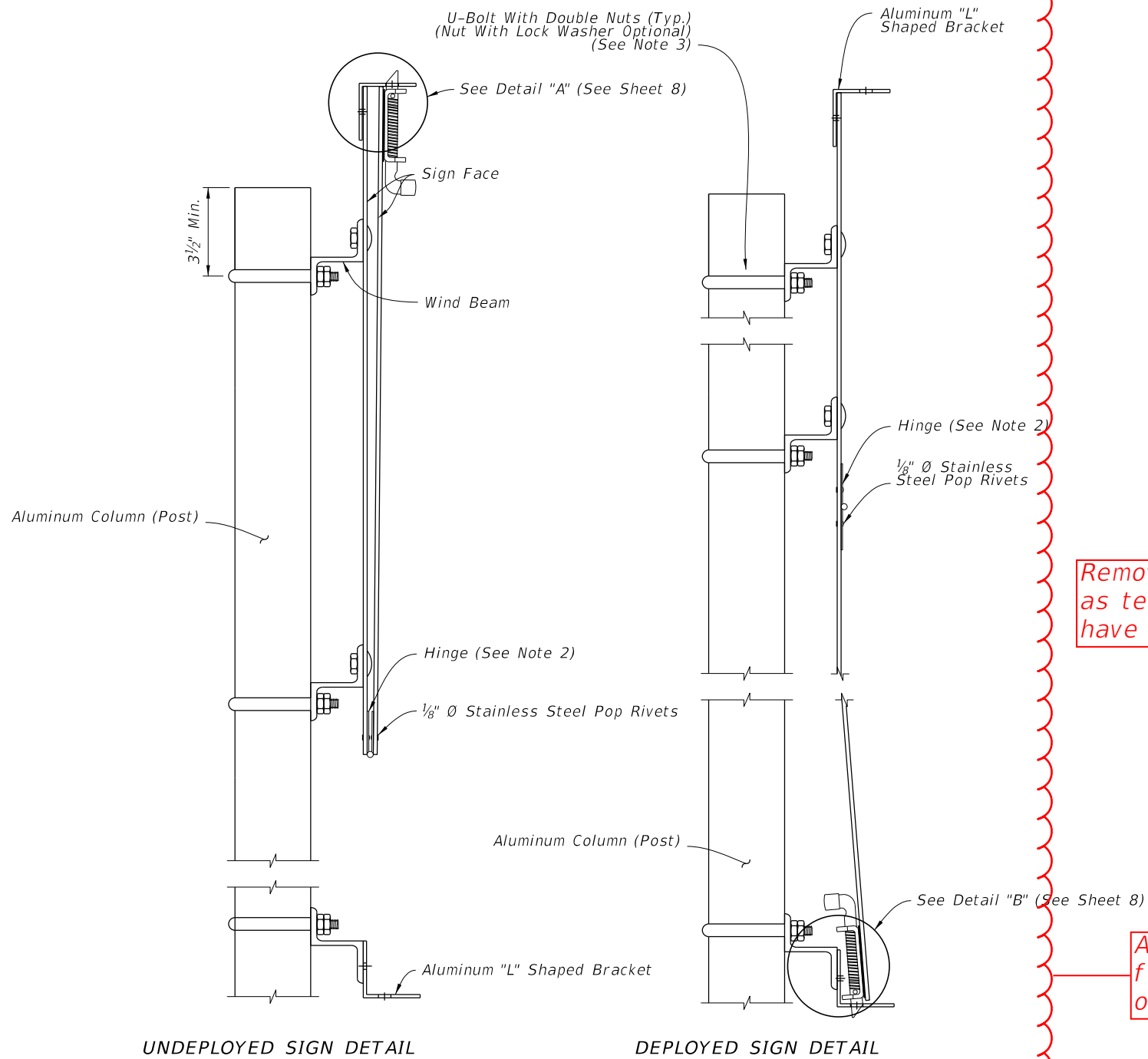
### Commentary/Background:

The changes are coming from head of CO Traffic ops based on request from DTOEs to allow for multiple sign panels on the ESU flip sign. Updated the Standard Plan to allow for two sign panels which were approved by CO Traffic Ops. During ESU meeting districts request the use of static sign while ESU sign was not deployed. Removed the diamond sign panel as this is not used for permanent ESU signs.

Other Affected Documents/Offices	Person Contacted	Affected (Yes/No)
Other Standard Plans		No
FDOT Design Manual		No
Standard Specifications		No
Basis of Estimates Manual		No
Approved Product List		No
Construction Office		No
Maintenance Office		No

### Implementation

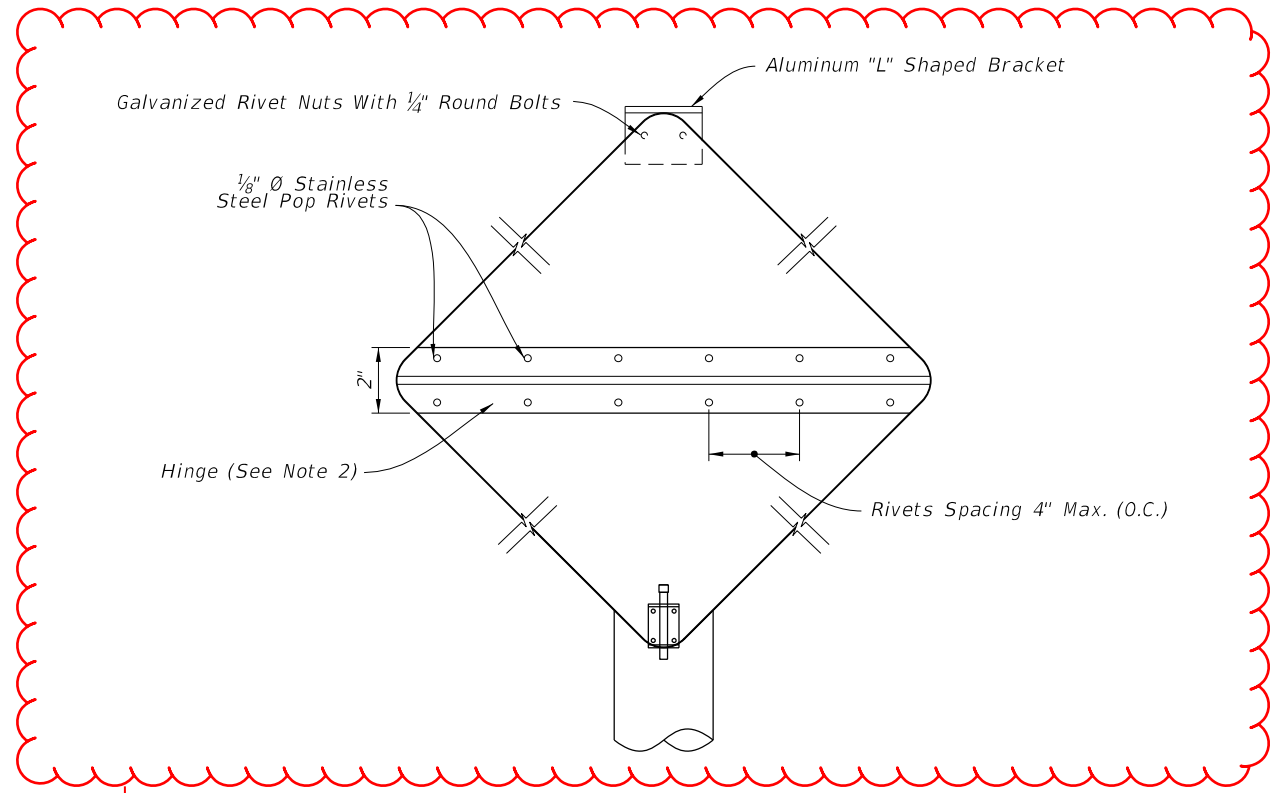
["FY-Standard Plans (Next Release)"]



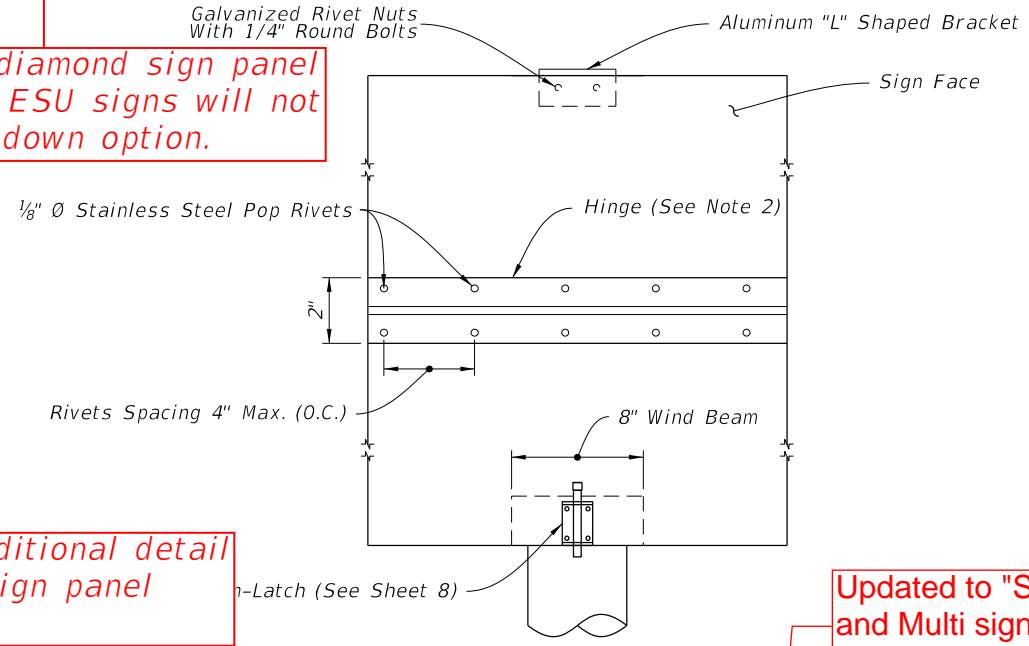
UNDEPLOYED SIGN DETAIL

DEPLOYED SIGN DETAIL

SIGN PANEL SIDE VIEW



Removed the diamond sign panel as temporary ESU signs will not have the flip down option.



SIGN PANEL FRONT VIEW

Updated to "Single and Multi sign panel front view"

Added additional detail for two sign panel option

NOTES:

1. Install sign in the undeployed (up) position.
2. Provide a continuous stainless steel hinge with minimum 0.060" leaf thickness, 2" open width and 0.120" pin.
3. Install Stainless Steel Spring Loaded Slam-Latch with cover to bottom face of flip sign per manufacturer's.
4. Punch or drill a 3/4" diameter hole in the "L" shaped bracket on site to match location of 1/2" wide slam-latch pin. Remove any burrs or sharp edges.

Added Note 5: Multi sign panel assembly only use one of the following approved signs: FTP 43-06, FTP 47-06, and FTP 66-21.

Added ESU between "For" and "Flip"

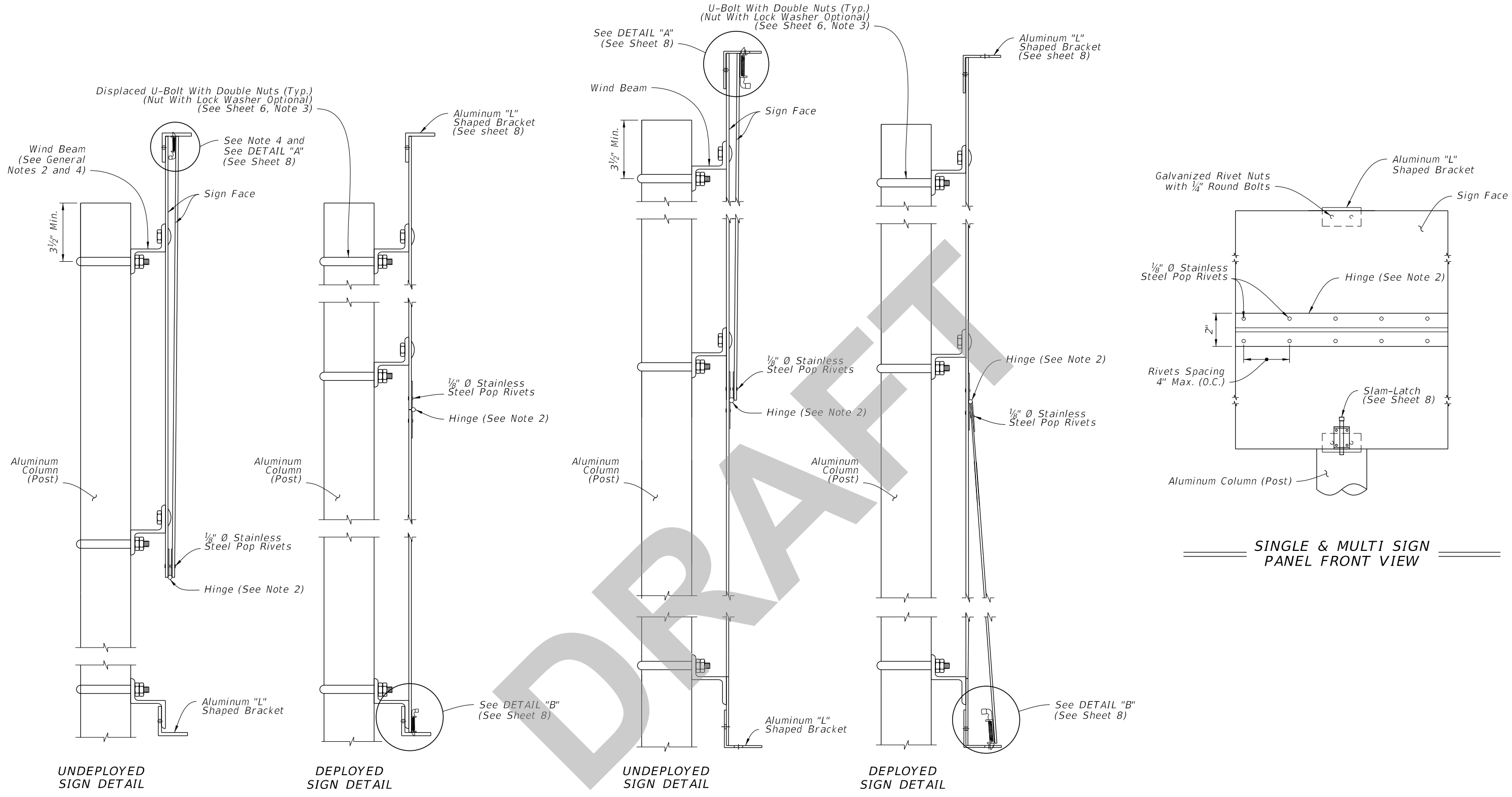
Changed language "Install sign with ESU sign panel in the undeployed (up) position."

WIND BEAM CONNECTION FOR FLIP DOWN SIGN

10/3/2023

LAST REVISION		DESCRIPTION:		2025-26 <del>FY 2024-25</del> STANDARD PLANS	SINGLE COLUMN GROUND SIGNS	INDEX	SHEET
11/01/22	11/01/24					700-010	7 of 11

7/31/2024 7:41:55 AM



SINGLE SIGN PANEL SIDE VIEW

MULTI SIGN PANEL SIDE VIEW

SINGLE & MULTI SIGN PANEL FRONT VIEW

**NOTES:**

1. Install sign with ESU sign panel in the undeployed (up) position.
2. Provide a continuous stainless steel hinge with minimum 0.060" leaf thickness, 2" open width and 0.120" pin diameter. Stake the hinge at both ends to prevent pin movement.
3. Install Stainless Steel Spring Loaded Slam-Latch with cover to bottom face of flip sign per manufacturer's recommendations.
4. Punch or drill a 3/4" diameter hole in the "L" shaped bracket on site to match location of 1/2" wide slam-latch pin. Remove any burrs or sharp edges.
5. Multi sign panel assembly only use one of the following approved signs: FTP 43-06, FTP 47-06, and FTP 66-21.

**WIND BEAM CONNECTION FOR ESU FLIP SIGNS**

LAST REVISION	11/01/24	REVISION	DESCRIPTION:
---------------	----------	----------	--------------

**FY 2025-26  
STANDARD PLANS**

SINGLE COLUMN GROUND SIGNS

INDEX	700-010	SHEET	7 of 11
-------	---------	-------	---------