

Origination Form

Proposed Revisions to a Standard Plans Index

| | | | |
|--------------------|-------------------------------|-------------------------|----------------------------|
| Originator: | Turley, Joshua | Index Number: | 630-010 |
| Date: | 6/27/2024 | Sheet Number(s): | 3 |
| E-mail: | Joshua.Turley@dot.state.fl.us | Index Title: | CONDUIT DETAILS - EMBEDDED |

Summary of the changes:

Sheet 3: Added a detail to show how to space the rebar around EJB's.

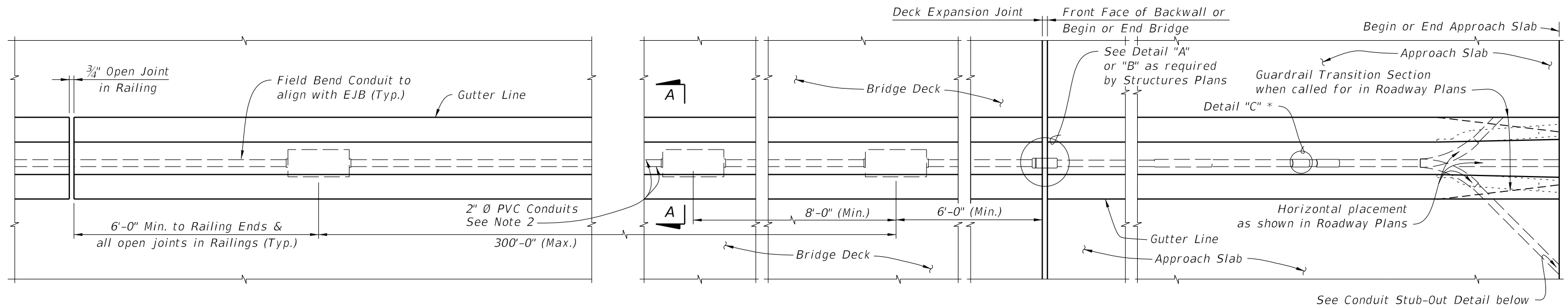
Commentary/Background:

Clarify confusion on how to spread out the rebar around EJB's.

| Other Affected Documents/Offices | Person Contacted | Affected (Yes/No) |
|----------------------------------|------------------|-------------------|
| Other Standard Plans | | No |
| FDOT Design Manual | | No |
| Standard Specifications | | No |
| Basis of Estimates Manual | | No |
| Approved Product List | | No |
| Construction Office | | No |
| Maintenance Office | | No |

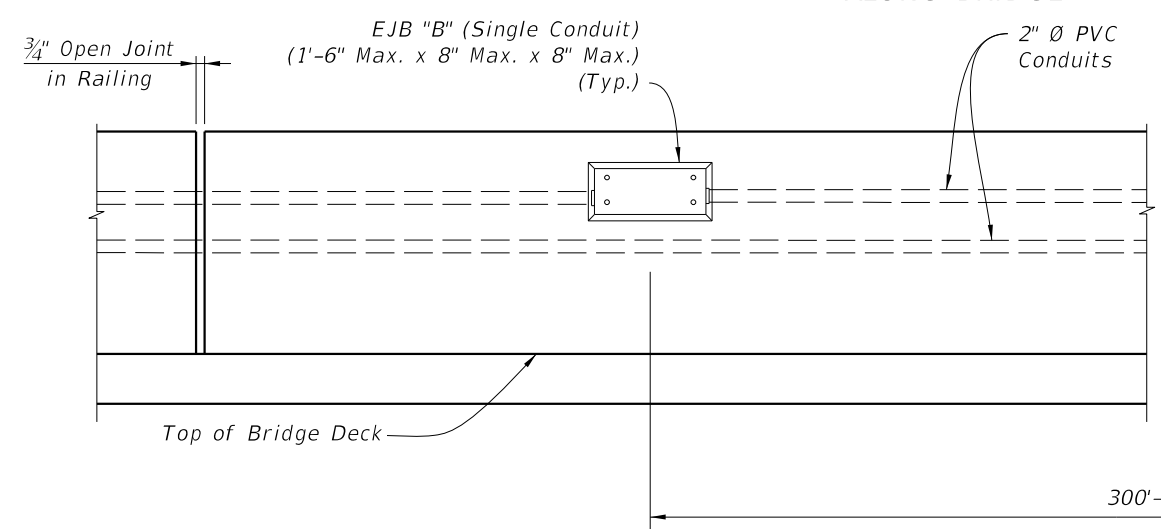
Implementation

["FY-Standard Plans (Next Release)"]

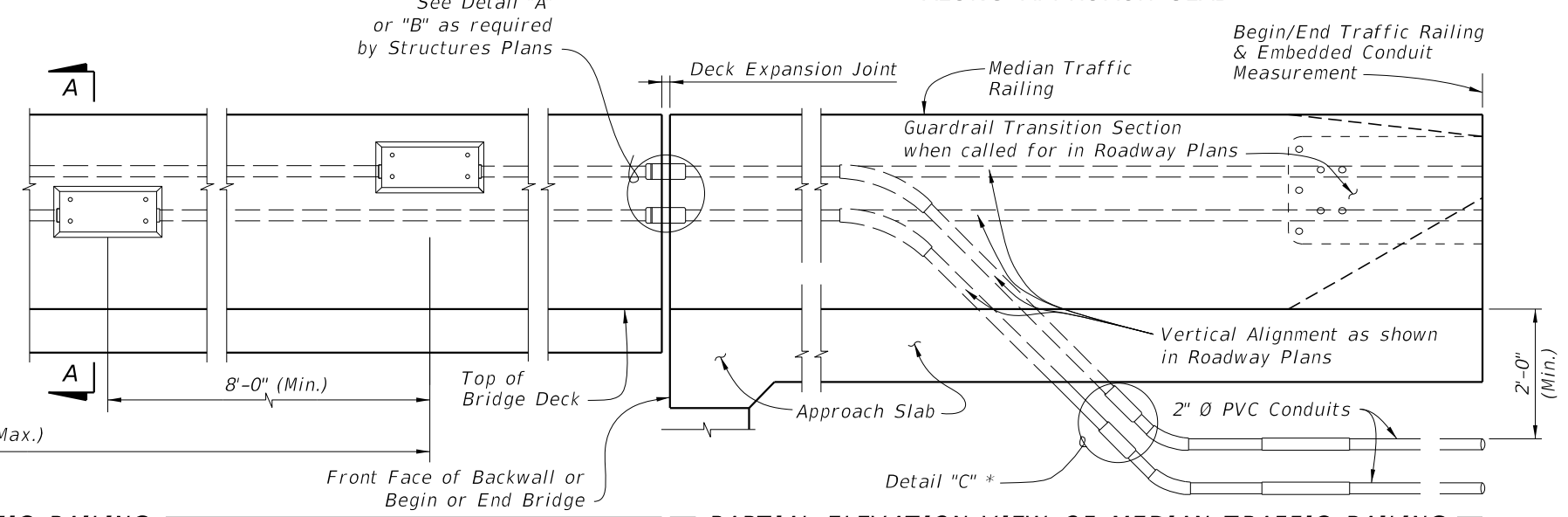


PARTIAL PLAN VIEW OF MEDIAN TRAFFIC RAILING ALONG BRIDGE

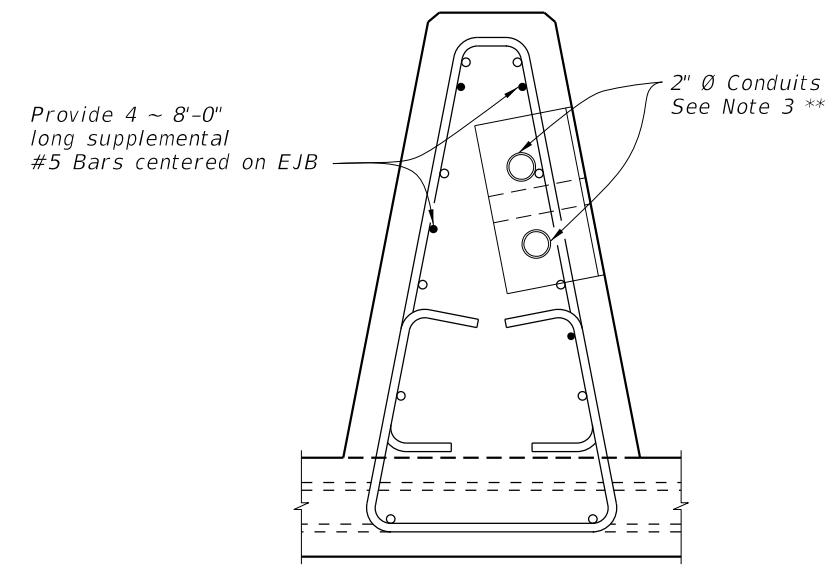
PARTIAL PLAN VIEW OF MEDIAN TRAFFIC RAILING ALONG APPROACH SLAB



PARTIAL ELEVATION VIEW OF MEDIAN TRAFFIC RAILING ALONG BRIDGE

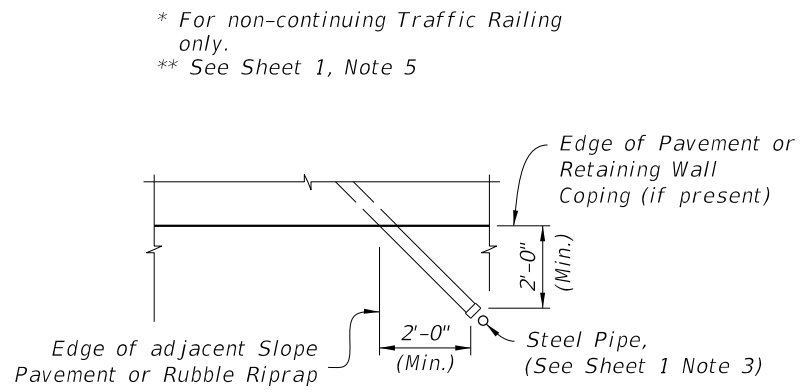


PARTIAL ELEVATION VIEW OF MEDIAN TRAFFIC RAILING ALONG APPROACH SLAB



SECTION A-A
Median Traffic Railing (See Note 4)

ADDED: Rebar spacing elevation detail.



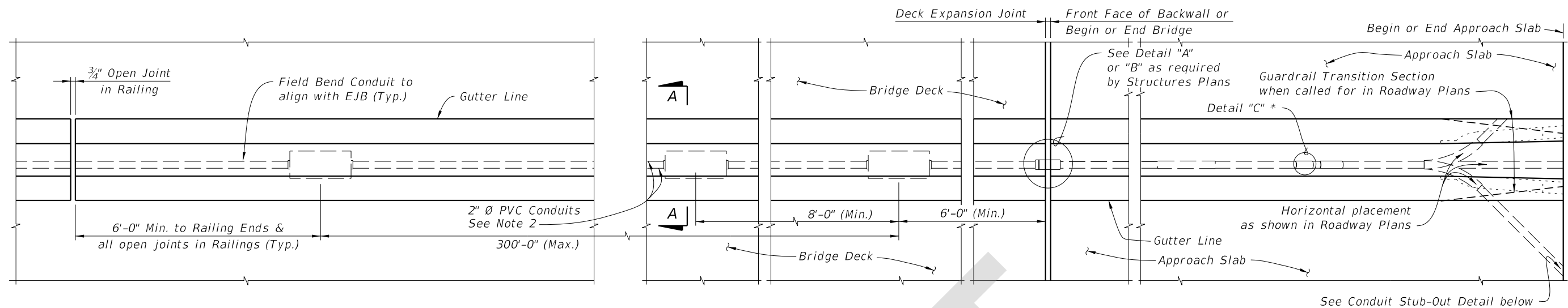
CONDUIT STUB-OUT DETAIL

- NOTES:
1. Work this sheet with Index 521-426.
 2. Adjust Conduit horizontally and vertically as necessary to align with EJB "B".
 3. When installed in traffic face of a railing, use EJB "B" with a minimum 3/8" thick galvanized steel cover.
 4. Position EJB such that, with gasket and cover plate secured and in place, cover plate is flush with the railing face. Flush is +1/8" to -1/4" measured with a horizontal straightedge.

* For non-continuing Traffic Railing only.
** See Sheet 1, Note 5

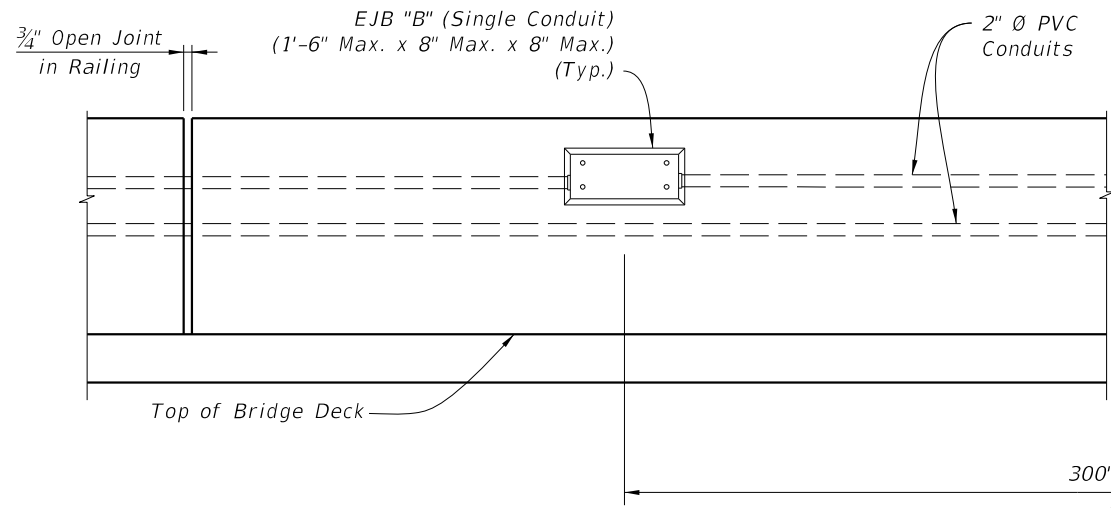
10/16/2023 7:50:48 AM

| | | | | | |
|---------------------------|--------------|------------------------------|--|------------------|-----------------|
| LAST REVISION 11/01/17 | DESCRIPTION: | FY 2024-25 STANDARD PLANS | BRIDGE AND APPROACH SLAB WITH MEDIAN TRAFFIC RAILING CONDUIT DETAILS - EMBEDDED | INDEX 630-010 | SHEET 3 of 4 |
|---------------------------|--------------|------------------------------|--|------------------|-----------------|

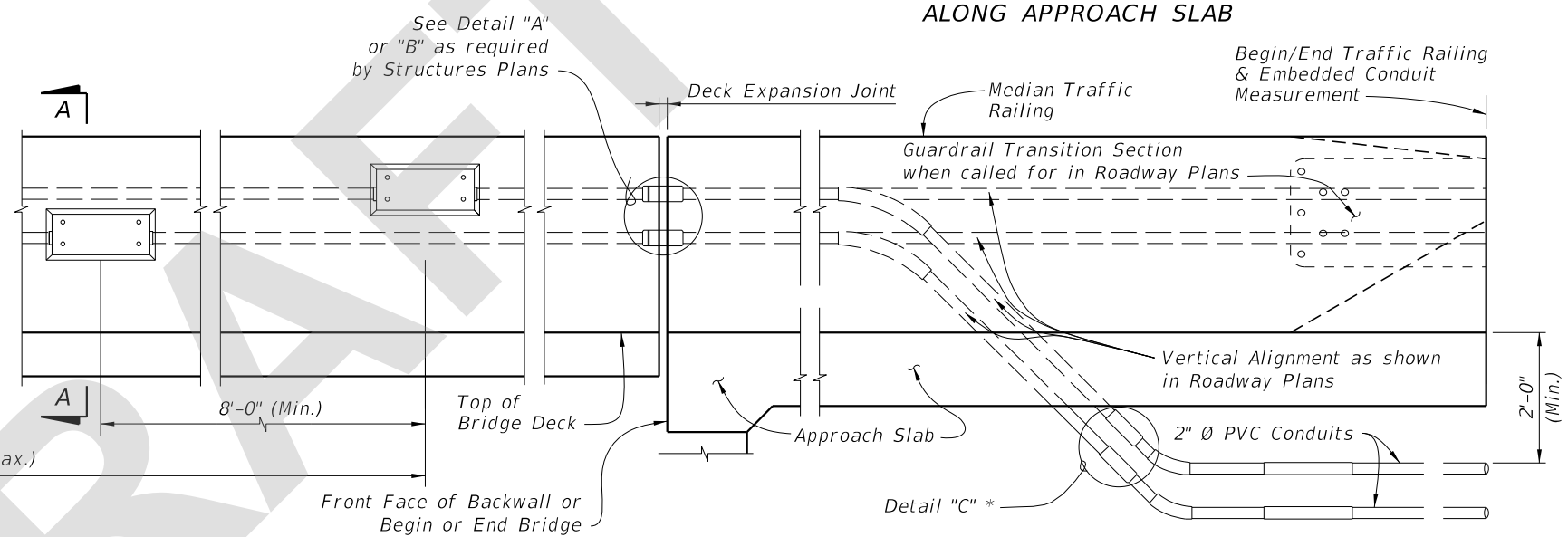


PARTIAL PLAN VIEW OF MEDIAN TRAFFIC RAILING ALONG BRIDGE

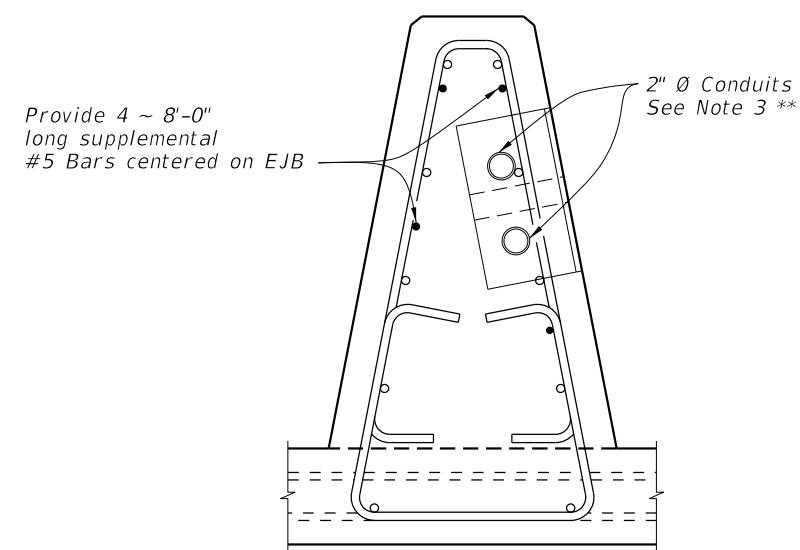
PARTIAL PLAN VIEW OF MEDIAN TRAFFIC RAILING ALONG APPROACH SLAB



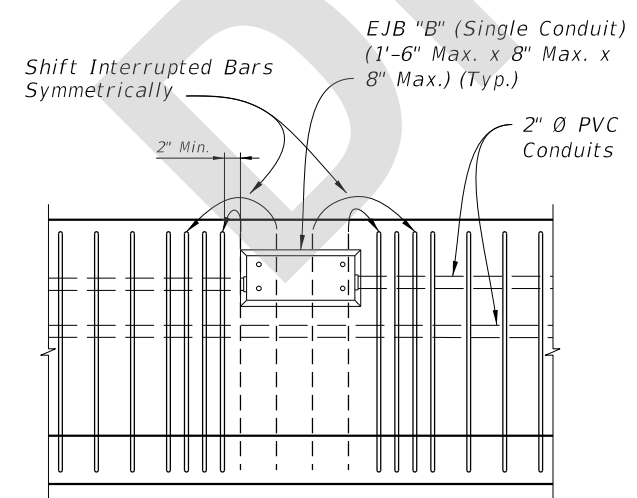
PARTIAL ELEVATION VIEW OF MEDIAN TRAFFIC RAILING ALONG BRIDGE



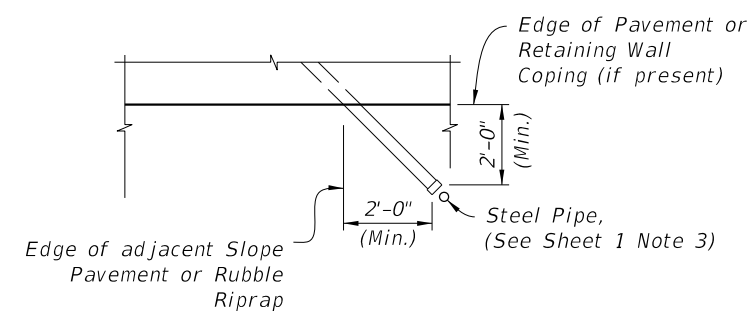
PARTIAL ELEVATION VIEW OF MEDIAN TRAFFIC RAILING ALONG APPROACH SLAB



SECTION A-A Median Traffic Railing (See Note 4)




JUNCTION BOX REBAR CONFLICT ELEVATION



CONDUIT STUB-OUT DETAIL

- NOTES:
1. Work this sheet with Index 521-426.
 2. Adjust Conduit horizontally and vertically as necessary to align with EJB "B".
 3. When installed in traffic face of a railing, use EJB "B" with a minimum 3/8" thick galvanized steel cover.
 4. Position EJB such that, with gasket and cover plate secured and in place, cover plate is flush with the railing face. Flush is +1/8" to -1/4" measured with a horizontal straightedge.
- * For non-continuing Traffic Railing only.
 ** See Sheet 1, Note 5

BRIDGE AND APPROACH SLAB WITH MEDIAN TRAFFIC RAILING

| | | | | | | |
|---------------|----------|--------------|--|----------------------------|---------|--------|
| LAST REVISION | REVISION | DESCRIPTION: |  FY 2025-26 STANDARD PLANS | CONDUIT DETAILS - EMBEDDED | INDEX | SHEET |
| 11/01/24 | | | | | 630-010 | 3 of 4 |

6/27/2024 11:13:07 AM