

# Origination Form

## Proposed Revisions to a Standard Plans Index

|                    |                            |                         |   |
|--------------------|----------------------------|-------------------------|---|
| <b>Originator:</b> | Gibbs, Shae                | <b>Index Number:</b>    | 546-020   |
| <b>Date:</b>       | 6/18/2024                  | <b>Sheet Number(s):</b> | 2   |
| <b>E-mail:</b>     | Shae.Gibbs@dot.state.fl.us | <b>Index Title:</b>     | Groud-In Rumble Strips - Arterials and Collectors |

### Summary of the changes:

Sheet 2: Deleted Outside Shoulder with Buffered Bike Lane detail

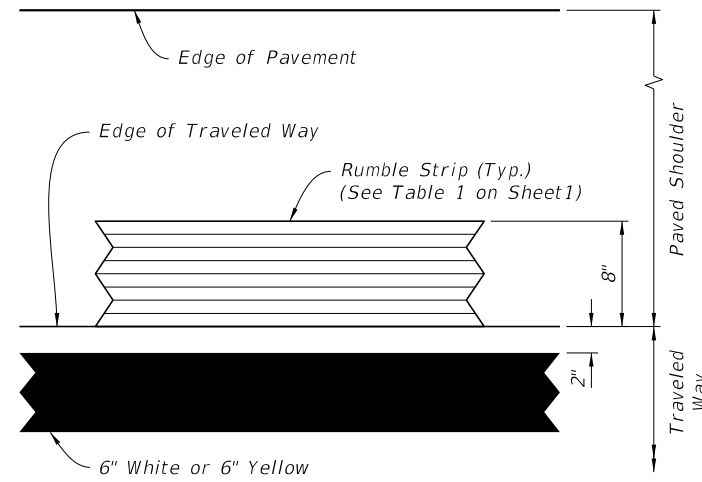
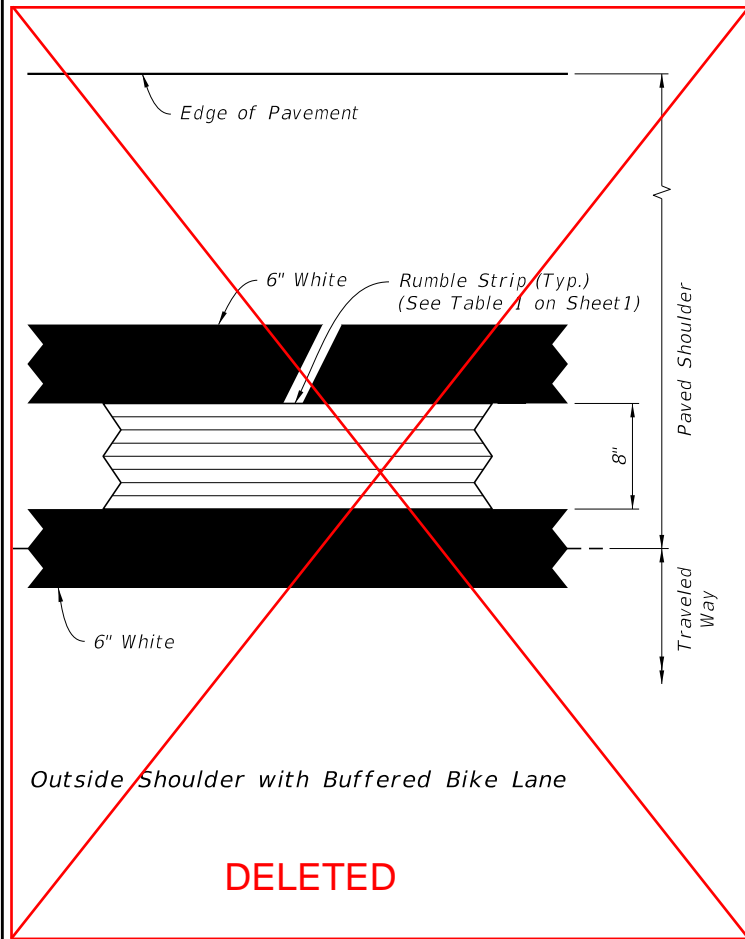
### Commentary/Background:

Paved Shoulders are no longer allowed to be marked as Bike Lanes per the new MUTCD 11th edition Section 9E.01

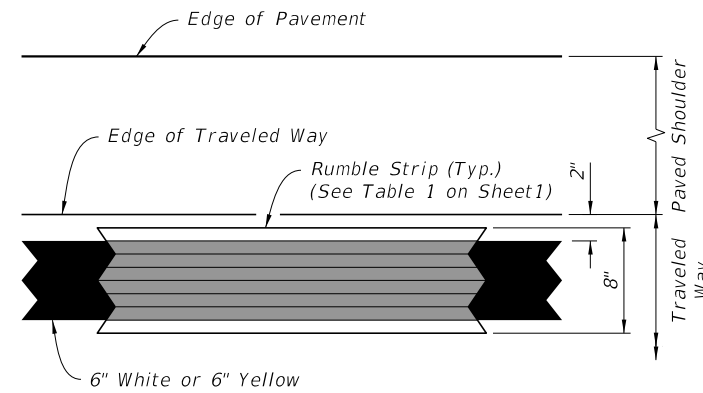
| Other Affected Documents/Offices | Person Contacted | Affected (Yes/No) |
|----------------------------------|------------------|-------------------|
| Other Standard Plans             |                  | No                |
| FDOT Design Manual               |                  | No                |
| Standard Specifications          |                  | No                |
| Basis of Estimates Manual        |                  | No                |
| Approved Product List            |                  | No                |
| Construction Office              |                  | No                |
| Maintenance Office               |                  | No                |

### Implementation

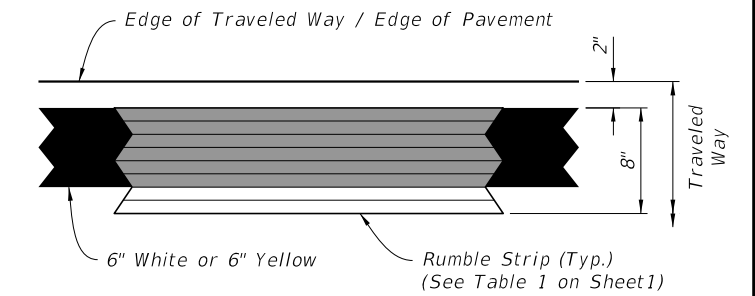
["FY-Standard Plans (Next Release)"]



Outside Paved Shoulder Width  
Greater Than or Equal to 5'-0"  
or  
Inside Paved Shoulder Width  
Greater Than or Equal to 1'-0"

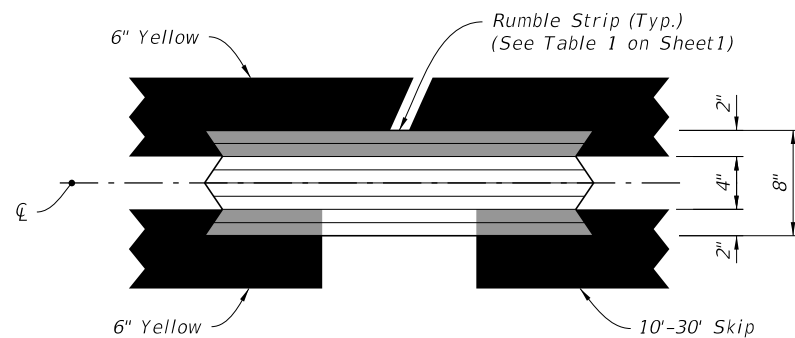


Outside Paved Shoulder Width  
Greater Than 0'-0" and Less Than 5'-0"  
or  
Inside Paved Shoulder Width  
Greater Than 0'-0" and Less Than 1'-0"

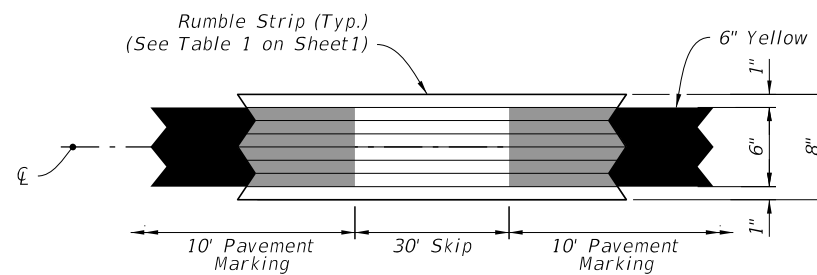


Outside or Inside Paved Shoulder Width Equal to 0'-0"

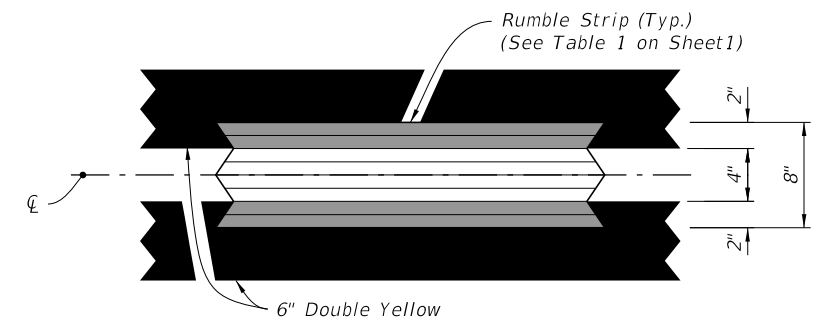
EDGE LINE AND SHOULDER RUMBLE STRIP PLACEMENT  
(Plan View)



ONE-DIRECTION PASSING CENTERLINE



TWO-DIRECTION PASSING CENTERLINE



TWO-DIRECTION NO-PASSING CENTERLINE

CENTERLINE RUMBLE STRIP PLACEMENT  
(Plan View)

10/3/2023 1:50:32 PM

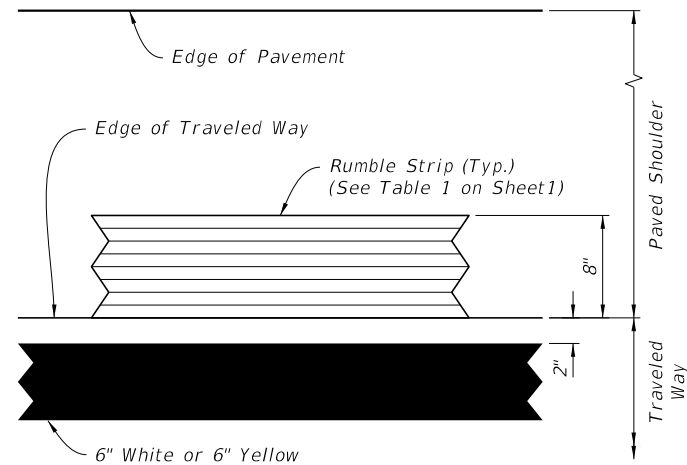
|                                 |              |
|---------------------------------|--------------|
| LAST REVISION                   | DESCRIPTION: |
| <del>11/01/22</del><br>11/01/24 |              |

**2025-26**

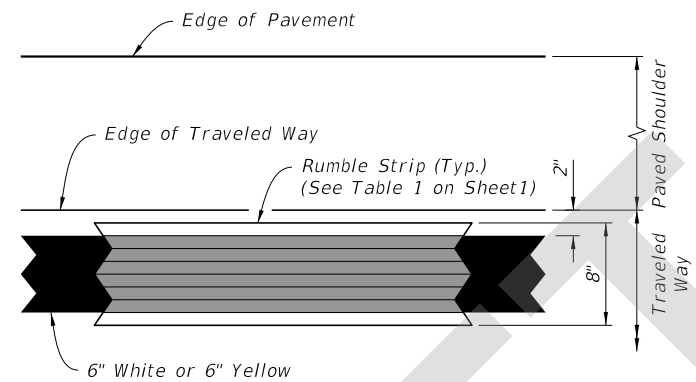
~~FY 2024-25~~  
**STANDARD PLANS**

**GROUND-IN RUMBLE STRIPS -  
ARTERIALS AND COLLECTORS**

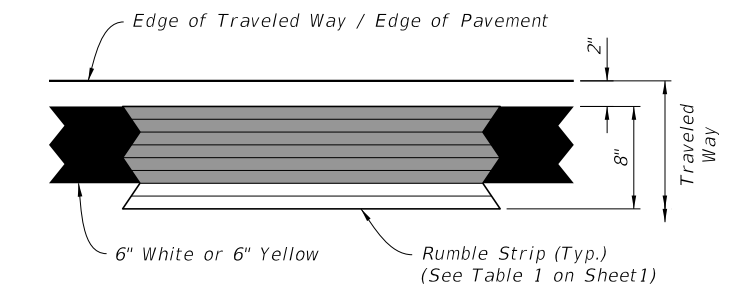
|         |        |
|---------|--------|
| INDEX   | SHEET  |
| 546-020 | 2 of 2 |



Outside Paved Shoulder Width  
Greater Than or Equal to 5'-0"  
or  
Inside Paved Shoulder Width  
Greater Than or Equal to 1'-0"

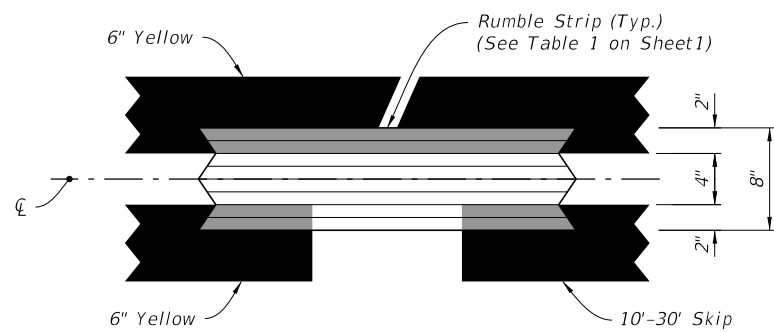


Outside Paved Shoulder Width  
Greater Than 0'-0" and Less Than 5'-0"  
or  
Inside Paved Shoulder Width  
Greater Than 0'-0" and Less Than 1'-0"

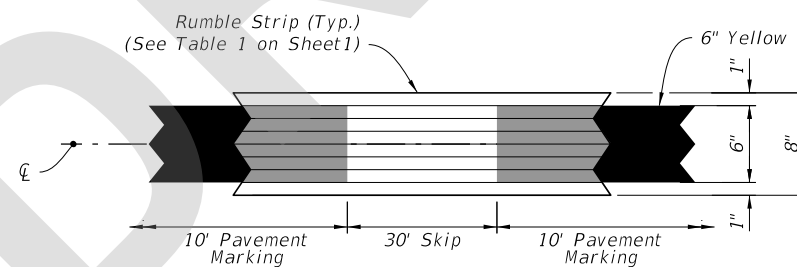


Outside or Inside Paved Shoulder Width Equal to 0'-0"

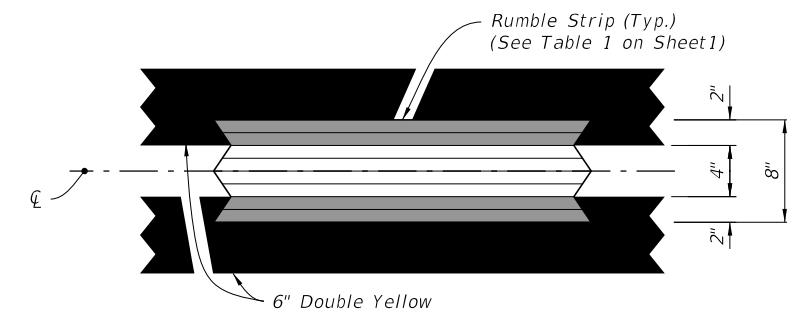
EDGE LINE AND SHOULDER RUMBLE STRIP PLACEMENT  
(Plan View)



ONE-DIRECTION PASSING CENTERLINE



TWO-DIRECTION PASSING CENTERLINE



TWO-DIRECTION NO-PASSING CENTERLINE

CENTERLINE RUMBLE STRIP PLACEMENT  
(Plan View)

10/53/48 AM  
6/18/2024

|                           |          |              |   |   |                  |                 |
|---------------------------|----------|--------------|---|---|------------------|-----------------|
| LAST REVISION<br>11/01/24 | REVISION | DESCRIPTION: | <br>FY 2025-26<br>STANDARD PLANS | GROUND-IN RUMBLE STRIPS -<br>ARTERIALS AND COLLECTORS | INDEX<br>546-020 | SHEET<br>2 of 2 |
|---------------------------|----------|--------------|---|---|------------------|-----------------|