

Origination Form

Proposed Revisions to a Standard Plans Index

Originator:	Gibbs, Shae	Index Number:	546-001
Date:	6/27/24	Sheet Number(s):	2
E-mail:	shae.gibbs@dot.state.fl.us	Index Title:	Raised Rumble Strips

Summary of the changes:

Sheet 2: Updated rumble strip height dimensions in all details to 1/4" - 1/2"

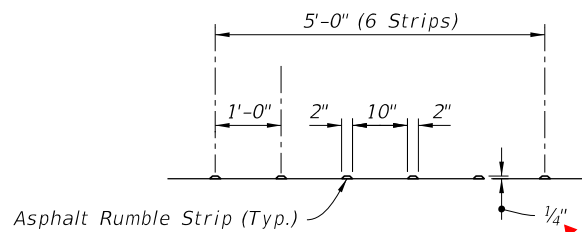
Commentary/Background:

The State Material Office wanted to add a range to the short-term rumble strip height. Previously the height was set at 1/4". Users are allowed to use permanent rumble strips instead of short-term rumble strips but those trips are 1/2" in height. Therefore the short-term will now have a range of 1/4" to 1/2" to allow for the use of either set of strips.

Other Affected Documents/Offices	Person Contacted	Affected (Yes/No)
Other Standard Plans		No
FDOT Design Manual		No
Standard Specifications		No
Basis of Estimates Manual		No
Approved Product List		No
Construction Office		No
Maintenance Office		No

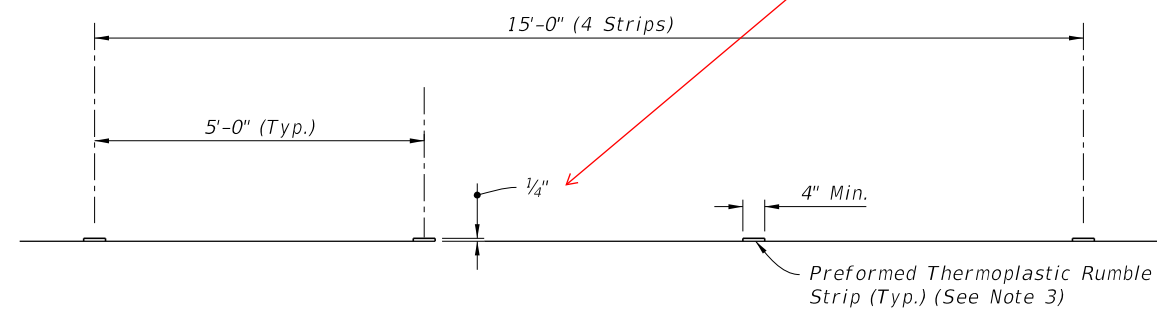
Implementation

"Standard Plans (Next Release)"

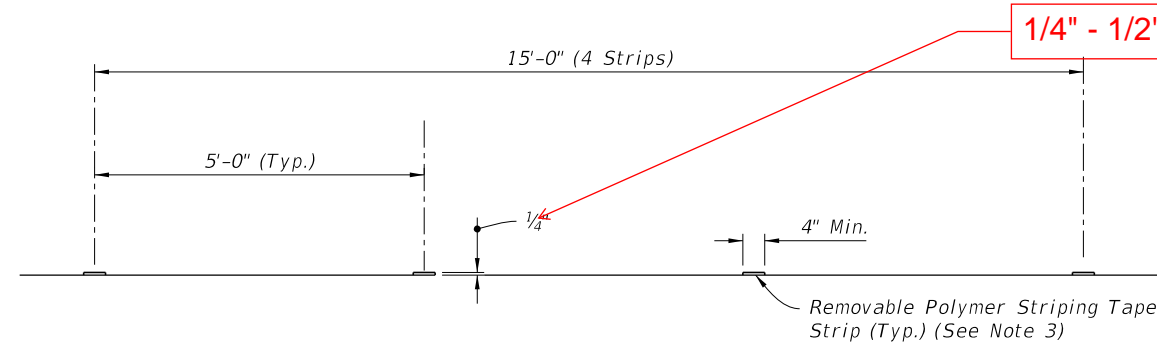


OPTION ST1 - ASPHALT SET

1/4" - 1/2"



OPTION ST2 - PREFORMED THERMOPLASTIC SET



OPTION ST3 - REMOVABLE POLYMER STRIPING TAPE SET

OPTIONAL MATERIALS DETAILS


NOTES:

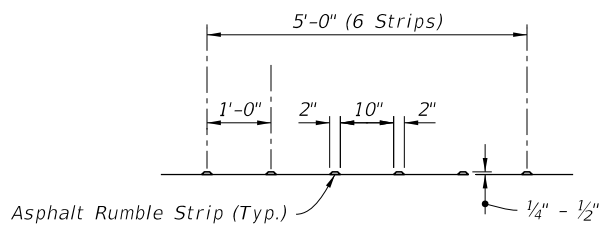
1. Construct short-term raised rumble strips where noted in the Plans and in accordance with Specification 546.
2. See Sheet 1 for placement and additional details.
3. Use color white for Preformed Thermoplastic and Removable Polymer Striping Tape Sets.

10/3/2023 1:49:41 PM

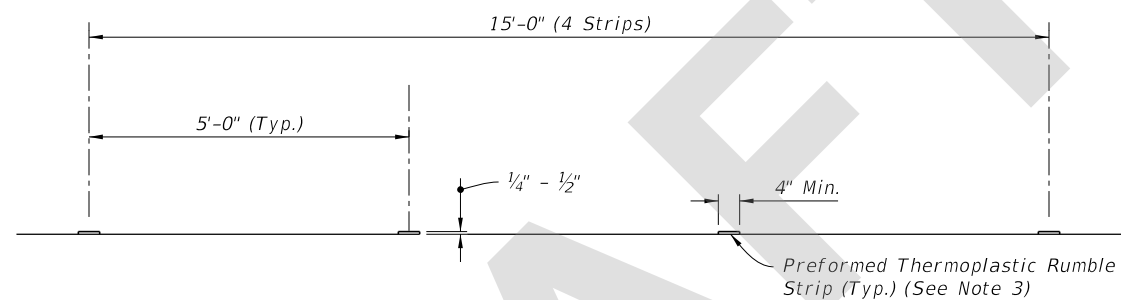
2025-26

SHORT-TERM RAISED RUMBLE STRIPS

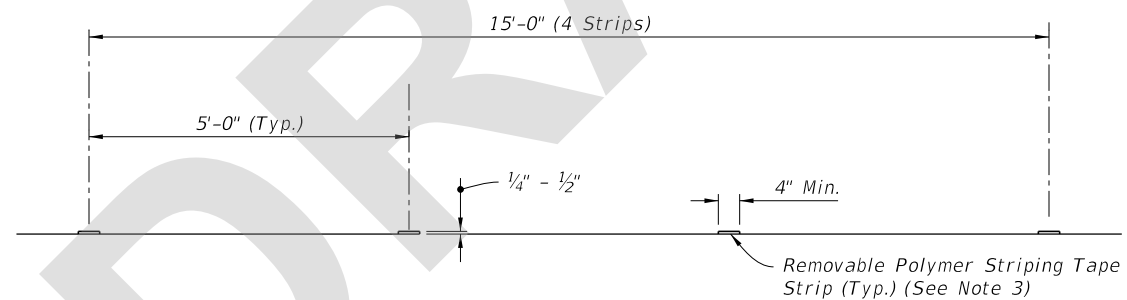
LAST REVISION	DESCRIPTION:		<p>FY 2024-25</p> <p>STANDARD PLANS</p>	<p>RAISED RUMBLE STRIPS</p>	<p>INDEX</p> <p>546-001</p>	<p>SHEET</p> <p>2 of 2</p>
04/23/18 11/01/24						



OPTION ST1 - ASPHALT SET



OPTION ST2 - PREFORMED THERMOPLASTIC SET



OPTION ST3 - REMOVABLE POLYMER STRIPING TAPE SET


OPTIONAL MATERIALS DETAILS

NOTES:

1. Construct short-term raised rumble strips where noted in the Plans and in accordance with Specification 546.
2. See Sheet 1 for placement and additional details.
3. Use color white for Preformed Thermoplastic and Removable Polymer Striping Tape Sets.

SHORT-TERM RAISED RUMBLE STRIPS

7/2/2024 7:34:28 AM

LAST REVISION 11/01/24	REVISION	DESCRIPTION:	 FY 2025-26 STANDARD PLANS	RAISED RUMBLE STRIPS	INDEX 546-001	SHEET 2 of 2
---------------------------	----------	--------------	---	----------------------	------------------	-----------------