

# Origination Form

## Proposed Revisions to a Standard Plans Index

<b>Originator:</b>	Gibbs, Shae	<b>Index Number:</b>	546-001
<b>Date:</b>	6/27/24	<b>Sheet Number(s):</b>	2
<b>E-mail:</b>	shae.gibbs@dot.state.fl.us	<b>Index Title:</b>	Raised Rumble Strips

### Summary of the changes:

Sheet 2: Updated rumble strip height dimensions in all details to 1/4" - 1/2"

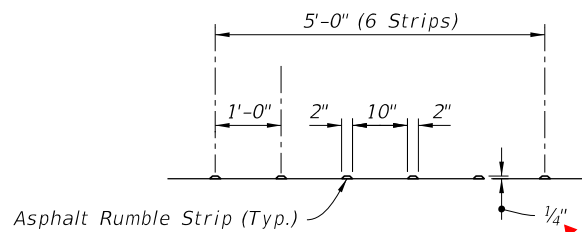
### Commentary/Background:

The State Material Office wanted to add a range to the short-term rumble strip height. Previously the height was set at 1/4". Users are allowed to use permanent rumble strips instead of short-term rumble strips but those trips are 1/2" in height. Therefore the short-term will now have a range of 1/4" to 1/2" to allow for the use of either set of strips.

Other Affected Documents/Offices	Person Contacted	Affected (Yes/No)
Other Standard Plans		No
FDOT Design Manual		No
Standard Specifications		No
Basis of Estimates Manual		No
Approved Product List		No
Construction Office		No
Maintenance Office		No

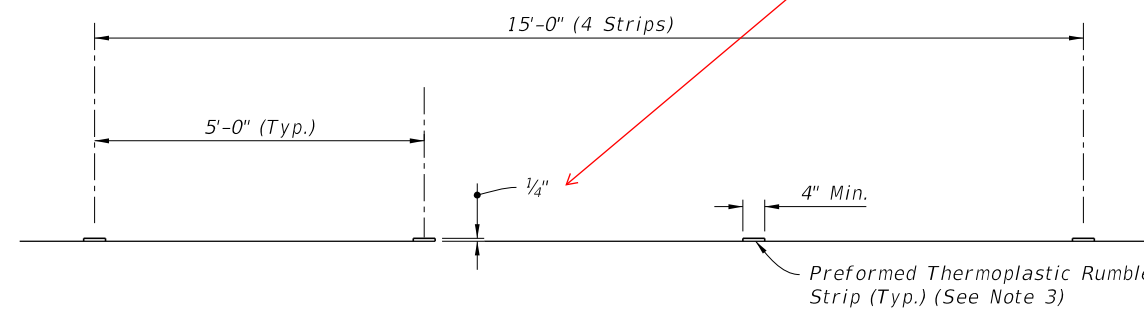
### Implementation

"Standard Plans (Next Release)"

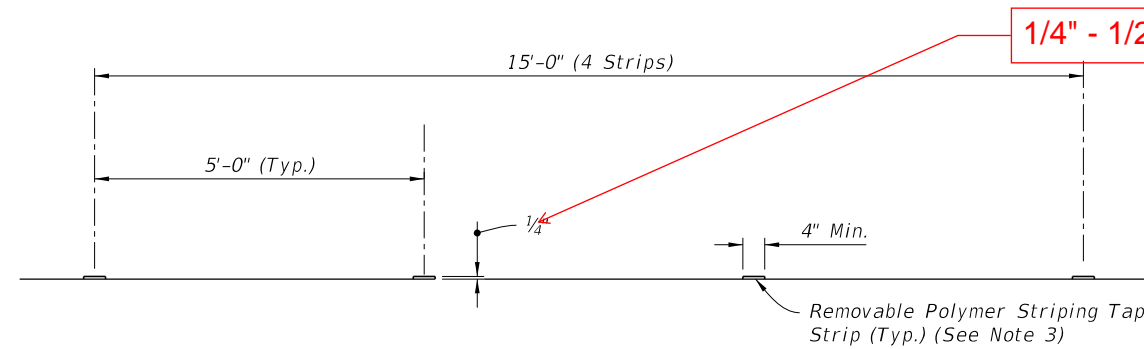


OPTION ST1 - ASPHALT SET

1/4" - 1/2"



OPTION ST2 - PREFORMED THERMOPLASTIC SET



OPTION ST3 - REMOVABLE POLYMER STRIPING TAPE SET

1/4" - 1/2"

OPTIONAL MATERIALS DETAILS


NOTES:

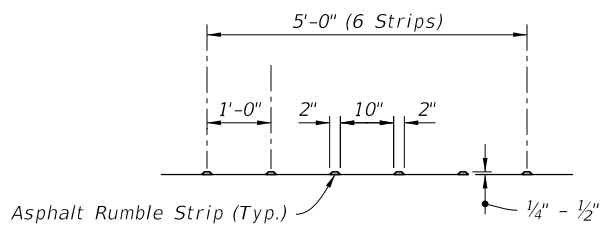
1. Construct short-term raised rumble strips where noted in the Plans and in accordance with Specification 546.
2. See Sheet 1 for placement and additional details.
3. Use color white for Preformed Thermoplastic and Removable Polymer Striping Tape Sets.

10/3/2023 1:49:41 PM

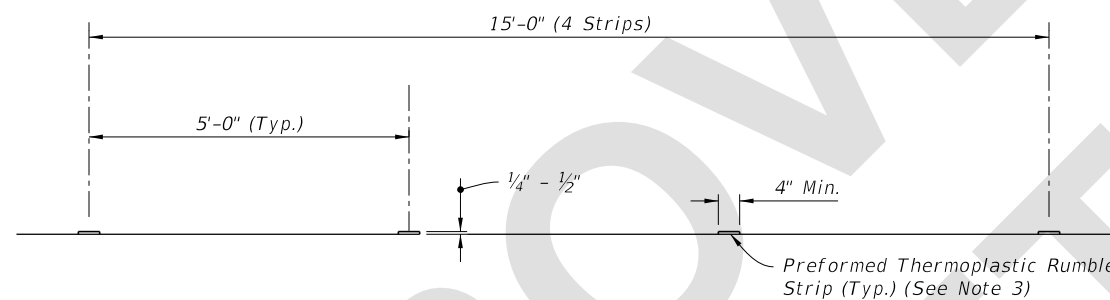
2025-26

SHORT-TERM RAISED RUMBLE STRIPS

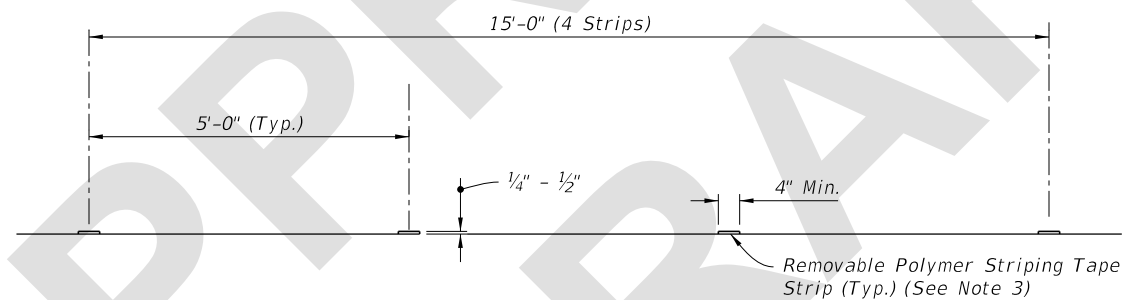
LAST REVISION 04/23/18 11/01/24	DESCRIPTION:	 FY <del>2024-25</del> STANDARD PLANS	RAISED RUMBLE STRIPS	INDEX 546-001	SHEET 2 of 2
---------------------------------------	--------------	---	----------------------	------------------	-----------------



OPTION ST1 - ASPHALT SET



OPTION ST2 - PREFORMED THERMOPLASTIC SET



OPTION ST3 - REMOVABLE POLYMER STRIPING TAPE SET


OPTIONAL MATERIALS DETAILS

NOTES:

1. Construct short-term raised rumble strips where noted in the Plans and in accordance with Specification 546.
2. See Sheet 1 for placement and additional details.
3. Use color white for Preformed Thermoplastic and Removable Polymer Striping Tape Sets.

SHORT-TERM RAISED RUMBLE STRIPS

7/2/2024 7:34:28 AM

LAST REVISION 11/01/24	REVISION	DESCRIPTION:	 FY 2025-26 STANDARD PLANS	RAISED RUMBLE STRIPS	INDEX 546-001	SHEET 2 of 2
---------------------------	----------	--------------	---	----------------------	------------------	-----------------