

# Origination Form

## Proposed Revisions to a Standard Plans Index

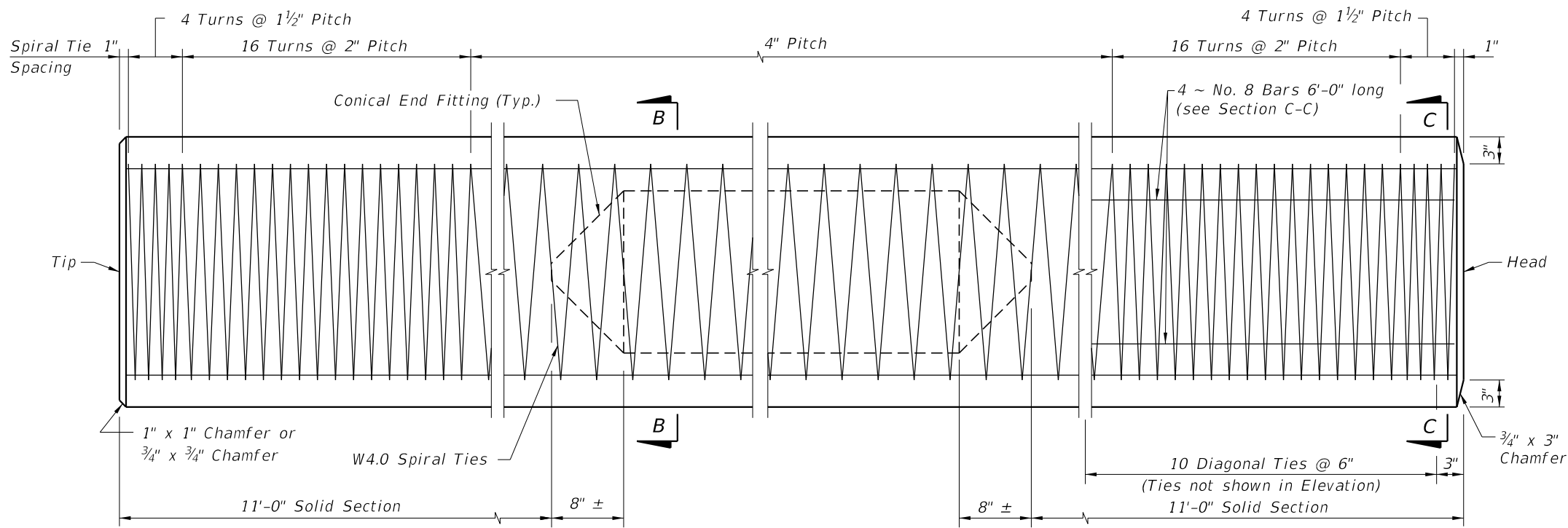
<b>Originator:</b>	Turley, Joshua	<b>Index Number:</b>	455-130
<b>Date:</b>	8/21/2024	<b>Sheet Number(s):</b>	2
<b>E-mail:</b>	Joshua.Turley@dot.state.fl.us	<b>Index Title:</b>	30" SQUARE CFRP & SS PRESTRESSED CONCRETE PILE

<b>Summary of the changes:</b>
Sheet 2: Adjusted Strand Pattern diameter decimal places

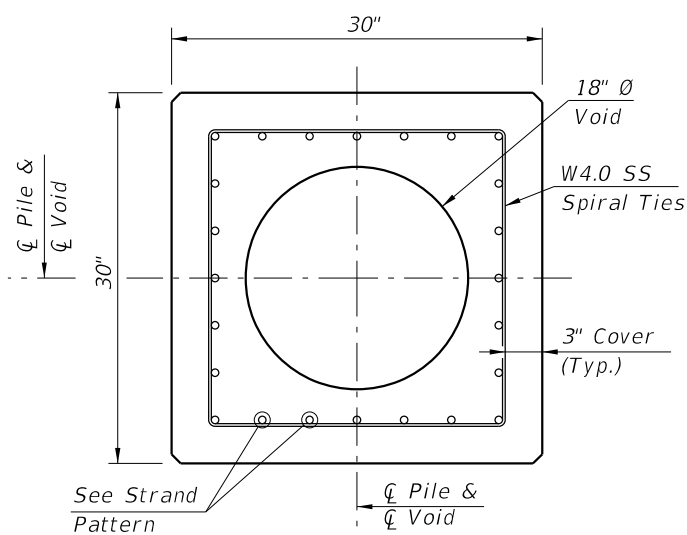
<b>Commentary/Background:</b>
This is a more accurate representation of the nominal diameter driven by the fact that the strands are fabricated in millimeters not inches.

Other Affected Documents/Offices	Person Contacted	Affected (Yes/No)
Other Standard Plans		No
FDOT Design Manual		No
Standard Specifications		No
Basis of Estimates Manual		No
Approved Product List		No
Construction Office		No
Maintenance Office		No

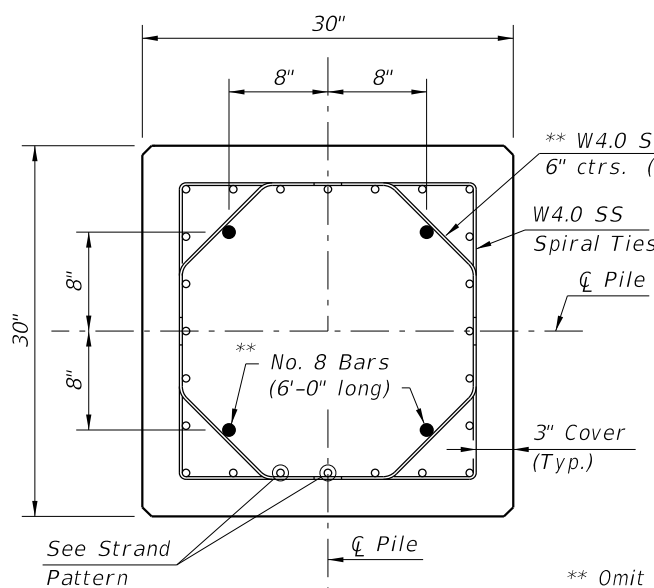
<b>Implementation</b>
["FY-Standard Plans (Next Release)"]



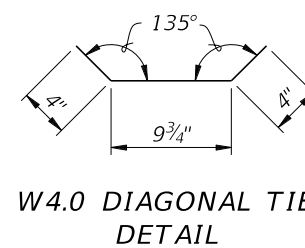
ELEVATION



SECTION B-B  
(See Pile Splice Reinforcement Details)



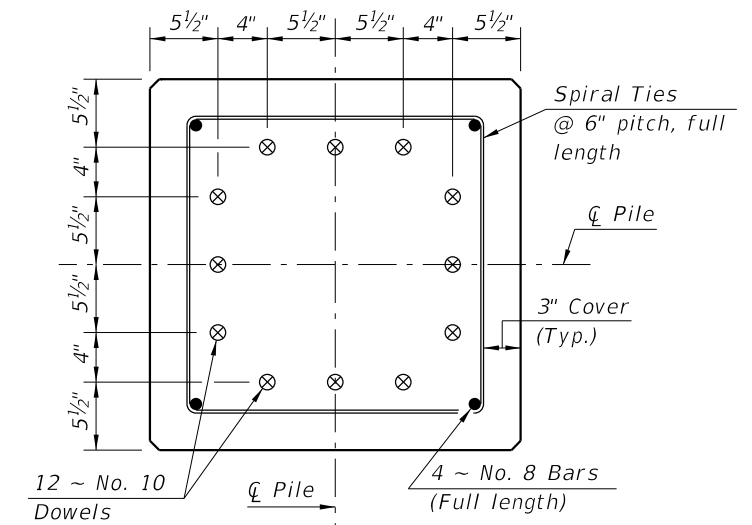
SECTION C-C  
(See Pile Splice Reinforcement Details)



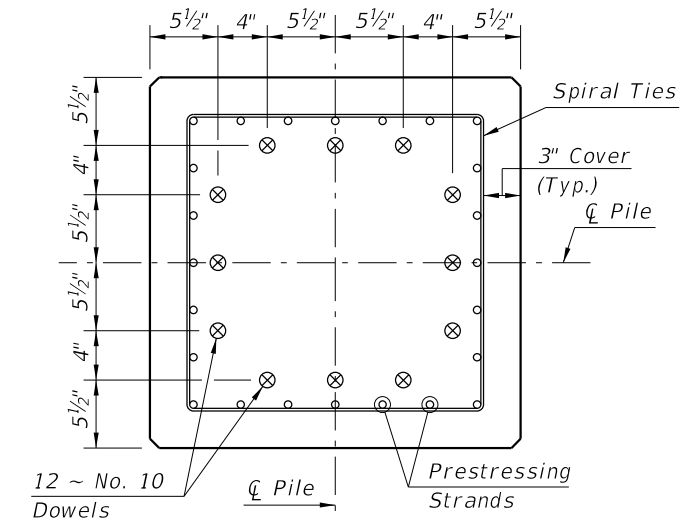
\*\* Omit 4 ~ No. 8 Bars and Diagonal Ties in pre-planned mechanical splice.

NOTES:

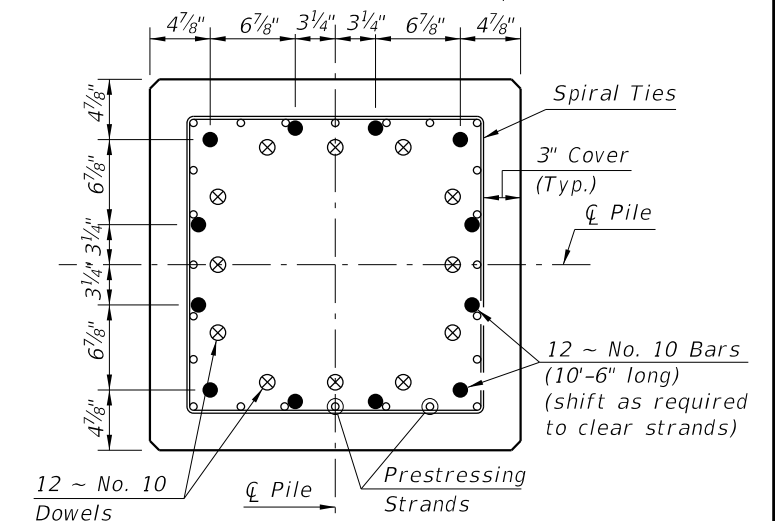
- Any of the given Strand Patterns may be utilized. The strands shall be located as follows: Place one strand at each corner and place the remaining strands equally spaced between the corner strands. The total strand pattern shall be concentric with the nominal concrete section of the pile.
- CONTRACTOR OPTION: The 30" pile may be cast SOLID by omitting the 18" Ø void. In this event, the Contractor shall submit calculations for approval and a proposed strand configuration that provide net prestressing after losses equal to 1000 psi. Alternate configurations for the Diagonal Ties, to maintain the position of the 4 ~ #8 Bars, may be approved by the Engineer.
- Work this Index with Index 455-101 - Typical Details and Notes for Square CFRP & SS Prestressed Concrete Piles and Index 455-102 - Square CFRP & SS Prestressed Concrete Pile Splices.



SECTION D-D  
(See Non-Drivable Unforeseen Reinforced Precast Pile Build-Up Detail)



SECTION E-E  
(See Drivable Prestressed Precast Pile Splice Detail)



SECTION F-F  
(See Drivable Preplanned Prestressed Precast Pile Splice Detail)

SS PILE SPLICE DETAILS

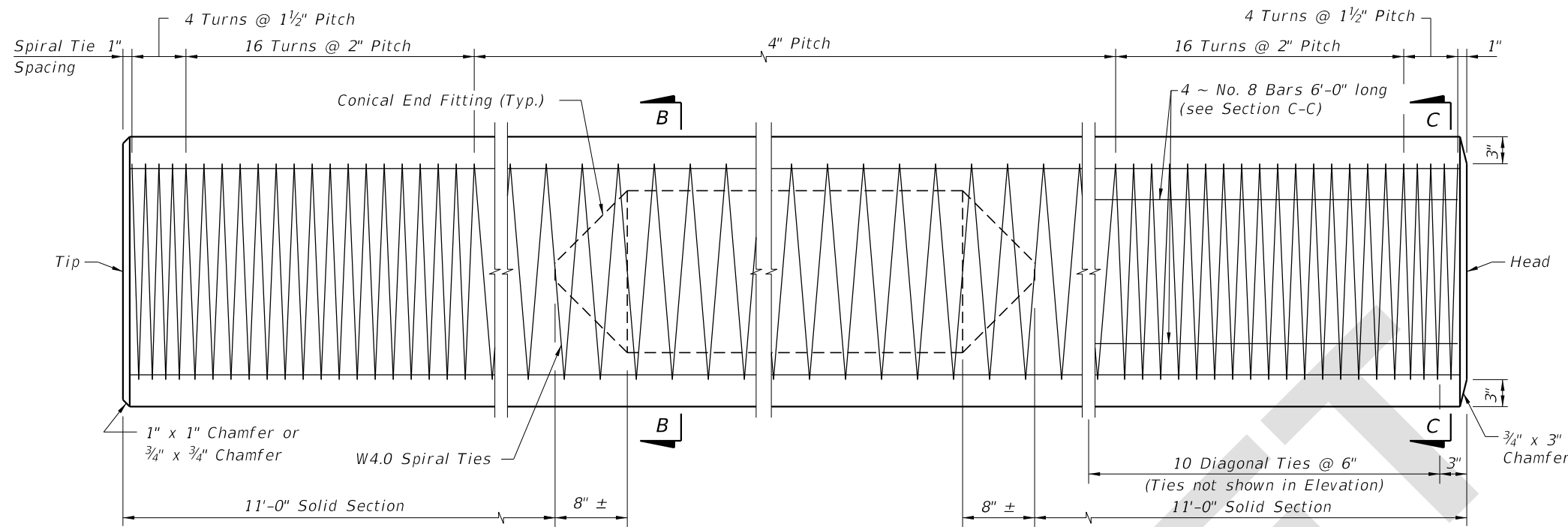
SS PRESTRESSED PILE DETAILS

**CHANGED TO: 0.520"**  
**CHANGED TO: 0.620"**  
 11/01/24

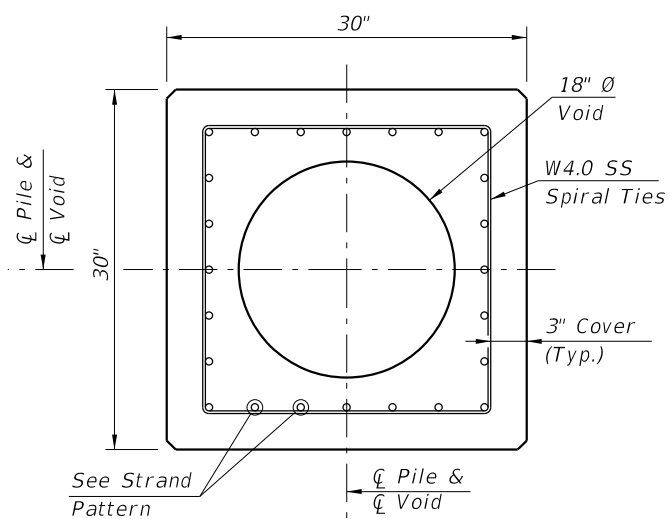
10/15/2023 11:56:20 AM

LAST REVISION	DESCRIPTION:
11/01/20	

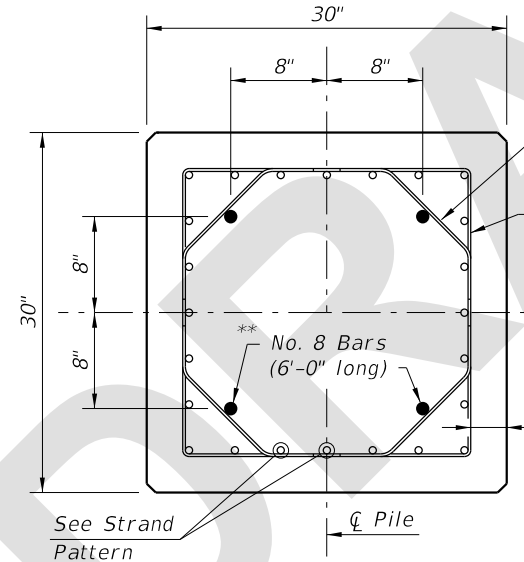




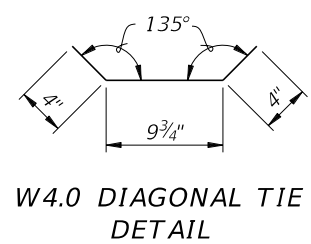
ELEVATION



SECTION B-B  
(See Pile Splice Reinforcement Details)



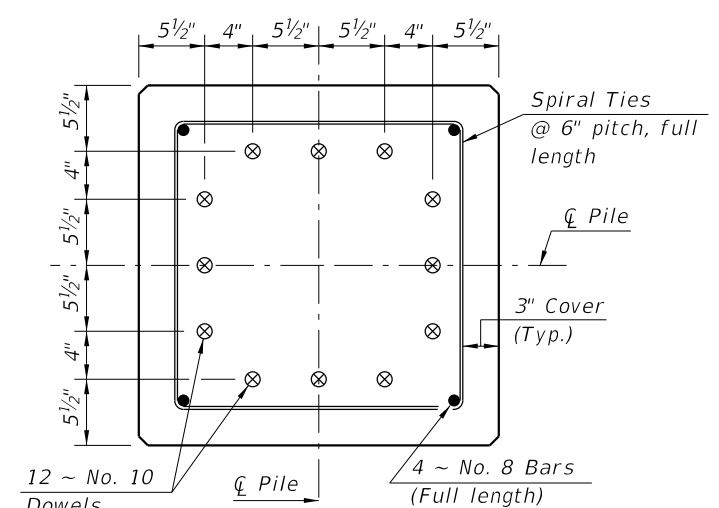
SECTION C-C  
(See Pile Splice Reinforcement Details)



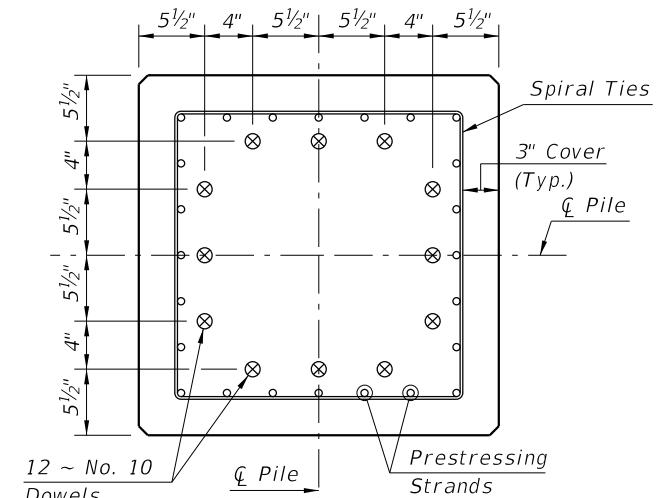
W4.0 DIAGONAL TIE DETAIL

\*\* Omit 4 ~ No. 8 Bars and Diagonal Ties in pre-planned mechanical splice.

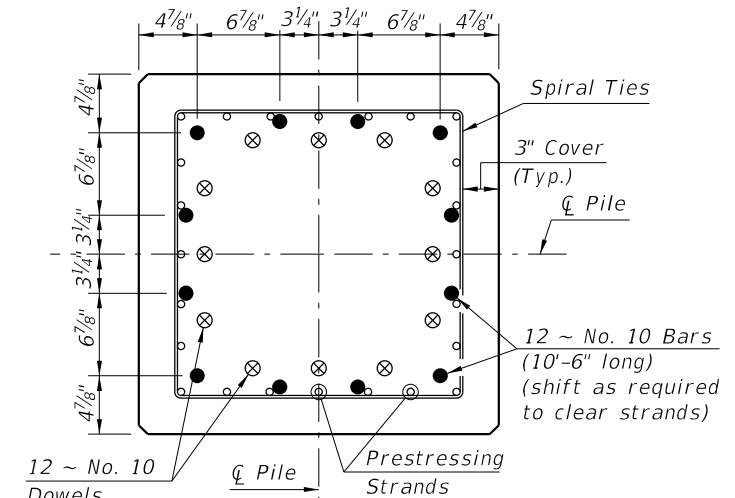
- NOTES:
- Any of the given Strand Patterns may be utilized. The strands shall be located as follows: Place one strand at each corner and place the remaining strands equally spaced between the corner strands. The total strand pattern shall be concentric with the nominal concrete section of the pile.
  - CONTRACTOR OPTION: The 30" pile may be cast SOLID by omitting the 18" Ø void. In this event, the Contractor shall submit calculations for approval and a proposed strand configuration that provide net prestressing after losses equal to 1000 psi. Alternate configurations for the Diagonal Ties, to maintain the position of the 4 ~ #8 Bars, may be approved by the Engineer.
  - Work this Index with Index 455-101 - Typical Details and Notes for Square CFRP & SS Prestressed Concrete Piles and Index 455-102 - Square CFRP & SS Prestressed Concrete Pile Splices.



SECTION D-D  
(See Non-Drivable Unforescen Reinforced Precast Pile Build-Up Detail)



SECTION E-E  
(See Drivable Prestressed Precast Pile Splice Detail)



SECTION F-F  
(See Drivable Preplanned Prestressed Precast Pile Splice Detail)

SS PILE SPLICE DETAILS

STRAND PATTERN

- 32 ~ 0.52" Ø, HSSS at 26 kips
- 24 ~ 0.62" Ø, HSSS at 35 kips

SS PRESTRESSED PILE DETAILS

LAST REVISION 11/01/24	DESCRIPTION:	FDOT FY 2025-26 STANDARD PLANS	30" SQUARE CFRP & SS PRESTRESSED CONCRETE PILE	INDEX 455-130	SHEET 2 of 2
---------------------------	--------------	--------------------------------------	---	------------------	-----------------

8/21/2024 2:09:35 PM