

# Origination Form

## Proposed Revisions to a Standard Plans Index

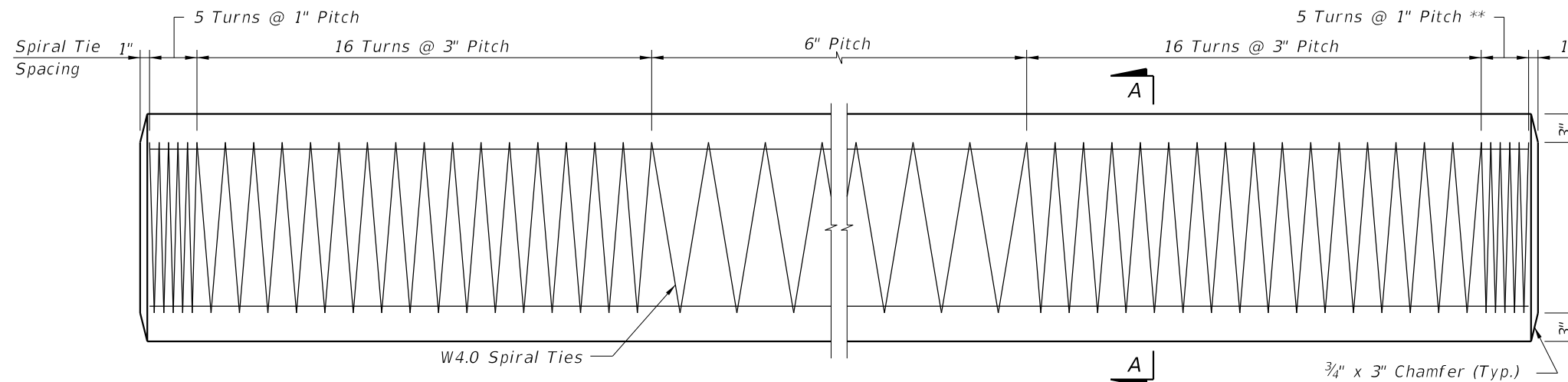
<b>Originator:</b>	Turley, Joshua	<b>Index Number:</b>	455-124
<b>Date:</b>	8/21/2024	<b>Sheet Number(s):</b>	2
<b>E-mail:</b>	Joshua.Turley@dot.state.fl.us	<b>Index Title:</b>	24" SQUARE CFRP & SS PRESTRESSED CONCRETE PILE

<b>Summary of the changes:</b>
Sheet 2: Adjusted Strand Pattern diameter decimal places

<b>Commentary/Background:</b>
This is a more accurate representation of the nominal diameter driven by the fact that the strands are fabricated in millimeters not inches.

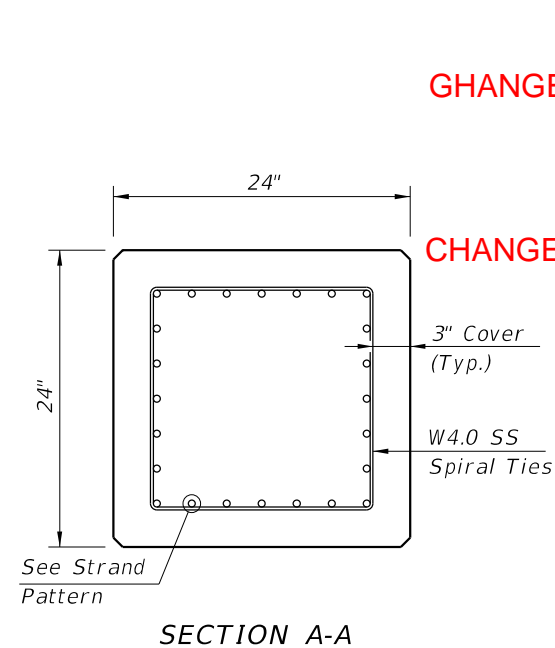
Other Affected Documents/Offices	Person Contacted	Affected (Yes/No)
Other Standard Plans		No
FDOT Design Manual		No
Standard Specifications		No
Basis of Estimates Manual		No
Approved Product List		No
Construction Office		No
Maintenance Office		No

<b>Implementation</b>
["FY-Standard Plans (Next Release)"]



ELEVATION

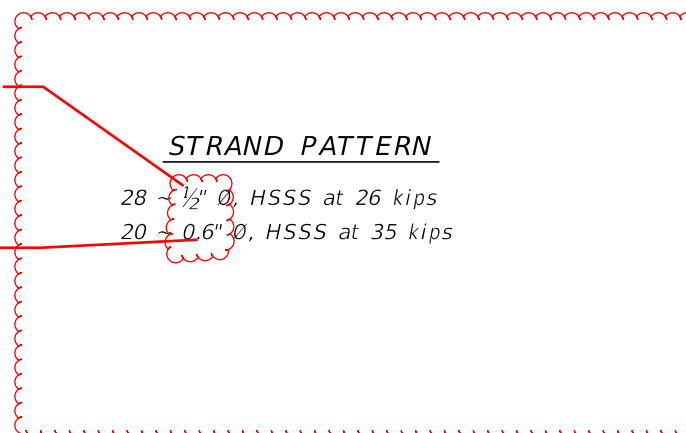
\*\* See Note 4 on Index 455-102



SECTION A-A

CHANGED TO: 0.520"

CHANGED TO: 0.620"

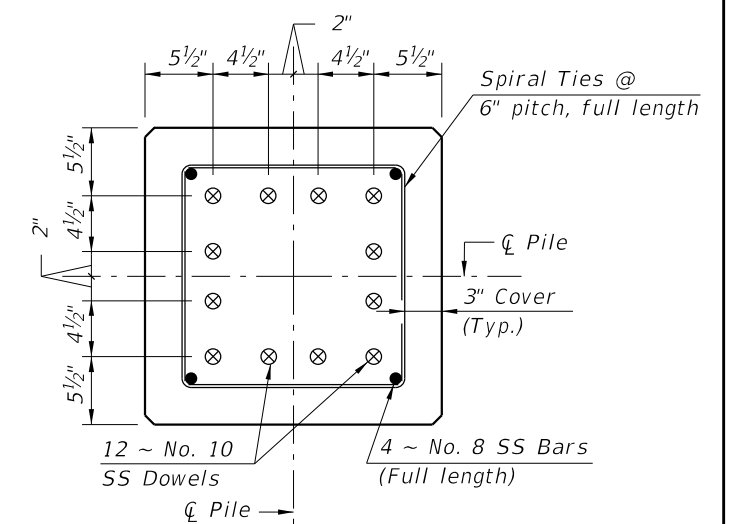


STRAND PATTERN

28 - 1/2" Ø, HSSS at 26 kips  
20 - 0.6" Ø, HSSS at 35 kips

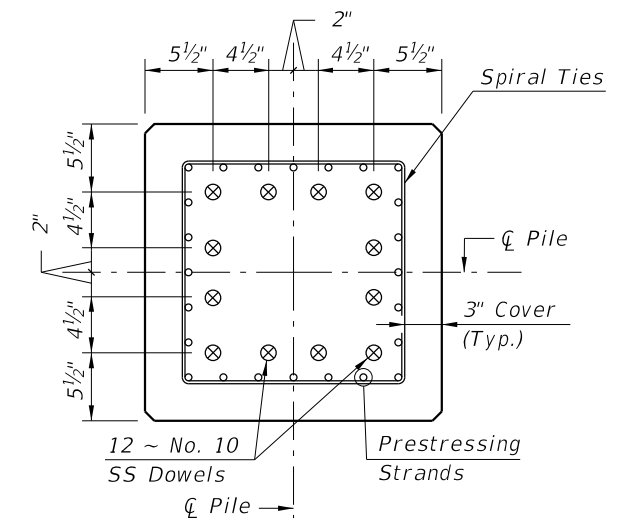
NOTES:

1. Work this Index with Index 455-101 - Typical Details and Notes for Square CFRP & SS Prestressed Concrete Piles and Index 455-102 - Square CFRP & SS Prestressed Concrete Pile Splices.
2. Any of the given Strand Patterns may be utilized.  
The strands shall be located as follows:  
Place one strand at each corner and place the remaining strands equally spaced between the corner strands.  
The total strand pattern shall be concentric with the nominal concrete section of the pile.



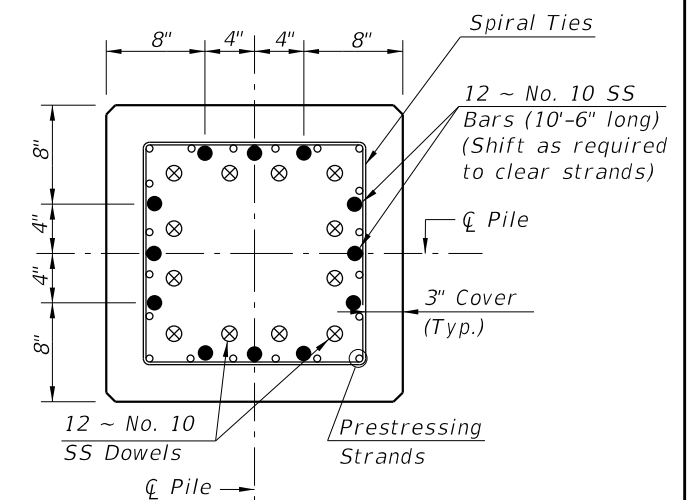
SECTION D-D

(See Non-Drivable Unforeseen Reinforced Precast Pile Build-Up Detail)



SECTION E-E

(See Drivable Prestressed Precast Pile Splice Detail)



SECTION F-F

(See Drivable Preplanned Pile Splice Detail)

SS PILE SPLICE REINFORCEMENT DETAILS

SS PRESTRESSED PILE DETAILS

10/15/2023 11:57:27 AM

LAST REVISION	DESCRIPTION:
11/01/20	
11/01/24	

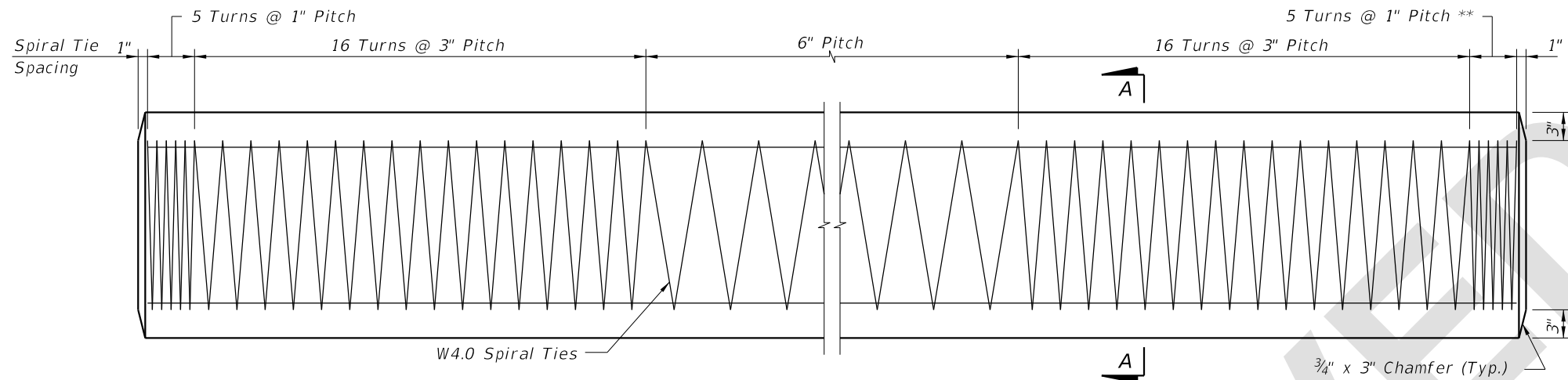


FY 2024-25  
STANDARD PLANS

24" SQUARE CFRP & SS PRESTRESSED  
CONCRETE PILE

INDEX  
455-124

SHEET  
2 of 2

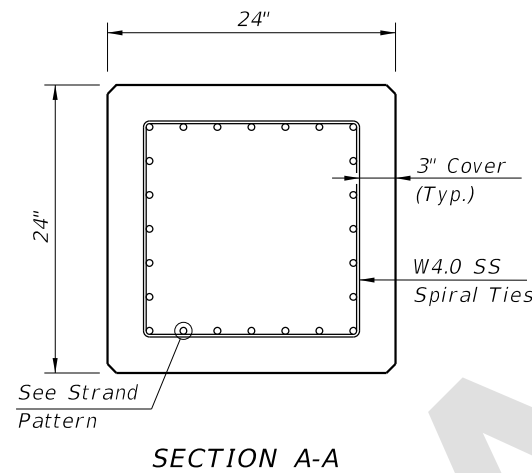


ELEVATION

\*\* See Note 4 on Index 455-102

**STRAND PATTERN**

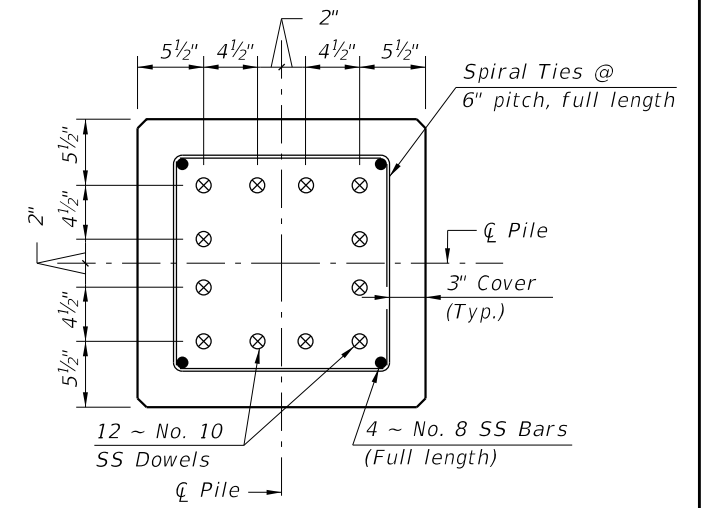
28 ~ 0.52" Ø, HSSS at 26 kips  
 20 ~ 0.62" Ø, HSSS at 35 kips



SECTION A-A

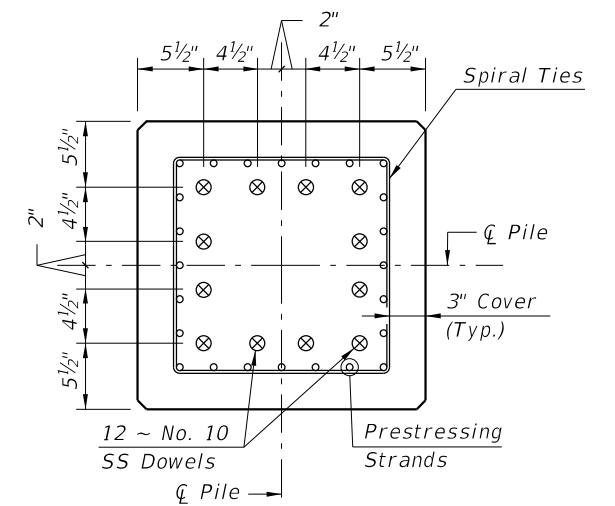
**NOTES:**

1. Work this Index with Index 455-101 - Typical Details and Notes for Square CFRP & SS Prestressed Concrete Piles and Index 455-102 - Square CFRP & SS Prestressed Concrete Pile Splices.
2. Any of the given Strand Patterns may be utilized.  
 The strands shall be located as follows:  
 Place one strand at each corner and place the remaining strands equally spaced between the corner strands.  
 The total strand pattern shall be concentric with the nominal concrete section of the pile.



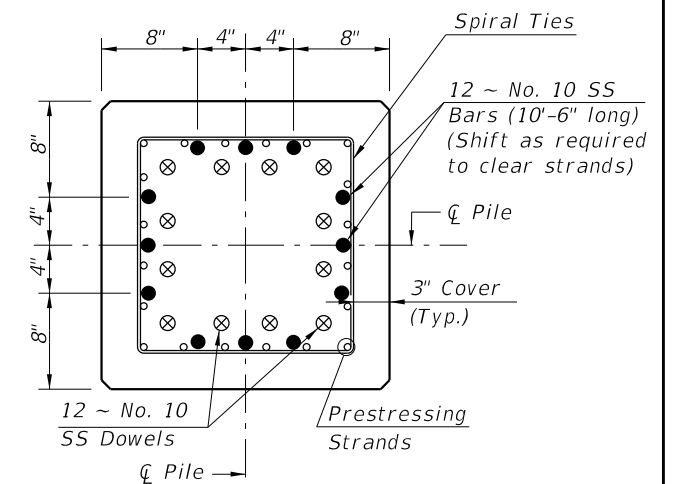
SECTION D-D

(See Non-Drivable Unforeseen Reinforced Precast Pile Build-Up Detail)



SECTION E-E

(See Drivable Prestressed Precast Pile Splice Detail)




SECTION F-F

(See Drivable Preplanned Pile Splice Detail)

**SS PILE SPLICE REINFORCEMENT DETAILS**

**SS PRESTRESSED PILE DETAILS**

8/21/2024 2:10:29 PM

LAST REVISION	11/01/24	DESCRIPTION:		<b>FY 2025-26 STANDARD PLANS</b>	<b>24" SQUARE CFRP &amp; SS PRESTRESSED CONCRETE PILE</b>	INDEX	SHEET
						455-124	2 of 2