

Origination Form

Proposed Revisions to a Standard Plans Index

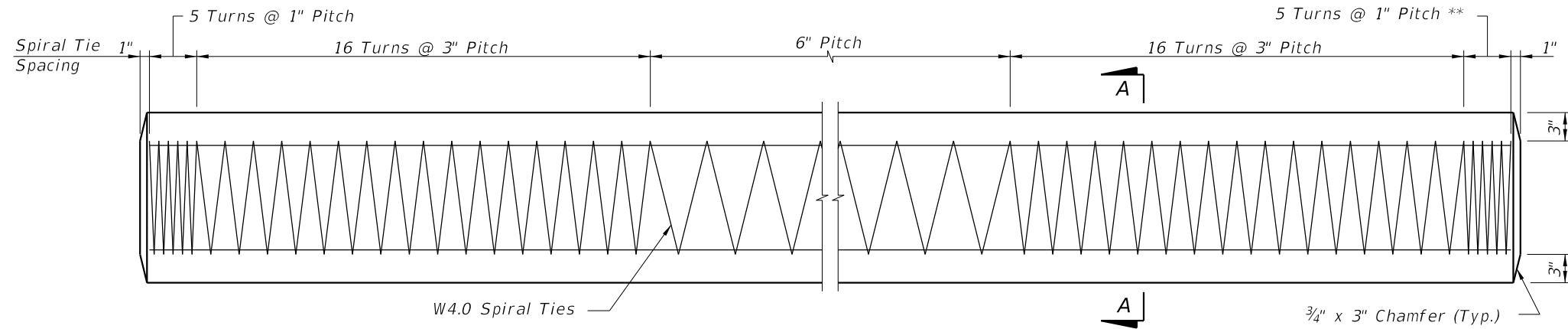
Originator:	Turley, Joshua	Index Number:	455-118
Date:	8/21/2024	Sheet Number(s):	2
E-mail:	Joshua.Turley@dot.state.fl.us	Index Title:	18" SQUARE CFRP & SS PRESTRESSED CONCRETE PILE

Summary of the changes:
Sheet 2: Adjusted Strand Pattern diameter decimal places

Commentary/Background:
This is a more accurate representation of the nominal diameter driven by the fact that the strands are fabricated in millimeters not inches.

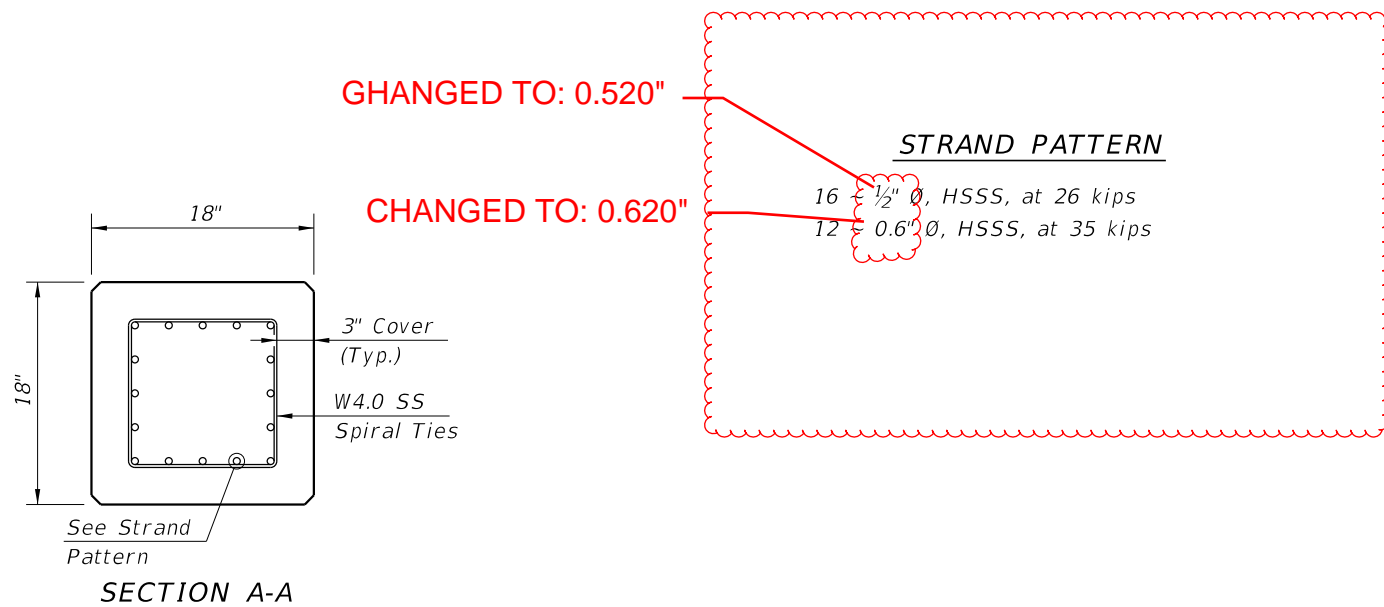
Other Affected Documents/Offices	Person Contacted	Affected (Yes/No)
Other Standard Plans		No
FDOT Design Manual		No
Standard Specifications		No
Basis of Estimates Manual		No
Approved Product List		No
Construction Office		No
Maintenance Office		No

Implementation
["FY-Standard Plans (Next Release)"]



ELEVATION

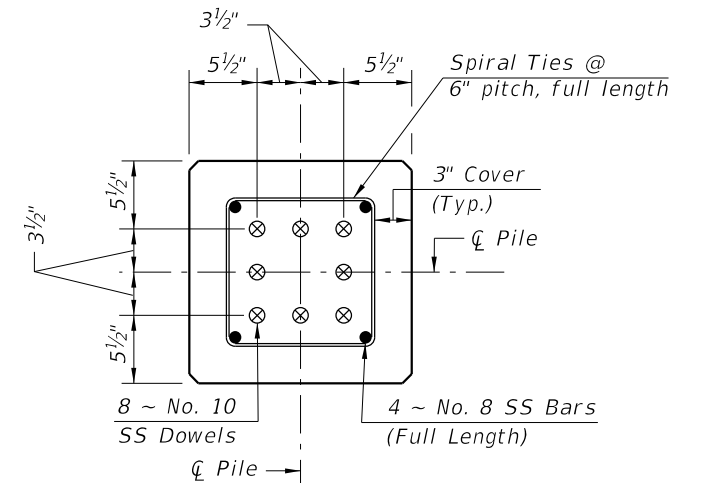
** See Note 4 on Index 455-102



SECTION A-A

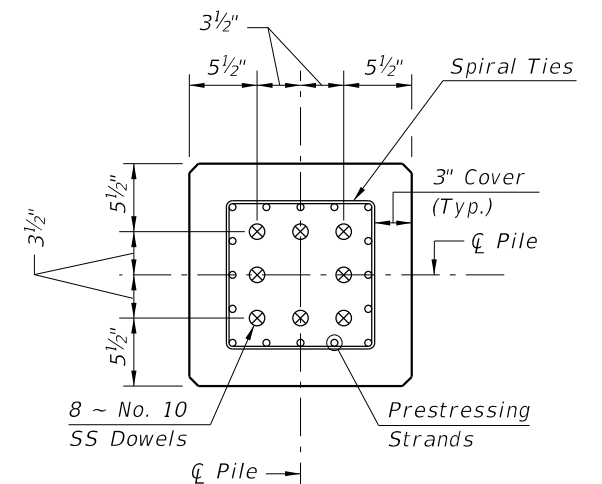
NOTES:

1. Work this Index with Index 455-101 - Typical Details and Notes for Square CFRP & SS Prestressed Concrete Piles and Index 455-102 - Square CFRP & SS Prestressed Concrete Pile Splices.
2. Any of the given Strand Patterns may be utilized.
The strands shall be located as follows:
Place one strand at each corner and place the remaining strands equally spaced between the corner strands.
The total strand pattern shall be concentric with the nominal concrete section of the pile.



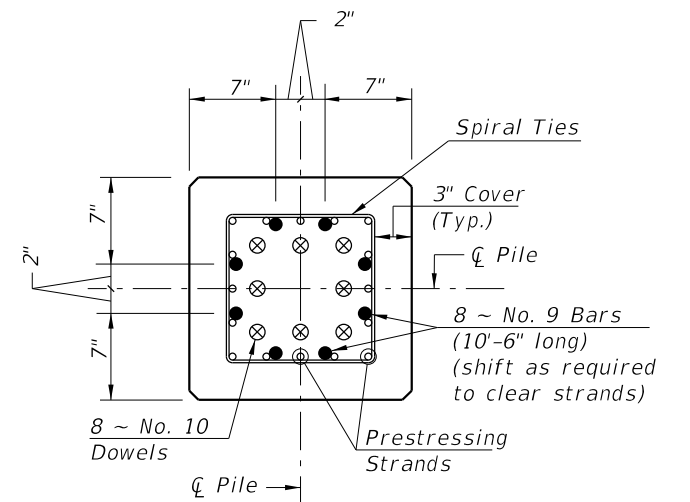
SECTION D-D

(See Non-Drivable Unforeseen Reinforced Precast Pile Build-Up Detail)



SECTION E-E

(See Drivable Prestressed Precast Splice Detail)



SECTION F-F

(See Drivable Preplanned Prestressed Precast Splice Detail)

SS PILE SPLICE REINFORCEMENT DETAILS

10/15/2023 11:56:48 AM

LAST REVISION	DESCRIPTION:
11/01/20	
11/01/24	

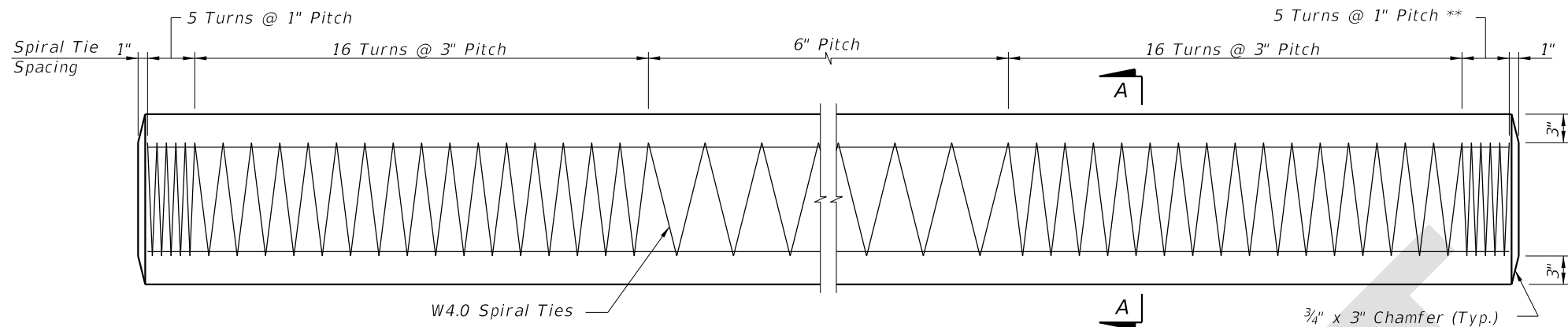


FY 2024-25
STANDARD PLANS

18" SQUARE CFRP & SS PRESTRESSED
CONCRETE PILE

INDEX
455-118

SHEET
2 of 2

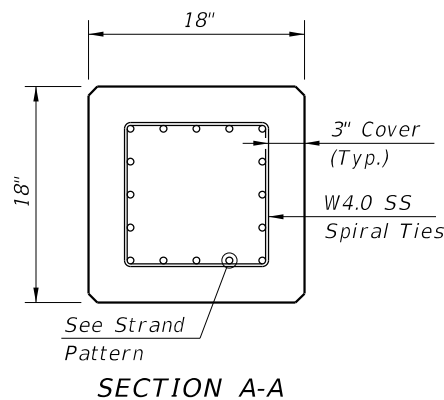


ELEVATION

** See Note 4 on Index 455-102

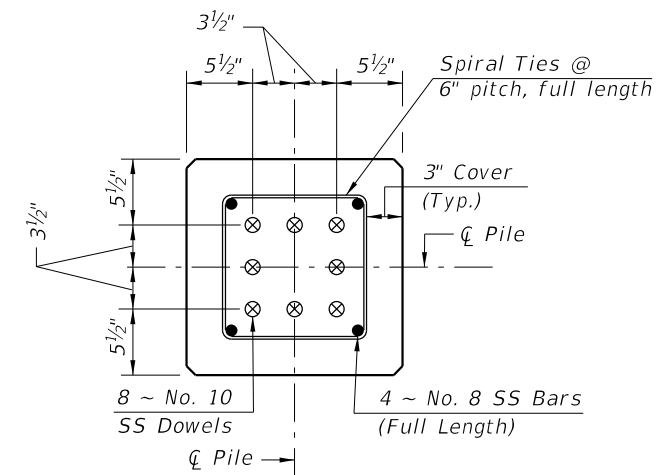
STRAND PATTERN

16 ~ 0.52" Ø, HSSS, at 26 kips
12 ~ 0.62" Ø, HSSS, at 35 kips



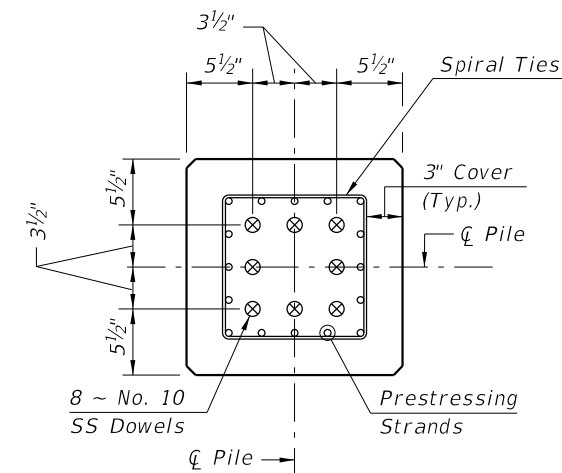
NOTES:

1. Work this Index with Index 455-101 - Typical Details and Notes for Square CFRP & SS Prestressed Concrete Piles and Index 455-102 - Square CFRP & SS Prestressed Concrete Pile Splices.
2. Any of the given Strand Patterns may be utilized.
The strands shall be located as follows:
Place one strand at each corner and place the remaining strands equally spaced between the corner strands.
The total strand pattern shall be concentric with the nominal concrete section of the pile.



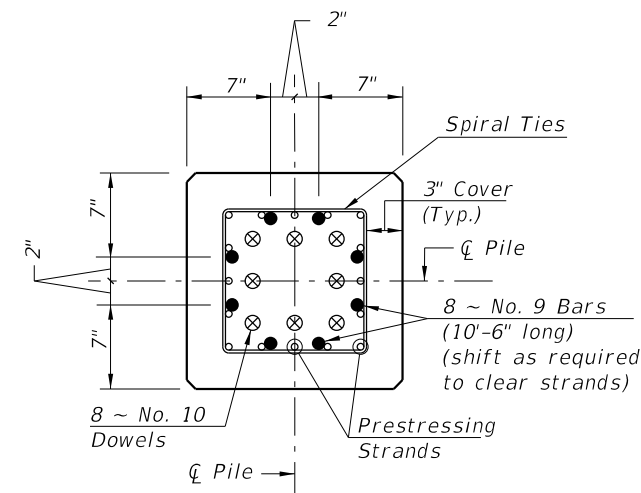
SECTION D-D

(See Non-Drivable Unforescen Reinforced Precast Pile Build-Up Detail)



SECTION E-E

(See Drivable Prestressed Precast Splice Detail)



SECTION F-F

(See Drivable Preplanned Prestressed Precast Splice Detail)

SS PILE SPLICE REINFORCEMENT DETAILS

8/21/2024 2:11:12 PM

LAST REVISION 11/01/24

DESCRIPTION:



FY 2025-26
STANDARD PLANS

18" SQUARE CFRP & SS PRESTRESSED
CONCRETE PILE

INDEX
455-118

SHEET
2 of 2