

Origination Form

Proposed Revisions to a Standard Plans Index

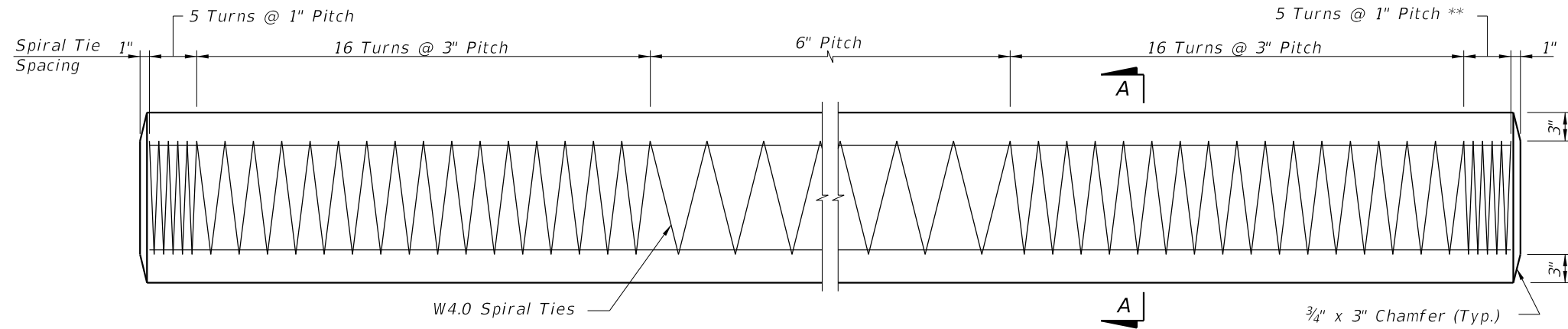
| | | | |
|--------------------|-------------------------------|-------------------------|---|
| Originator: | Turley, Joshua | Index Number: | 455-118 |
| Date: | 8/21/2024 | Sheet Number(s): | 2 |
| E-mail: | Joshua.Turley@dot.state.fl.us | Index Title: | 18" SQUARE CFRP & SS PRESTRESSED CONCRETE PILE |

| |
|--|
| Summary of the changes: |
| Sheet 2: Adjusted Strand Pattern diameter decimal places |

| |
|--|
| Commentary/Background: |
| This is a more accurate representation of the nominal diameter driven by the fact that the strands are fabricated in millimeters not inches. |

| Other Affected Documents/Offices | Person Contacted | Affected (Yes/No) |
|----------------------------------|------------------|-------------------|
| Other Standard Plans | | No |
| FDOT Design Manual | | No |
| Standard Specifications | | No |
| Basis of Estimates Manual | | No |
| Approved Product List | | No |
| Construction Office | | No |
| Maintenance Office | | No |

| |
|--------------------------------------|
| Implementation |
| ["FY-Standard Plans (Next Release)"] |



ELEVATION

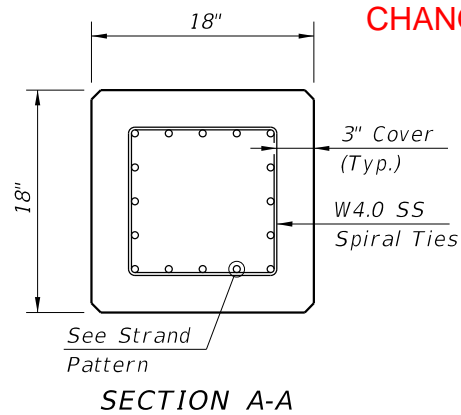
** See Note 4 on Index 455-102

CHANGED TO: 0.520"

CHANGED TO: 0.620"

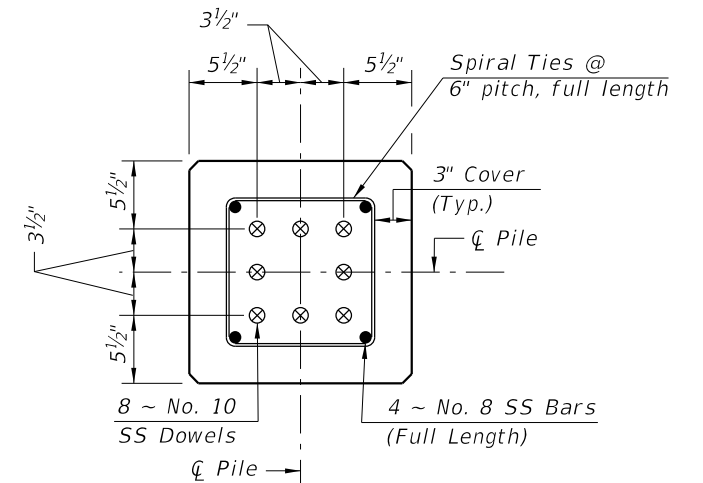
STRAND PATTERN

16 \pm 1/2" \varnothing , HSSS, at 26 kips
 12 \pm 0.6" \varnothing , HSSS, at 35 kips



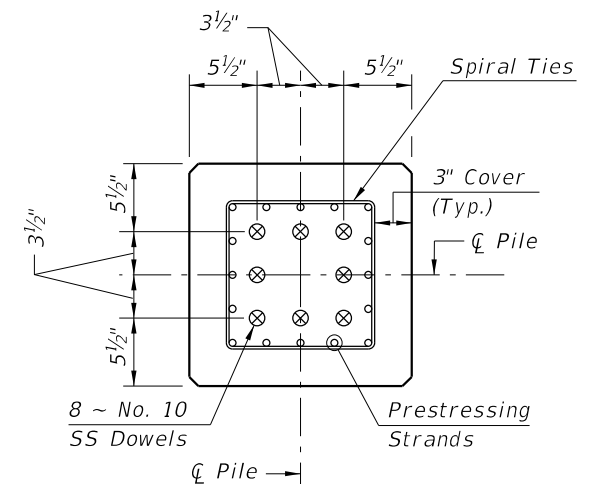
NOTES:

1. Work this Index with Index 455-101 - Typical Details and Notes for Square CFRP & SS Prestressed Concrete Piles and Index 455-102 - Square CFRP & SS Prestressed Concrete Pile Splices.
2. Any of the given Strand Patterns may be utilized.
 The strands shall be located as follows:
 Place one strand at each corner and place the remaining strands equally spaced between the corner strands.
 The total strand pattern shall be concentric with the nominal concrete section of the pile.



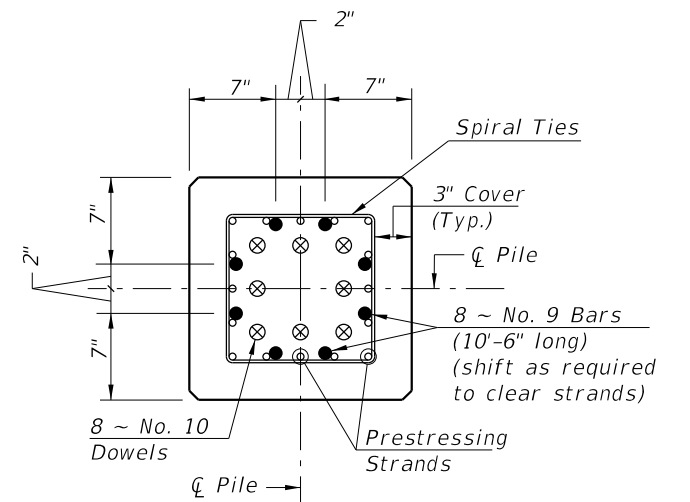
SECTION D-D

(See Non-Drivable Unforeseen Reinforced Precast Pile Build-Up Detail)



SECTION E-E

(See Drivable Prestressed Precast Splice Detail)



SECTION F-F

(See Drivable Preplanned Prestressed Precast Splice Detail)

SS PILE SPLICE REINFORCEMENT DETAILS

10/15/2023 11:56:48 AM

| LAST REVISION | DESCRIPTION: |
|---------------|--------------|
| 11/01/20 | |
| 11/01/24 | |

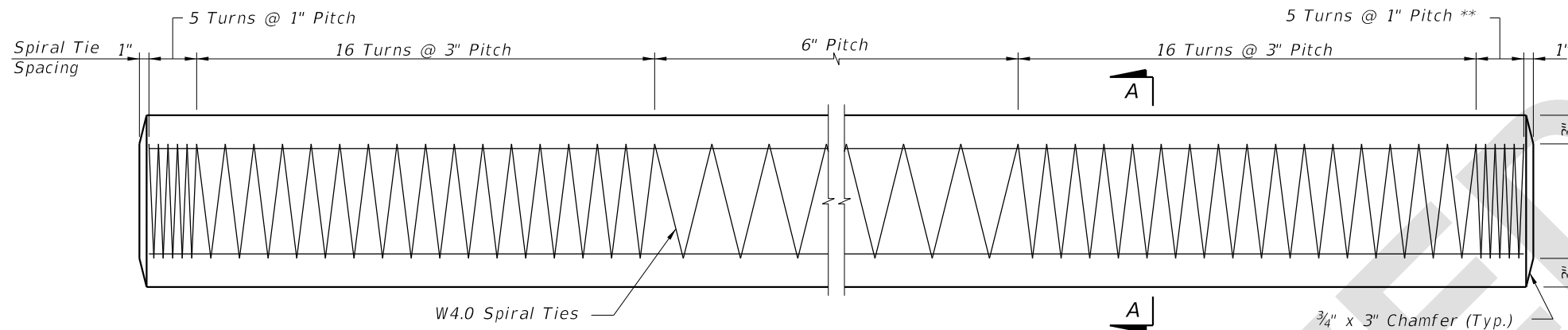


FY 2024-25
STANDARD PLANS

18" SQUARE CFRP & SS PRESTRESSED
CONCRETE PILE

INDEX
455-118

SHEET
2 of 2

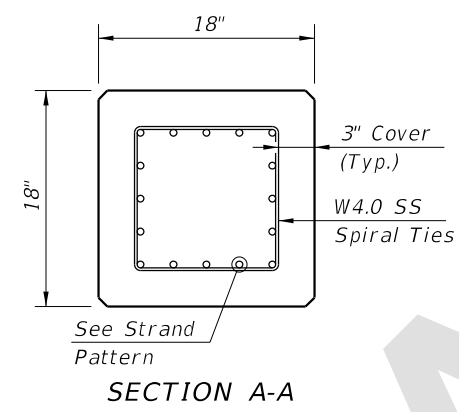


ELEVATION

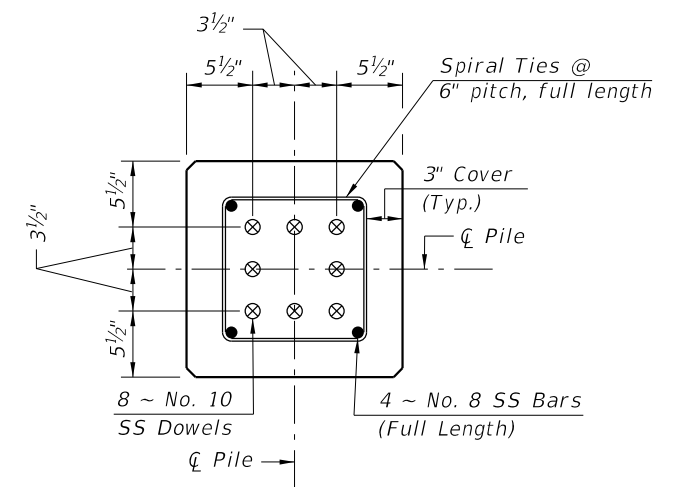
** See Note 4 on Index 455-102

STRAND PATTERN

- 16 ~ 0.52" Ø, HSSS, at 26 kips
- 12 ~ 0.62" Ø, HSSS, at 35 kips

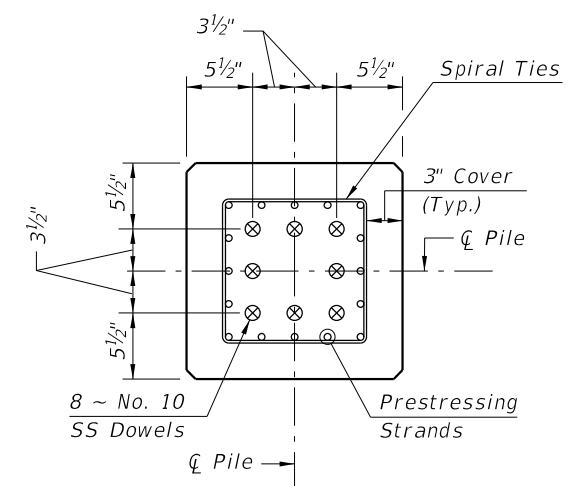


- NOTES:
- Work this Index with Index 455-101 - Typical Details and Notes for Square CFRP & SS Prestressed Concrete Piles and Index 455-102 - Square CFRP & SS Prestressed Concrete Pile Splices.
 - Any of the given Strand Patterns may be utilized.
The strands shall be located as follows:
Place one strand at each corner and place the remaining strands equally spaced between the corner strands.
The total strand pattern shall be concentric with the nominal concrete section of the pile.



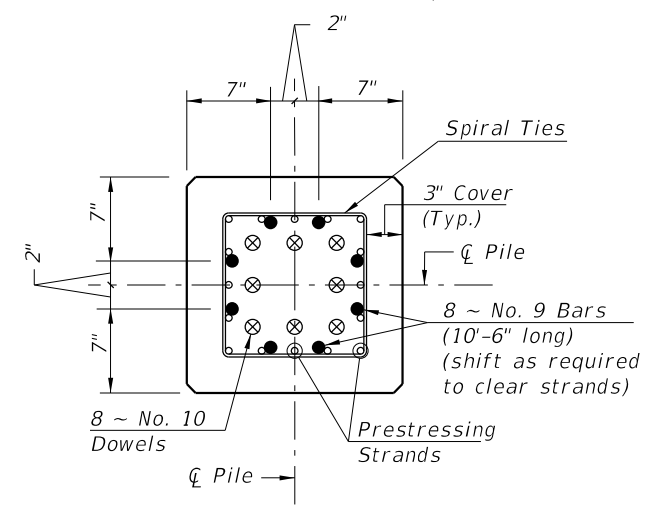
SECTION D-D

(See Non-Drivable Unforescen Reinforced Precast Pile Build-Up Detail)



SECTION E-E

(See Drivable Prestressed Precast Splice Detail)



SECTION F-F

(See Drivable Preplanned Prestressed Precast Splice Detail)

SS PILE SPLICE REINFORCEMENT DETAILS

8/21/2024 2:11:12 PM

| | | | | | |
|---------------------------|--------------|--------------------------------------|---|------------------|-----------------|
| LAST REVISION 11/01/24 | DESCRIPTION: | FDOT FY 2025-26 STANDARD PLANS | 18" SQUARE CFRP & SS PRESTRESSED CONCRETE PILE | INDEX 455-118 | SHEET 2 of 2 |
|---------------------------|--------------|--------------------------------------|---|------------------|-----------------|