

Origination Form

Proposed Revisions to a Standard Plans Index

Originator:	Turley, Joshua	Index Number:	455-112
Date:	8/21/2024	Sheet Number(s):	2
E-mail:	Joshua.Turley@dot.state.fl.us	Index Title:	12" SQUARE CFRP & SS PRESTRESSED CONCRETE PILE

Summary of the changes:

Sheet 2: Adjusted Strand Pattern diameter decimal places

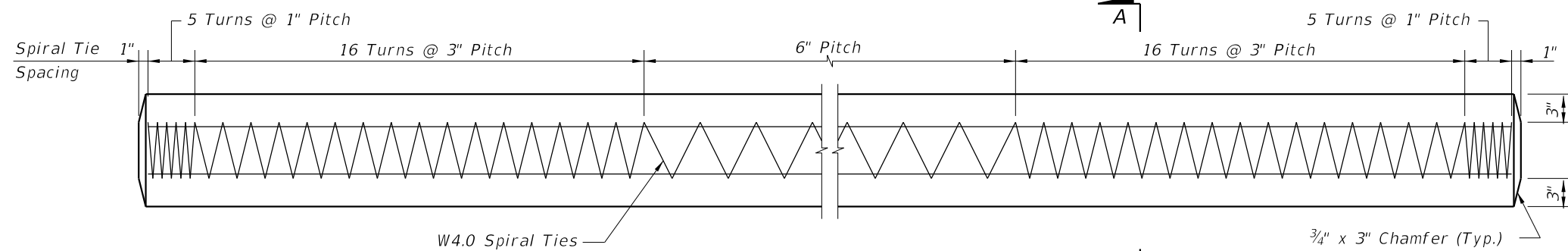
Commentary/Background:

This is a more accurate representation of the nominal diameter driven by the fact that the strands are fabricated in millimeters not inches.

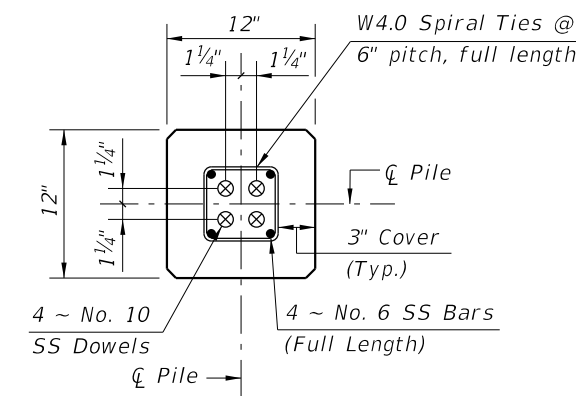
Other Affected Documents/Offices	Person Contacted	Affected (Yes/No)
Other Standard Plans		No
FDOT Design Manual		No
Standard Specifications		No
Basis of Estimates Manual		No
Approved Product List		No
Construction Office		No
Maintenance Office		No

Implementation

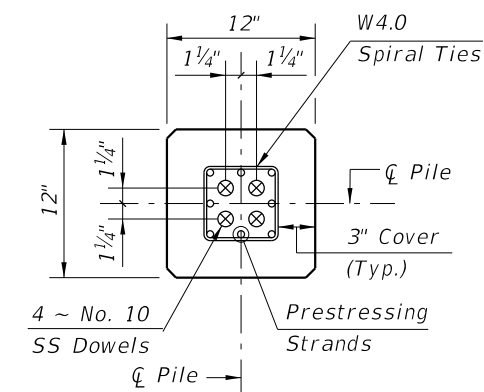
["FY-Standard Plans (Next Release)"]



ELEVATION



SECTION D-D
(See Non-Drivable Unforeseen Reinforced Precast Pile Build-Up Detail)



SECTION E-E
(See Drivable Unforeseen Prestressed Precast Pile Splice Detail)

SS PILE SPLICE REINFORCEMENT DETAILS

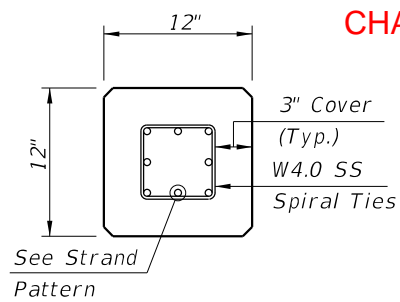
- NOTES:
1. Work this Index with Index 455-101 - Typical Details and Notes for Square CFRP & SS Prestressed Concrete Piles and Index 455-102 - Square CFRP & SS Prestressed Concrete Pile Splices.
 2. Any of the given Strand Patterns may be utilized.
The strands shall be located as follows:
Place one strand at each corner and place the remaining strands equally spaced between the corner strands.
The total strand pattern shall be concentric with the nominal concrete section of the pile.

CHANGED TO: 0.520"

CHANGED TO: 0.620"

STRAND PATTERN

- 8 - 1/2" Ø, HSSS at 24 kips
- 8 - 0.6" Ø, HSSS at 26 kips



SECTION A-A

10/15/2023 11:54:16 AM

LAST REVISION	DESCRIPTION:
11/01/20	

11/01/24



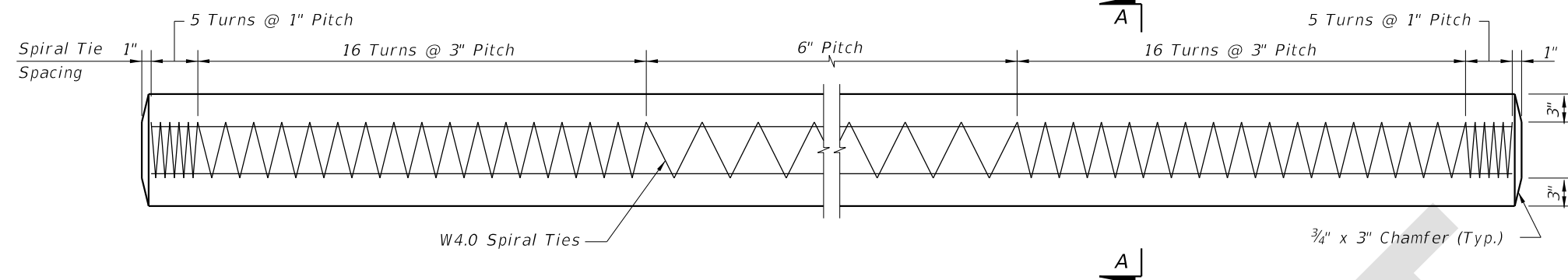
FY 2024-25
STANDARD PLANS

12" SQUARE CFRP & SS PRESTRESSED
CONCRETE PILE

SS PRESTRESSED PILE DETAILS

INDEX
455-112

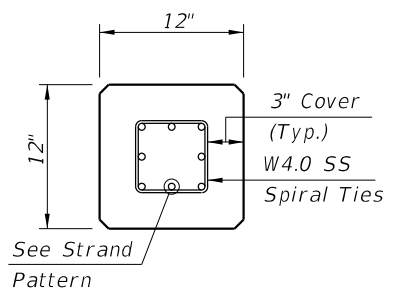
SHEET
2 of 2



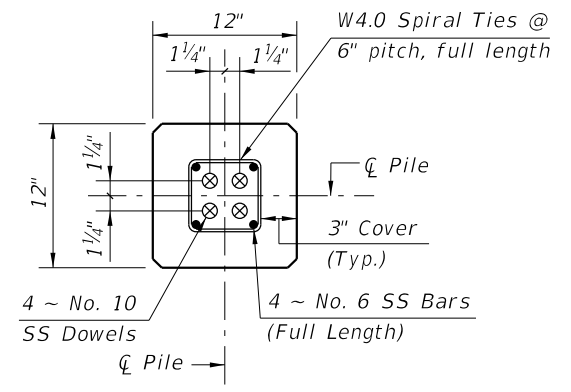
ELEVATION

STRAND PATTERN

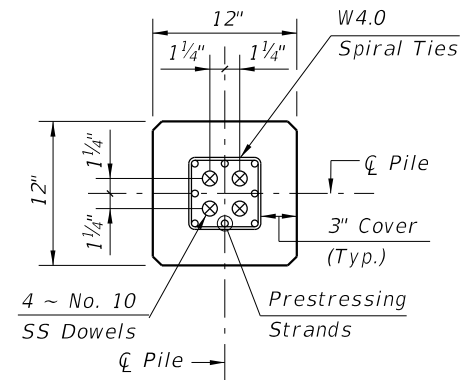
- 8 ~ 0.52" Ø, HSSS at 24 kips
- 8 ~ 0.62" Ø, HSSS at 26 kips



SECTION A-A



SECTION D-D
(See Non-Drivable Unforeseen Reinforced Precast Pile Build-Up Detail)



SECTION E-E
(See Drivable Unforeseen Prestressed Precast Pile Splice Detail)

SS PILE SPLICE REINFORCEMENT DETAILS

- NOTES:
1. Work this Index with Index 455-101 - Typical Details and Notes for Square CFRP & SS Prestressed Concrete Piles and Index 455-102 - Square CFRP & SS Prestressed Concrete Pile Splices.
 2. Any of the given Strand Patterns may be utilized.
The strands shall be located as follows:
Place one strand at each corner and place the remaining strands equally spaced between the corner strands.
The total strand pattern shall be concentric with the nominal concrete section of the pile.

8/21/2024 2:12:48 PM

LAST REVISION 11/01/24	REVISION	DESCRIPTION:	 FY 2025-26 STANDARD PLANS	12" SQUARE CFRP & SS PRESTRESSED CONCRETE PILE	INDEX 455-112	SHEET 2 of 2
---------------------------	----------	--------------	----------------------------------	---	-------------------------	------------------------

SS PRESTRESSED PILE DETAILS