

# Origination Form

## Proposed Revisions to a Standard Plans Index

<b>Originator:</b>	McGinnis, James	<b>Index Number:</b>	102-661
<b>Date:</b>	5/8/2024	<b>Sheet Number(s):</b>	1 and 2
<b>E-mail:</b>	James.McGinnis@dot.state.fl.us	<b>Index Title:</b>	BICYCLE FACILITY CLOSURES

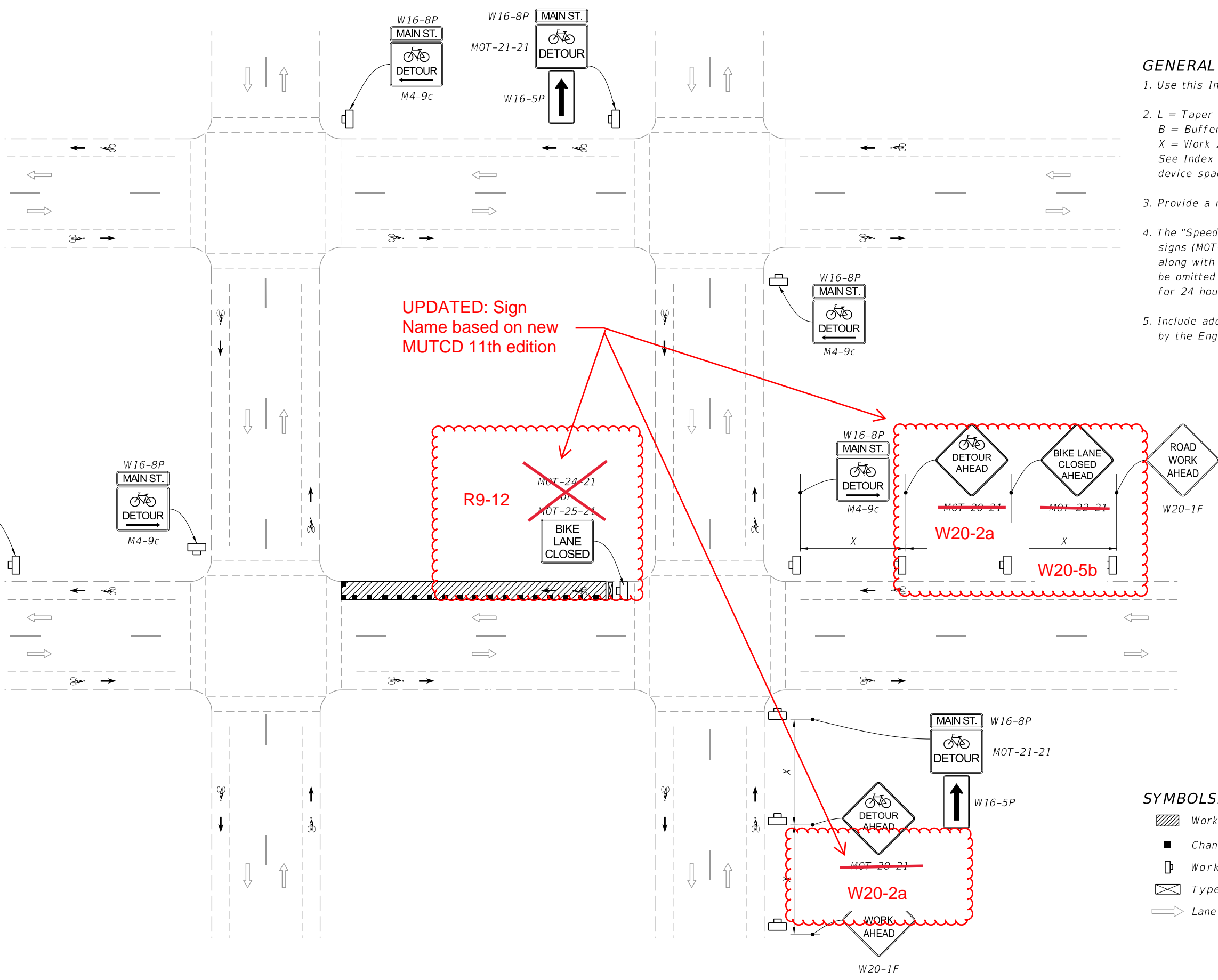
<b>Summary of the changes:</b>
Sheet 1: Updated sign names based on new MUTCD 11th edition
Sheet 2: Updated sign names based on new MUTCD 11th edition. Updated signs W16-1P detail. Updated "Bikes Merge" sign.

<b>Commentary/Background:</b>
Sign names and graphics updated to be in compliance with the new MUTCD 11th Edition.

Other Affected Documents/Offices	Person Contacted	Affected (Yes/No)
Other Standard Plans	Darren Martin	Yes
Florida Design Manual		No
Standard Specifications		No
Basis of Estimates Manual		No
Approved Product List		No
Construction Office		No
Maintenance Office		No

<b>Implementation</b>
["FY-Standard Plans (Next Release)"]

9/28/2023 8:39:29 AM



UPDATED: Sign Name based on new MUTCD 11th edition

**GENERAL NOTES:**

1. Use this Index only when called for in the Plans.
2. L = Taper Length  
B = Buffer Length  
X = Work Zone Sign Distance  
See Index 102-600 for "L", "B", "X", channelizing device spacing values.
3. Provide a minimum 5'-0" wide bicycle path.
4. The "Speeding Fines Doubled When Workers Present" signs (MOT-13-06) and "End Road Work" signs (G20-2), along with associated work zone sign distances, may be omitted when the work operation will be in place for 24 hours or less.
5. Include additional signage at intersections as required by the Engineer or shown in the Plans.

**SYMBOLS:**

- Work Area
- Channelizing Device (See Index 102-600)
- Work Zone Sign
- Type III Barricade
- Lane Identification and Direction of Traffic

BICYCLE DETOUR

11/01/24

LAST REVISION <del>11/01/21</del>	DESCRIPTION:
--------------------------------------	--------------



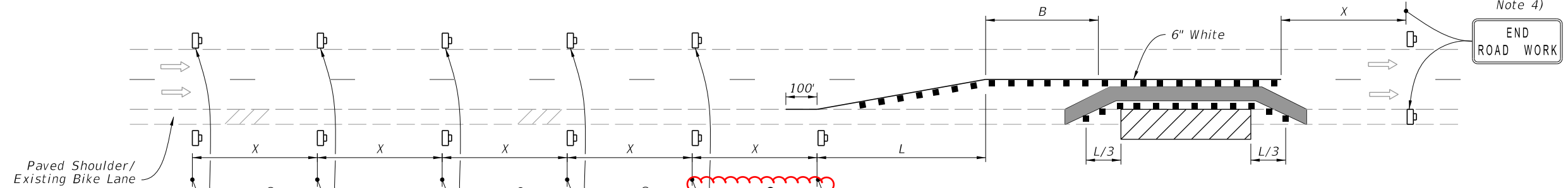
FY 2024-25  
STANDARD PLANS

BICYCLE FACILITY CLOSURES

INDEX  
102-661

SHEET  
1 of 2

G20-2  
(See General  
Note 4)



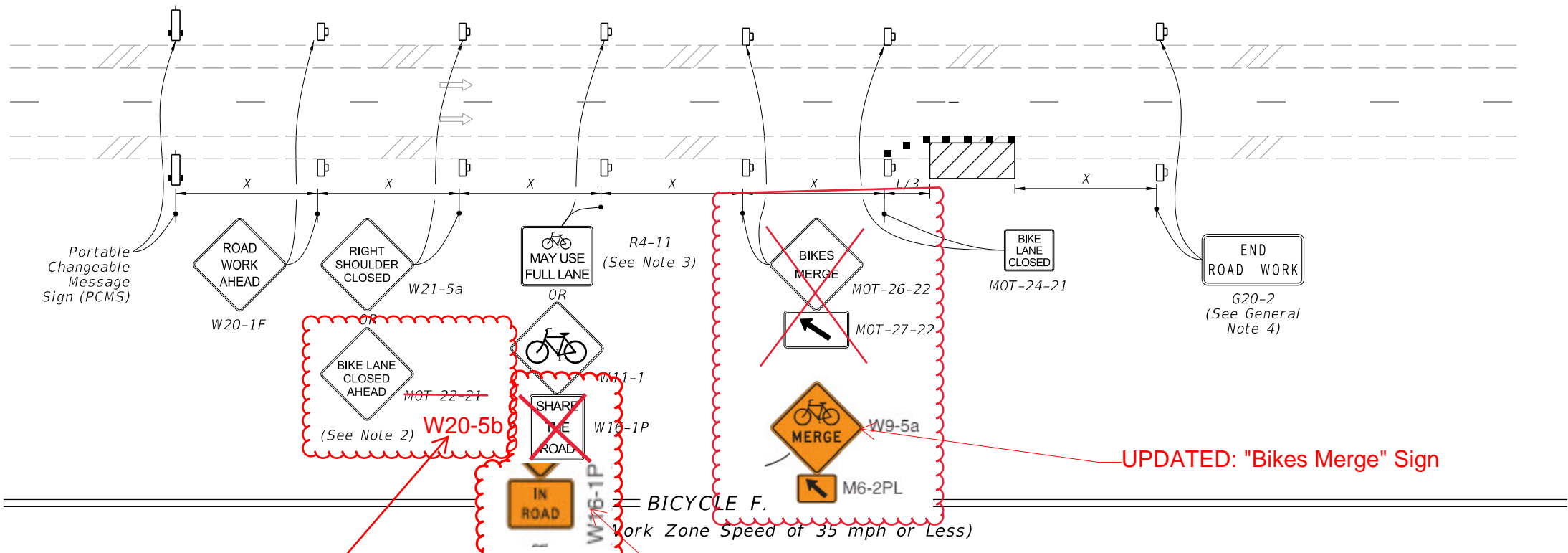
**NOTES:**

1. Temporary pavement markings may be omitted when the work operation is in place for 3 days or less.
2. If the Closed Bicycle Facility is a marked bicycle lane, use sign MOT 22-21 instead of sign W21-5a.
3. If the travel lane is less than 14' wide, use sign R4-11.

**SYMBOLS:**

- Work Area
- Temporary Bicycle Way
- Channelizing Device (See Index 102-600)
- Work Zone Sign
- Arrow Board
- Lane Identification and Direction of Traffic
- (1) PCMS=Portable Changeable (Variable) Message Sign

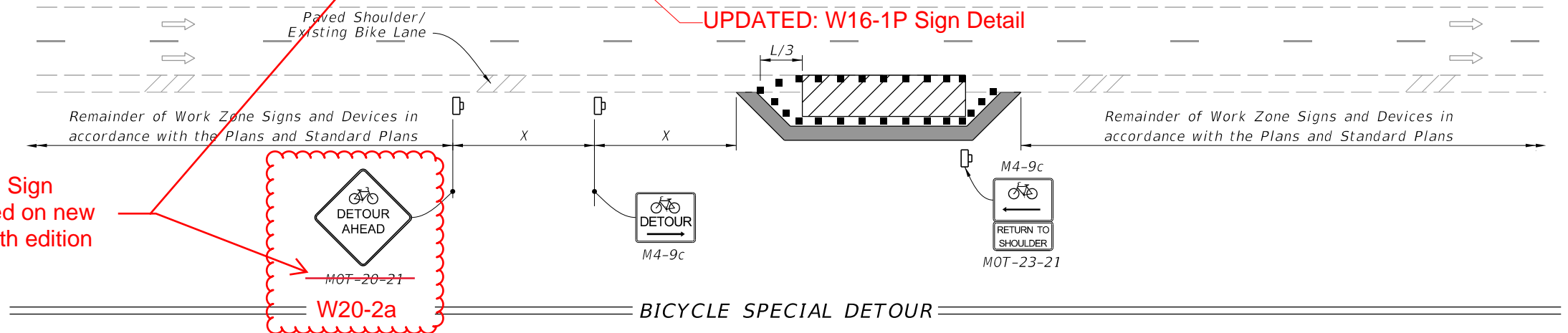
**BICYCLE FACILITY SHIFT (With Lane Closure)**



**TYPICAL PCMS DISPLAY:**

Message 1: BIKE FACILITY CLOSED  
Message 2: BICYCLES ON ROAD

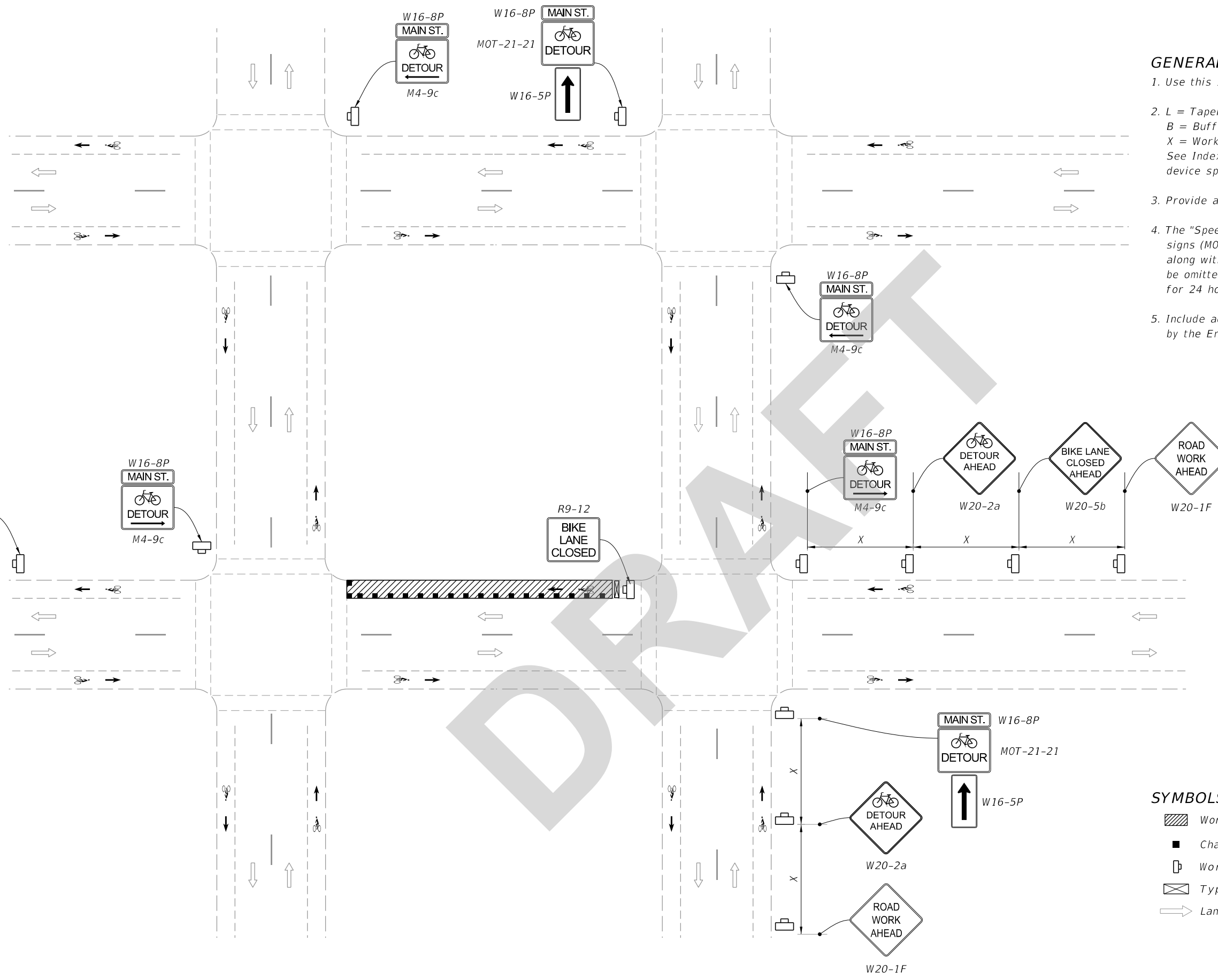
UPDATED: Sign Name based on new MUTCD 11th edition



9/28/2023 8:39:33 AM

LAST REVISION <del>11/01/21</del>	REVISION	DESCRIPTION:		FY 2024-25 STANDARD PLANS	BICYCLE FACILITY CLOSURES	INDEX 102-661	SHEET 2 of 2
--------------------------------------	----------	--------------	--	------------------------------	---------------------------	------------------	-----------------

5/29/2024 8:13:20 AM



**GENERAL NOTES:**

1. Use this Index only when called for in the Plans.
2. L = Taper Length  
B = Buffer Length  
X = Work Zone Sign Distance  
See Index 102-600 for "L", "B", "X", channelizing device spacing values.
3. Provide a minimum 5'-0" wide bicycle path.
4. The "Speeding Fines Doubled When Workers Present" signs (MOT-13-06) and "End Road Work" signs (G20-2), along with associated work zone sign distances, may be omitted when the work operation will be in place for 24 hours or less.
5. Include additional signage at intersections as required by the Engineer or shown in the Plans.

**SYMBOLS:**

- Work Area
- Channelizing Device (See Index 102-600)
- Work Zone Sign
- Type III Barricade
- Lane Identification and Direction of Traffic

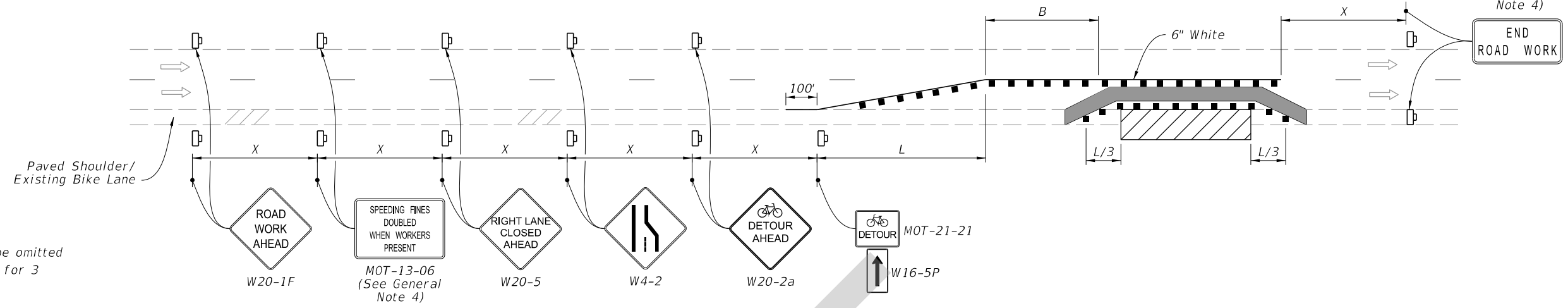
=====**BICYCLE DETOUR**=====

LAST REVISION 11/01/21	REVISION	DESCRIPTION:
------------------------------	----------	--------------

**FY 2025-26  
STANDARD PLANS**

**BICYCLE FACILITY CLOSURES**

INDEX <b>102-661</b>	SHEET <b>1 of 2</b>
-------------------------	------------------------



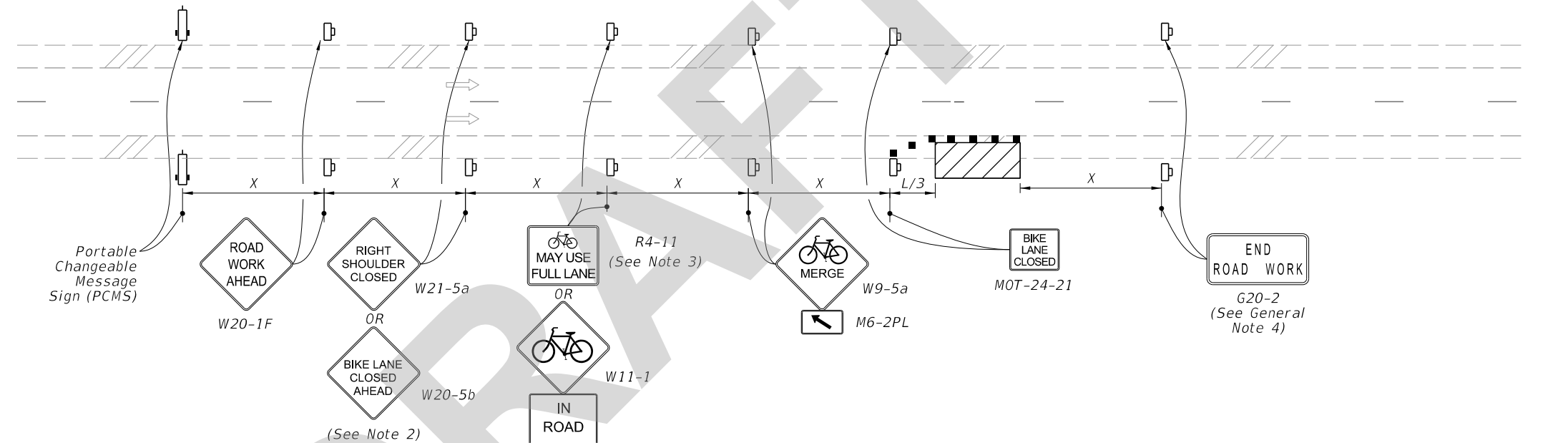
**NOTES:**

- 1. Temporary pavement markings may be omitted when the work operation is in place for 3 days or less.
- 2. If the Closed Bicycle Facility is a marked bicycle lane, use sign MOT 22-21 instead of sign W21-5a.
- 3. If the travel lane is less than 14' wide, use sign R4-11.

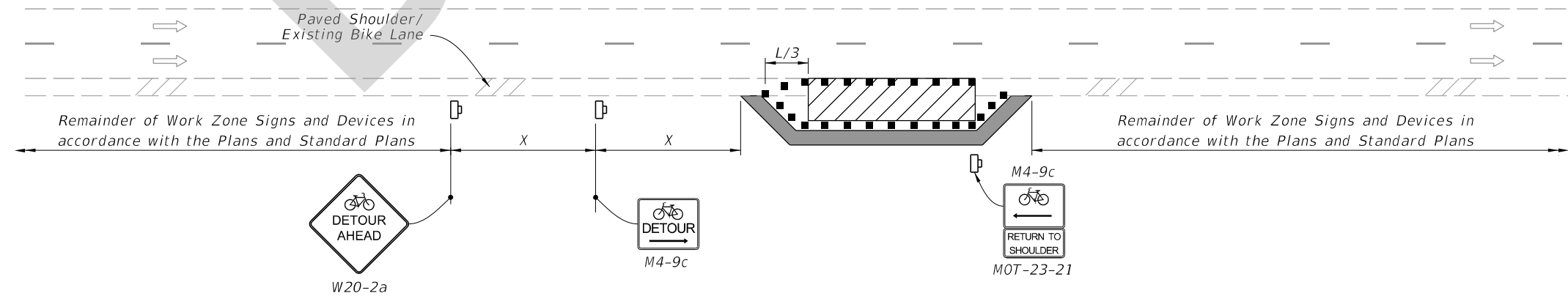
**SYMBOLS:**

- Work Area
- Temporary Bicycle Way
- Channelizing Device (See Index 102-600)
- Work Zone Sign
- Arrow Board
- Lane Identification and Direction of Traffic
- (1) PCMS=Portable Changeable (Variable) Message Sign

**BICYCLE FACILITY SHIFT (With Lane Closure)**



**BICYCLE FACILITY SHIFT (Work Zone Speed of 35 mph or Less)**



**BICYCLE SPECIAL DETOUR**

**TYPICAL PCMS DISPLAY:**

- Message 1: BIKE FACILITY CLOSED
- Message 2: BICYCLES ON ROAD

8/13/25 AM  
5/29/2024