

Origination Form

Proposed Revisions to a Standard Plans Index

Originator:	Turley, Joshua	Index Number:	102-201
Date:	6/27/2024	Sheet Number(s):	2
E-mail:	Joshua.Turley@dot.state.fl.us	Index Title:	TEMPORARY ACROW SERIES 700XS DETOUR BRIDGE BEAM AND GUARDRAIL DETAIL

Summary of the changes:

Sheet 2: Added Paved Surface to Thrie Beam to Bridge Guardrail Transition detail and updated dimensions to accommodate; Added additional callouts to Guardrail End Transition detail; Lengthened the plate size in the 1/4" Guardrail Back Plate Detail, clarified the dimensions and added notes

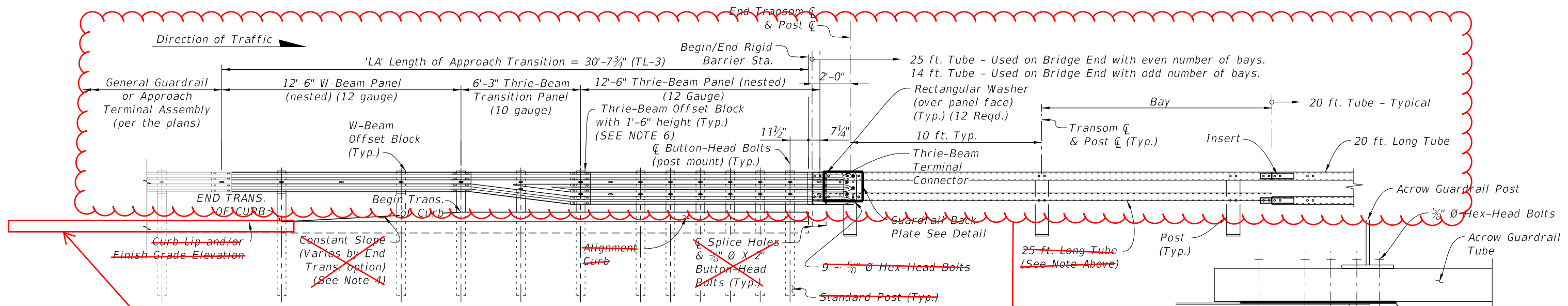
Commentary/Background:

This change added clarity and improved connection detailing.

Other Affected Documents/Offices	Person Contacted	Affected (Yes/No)
Other Standard Plans		No
FDOT Design Manual		No
Standard Specifications		No
Basis of Estimates Manual		No
Approved Product List		No
Construction Office		No
Maintenance Office		No

Implementation

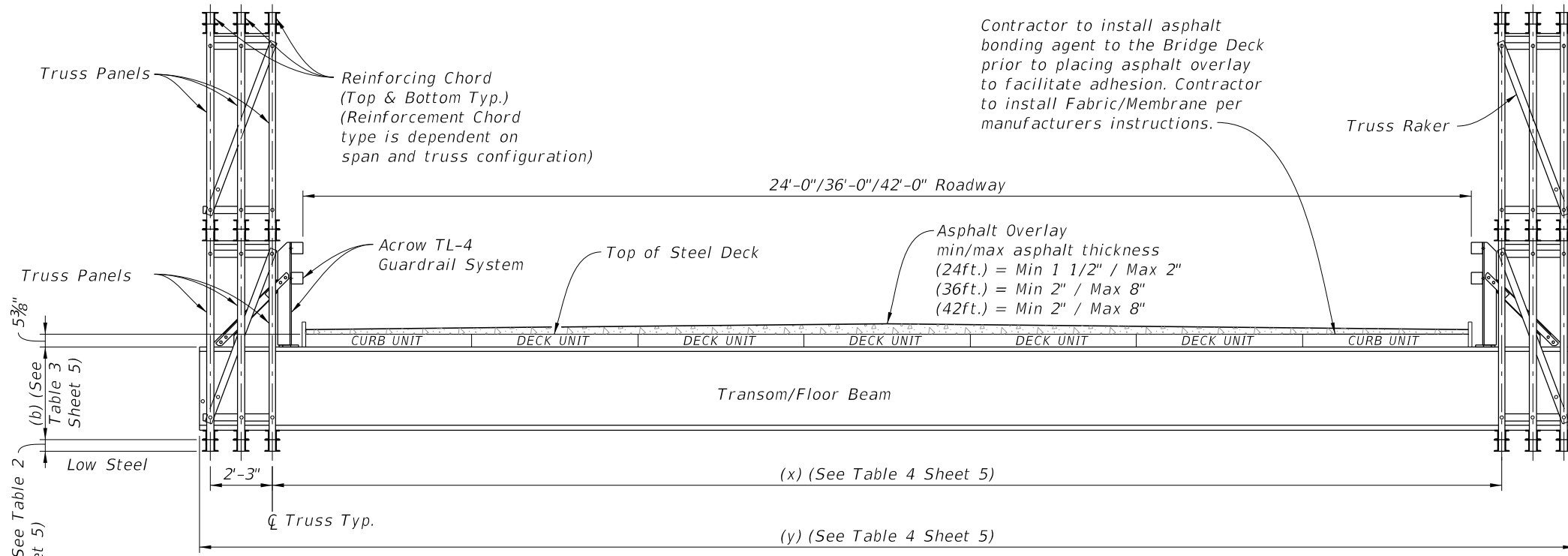
["FY-Standard Plans (Next Release)"]



Paved Surface (Type Varies)

THRIE BEAM TO BRIDGE GUARDRAIL TRANSITION

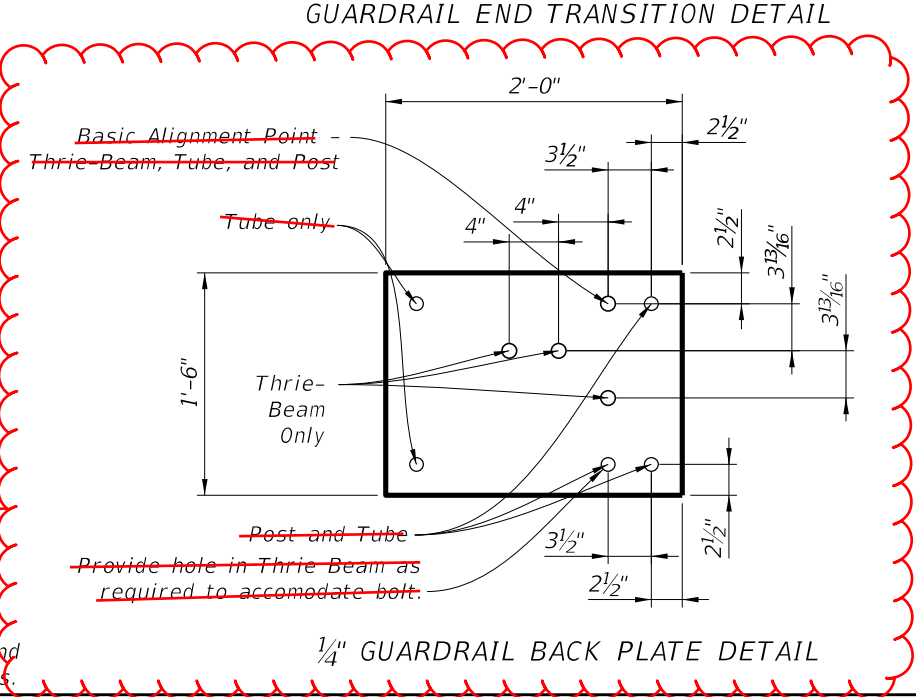
UPDATED dimensions and detail to accommodate paved surface



SECTION A-A (Double High Truss shown, Single High Truss Similar)

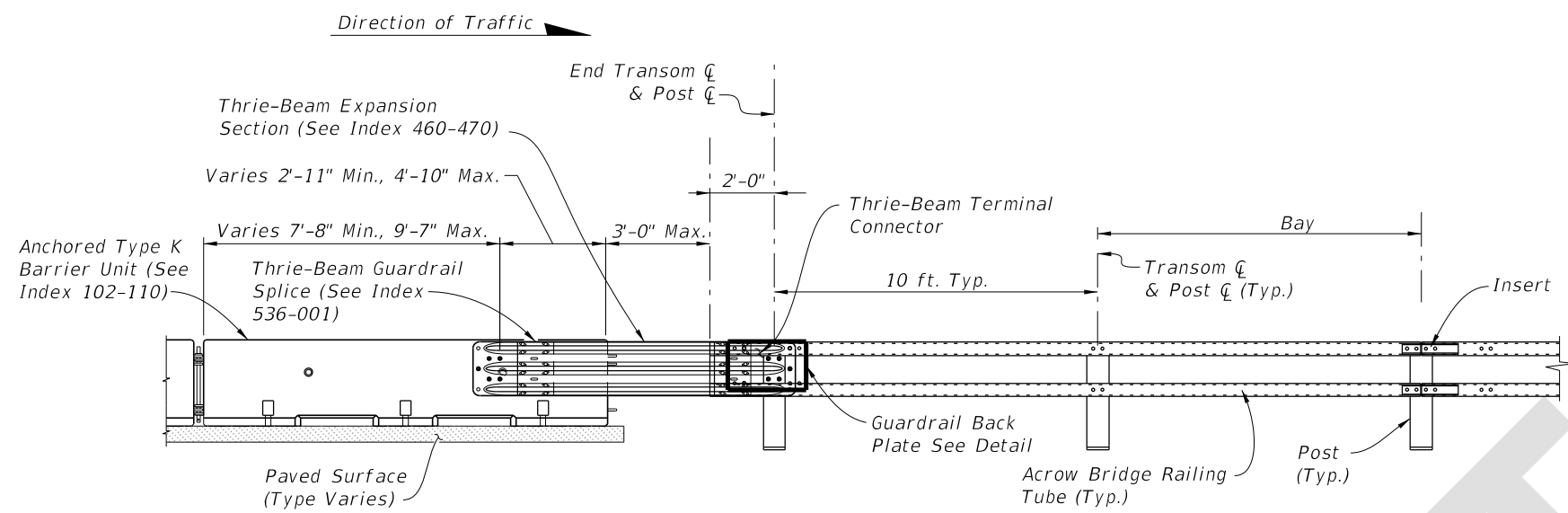
Lengthened plate size for better alignment and added notes for clarity

NOTE: See Acrow Technical Handbook and parts list for item number details.

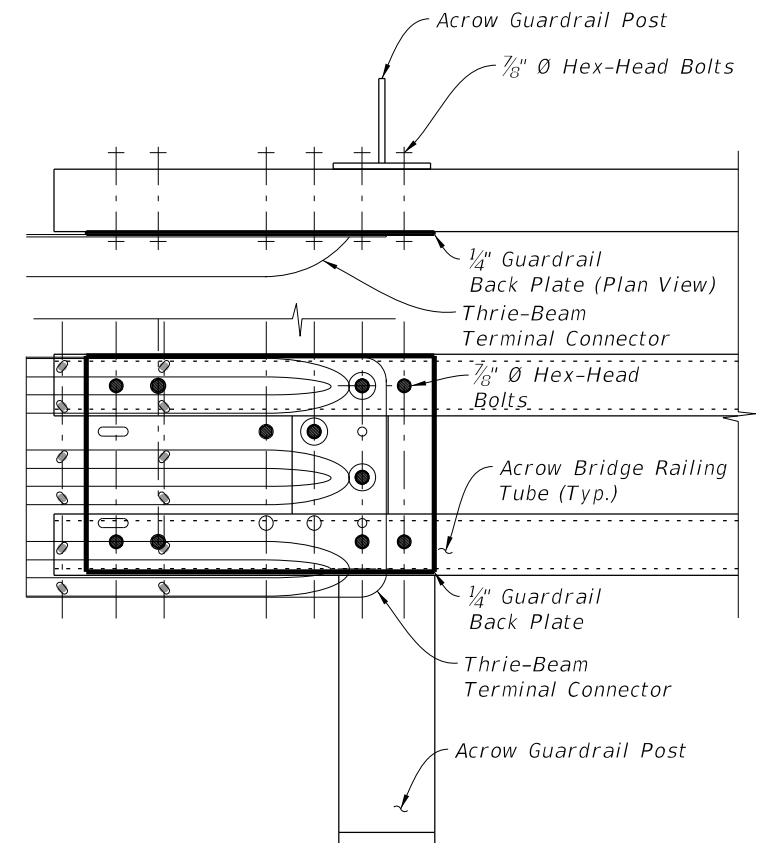


10/15/2023 11:06:59 AM

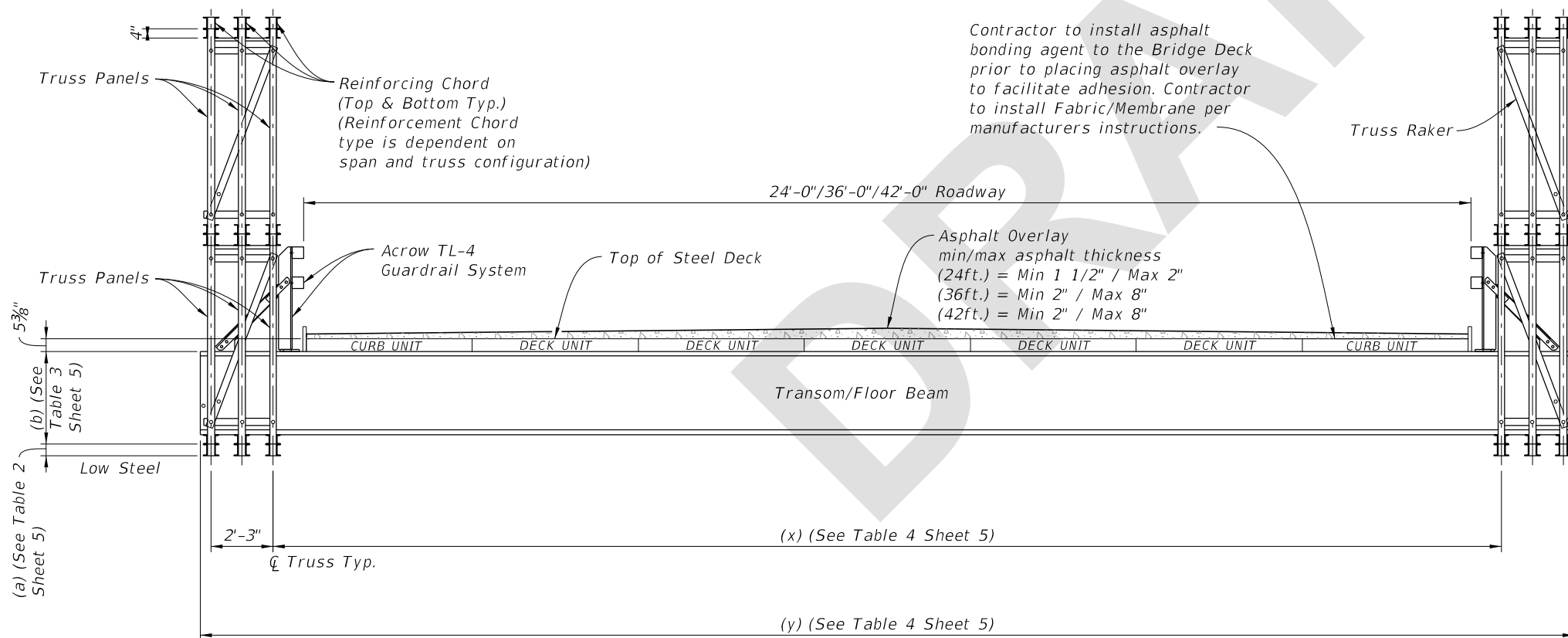
LAST REVISION 01/01/22 11/01/24	REVISION	DESCRIPTION:	FDOT	2025-26 FY 2024-25 STANDARD PLANS	TEMPORARY ACROW SERIES 700XS DETOUR BRIDGE BEAM AND GUARDRAIL DETAILS	INDEX 102-201	SHEET 2 of 5
---------------------------------------	----------	--------------	------	---	--	------------------	-----------------



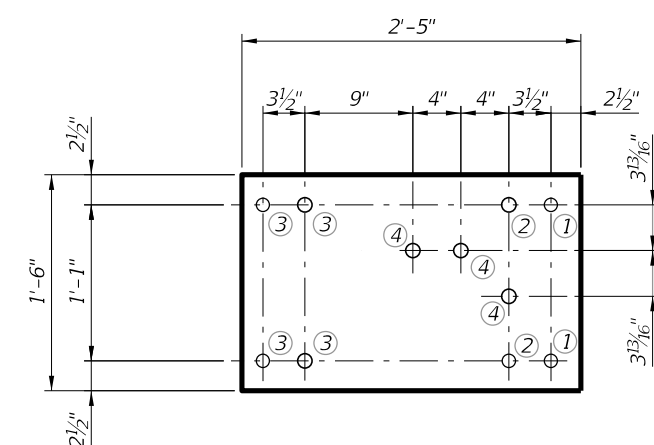
THRIE BEAM TO BRIDGE GUARDRAIL TRANSITION



GUARDRAIL END TRANSITION DETAIL



SECTION A-A
(Double High Truss shown, Single High Truss Similar)



1/4" GUARDRAIL BACK PLATE DETAIL

CONNECTION NOTES:


At the numbered locations, align bolt holes and thru-bolt the following:

- ① Post - Tube - Plate
- ② Post - Tube - Plate - Thrie-Beam
- ③ Tube - Plate
- ④ Plate - Thrie-Beam

Back Plate is ASTM A36.
Use plate washers for all Thrie-Beam to plate connections.
Use 7/8" Ø Hex Head Bolts.
Drill, ream, or slot holes in Thrie-Beam connector as required for fit up.

NOTE: See Acrow Technical Handbook and parts list for item number details.

7/25/2024 10:44:52 AM

LAST REVISION 11/01/24	REVISION	DESCRIPTION:	 FY 2025-26 STANDARD PLANS	TEMPORARY ACROW SERIES 700XS DETOUR BRIDGE BEAM AND GUARDRAIL DETAILS	INDEX 102-201	SHEET 2 of 5
---------------------------	----------	--------------	---	--	------------------	-----------------