
ORIGINATION FORM

Proposed Revisions to a Standard Plans Index
(Please provide all information — Incomplete forms will be returned)

Contact Information:

Date: April 5, 2023
Originator: Rick Jenkins
Phone: (850) 414-4355
Email: Rick.Jenkins@dot.state.fl.us

Standard Plans:

Index Number: 711-003
Sheet Number (s): 1 and 2 of 8
Index Title: Interchange Markings

Summary of the changes:

Sheet 1: Deleted the 18" white diagonal pavement markings and label along the mainline shoulder approaching the gore in both the Taper Type Entrance and the Parallel - Type Entrance.

Sheet 2: Deleted the 18" white diagonal pavement markings and/or label along the mainline shoulder approaching the gore in all details.

Commentary / Background:

After coordination with the Traffic Engineering and Operations Office, the 18" white diagonal pavement markings along the mainline shoulder approaching the gore on entrance ramps are being deleted as they are not shown or required in the AASHTO Greenbook. These markings will remain a requirement on exit ramps.

Other Affected Offices / Documents: (Provide name of person contacted)

Yes	No	
<input type="checkbox"/>	<input checked="" type="checkbox"/>	Other Standard Plans –
<input type="checkbox"/>	<input checked="" type="checkbox"/>	FDOT Design Manual –
<input type="checkbox"/>	<input checked="" type="checkbox"/>	Basis of Estimates Manual –
<input type="checkbox"/>	<input checked="" type="checkbox"/>	Standard Specifications –
<input type="checkbox"/>	<input checked="" type="checkbox"/>	Approved Product List –
<input type="checkbox"/>	<input checked="" type="checkbox"/>	Construction –
<input type="checkbox"/>	<input checked="" type="checkbox"/>	Maintenance –

Origination Package Includes: (Submit package to Rick Jenkins)

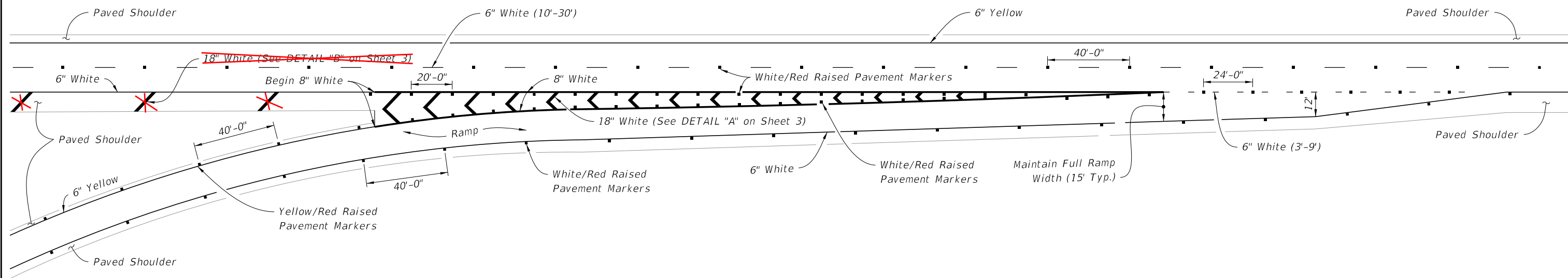
Yes	N/A	
<input checked="" type="checkbox"/>	<input type="checkbox"/>	Redline Mark-ups
<input type="checkbox"/>	<input type="checkbox"/>	Revised or Proposed Standard Plan Instruction (SPI)
<input type="checkbox"/>	<input type="checkbox"/>	Other Support Documents

Implementation:

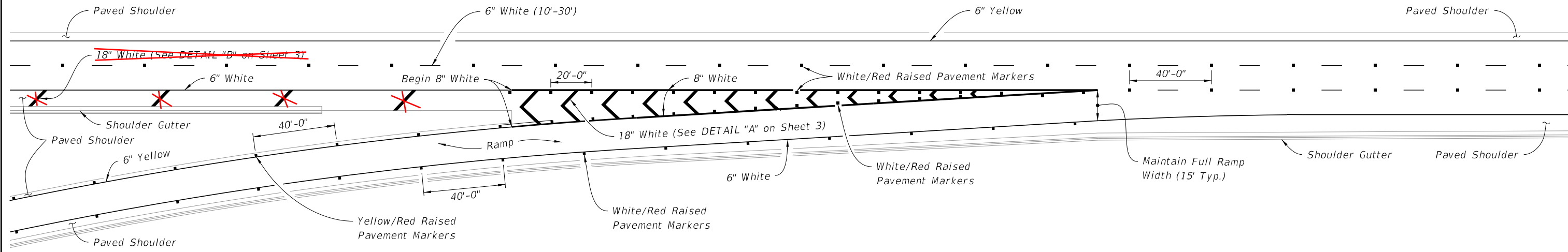
Design Bulletin (Interim)
 DCE Memo
 Program Mgmt. Bulletin
 FY-Standard Plans (Next Release)

Contact the Roadway Design Office for assistance in completing this form

Email to: Rick Jenkins rick.jenkins@dot.state.fl.us and Darren Martin darren.martin@dot.state.fl.us



TAPER - TYPE ENTRANCE




PARALLEL - TYPE ENTRANCE

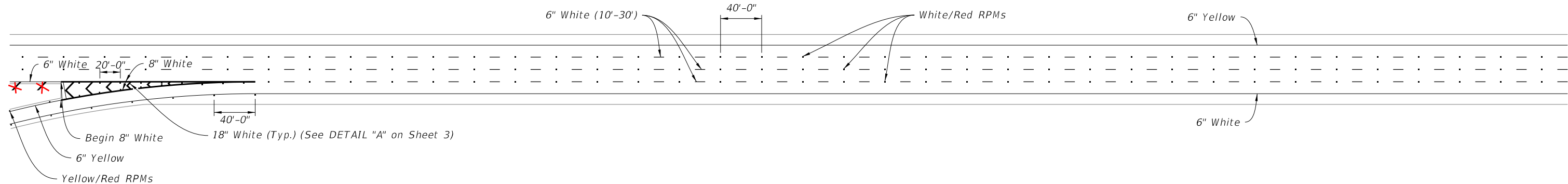
GENERAL NOTES:

- 1. Make the traffic face of the raised pavement marker (RPM) the same color as the pavement marking that it is supplementing.
- 2. See Index 706-001 for additional Raised Pavement Markers (RPM) requirements.

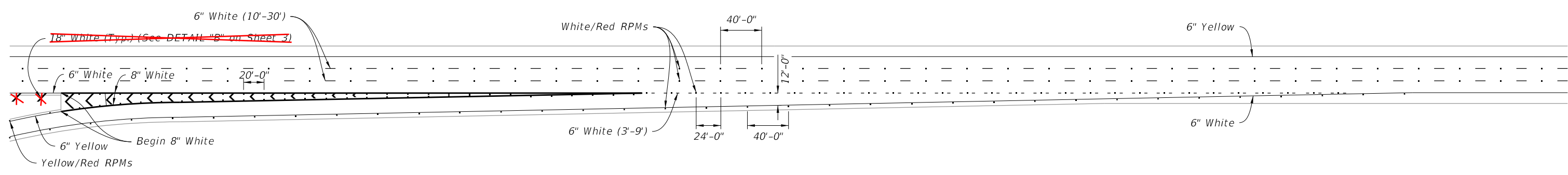
SINGLE LANE RAMPS - ENTRANCE TERMINALS

12/13/2022 8:41:01 AM

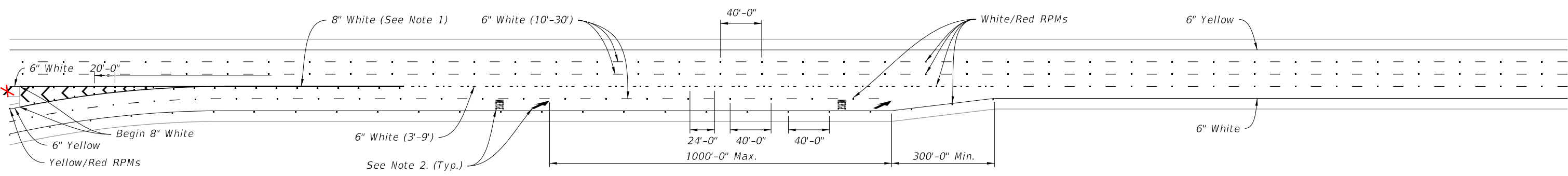
LAST 23 REVISION 11/01/21	REVISION	DESCRIPTION:	 FY 2023-24 STANDARD PLANS	INTERCHANGE MARKINGS	INDEX 711-003	SHEET 1 of 8
--	----------	--------------	---	----------------------	------------------	-----------------



PARALLEL-TYPE ENTRANCE WITH ADDED LANE



TAPER-TYPE ENTRANCE




TWO-LANE PARALLEL-TYPE ENTRANCE WITH ADDED LANE
(Single-Lane Parallel-Type Entrance Without Added Lane Similar, See Note 3)

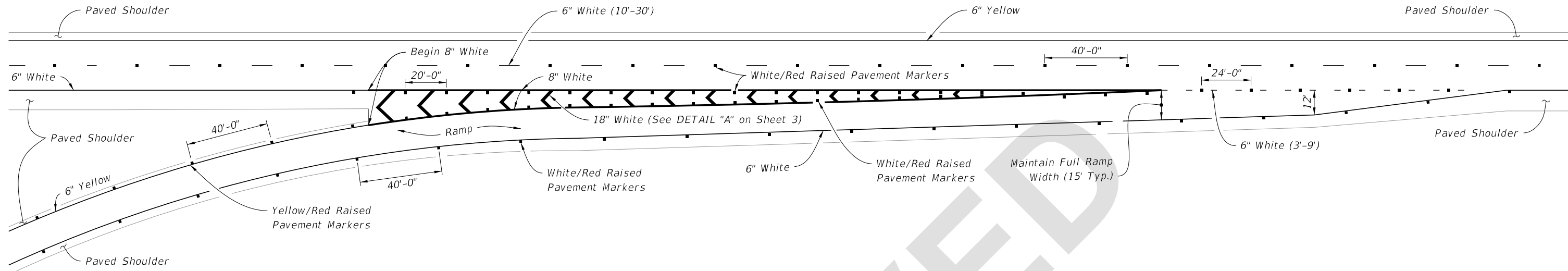
NOTES:

1. Extend this 8" white Pavement Marker one-fourth the length of the acceleration lane from the gore markings.
2. See Index 711-001 for pavement message dimensions and details.
3. Discontinue the 6" White (3'-9") Dotted Interchange Line where the merging taper begins for a Single-Lane Parallel-Type Entrance Without Added Lane. Merge Pavement Message and Arrow only used for Two-Lane Entrances.

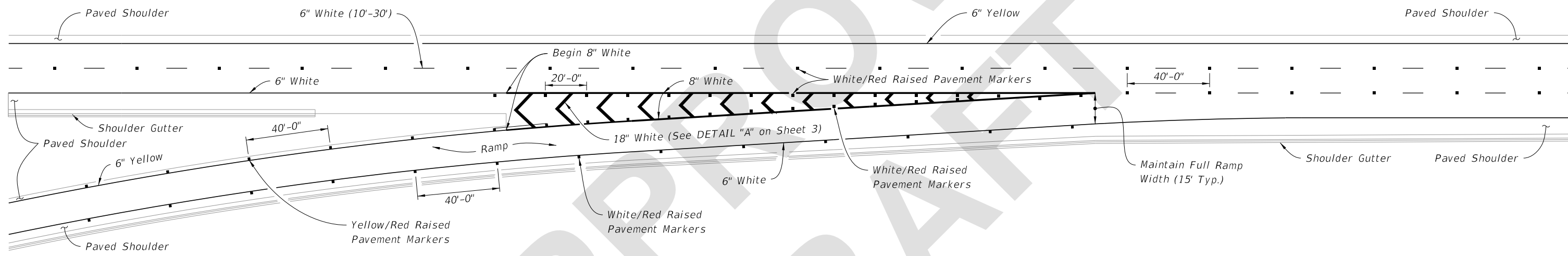
TYPICAL PAVEMENT MARKINGS AT ENTRANCE RAMPS

10/6/2022 2:41:44 PM

LAST REVISION 11/01/23	DESCRIPTION:	 FY 2023-24 STANDARD PLANS	INTERCHANGE MARKINGS	INDEX 711-003	SHEET 2 of 8
---------------------------	--------------	---	----------------------	------------------	-----------------



TAPER - TYPE ENTRANCE




PARALLEL - TYPE ENTRANCE

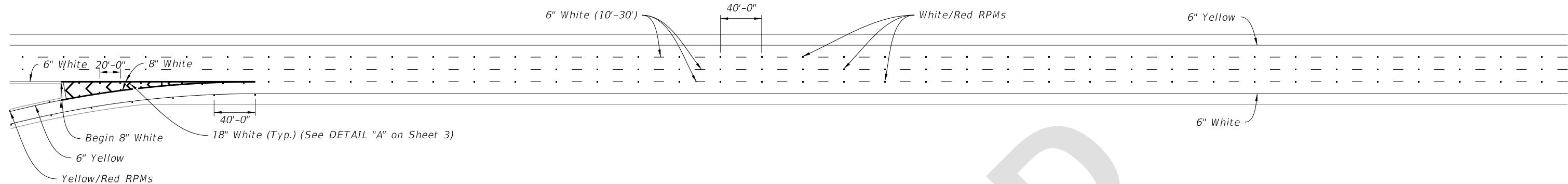
GENERAL NOTES:

1. Make the traffic face of the raised pavement marker (RPM) the same color as the pavement marking that it is supplementing.
2. See Index 706-001 for additional Raised Pavement Markers (RPM) requirements.

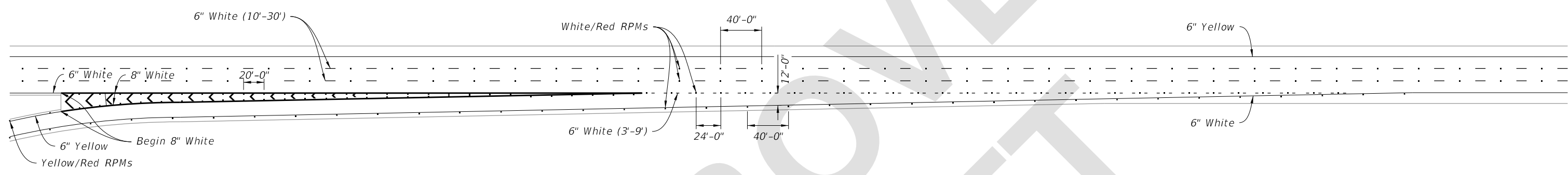
5/18/2023 4:29:14 PM

SINGLE LANE RAMPS - ENTRANCE TERMINALS

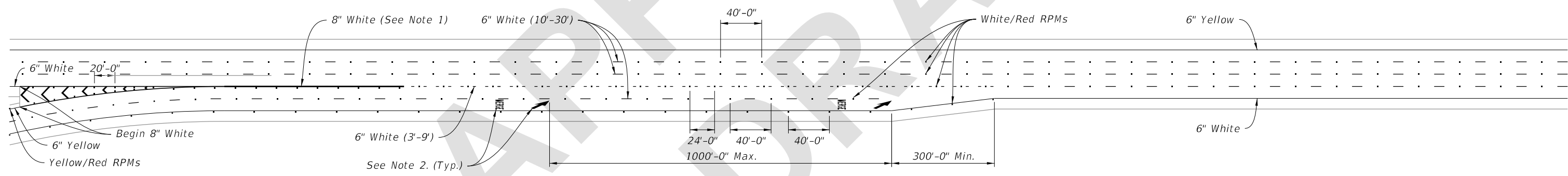
LAST REVISION 11/01/23	REVISION	DESCRIPTION:		FY 2024-25 STANDARD PLANS	INTERCHANGE MARKINGS	INDEX 711-003	SHEET 1 of 8
---------------------------	----------	--------------	--	------------------------------	----------------------	------------------	-----------------



PARALLEL-TYPE ENTRANCE WITH ADDED LANE



TAPER-TYPE ENTRANCE




TWO-LANE PARALLEL-TYPE ENTRANCE WITH ADDED LANE
(Single-Lane Parallel-Type Entrance Without Added Lane Similar, See Note 3)

NOTES:

1. Extend this 8" white Pavement Marker one-fourth the length of the acceleration lane from the gore markings.
2. See Index 711-001 for pavement message dimensions and details.
3. Discontinue the 6" White (3'-9") Dotted Interchange Line where the merging taper begins for a Single-Lane Parallel-Type Entrance Without Added Lane. Merge Pavement Message and Arrow only used for Two-Lane Entrances.

TYPICAL PAVEMENT MARKINGS AT ENTRANCE RAMPS

5/18/2023 4:29:01 PM

LAST REVISION 11/01/21	REVISION	DESCRIPTION:		FY 2024-25 STANDARD PLANS	INTERCHANGE MARKINGS	INDEX 711-003	SHEET 2 of 8
---------------------------	----------	--------------	--	------------------------------	----------------------	------------------	-----------------