
ORIGINATION FORM

Proposed Revisions to a Standard Plans Index
(Please provide all information — Incomplete forms will be returned)

Contact Information:

Date: July 5, 2023
Originator: Rick Jenkins
Phone: (850) 414-4355
Email: rick.jenkins@dot.state.fl.us

Standard Plans:

Index Number: 700-120
Sheet Number (s): All
Index Title: Enhanced Highway Signing Assemblies

Summary of the changes:

All Sheets: Renumber
Sheet 1: Added New Sheets to Table of Contents.
Sheet 3: New Sheet - Spread Footing Foundation.
Sheet 12: New Sheet - Roadside Sign Assembly-9.
Sheet 13: New Sheet - Roadside Sign Assembly-10.
Sheet 14: New Sheet - Roadside Sign Assembly-11.

Commentary / Background:

The districts have requested a spread footing foundation option be added.
Three new Railroad Highlighted sign assemblies are being added as a result of input from the Rail Safety Task Team.

Other Affected Offices / Documents: (Provide name of person contacted)

Yes	No	
<input checked="" type="checkbox"/>	<input type="checkbox"/>	Other Standard Plans – 646-001, 653-001, 654-001
<input type="checkbox"/>	<input checked="" type="checkbox"/>	FDOT Design Manual –
<input checked="" type="checkbox"/>	<input type="checkbox"/>	Basis of Estimates Manual – Ryan Gray
<input type="checkbox"/>	<input checked="" type="checkbox"/>	Standard Specifications –
<input type="checkbox"/>	<input checked="" type="checkbox"/>	Approved Product List –
<input type="checkbox"/>	<input type="checkbox"/>	Construction –
<input type="checkbox"/>	<input checked="" type="checkbox"/>	Maintenance –

Origination Package Includes:

(Email or hand deliver package to Rick Jenkins)

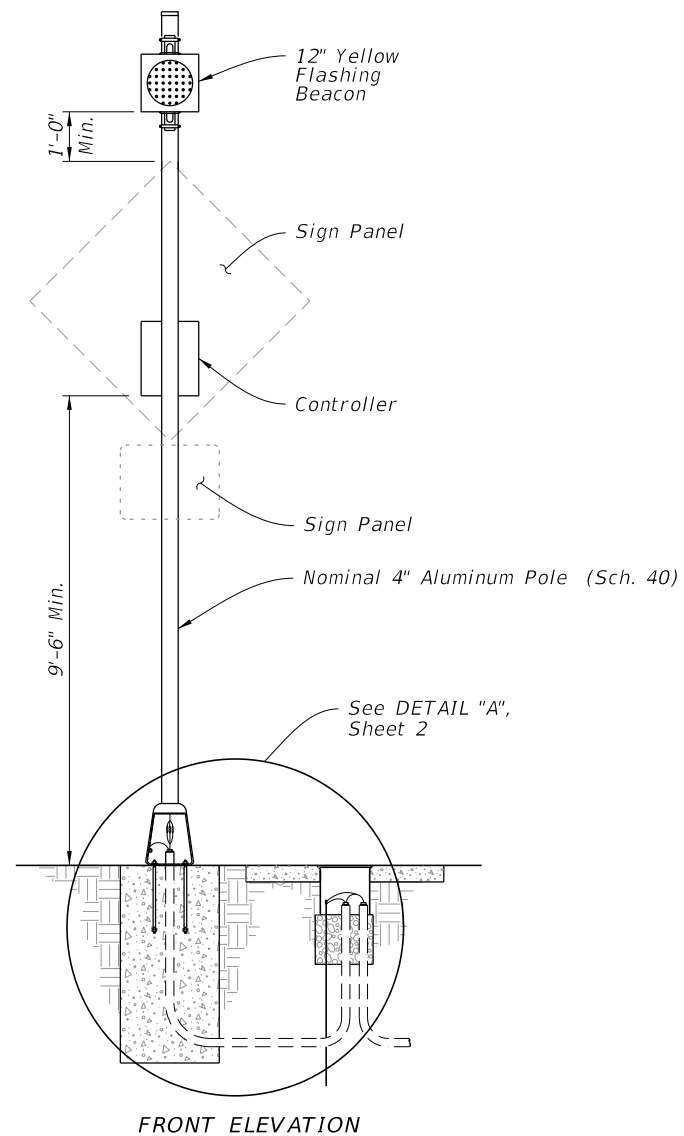
Yes	N/A	
<input checked="" type="checkbox"/>	<input type="checkbox"/>	Redline Mark-ups
<input type="checkbox"/>	<input type="checkbox"/>	Proposed Standard Plan Instruction (SPI)
<input type="checkbox"/>	<input type="checkbox"/>	Revised SPI
<input type="checkbox"/>	<input type="checkbox"/>	Other Support Documents

Implementation:

<input type="checkbox"/>	Design Bulletin (Interim)
<input type="checkbox"/>	DCE Memo
<input type="checkbox"/>	Program Mgmt. Bulletin
<input checked="" type="checkbox"/>	FY-Standard Plans (Next Release)

Contact the Roadway Design Office for assistance in completing this form

Email to: Rick Jenkins rick.jenkins@dot.state.fl.us and Darren Martin darren.martin@dot.state.fl.us

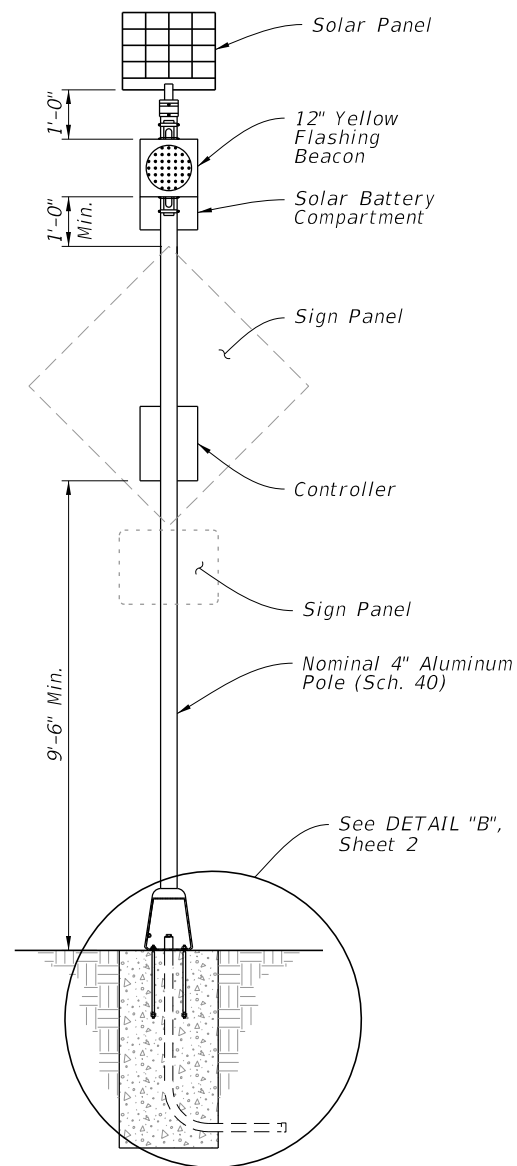


FRONT ELEVATION

POWER CONFIGURATION 'A'
CONVENTIONALLY POWERED
(Type A1 Shown)

GENERAL NOTES:

1. Meet the requirements of Specifications 646 and 700.
2. Engage all threads on the transformer base and post unless the aluminum post is fully seated into base.
3. Install a concrete slab around all roadside assemblies on slopes 6:1 or greater. The minimum slab dimension is 6" by 4'-0" by 5'-0".
4. When wire entry holes are drilled in the sign column, use a bushing or rubber grommet to protect conductors.



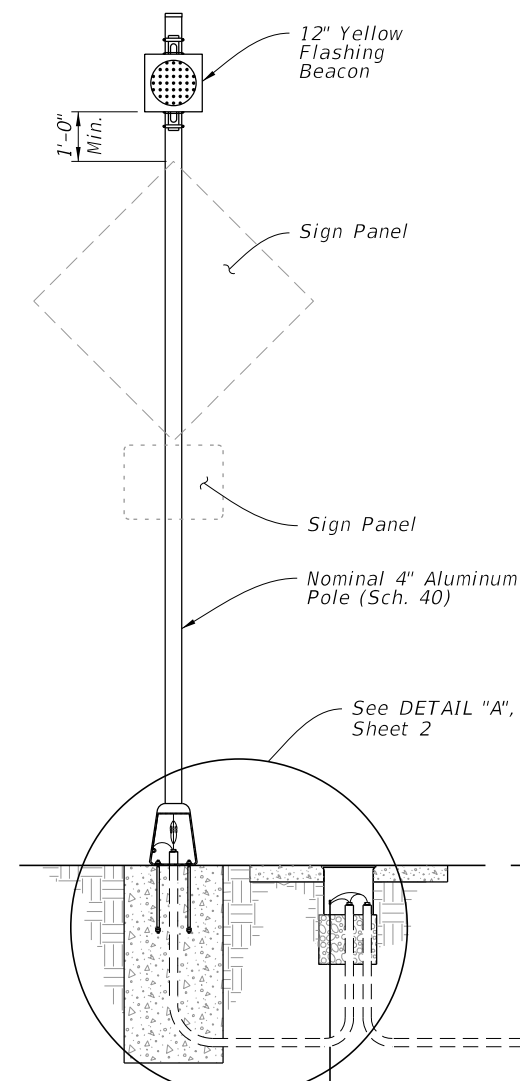
FRONT ELEVATION

WITHOUT AUXILIARY POLE

POWER CONFIGURATION 'B'
SOLAR POWERED
(Type B1 Shown)

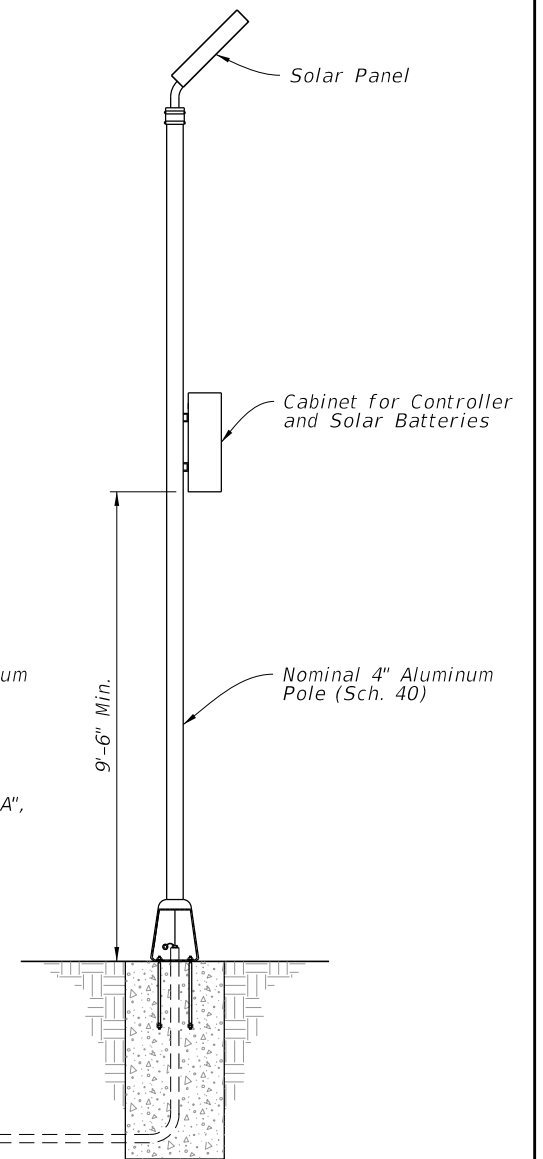
POWER CONFIGURATION 'B' NOTES:

1. Install a separate pole for mounting the solar panel, controller and batteries for all roadside assemblies with solar panels, controllers and batteries weighing more than 170 lbs.
2. Install the auxiliary pole as close to the right of way boundary as possible.
3. Install the auxiliary pole so that the height is the same as the column for the roadside assembly.
4. Orient solar panel to face South for optimal exposure to sunlight.
5. The controller and the solar batteries may be located in the same compartment.



SIGN ASSEMBLY
FRONT ELEVATION

WITH AUXILIARY POLE



AUXILIARY POLE
ELEVATION

TABLE OF CONTENTS:	
Sheet	Description
1	General Notes and Contents
2	Conduit, Wiring, and Foundation Details
3	Roadside Sign Assembly-1
4	Roadside Sign Assembly-2
5	Roadside Sign Assembly-3
6	Roadside Sign Assembly-4
7	Roadside Sign Assembly-5
8	Roadside Sign Assembly-6
9	Roadside Sign Assembly-7
10	Roadside Sign Assembly-8
11	Overhead Sign Assembly

ADDED NEW SHEETS

10/7/2022 2:48:47 PM

LAST REVISION	DESCRIPTION:
11/01/22	11/01/23



FY 2023-24
STANDARD PLANS

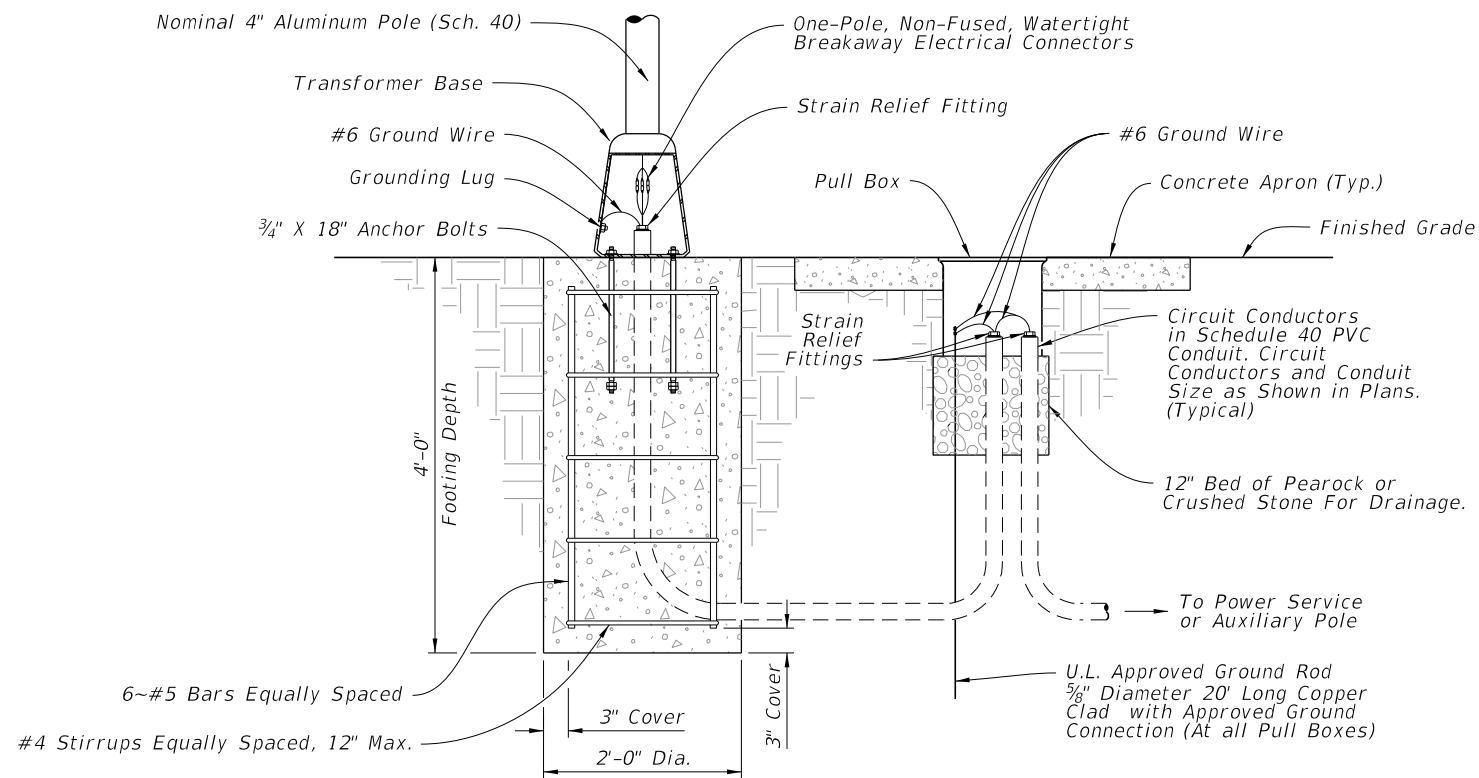
ENHANCED HIGHWAY SIGNING ASSEMBLIES

CHANGED TO: 1 of 15

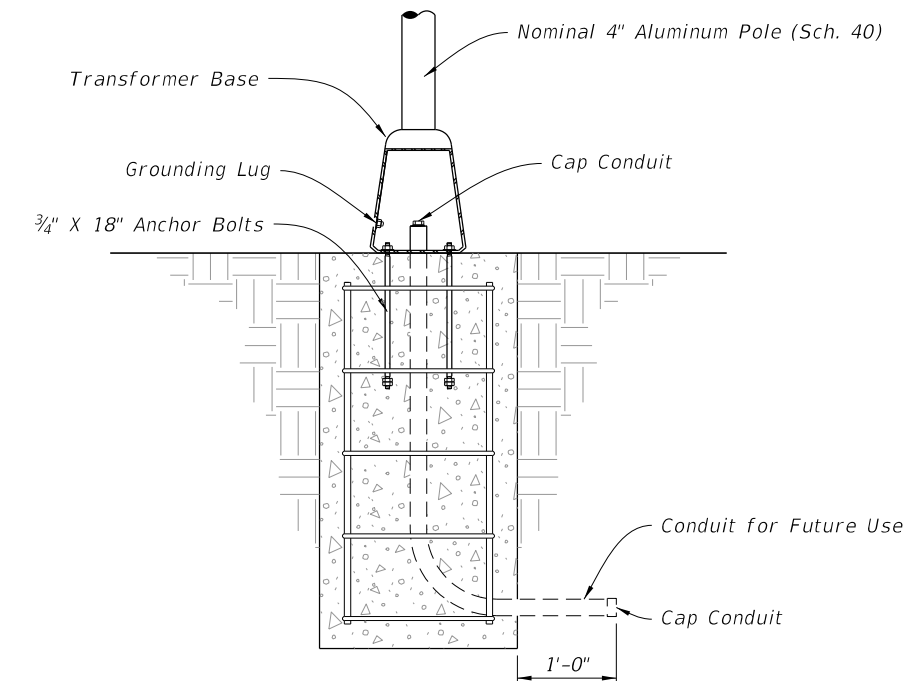
INDEX
700-120

SHEET
1 of 11

10/7/2022 2:48:49 PM




DETAIL "A"



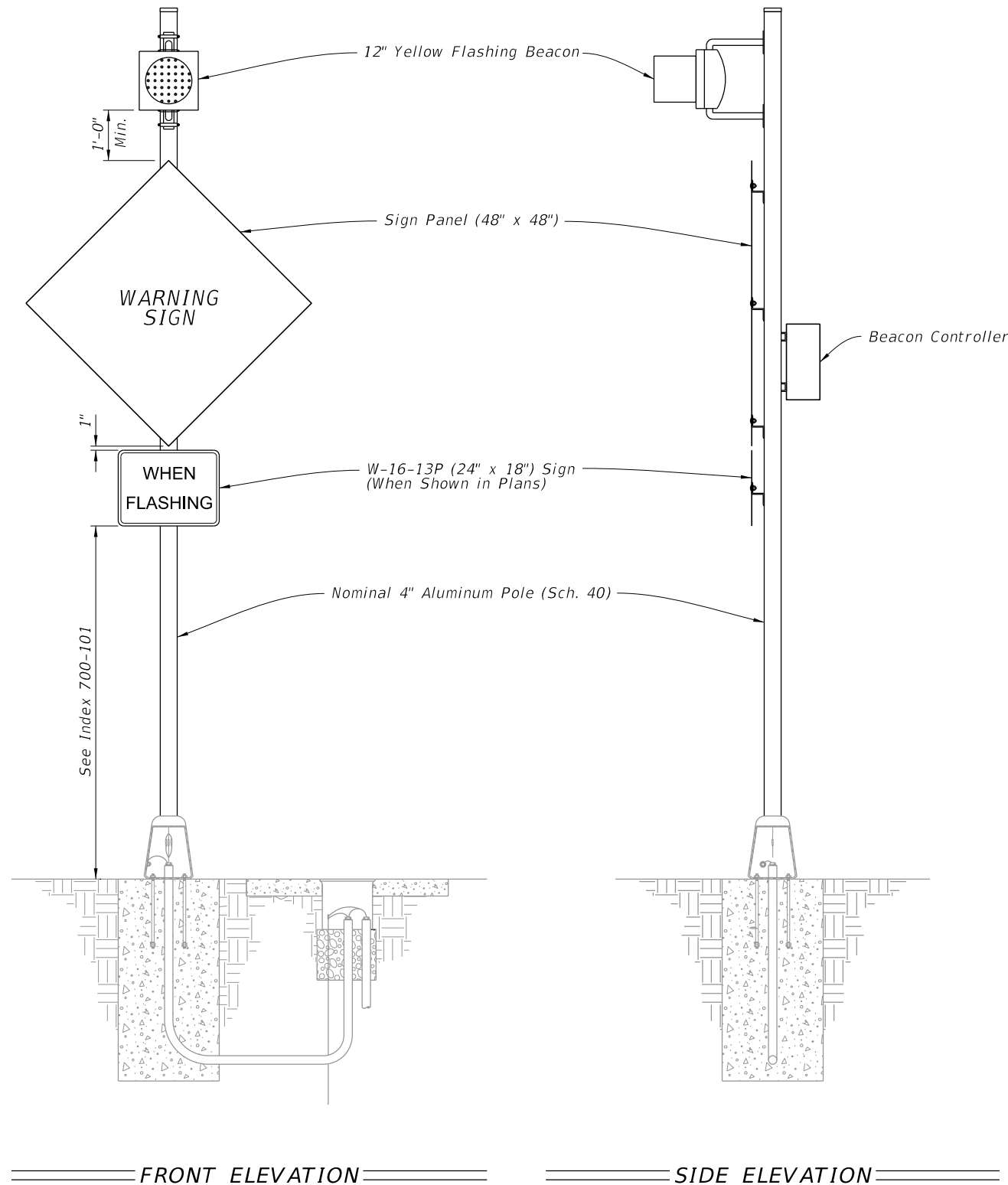
DETAIL "B"

CHANGED TO: 2 of 15

CONDUIT, WIRING, AND FOUNDATION DETAILS

<p>LAST REVISION 11/01/21</p>	<p>DESCRIPTION: 11/01/23</p>	 <p>FY 2023-24 STANDARD PLANS</p>	<p>ENHANCED HIGHWAY SIGNING ASSEMBLIES</p>	<p>INDEX 700-120</p>	<p>SHEET 2 of 11</p>
-----------------------------------	----------------------------------	--	--	--------------------------	--------------------------

NEW SHEET 3




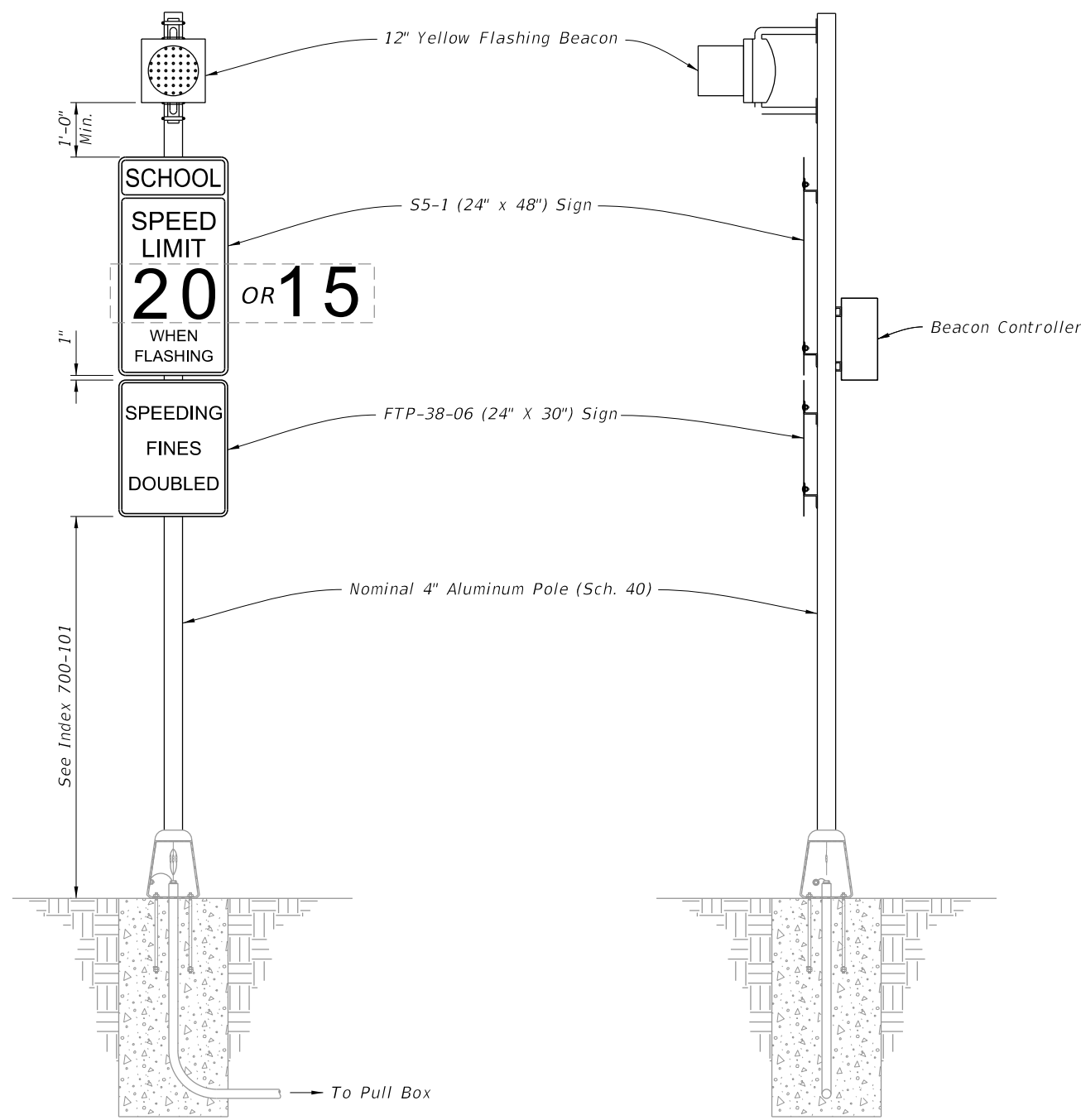
- NOTES:**
1. Type A1 Assembly (conventionally powered) is shown. Type B1 Assemblies (solar powered) similar.
 2. Foundation reinforcement not shown.

CHANGED TO: 4 of 15

ROADSIDE SIGN ASSEMBLY-1

10/7/2022 2:48:51 PM

LAST REVISION 11/01/21	REVISION 11/01/23	DESCRIPTION:	 FY 2023-24 STANDARD PLANS	ENHANCED HIGHWAY SIGNING ASSEMBLIES	INDEX 700-120	SHEET 3 of 11
---------------------------	----------------------	--------------	---	-------------------------------------	------------------	------------------



FRONT ELEVATION


SIDE ELEVATION

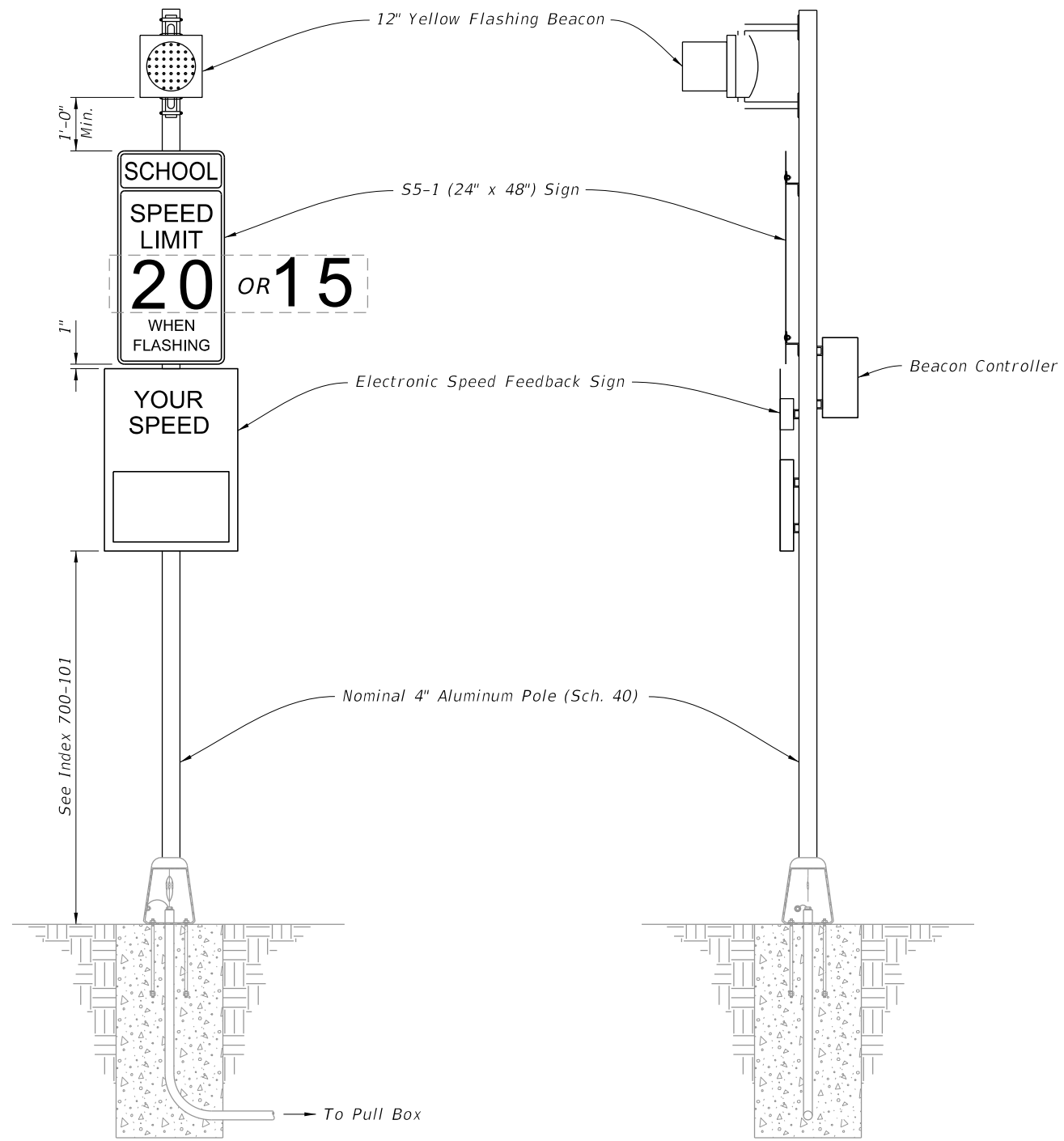
- NOTES:**
1. Type A2 Assembly (conventionally powered) is shown. Type B2 Assemblies (solar powered) similar.
 2. Foundation reinforcement not shown.

CHANGED TO: 5 of 15

ROADSIDE SIGN ASSEMBLY-2

10/7/2022 2:48:53 PM

LAST REVISION 11/01/21	REVISION 11/01/23	DESCRIPTION: 11/01/23	 FY 2023-24 STANDARD PLANS	ENHANCED HIGHWAY SIGNING ASSEMBLIES	INDEX 700-120	SHEET 4 of 11
---------------------------	----------------------	--------------------------	--	-------------------------------------	------------------	------------------



FRONT ELEVATION


SIDE ELEVATION

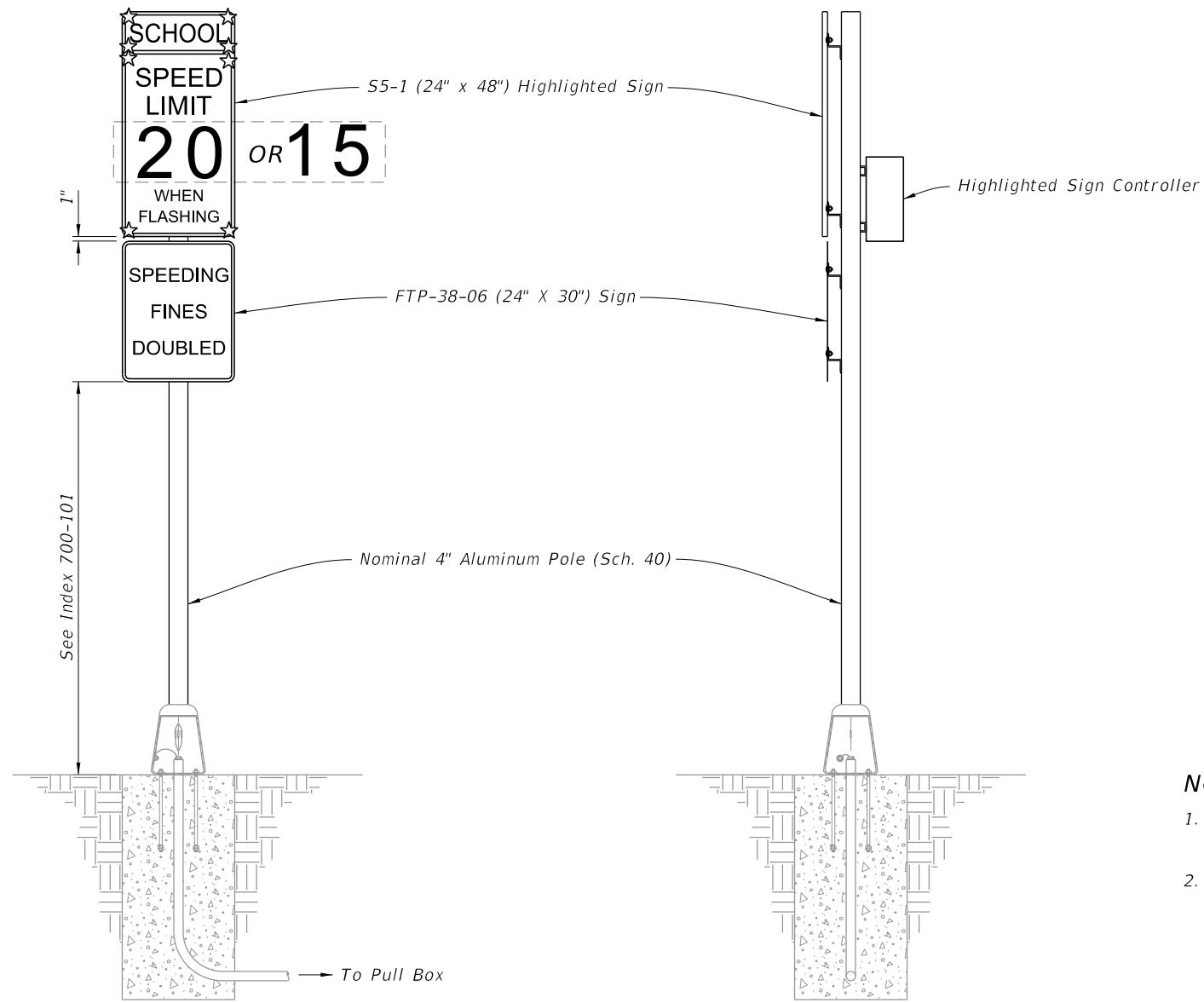
- NOTES:**
1. Type A3 Assembly (conventionally powered) is shown. Type B3 Assemblies (solar powered) similar.
 2. Use electronic speed feedback sign with 15" high numerals for posted speed of 45 mph or less, and 18" high numerals for posted speeds greater than 45 mph.
 3. Foundation reinforcement not shown.

CHANGED TO: 6 of 15

ROADSIDE SIGN ASSEMBLY-3

10/7/2022 2:48:55 PM

LAST REVISION 11/01/21	DESCRIPTION: 11/01/23	 FY 2023-24 STANDARD PLANS	ENHANCED HIGHWAY SIGNING ASSEMBLIES	INDEX 700-120	SHEET 5 of 11
--------------------------------------	--------------------------	---	-------------------------------------	------------------	-----------------------------



FRONT ELEVATION

SIDE ELEVATION


NOTES:

- 1. Type A4 Assembly (conventionally powered) is shown. Type B4 Assemblies (solar powered) similar.
- 2. Foundation reinforcement not shown.

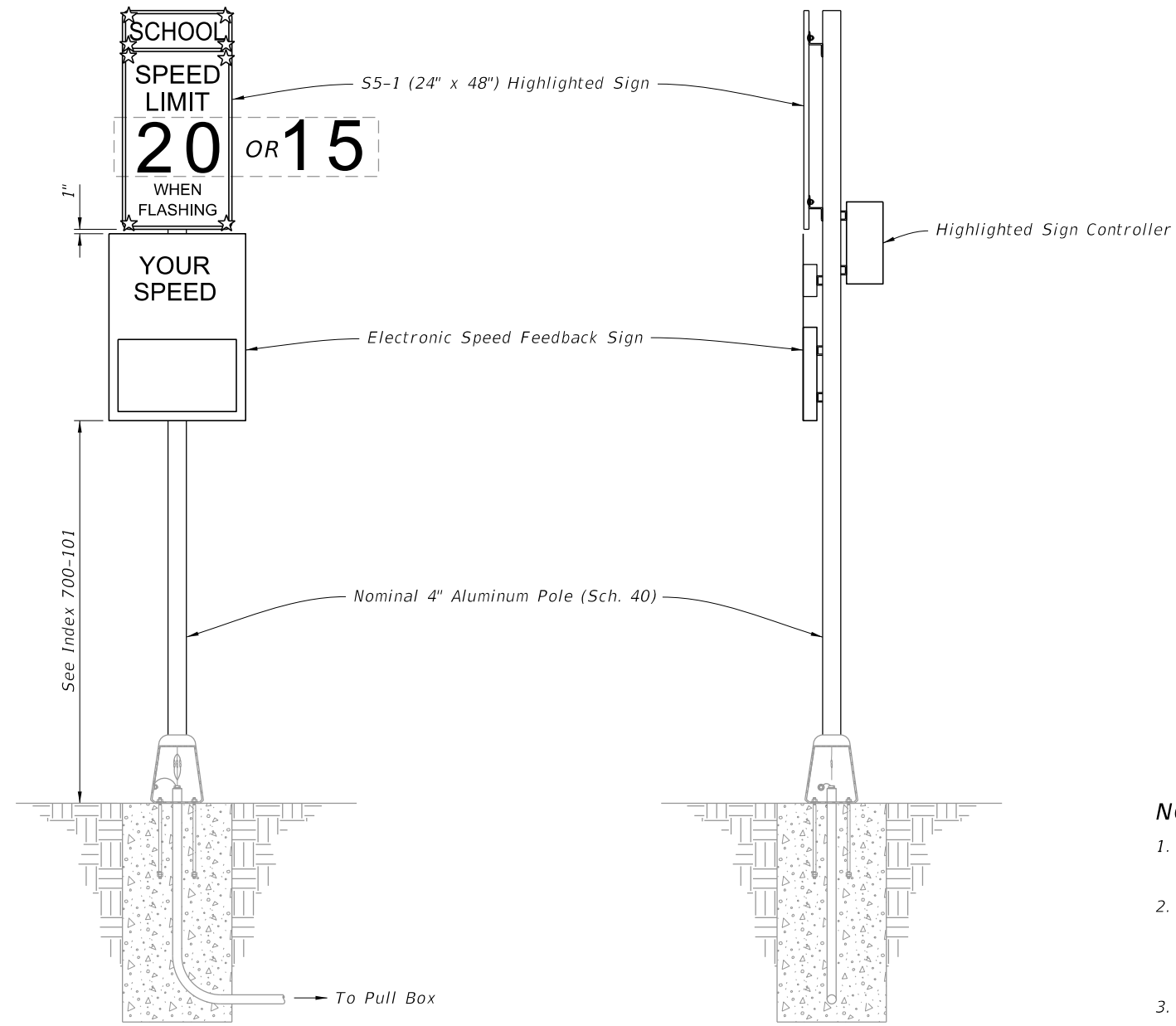
CHANGED TO: 7 of 15

ROADSIDE SIGN ASSEMBLY-4

10/7/2022 2:48:56 PM

LAST REVISION 11/01/21	REVISION 11/01/23	DESCRIPTION: 11/01/23	 FY 2023-24 STANDARD PLANS	ENHANCED HIGHWAY SIGNING ASSEMBLIES	INDEX 700-120	SHEET 6 of 11
---------------------------	----------------------	--------------------------	---	-------------------------------------	------------------	------------------

10/7/2022 2:49:00 PM



FRONT ELEVATION


SIDE ELEVATION

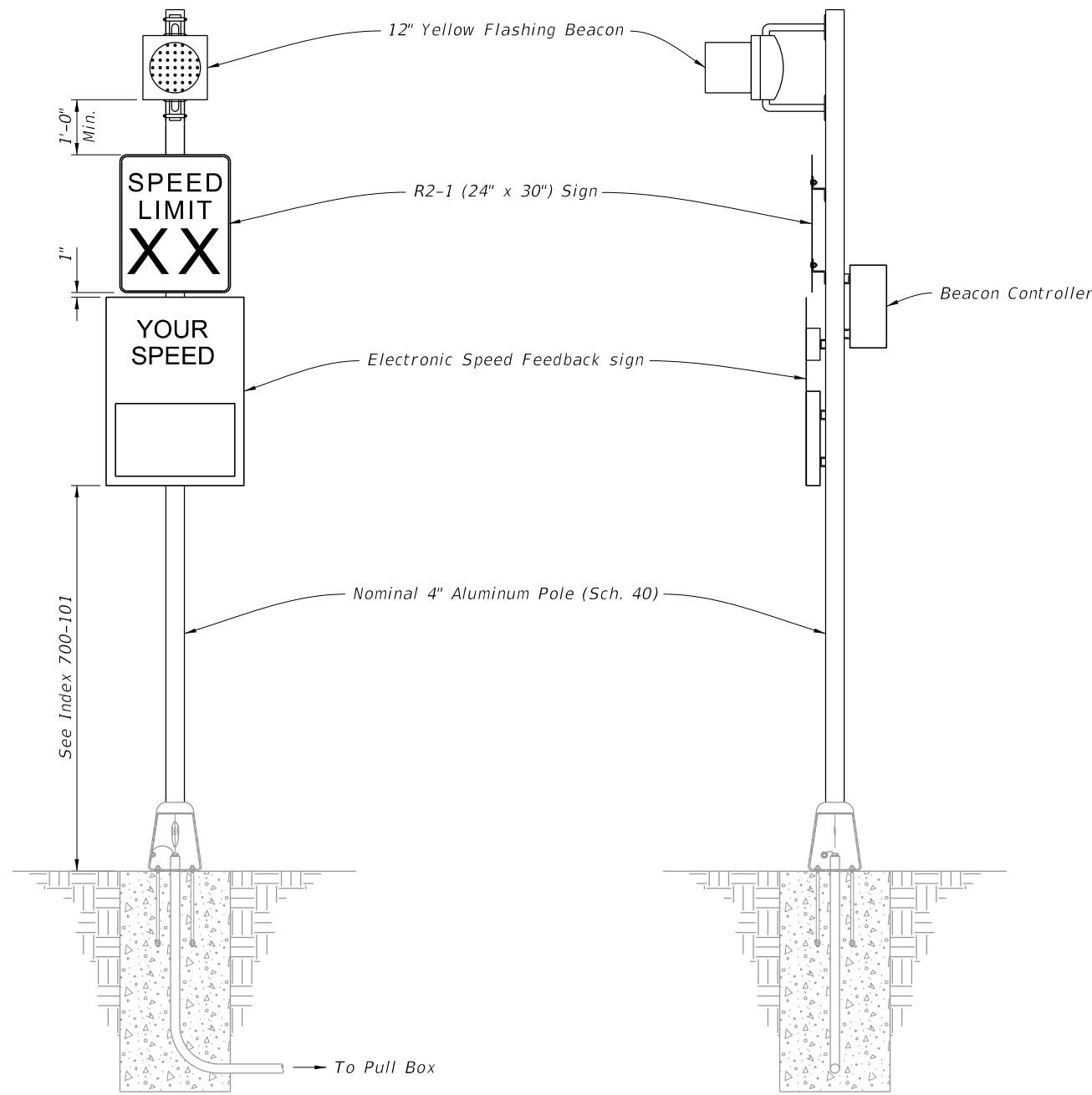
NOTES:

- 1. Type A5 Assembly (conventionally powered) is shown. Type B5 Assemblies (solar powered) similar.
- 2. Use electronic speed feedback sign with 15" high numerals for posted speed of 45 mph or less, and 18" high numerals for posted speeds greater than 45 mph.
- 3. Foundation reinforcement not shown.

CHANGED TO: 8 of 15

ROADSIDE SIGN ASSEMBLY-5

LAST REVISION 11/01/21	DESCRIPTION: 11/01/23	 FY 2023-24 STANDARD PLANS	ENHANCED HIGHWAY SIGNING ASSEMBLIES	INDEX 700-120	SHEET 7 of 11
--------------------------------------	--------------------------	---	-------------------------------------	------------------	-----------------------------



FRONT ELEVATION

SIDE ELEVATION


NOTES:

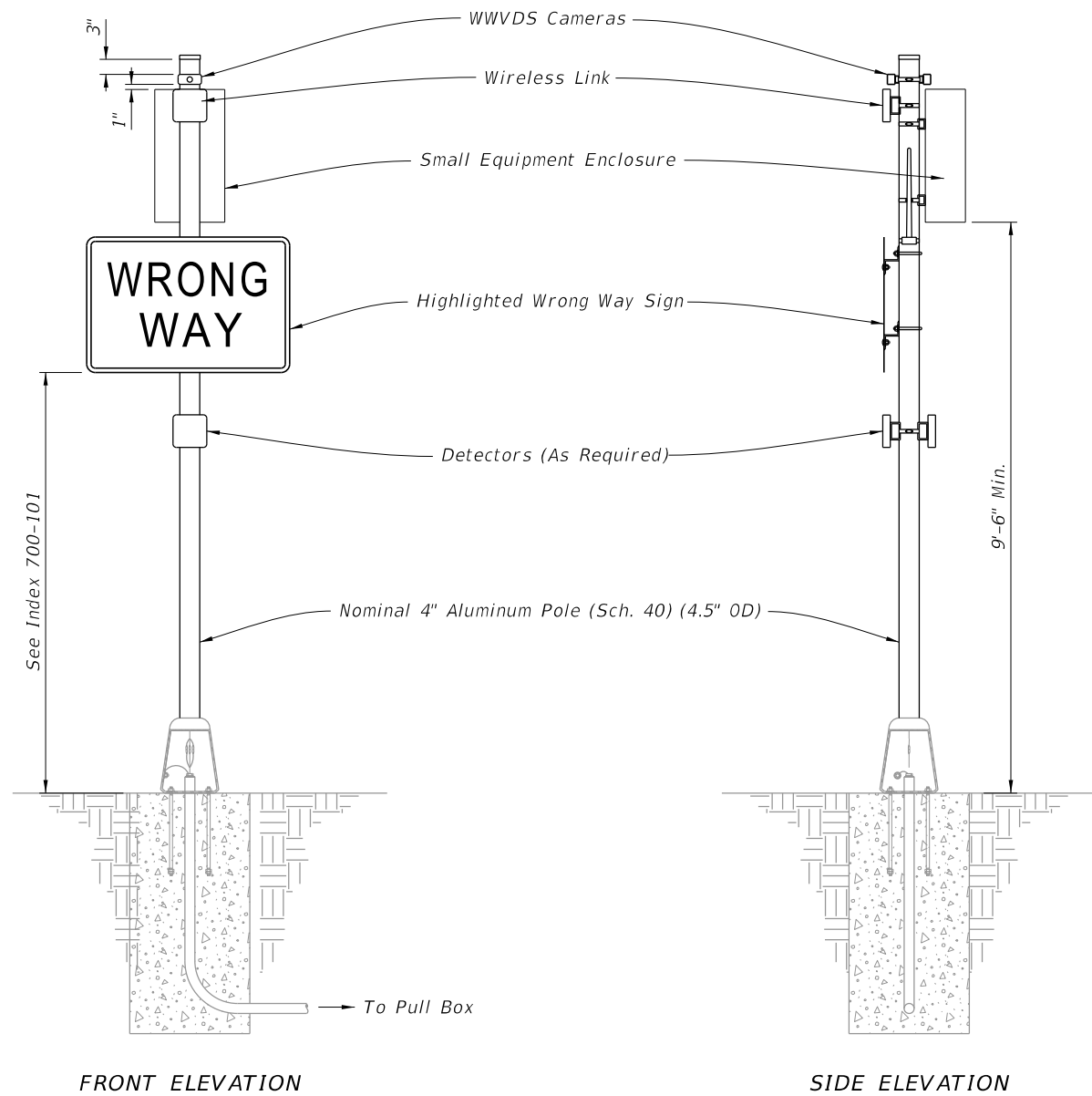
1. Type A6 Assembly (conventionally powered) is shown. Type B6 Assemblies (solar powered) similar.
2. Use electronic speed feedback sign with 15" high numerals for posted speed of 45 mph or less, and 18" high numerals for posted speeds greater than 45 mph.
3. Foundation reinforcement not shown.

CHANGED TO: 9 of 15

ROADSIDE SIGN ASSEMBLY-6

10/7/2022 2:49:02 PM

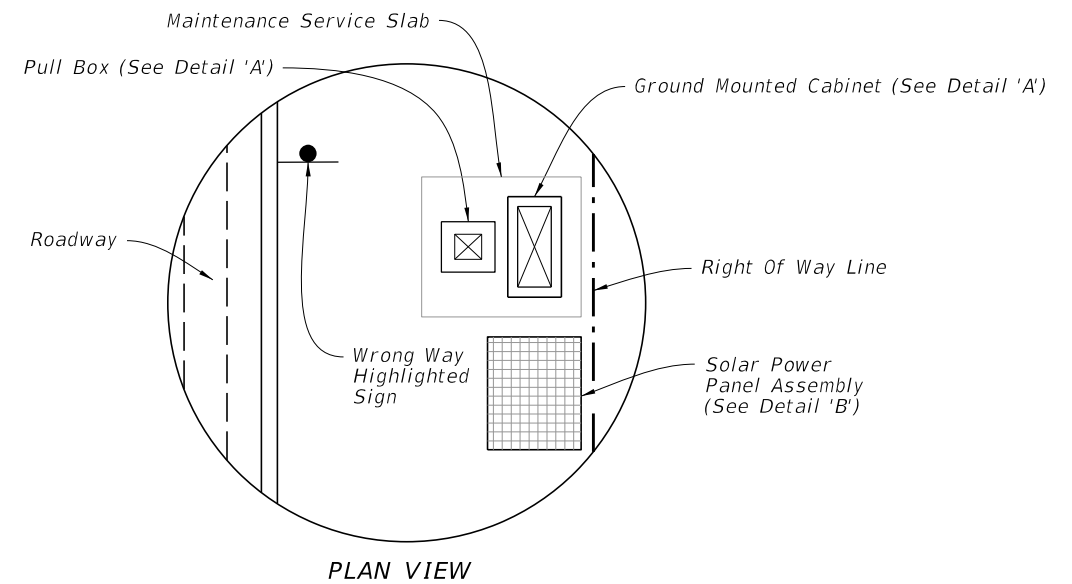
LAST REVISION 11/01/21	REVISION 11/01/23	DESCRIPTION: 11/01/23	 FY 2023-24 STANDARD PLANS	ENHANCED HIGHWAY SIGNING ASSEMBLIES	INDEX 700-120	SHEET 8 of 11
---------------------------	----------------------	--------------------------	--	-------------------------------------	------------------	------------------



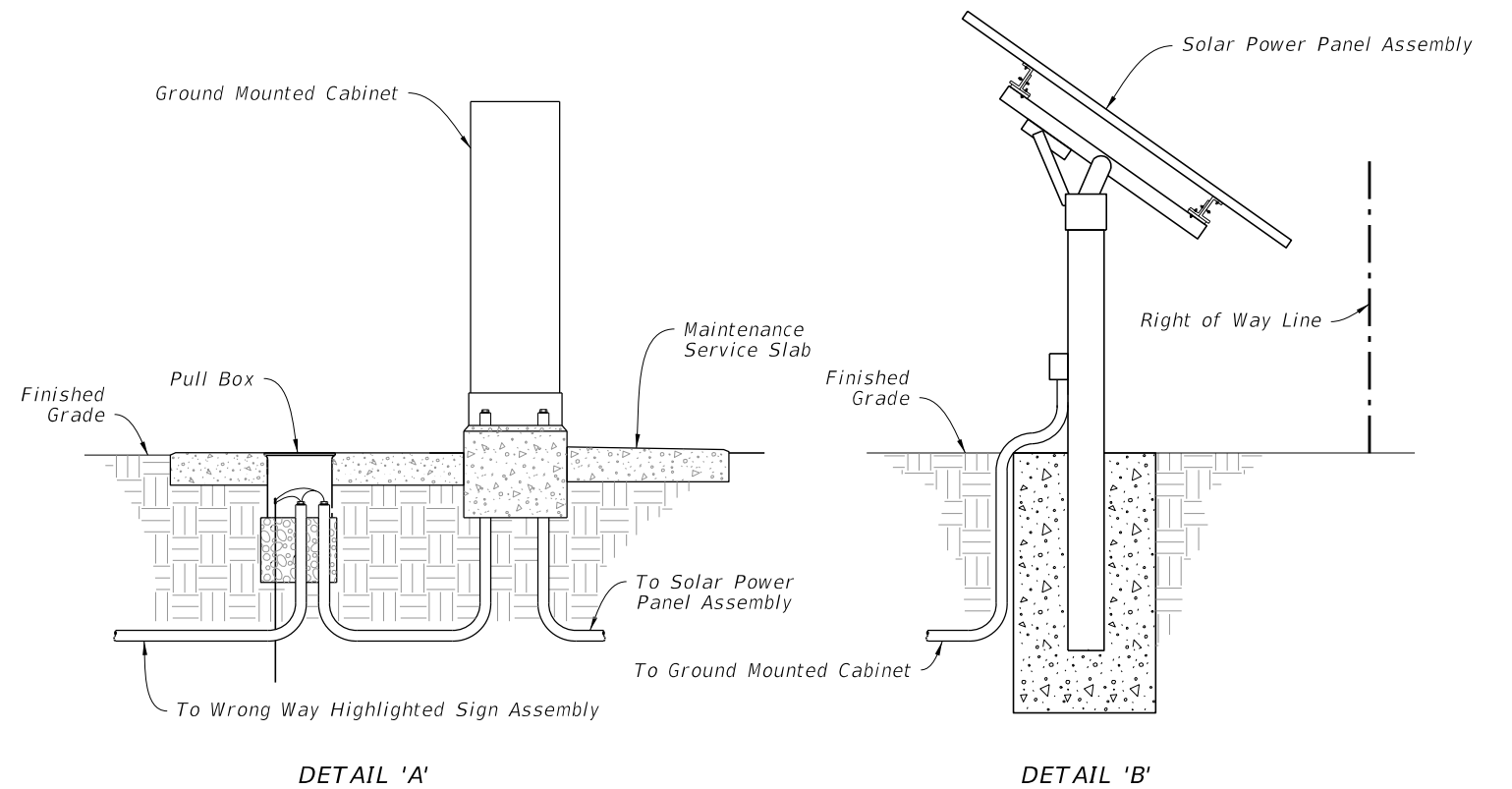
FRONT ELEVATION

SIDE ELEVATION

WRONG WAY HIGHLIGHTED SIGN ASSEMBLY



PLAN VIEW



DETAIL 'A'

DETAIL 'B'

SOLAR POWER ASSEMBLY

NOTES:

1. Install Wrong Way Vehicle Detection System (WWVDS) devices including cameras, detectors, wireless links, antennas, enclosures, and electronics in accordance with the manufacturer's instructions.
2. When a solar powered configuration (Type B7) is called for in the Plans, install a ground mounted cabinet and solar power panel assembly. Install the solar charge controller and batteries in the same ground mounted cabinet. Provide a separate pole for mounting the solar panel (DETAIL 'B' shown for illustration purposes only) and install in accordance with manufacturer's instructions. Locate the Solar Power Assembly as close to the right of way as possible. Orient the solar panel to face South.
3. Foundation reinforcement not shown.
4. Install cabinets in accordance with Index 676-010.

CHANGED TO: 10 of 15

ROADSIDE SIGN ASSEMBLY-7

10/7/2022 2:49:06 PM

LAST REVISION	DESCRIPTION:
11/01/22	11/01/23



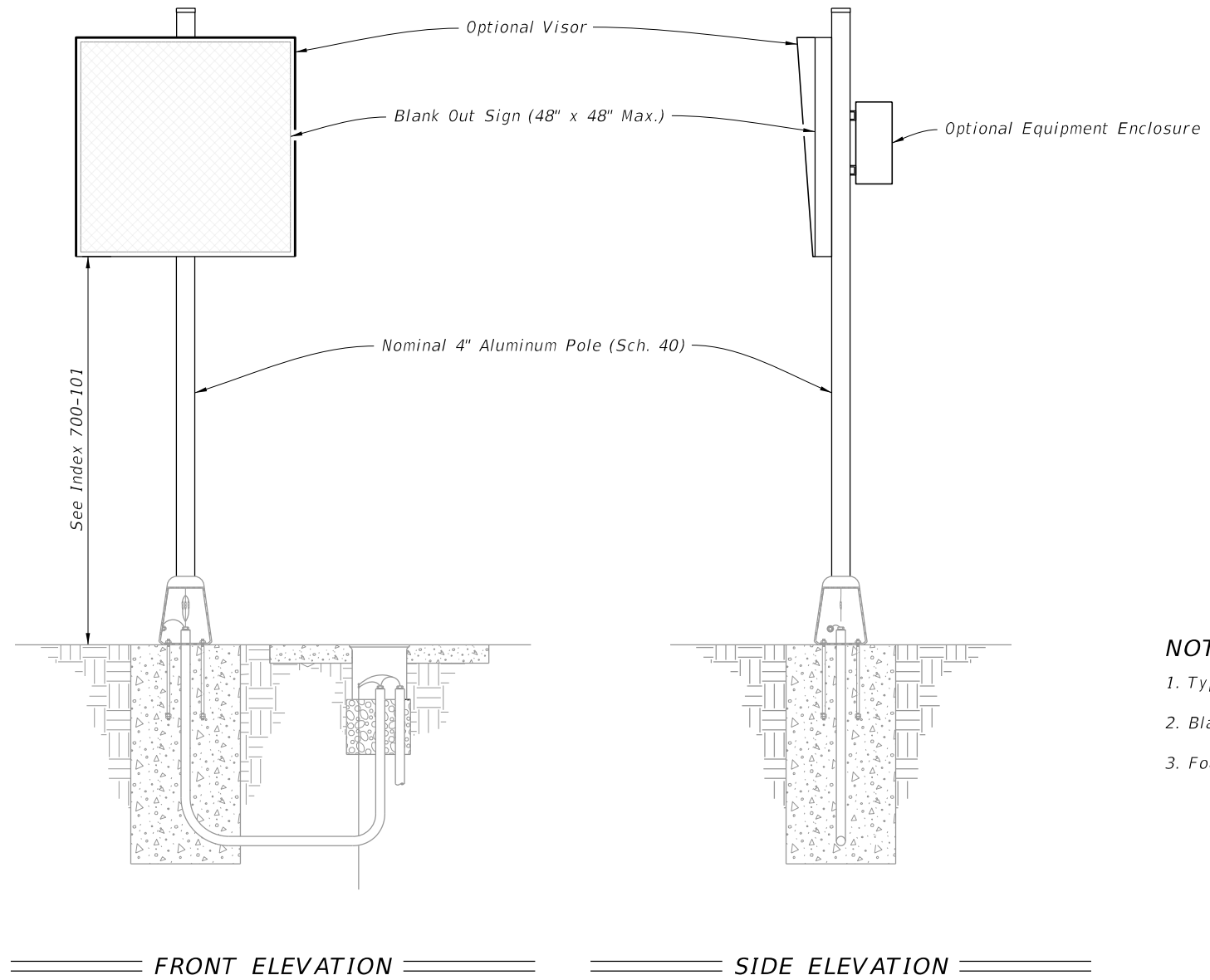
FY 2023-24
STANDARD PLANS

ENHANCED HIGHWAY SIGNING ASSEMBLIES

INDEX
700-120

SHEET
9 of 11

10/7/2022 2:49:08 PM




NOTES:

- 1. Type A1 Assembly (conventionally powered) is shown.
- 2. Blank Out Sign visors are optional.
- 3. Foundation reinforcement not shown.

CHANGED TO: 11 of 15

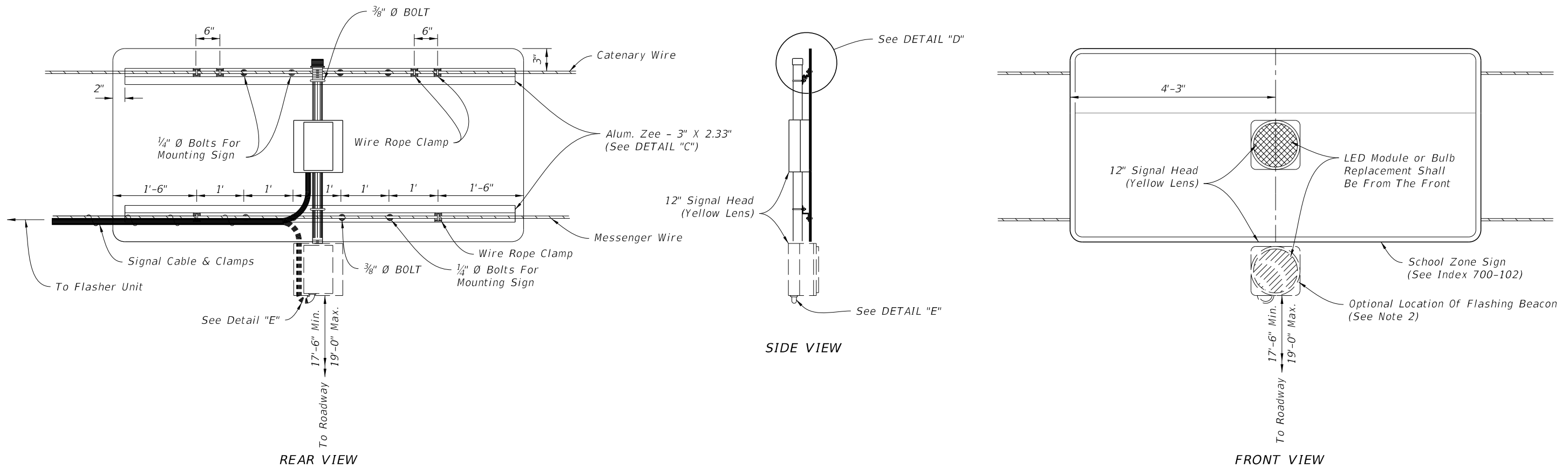
ROADSIDE SIGN ASSEMBLY-8

LAST REVISION 11/01/21	DESCRIPTION: 11/01/23	 FY 2023-24 STANDARD PLANS	ENHANCED HIGHWAY SIGNING ASSEMBLIES	INDEX 700-120	SHEET 10 of 11
--------------------------------------	--------------------------	--	-------------------------------------	------------------	------------------------------

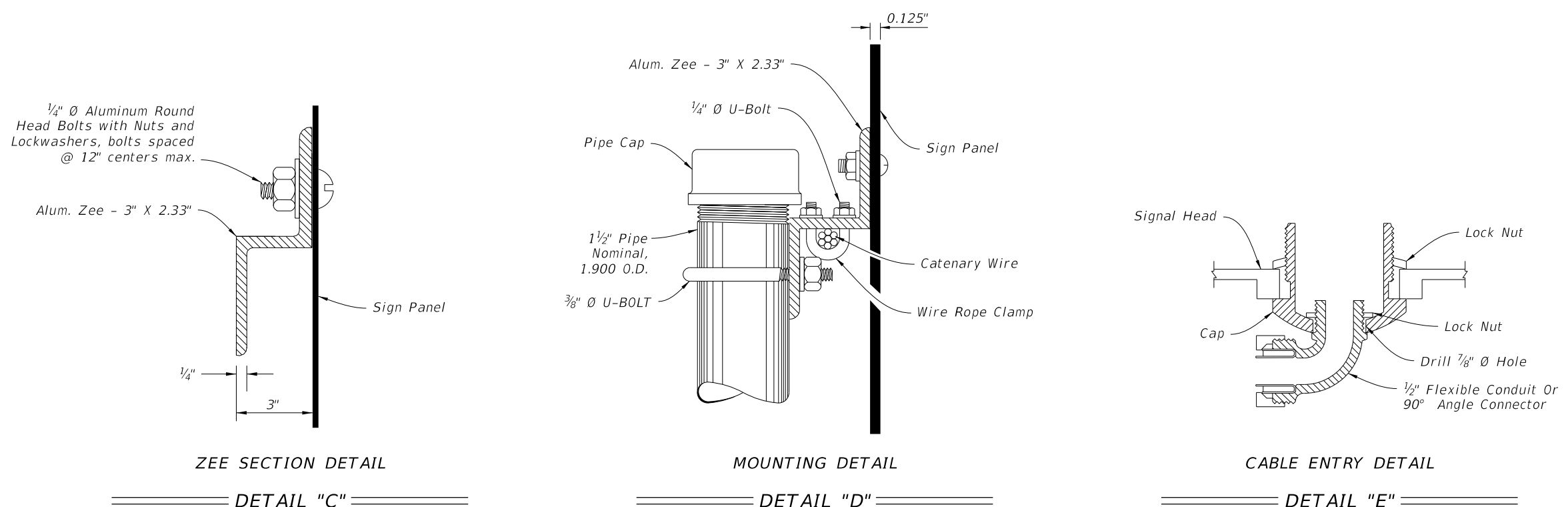
NEW SHEET 12

NEW SHEET 13

NEW SHEET 14



OVERHEAD SCHOOL SIGN ASSEMBLY



NOTES:

1. Flasher unit and cabinet to be placed on the strain pole supporting overhead sign assembly or on service pole. The flasher unit not to overhang private property or sidewalk.
2. Optional flashing beacon will be called for in the Plans. They may be placed within or below the panel, or face to the rear.

CHANGED TO: 15 of 15
OVERHEAD SIGN ASSEMBLY

10/7/2022 2:49:10 PM

LAST REVISION 11/01/21	REVISION 11/01/23	DESCRIPTION: 11/01/23		FY 2023-24 STANDARD PLANS	ENHANCED HIGHWAY SIGNING ASSEMBLIES	INDEX 700-120	SHEET 11 of 11
---------------------------	----------------------	--------------------------	--	------------------------------	-------------------------------------	------------------	-------------------

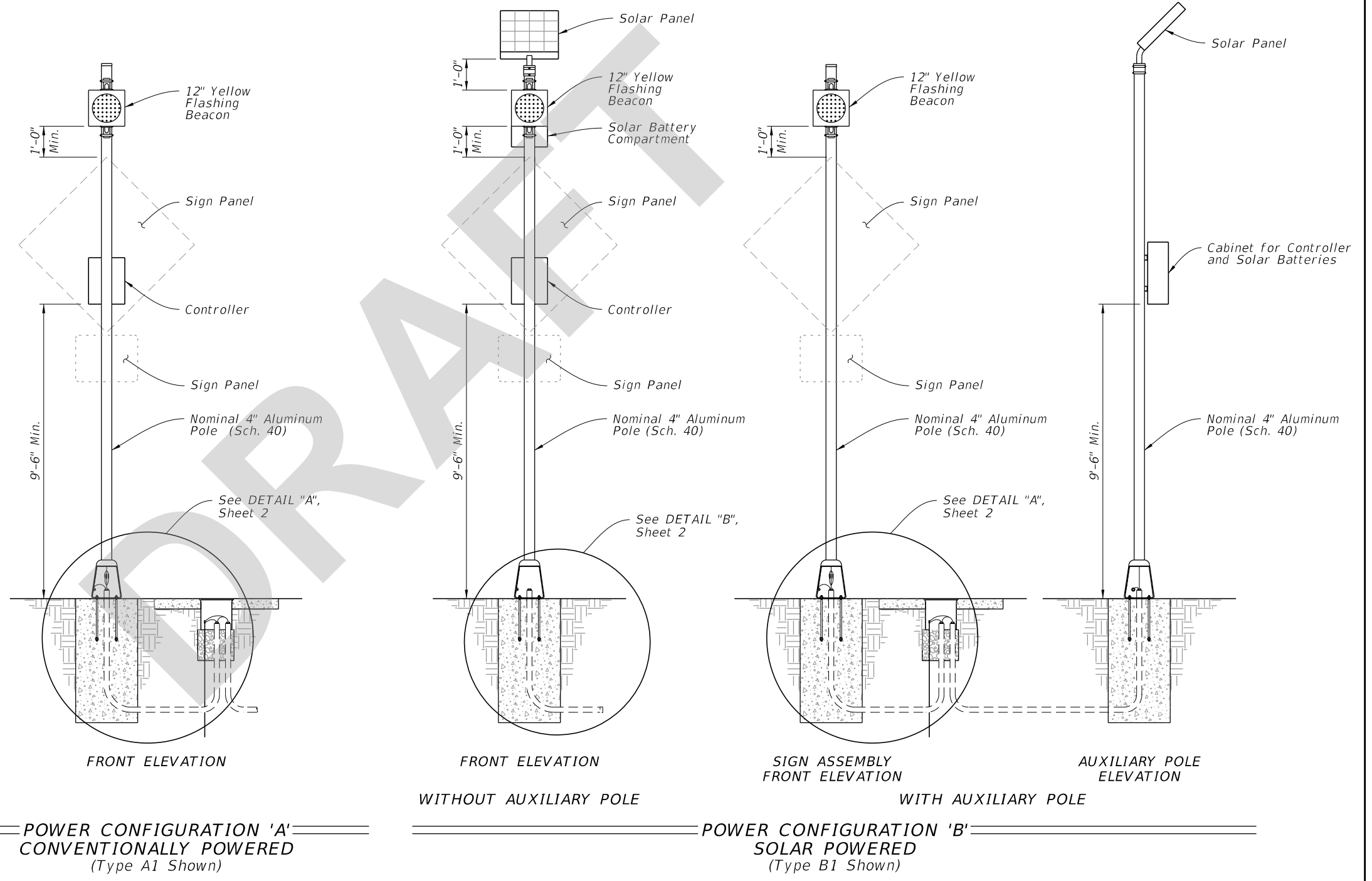
TABLE OF CONTENTS:	
Sheet	Description
1	General Notes and Contents
2	Conduit, Wiring, and Foundation Details
3	Spread Footing Foundation
4	Roadside Sign Assembly-1
5	Roadside Sign Assembly-2
6	Roadside Sign Assembly-3
7	Roadside Sign Assembly-4
8	Roadside Sign Assembly-5
9	Roadside Sign Assembly-6
10	Roadside Sign Assembly-7
11	Roadside Sign Assembly-8
12	Roadside Sign Assembly-9
13	Roadside Sign Assembly-10
14	Roadside Sign Assembly-11
15	Overhead Sign Assembly

GENERAL NOTES:

1. Meet the requirements of Specifications 646 and 700.
2. Engage all threads on the transformer base and post unless the aluminum post is fully seated into base.
3. Install a concrete slab around all roadside assemblies on slopes 6:1 or greater. The minimum slab dimension is 6" by 4'-0" by 5'-0".
4. When wire entry holes are drilled in the sign column, use a bushing or rubber grommet to protect conductors.

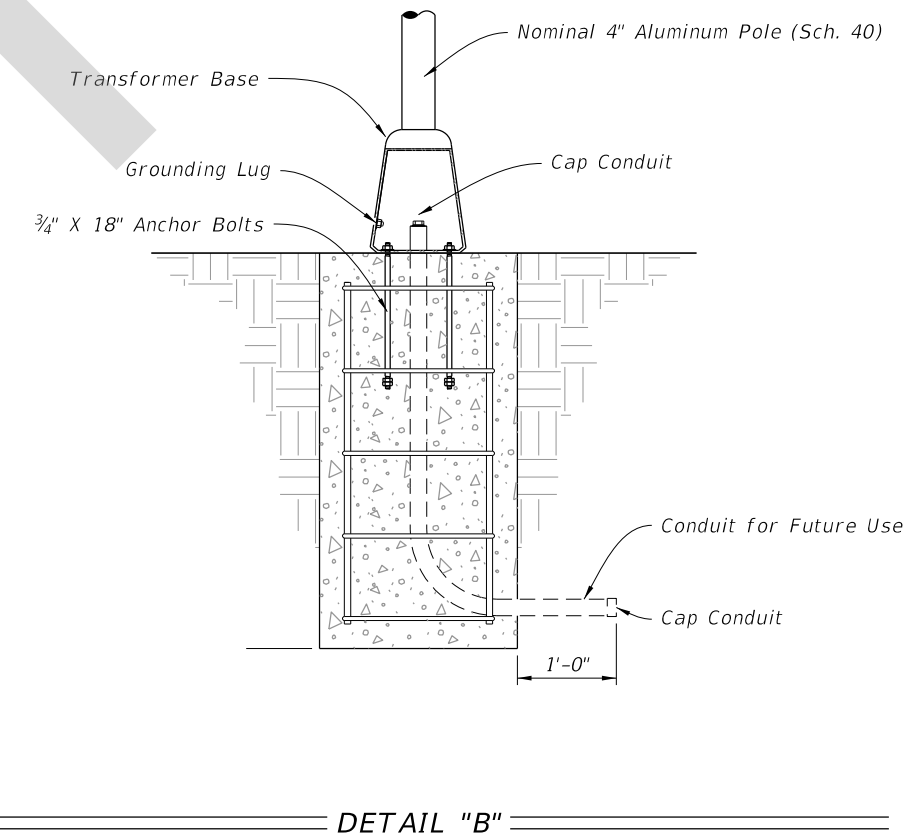
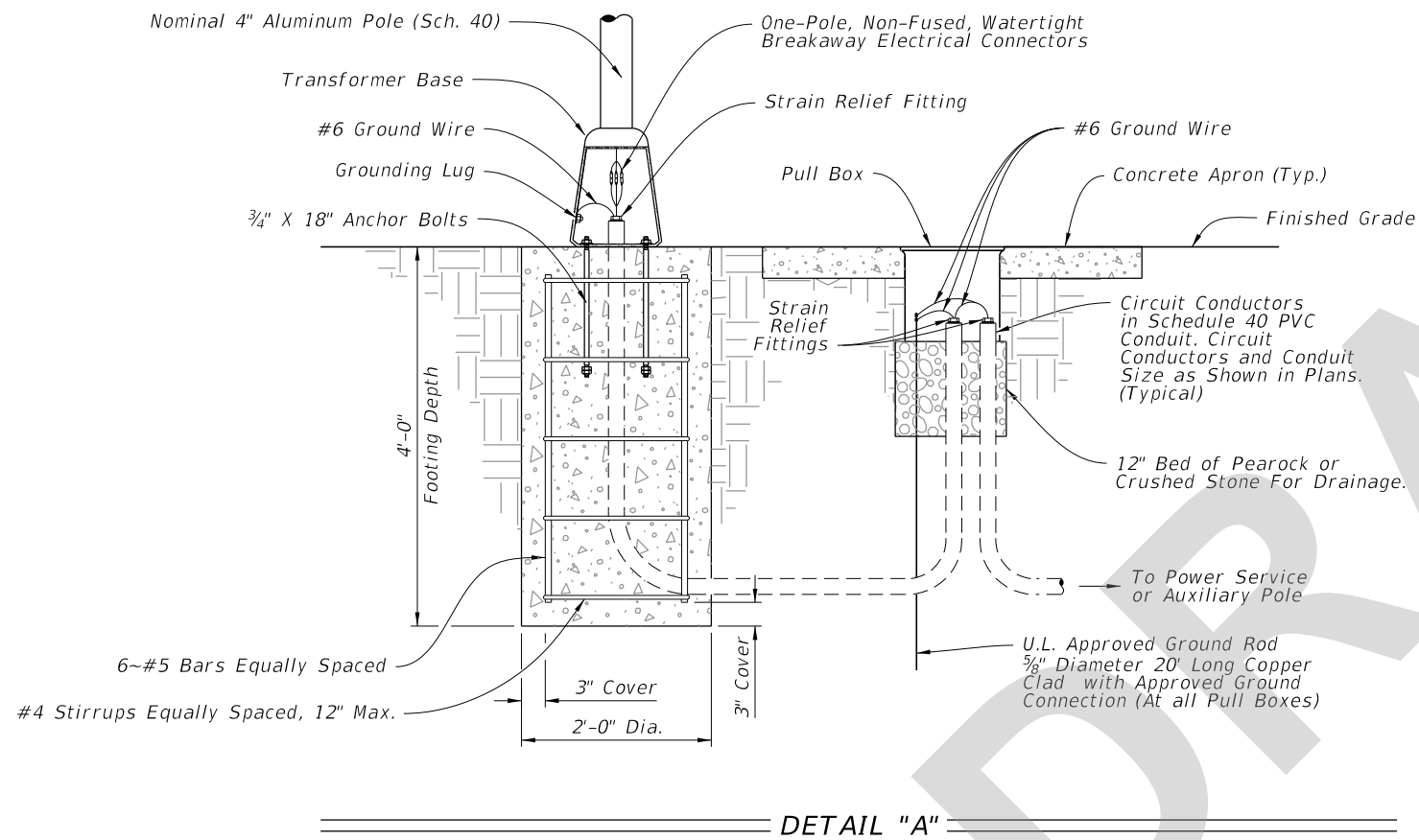
POWER CONFIGURATION 'B' NOTES:

1. Install a separate pole for mounting the solar panel, controller and batteries for all roadside assemblies with solar panels, controllers and batteries weighing more than 170 lbs.
2. Install the auxiliary pole as close to the right of way boundary as possible.
3. Install the auxiliary pole so that the height is the same as the column for the roadside assembly.
4. Orient solar panel to face South for optimal exposure to sunlight.
5. The controller and the solar batteries may be located in the same compartment.




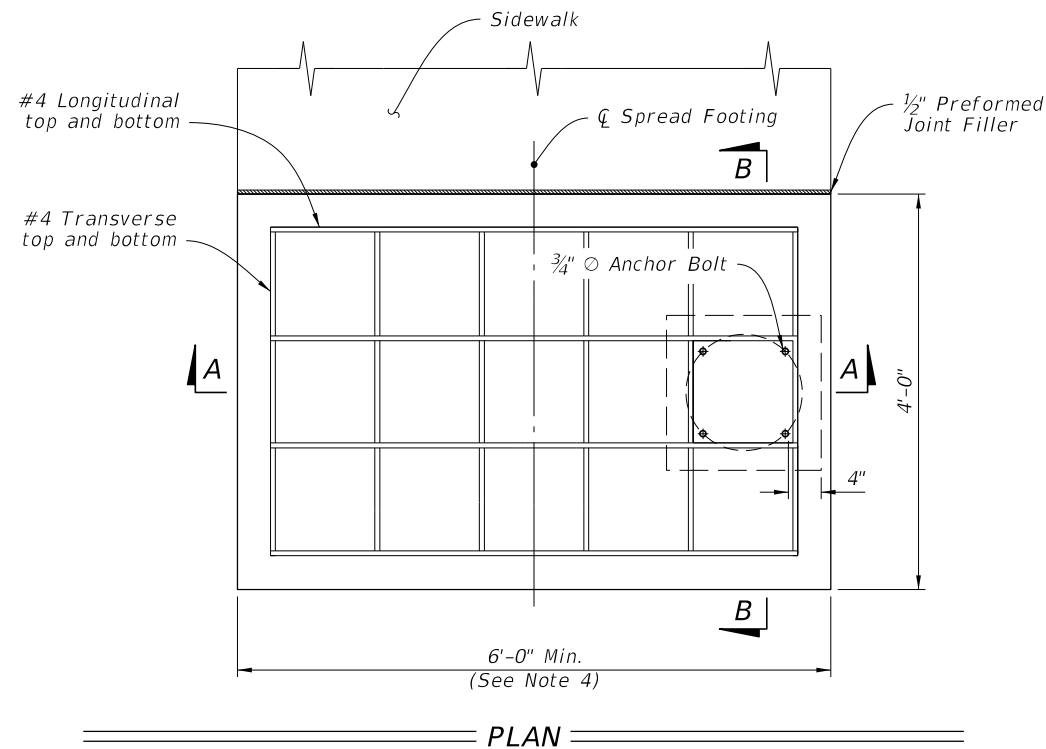
8/29/2023 11:31:46 AM

8/29/2023 11:31:51 AM



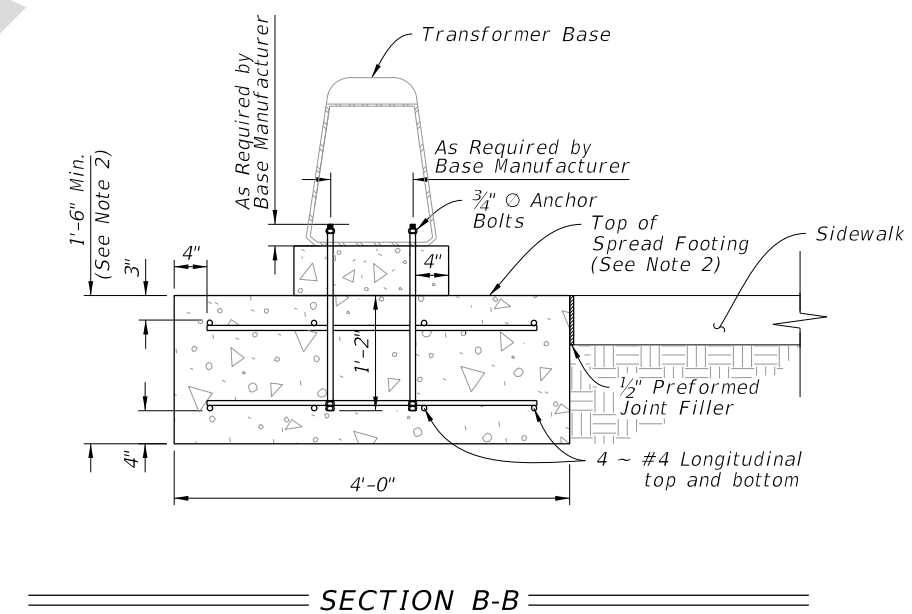
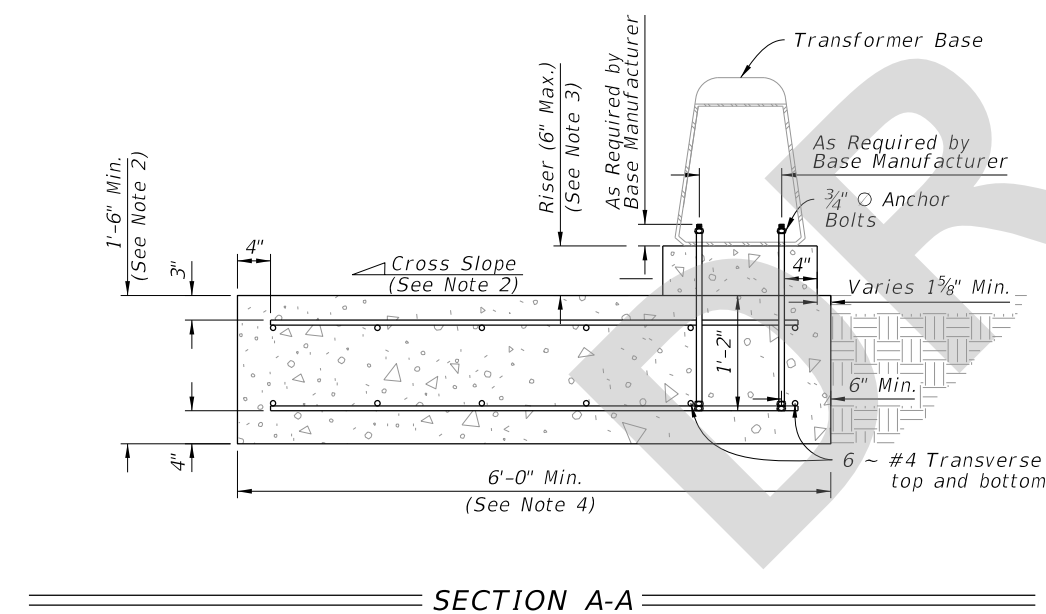
CONDUIT, WIRING, AND FOUNDATION DETAILS

<p>LAST REVISION 11/01/23</p>	<p>REVISION</p> <p>DESCRIPTION:</p>	 <p>FY 2024-25 STANDARD PLANS</p>	<p>ENHANCED HIGHWAY SIGNING ASSEMBLIES</p>	<p>INDEX 700-120</p>	<p>SHEET 2 of 15</p>
-----------------------------------	-------------------------------------	--	--	--------------------------	--------------------------




NOTES:

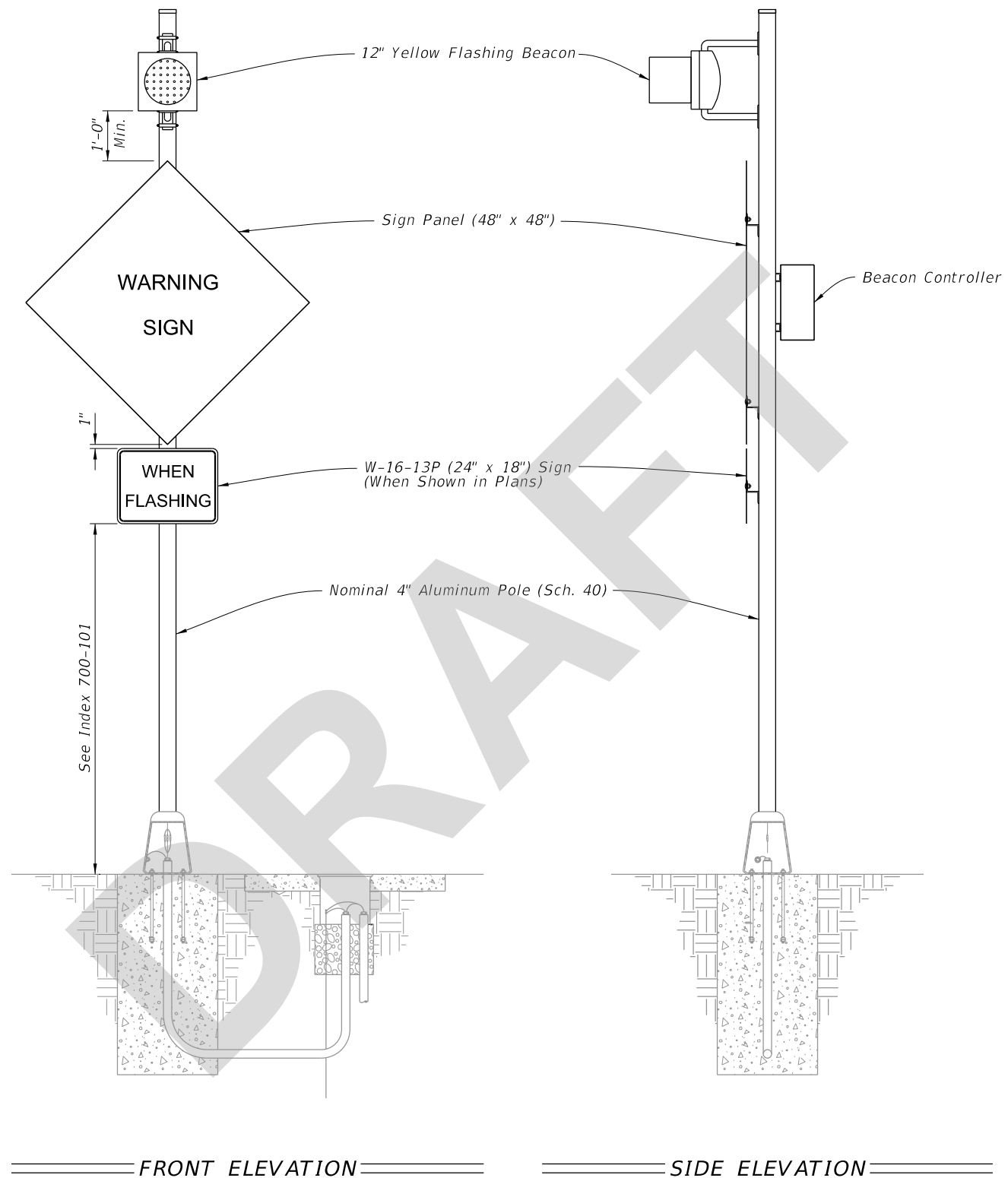
1. Install the Spread Footing Foundation only where called for in the Plans.
2. SIDEWALK:
 - a. When abutting sidewalk, match the cross slope of the adjacent sidewalk or curb ramp where applicable. Maintain the minimum depth of footing.
 - b. 1/2" expansion preformed joint filler required between sidewalk and spread footing.
 - c. Apply concrete surface finish to the top of the spread footing in accordance with Specification 522-7.
 - d. Sidewalk placed on the other side or both sides of the spread footing is permitted where shown in the Plans.
3. Only use concrete riser when installed in-line with sidewalk curb that results in a drop off to the adjacent sidewalk.
4. For sidewalks greater than 6', match sidewalk width. Add one #4 transverse bar, top and bottom, per additional foot of spread footing to maintain at minimum the same reinforcement area per foot.
5. Base location can vary on spread footing. Location shown in Plans.



8/29/2023 11:31:55 AM

SPREAD FOOTING FOUNDATION

LAST REVISION 11/01/23	REVISION	DESCRIPTION:	 FY 2024-25 STANDARD PLANS	ENHANCED HIGHWAY SIGNING ASSEMBLIES	INDEX 700-120	SHEET 3 of 15
---------------------------	----------	--------------	--	-------------------------------------	------------------	------------------



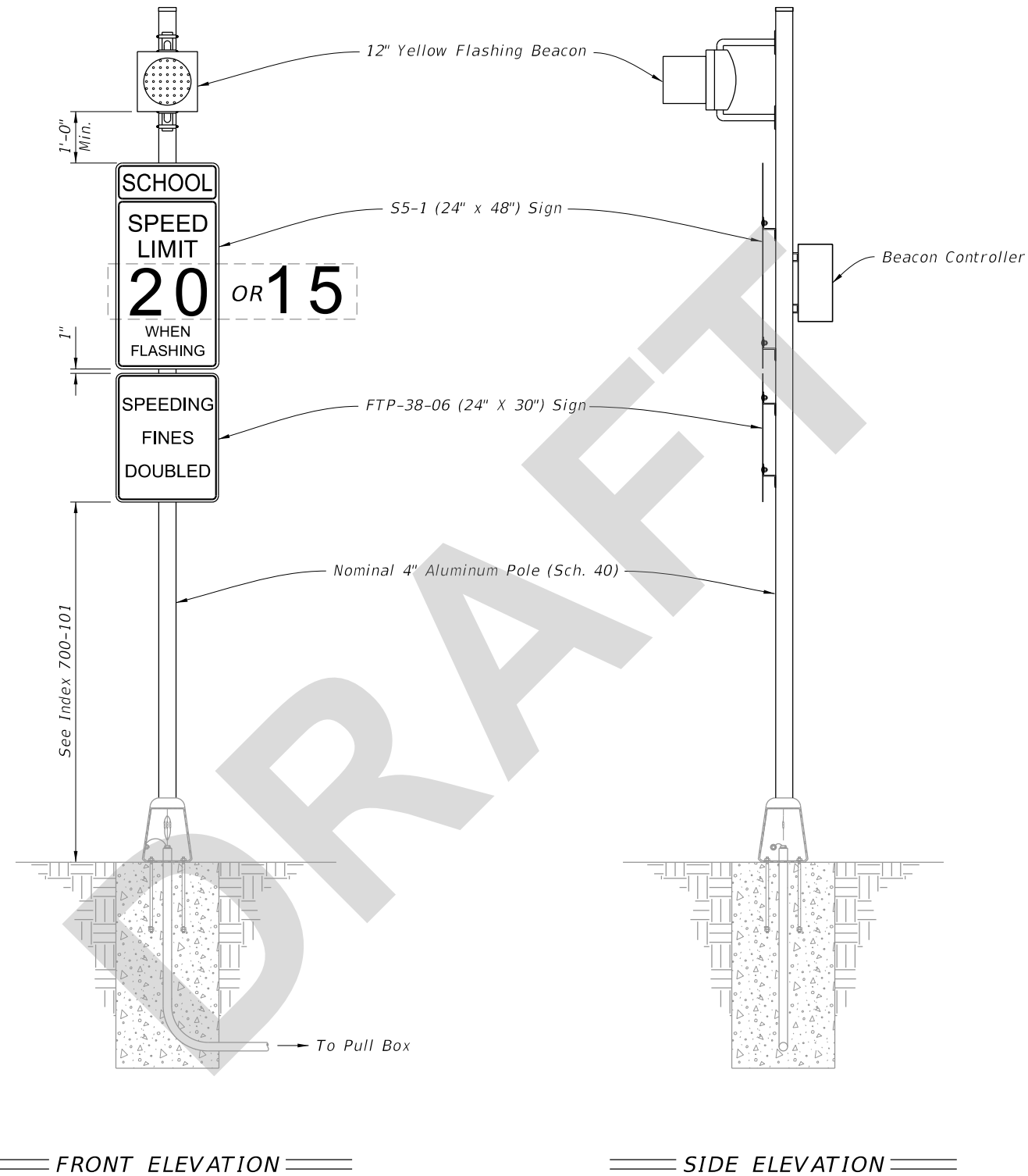
- NOTES:**
1. Type A1 Assembly (conventionally powered) is shown. Type B1 Assemblies (solar powered) similar.
 2. Foundation reinforcement not shown.

8/29/2023 11:32:01 AM

LAST REVISION 11/01/23	REVISION DESCRIPTION:	 FY 2024-25 STANDARD PLANS	ENHANCED HIGHWAY SIGNING ASSEMBLIES	INDEX 700-120	SHEET 4 of 15
---------------------------	--------------------------	----------------------------------	-------------------------------------	------------------	------------------

ROADSIDE SIGN ASSEMBLY-1

8/29/2023 11:32:05 AM



NOTES:

1. Type A2 Assembly (conventionally powered) is shown.
Type B2 Assemblies (solar powered) similar.
2. Foundation reinforcement not shown.

ROADSIDE SIGN ASSEMBLY-2

LAST REVISION 11/01/23	REVISION	DESCRIPTION:
---------------------------	----------	--------------

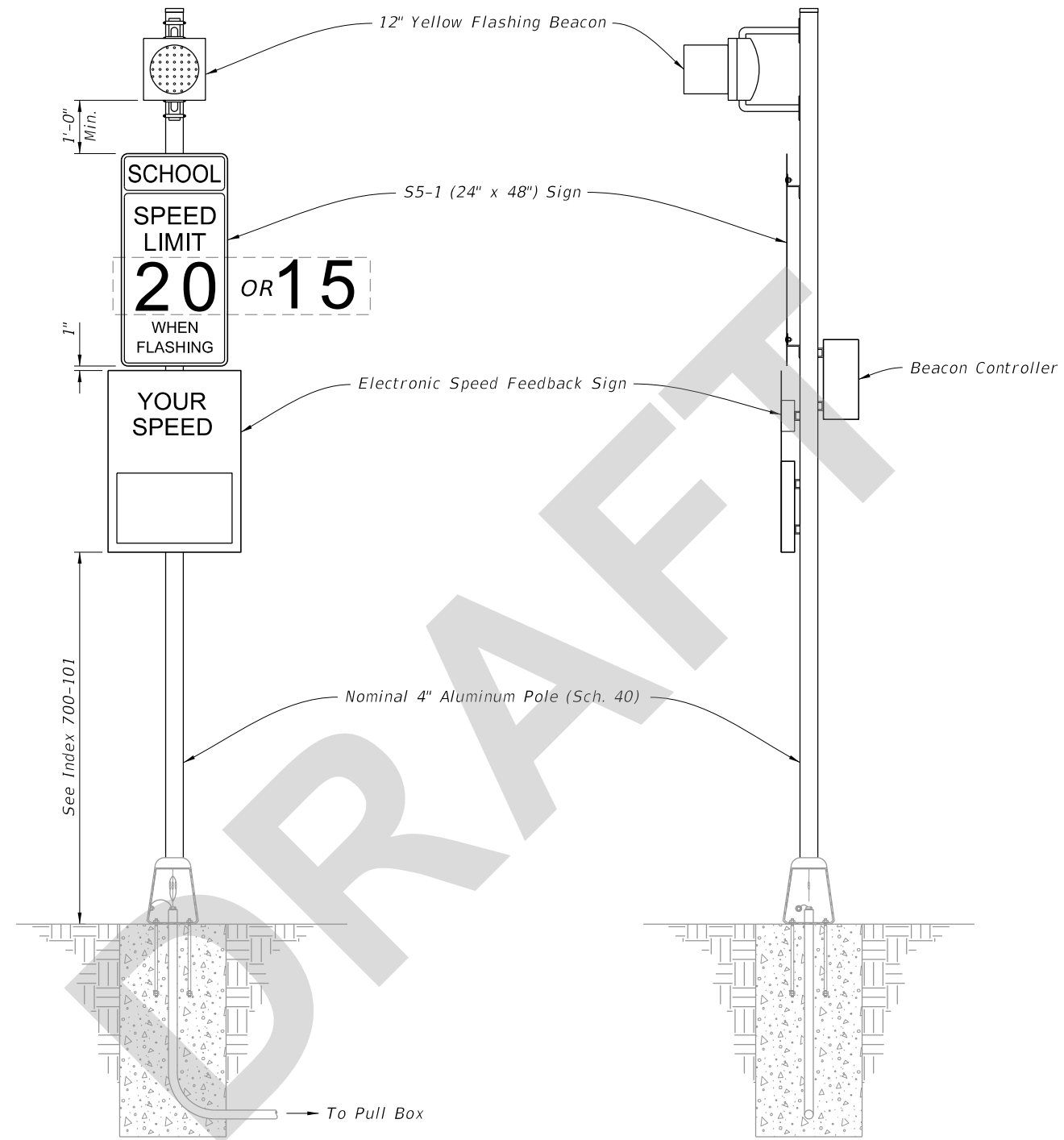


FY 2024-25
STANDARD PLANS

ENHANCED HIGHWAY SIGNING ASSEMBLIES

INDEX
700-120

SHEET
5 of 15



FRONT ELEVATION


SIDE ELEVATION

NOTES:

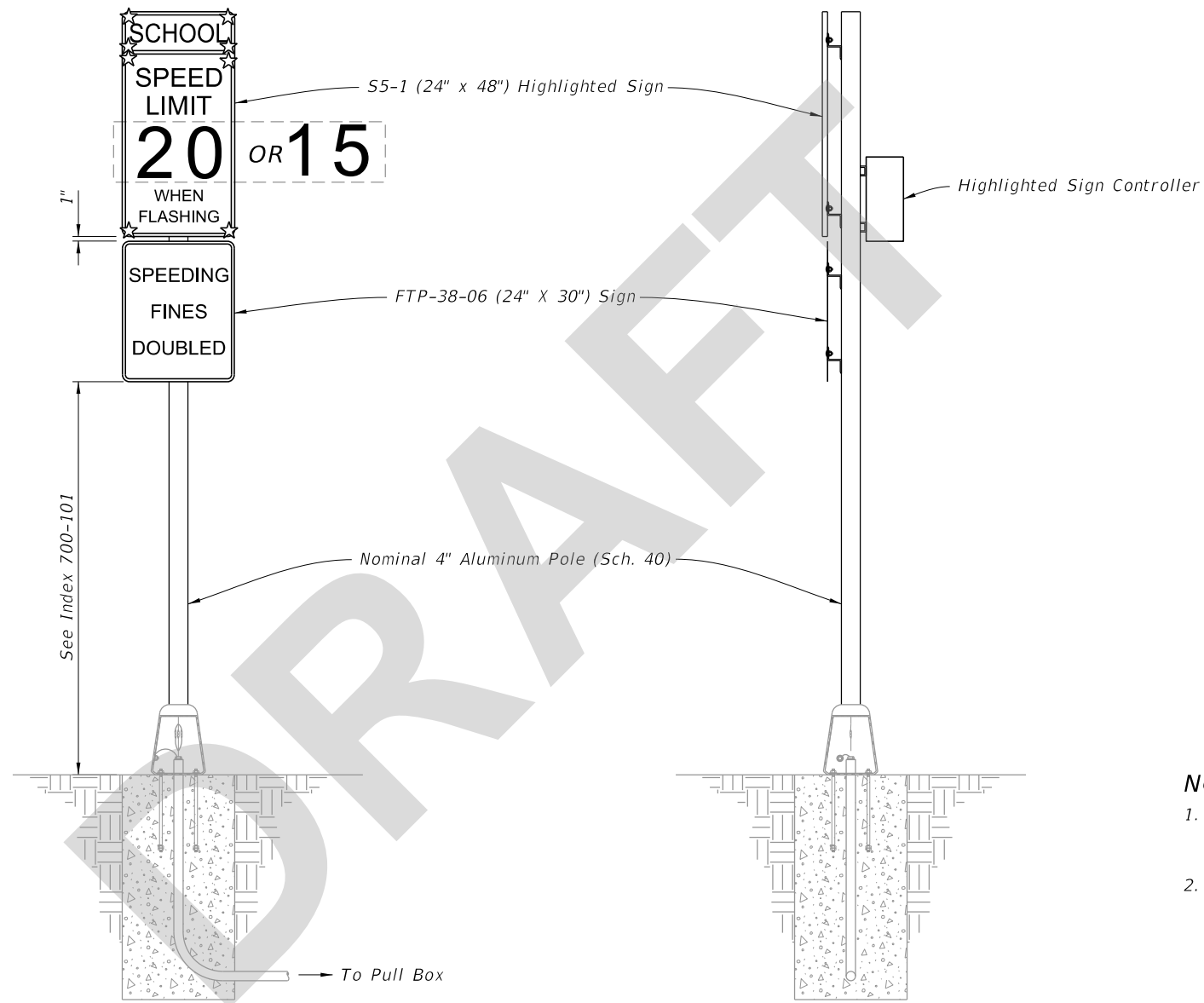
1. Type A3 Assembly (conventionally powered) is shown. Type B3 Assemblies (solar powered) similar.
2. Use electronic speed feedback sign with 15" high numerals for posted speed of 45 mph or less, and 18" high numerals for posted speeds greater than 45 mph.
3. Foundation reinforcement not shown.

8/29/2023 11:32:09 AM

ROADSIDE SIGN ASSEMBLY-3

LAST REVISION 11/01/23	REVISION	DESCRIPTION:	 FY 2024-25 STANDARD PLANS	ENHANCED HIGHWAY SIGNING ASSEMBLIES	INDEX 700-120	SHEET 6 of 15
---------------------------	----------	--------------	---	-------------------------------------	------------------	------------------

8/29/2023 11:32:13 AM



FRONT ELEVATION

SIDE ELEVATION

NOTES:

- 1. Type A4 Assembly (conventionally powered) is shown. Type B4 Assemblies (solar powered) similar.
- 2. Foundation reinforcement not shown.

ROADSIDE SIGN ASSEMBLY-4

LAST REVISION 11/01/23	DESCRIPTION:
---------------------------	--------------



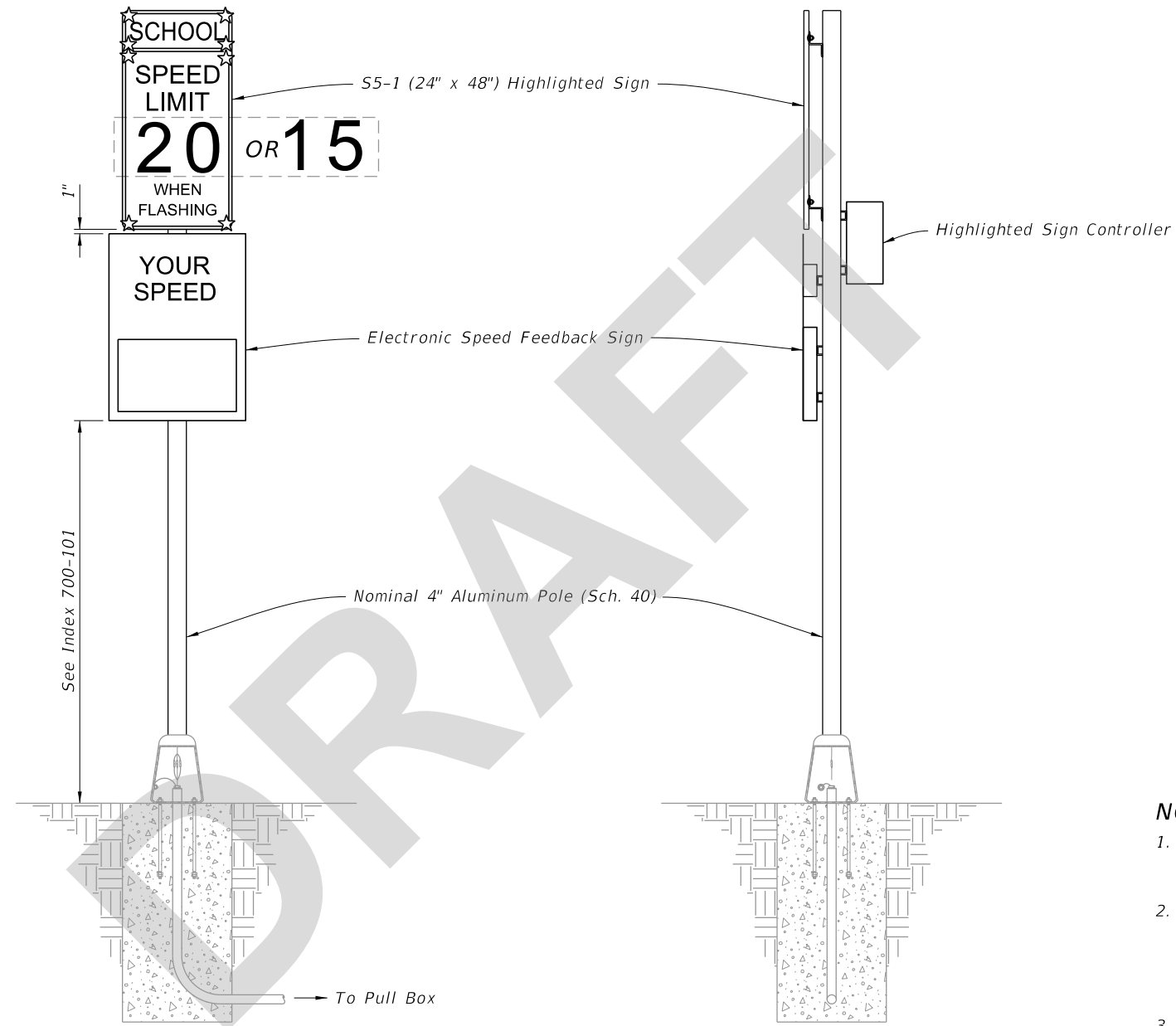
FY 2024-25
STANDARD PLANS

ENHANCED HIGHWAY SIGNING ASSEMBLIES

INDEX
700-120

SHEET
7 of 15

8/29/2023 11:32:17 AM




FRONT ELEVATION

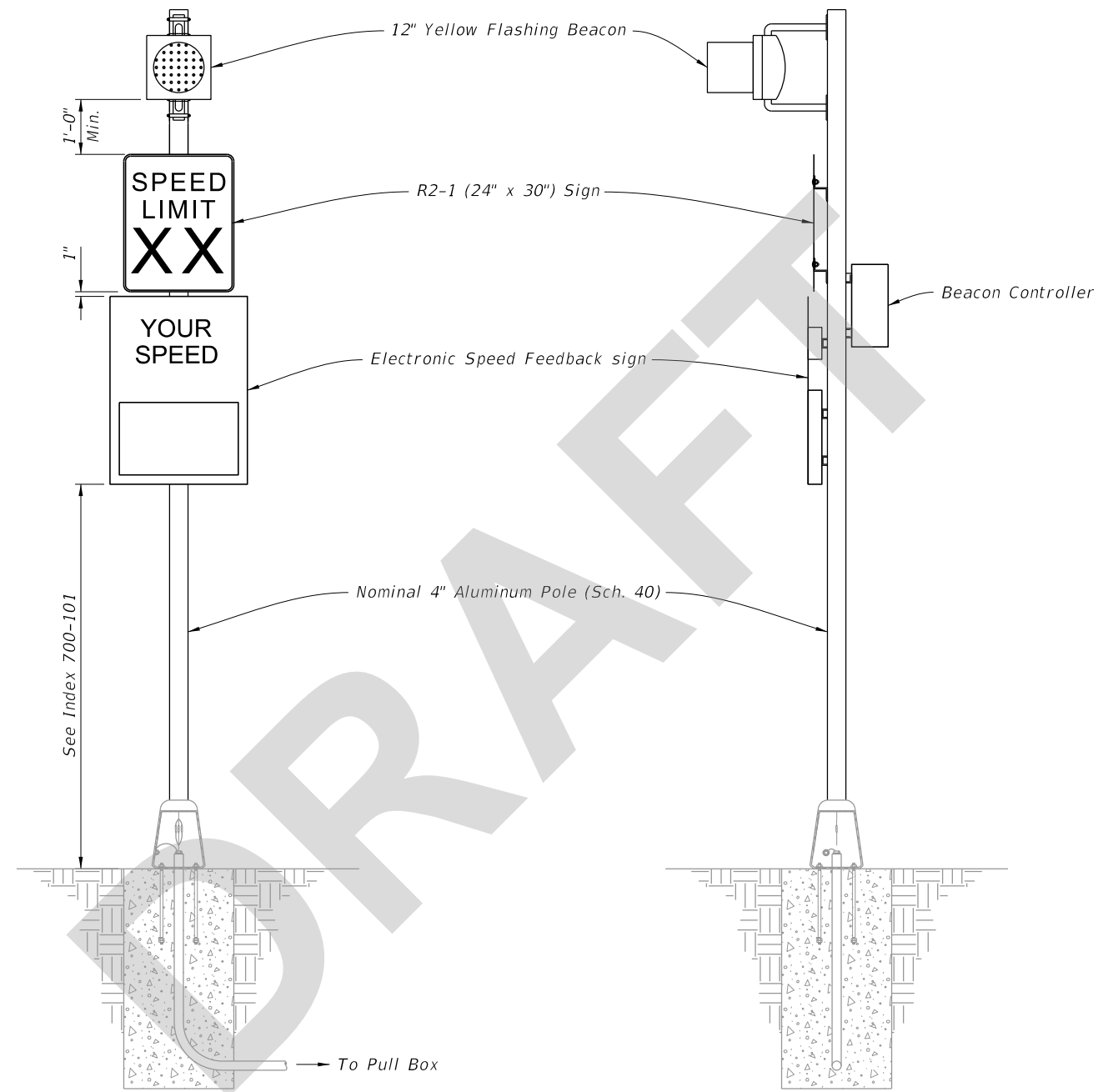
SIDE ELEVATION

- NOTES:**
1. Type A5 Assembly (conventionally powered) is shown. Type B5 Assemblies (solar powered) similar.
 2. Use electronic speed feedback sign with 15" high numerals for posted speed of 45 mph or less, and 18" high numerals for posted speeds greater than 45 mph.
 3. Foundation reinforcement not shown.

ROADSIDE SIGN ASSEMBLY-5

<p>LAST REVISION 11/01/23</p>	<p>DESCRIPTION:</p>	 <p>FY 2024-25 STANDARD PLANS</p>	<p>ENHANCED HIGHWAY SIGNING ASSEMBLIES</p>	<p>INDEX 700-120</p>	<p>SHEET 8 of 15</p>
-----------------------------------	---------------------	---	--	--------------------------	--------------------------

8/29/2023 11:32:23 AM



FRONT ELEVATION

SIDE ELEVATION

NOTES:

1. Type A6 Assembly (conventionally powered) is shown. Type B6 Assemblies (solar powered) similar.
2. Use electronic speed feedback sign with 15" high numerals for posted speed of 45 mph or less, and 18" high numerals for posted speeds greater than 45 mph.
3. Foundation reinforcement not shown.

ROADSIDE SIGN ASSEMBLY-6

LAST REVISION 11/01/23	REVISION	DESCRIPTION:
------------------------------	----------	--------------

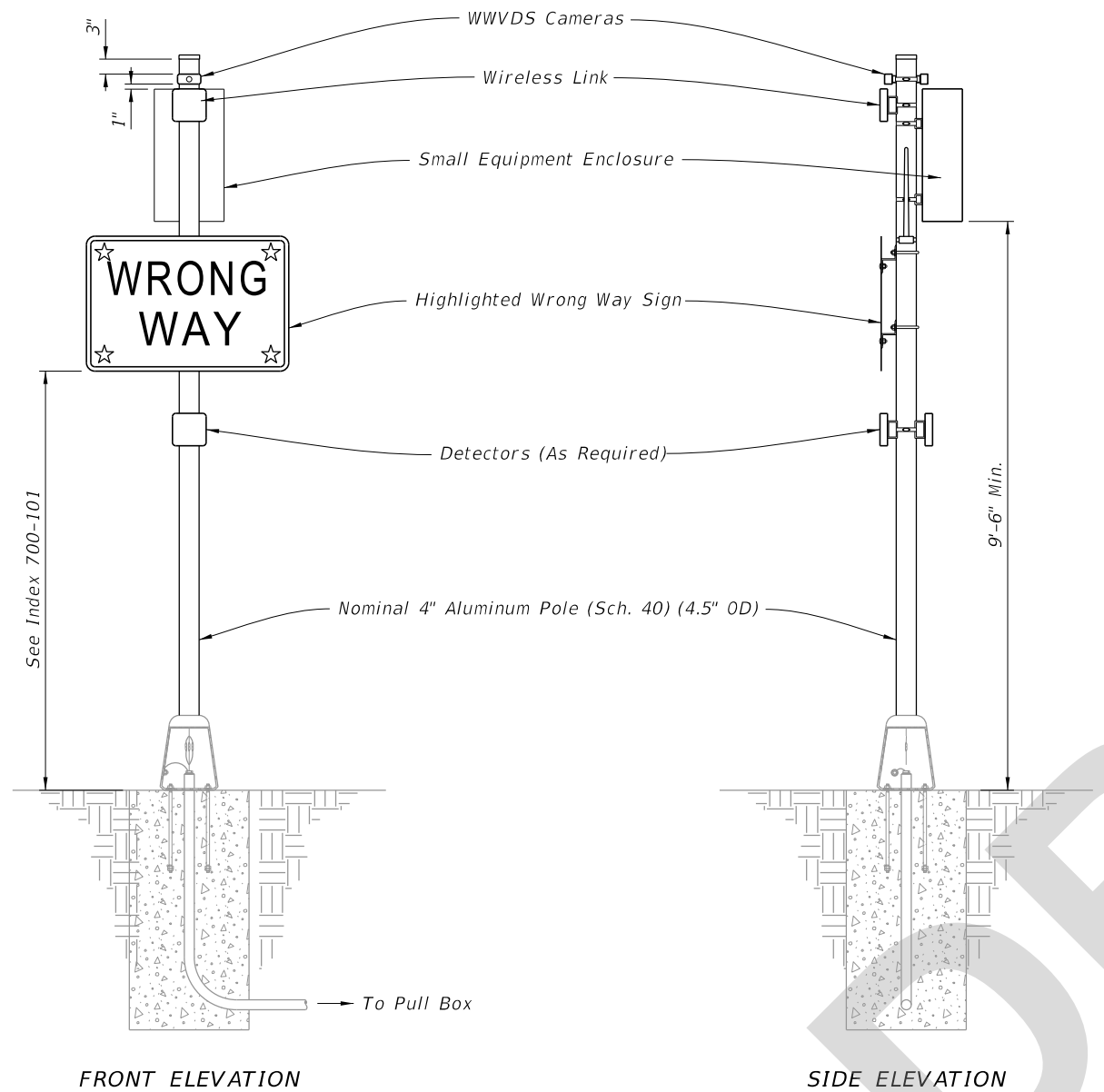


FY 2024-25
STANDARD PLANS

ENHANCED HIGHWAY SIGNING ASSEMBLIES

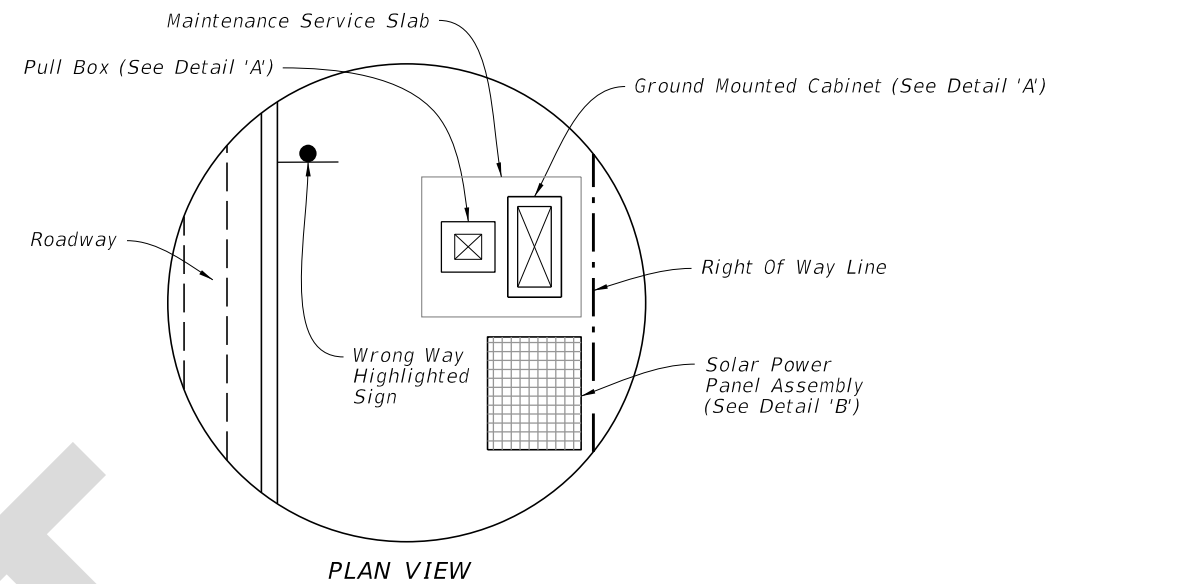
INDEX
700-120

SHEET
9 of 15

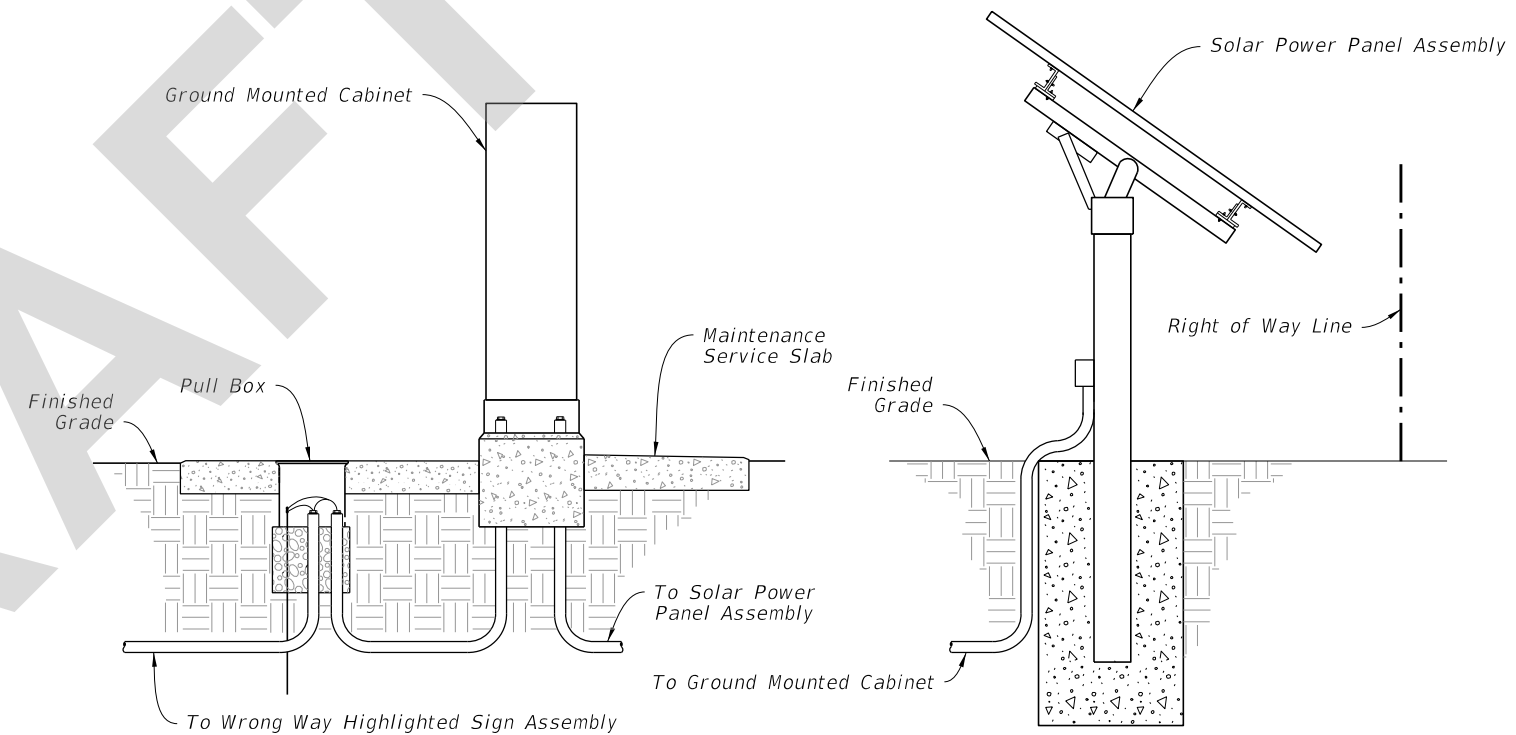


FRONT ELEVATION

SIDE ELEVATION



PLAN VIEW



DETAIL 'A'

DETAIL 'B'

WRONG WAY HIGHLIGHTED SIGN ASSEMBLY

SOLAR POWER ASSEMBLY

NOTES:

1. Install Wrong Way Vehicle Detection System (WWVDS) devices including cameras, detectors, wireless links, antennas, enclosures, and electronics in accordance with the manufacturer's instructions.
2. When a solar powered configuration (Type B7) is called for in the Plans, install a ground mounted cabinet and solar power panel assembly. Install the solar charge controller and batteries in the same ground mounted cabinet. Provide a separate pole for mounting the solar panel (DETAIL 'B' shown for illustration purposes only) and install in accordance with manufacturer's instructions. Locate the Solar Power Assembly as close to the right of way as possible. Orient the solar panel to face South.
3. Foundation reinforcement not shown.
4. Install cabinets in accordance with Index 676-010.

ROADSIDE SIGN ASSEMBLY-7

8/29/2023 11:32:27 AM

LAST REVISION	11/01/23	REVISION	DESCRIPTION:
---------------	----------	----------	--------------



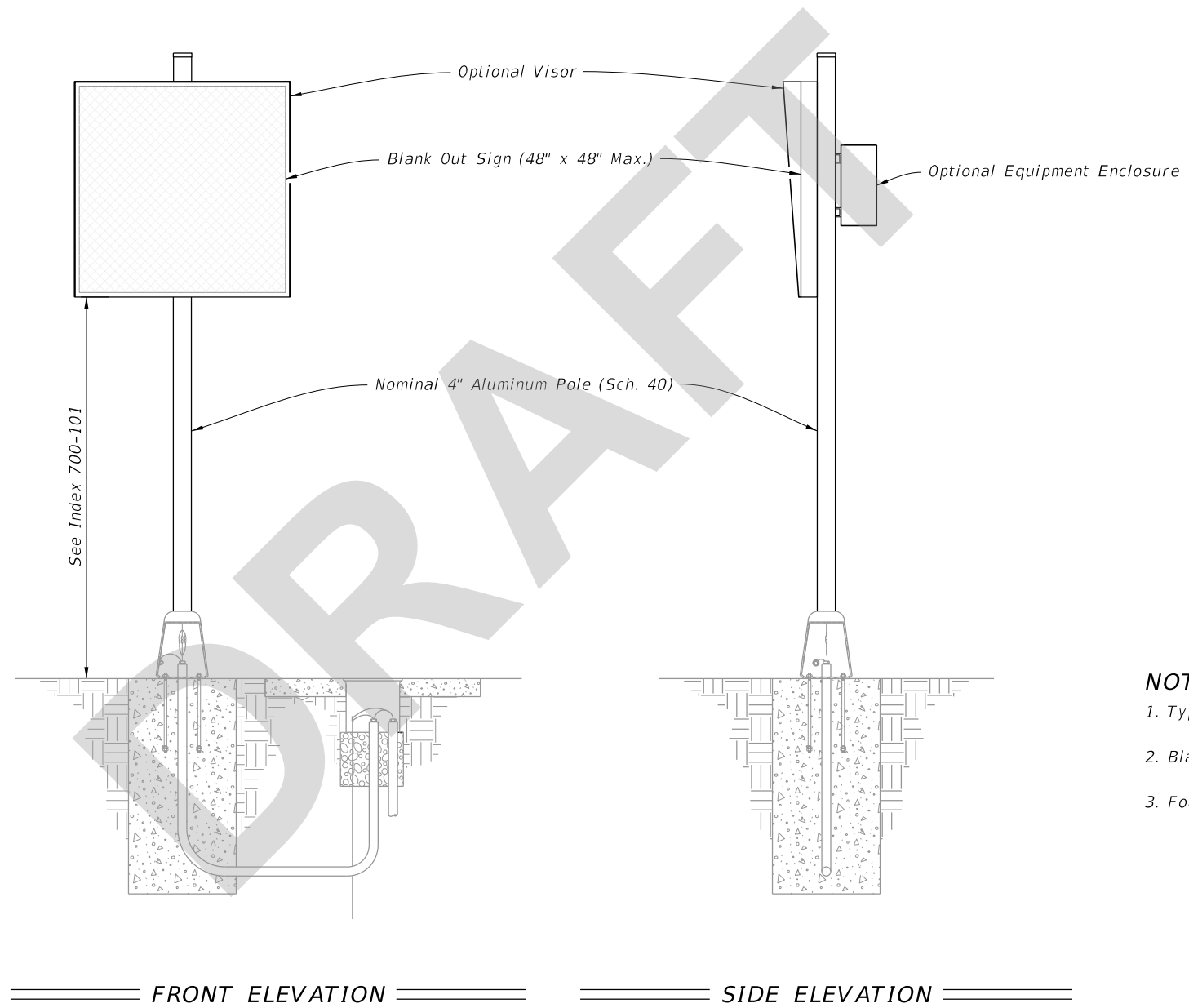
FY 2024-25
STANDARD PLANS

ENHANCED HIGHWAY SIGNING ASSEMBLIES

INDEX
700-120

SHEET
10 of 15

8/29/2023 11:32:31 AM



NOTES:

- 1. Type A8 Assembly (conventionally powered) is shown.
- 2. Blank Out Sign visors are optional.
- 3. Foundation reinforcement not shown.

ROADSIDE SIGN ASSEMBLY-8

LAST REVISION 11/01/23	REVISION	DESCRIPTION:
------------------------------	----------	--------------



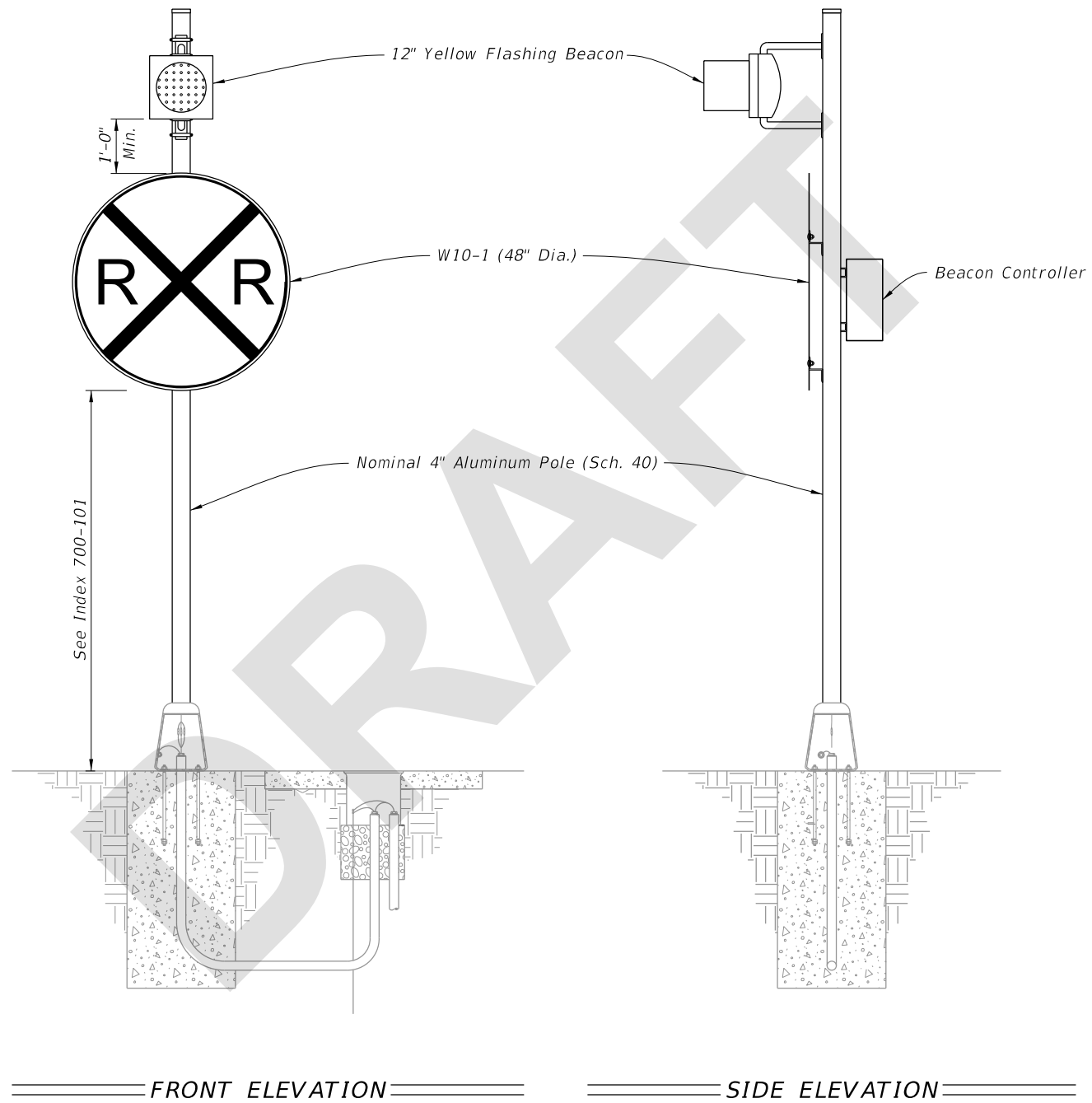
FY 2024-25
STANDARD PLANS

ENHANCED HIGHWAY SIGNING ASSEMBLIES

INDEX
700-120

SHEET
11 of 15

9/20/2023 10:51:00 AM



NOTES:

1. Type A9 Assembly (conventionally powered) is shown.
Type B9 Assemblies (solar powered) similar.
2. Foundation reinforcement not shown.

ROADSIDE SIGN ASSEMBLY-9

LAST REVISION 11/01/23	DESCRIPTION:
---------------------------	--------------



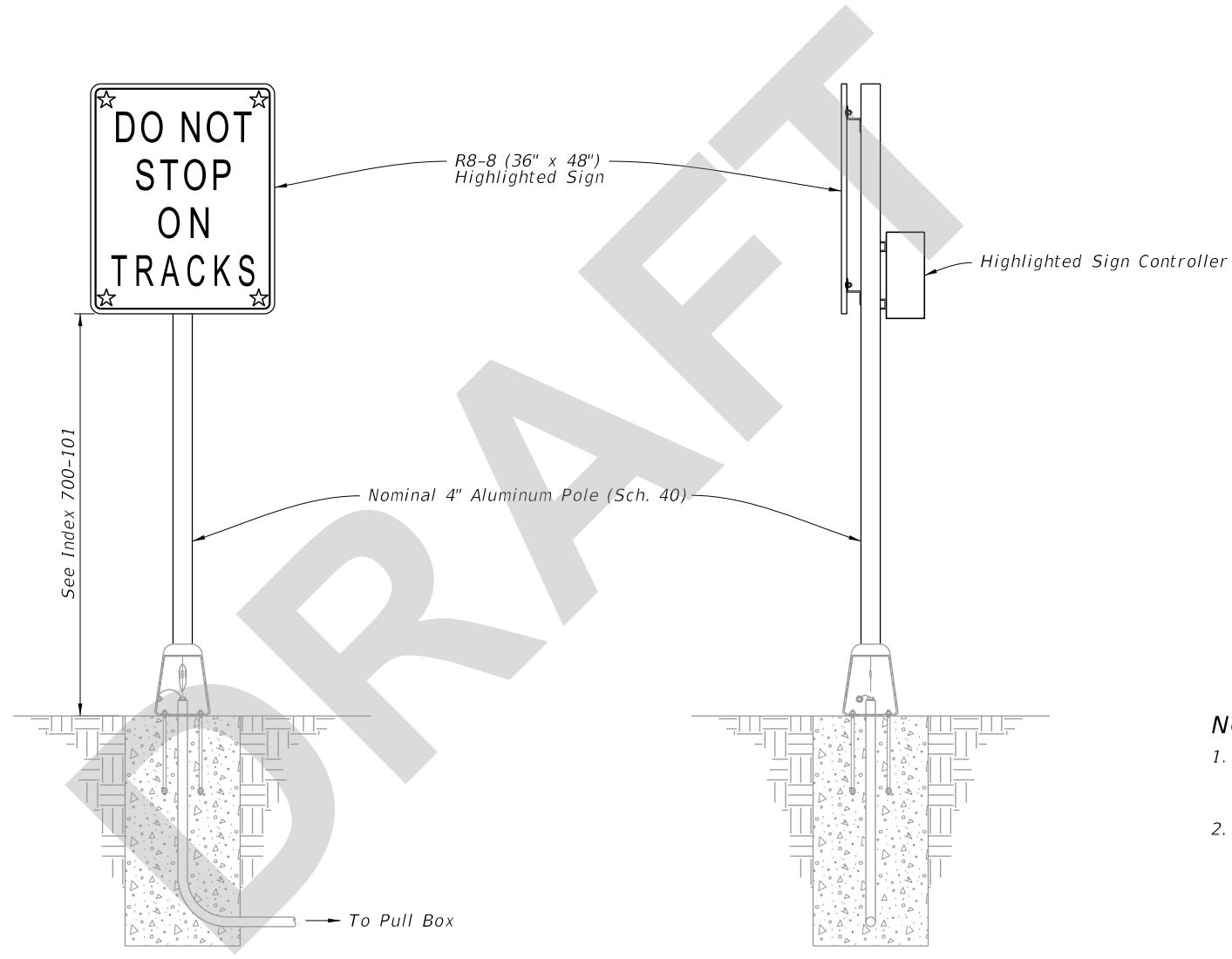
FY 2024-25
STANDARD PLANS

ENHANCED HIGHWAY SIGNING ASSEMBLIES

INDEX
700-120

SHEET
12 of 15

8/29/2023 11:32:40 AM




FRONT ELEVATION

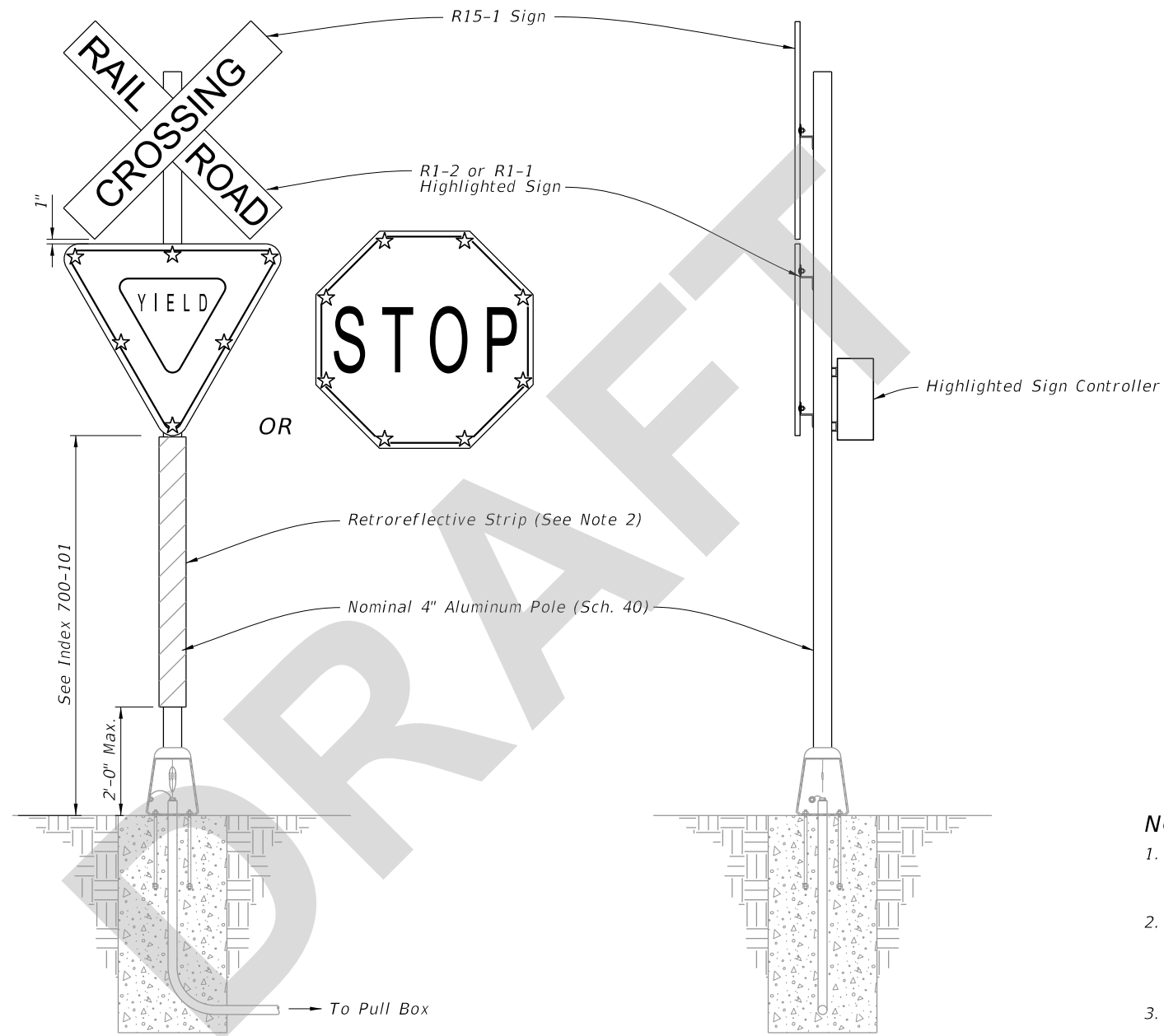
SIDE ELEVATION

- NOTES:**
1. Type A10 Assembly (conventionally powered) is shown. Type B10 Assemblies (solar powered) similar.
 2. Foundation reinforcement not shown.

ROADSIDE SIGN ASSEMBLY-10

LAST REVISION 11/01/23	REVISION DESCRIPTION:	 FY 2024-25 STANDARD PLANS	ENHANCED HIGHWAY SIGNING ASSEMBLIES	INDEX 700-120	SHEET 13 of 15
---------------------------	-----------------------	---	-------------------------------------	------------------	-------------------

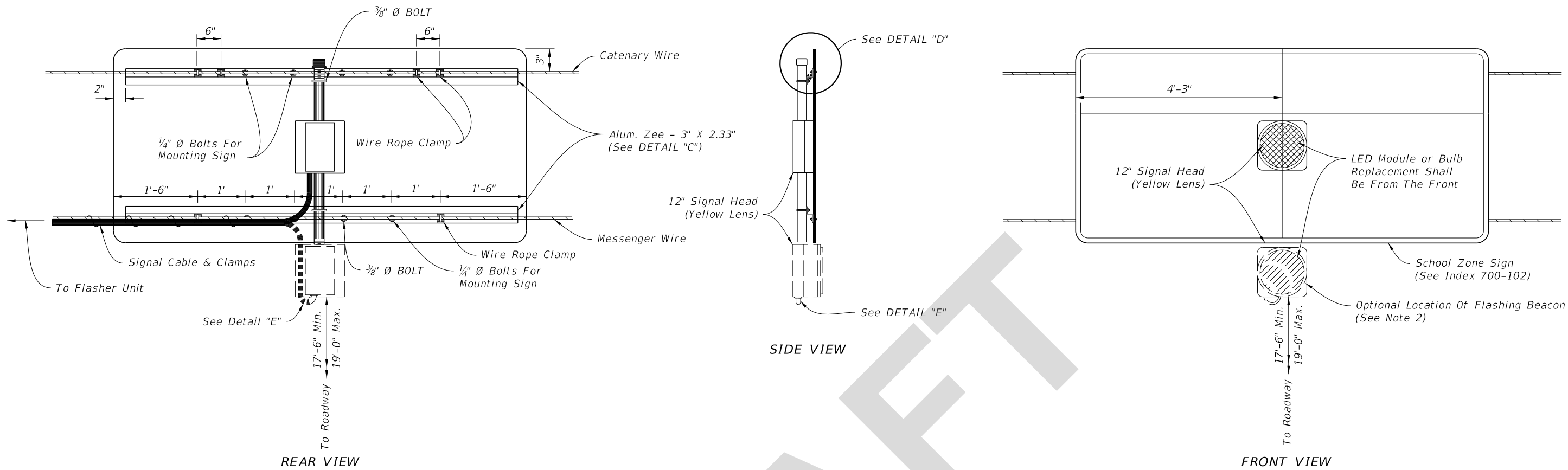
8/29/2023 11:32:44 AM



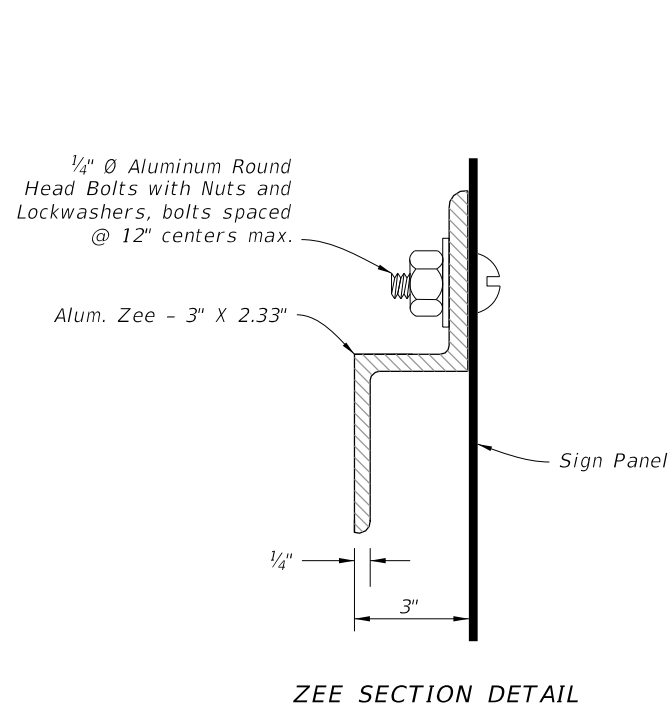
FRONT ELEVATION

SIDE ELEVATION

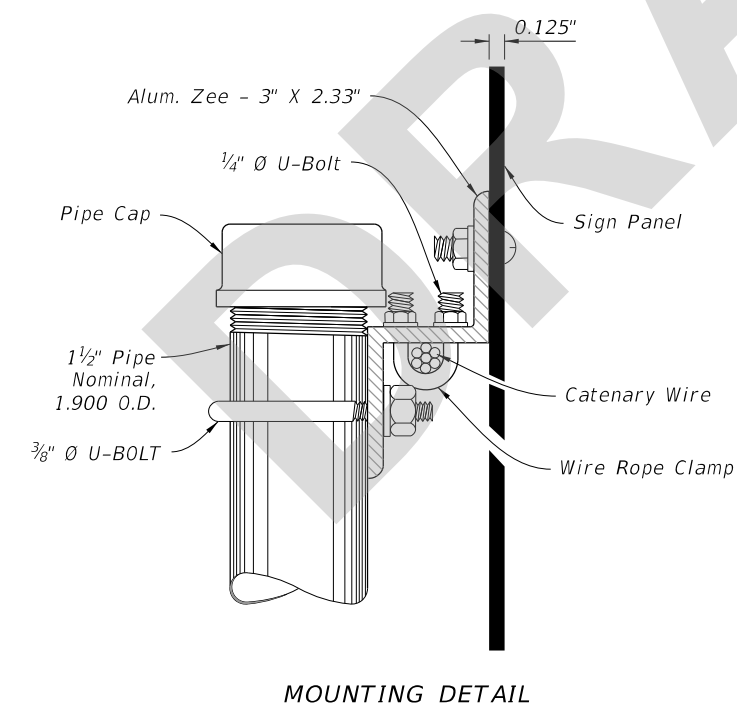
- NOTES:**
1. Type A11 Assembly (conventionally powered) is shown. Type B11 Assemblies (solar powered) similar.
 2. Install red retroreflective strip on front and white retroreflective strip on back in accordance with Specification 700.
 3. Foundation reinforcement not shown.



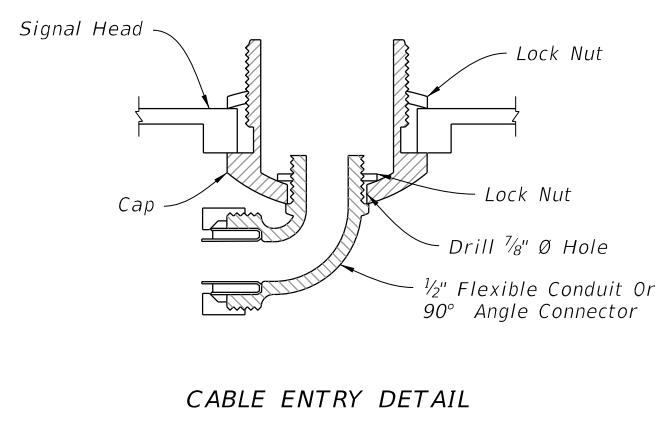
OVERHEAD SCHOOL SIGN ASSEMBLY



DETAIL "C"



DETAIL "D"



DETAIL "E"

NOTES:

1. Flasher unit and cabinet to be placed on the strain pole supporting overhead sign assembly or on service pole. The flasher unit not to overhang private property or sidewalk.
2. Optional flashing beacon will be called for in the Plans. They may be placed within or below the panel, or face to the rear.

8/29/2023 11:32:48 AM

OVERHEAD SIGN ASSEMBLY

LAST REVISION 11/01/23	REVISION	DESCRIPTION:		FY 2024-25 STANDARD PLANS	ENHANCED HIGHWAY SIGNING ASSEMBLIES	INDEX 700-120	SHEET 15 of 15
---------------------------	----------	--------------	--	------------------------------	-------------------------------------	------------------	-------------------