
ORIGINATION FORM

Proposed Revisions to a Standard Plans Index

(Please provide all information — Incomplete forms will be returned)

Contact Information:

Date: May 25, 2023

Originator: Rick Jenkins

Phone: (850) 414-4355

Email: rick.jenkins@dot.state.fl.us

Standard Plans:

Index Number: 654-001

Sheet Number (s): 1 and 2 of 2

Index Title: Rectangular Rapid Flashing Beacon Assembly

Summary of the changes:

Sheet 1: Updated Note 4 to "W11-2 Sign Panel Shown, others similar. Use 30"x30" sign panels for two-lane roadways and 36"x36" sign panels on multi-lane roadways. Updated callout to "Sign Panel (See Note 4)". Added Note 12, "In lieu of footing design shown, a Spread Footing may be used in accordance with index 700-120."

Sheet 2: Updated callout to "Sign Panel (See Note 4)".

Commentary / Background:

Note 4 and callouts were updated at the request of the TERL to allow for various sign options.

Note 12 was added because of new spread footing design option in Standard Plans Index 700-120.

Other Affected Offices / Documents: (Provide name of person contacted)

- | Yes | No | |
|-------------------------------------|-------------------------------------|----------------------------------------------------|
| <input checked="" type="checkbox"/> | <input type="checkbox"/> | Other Standard Plans – Standard Plan Index 700-120 |
| <input type="checkbox"/> | <input checked="" type="checkbox"/> | FDOT Design Manual – |
| <input type="checkbox"/> | <input checked="" type="checkbox"/> | Basis of Estimates Manual – |
| <input type="checkbox"/> | <input checked="" type="checkbox"/> | Standard Specifications – |
| <input type="checkbox"/> | <input checked="" type="checkbox"/> | Approved Product List – |
| <input type="checkbox"/> | <input checked="" type="checkbox"/> | Construction – |
| <input type="checkbox"/> | <input checked="" type="checkbox"/> | Maintenance – |

Origination Package Includes: (Submit package to Rick Jenkins)

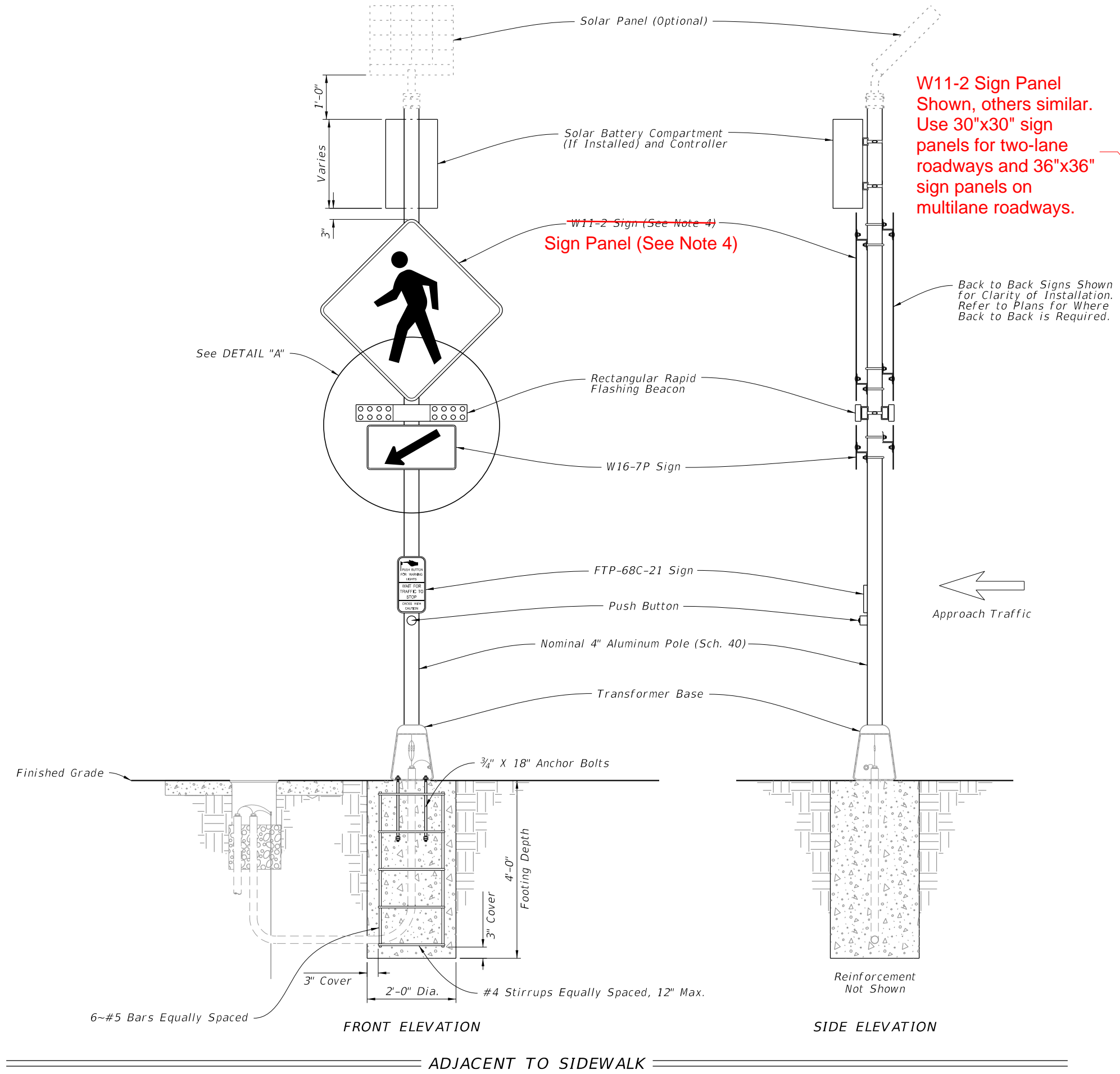
- | Yes | N/A | |
|-------------------------------------|--------------------------|-----------------------------------------------------|
| <input checked="" type="checkbox"/> | <input type="checkbox"/> | Redline Mark-ups |
| <input type="checkbox"/> | <input type="checkbox"/> | Revised or Proposed Standard Plan Instruction (SPI) |
| <input type="checkbox"/> | <input type="checkbox"/> | Other Support Documents |

Implementation:

- | | |
|-------------------------------------|----------------------------------|
| <input type="checkbox"/> | Design Bulletin (Interim) |
| <input type="checkbox"/> | DCE Memo |
| <input type="checkbox"/> | Program Mgmt. Bulletin |
| <input checked="" type="checkbox"/> | FY-Standard Plans (Next Release) |

Contact the Roadway Design Office for assistance in completing this form

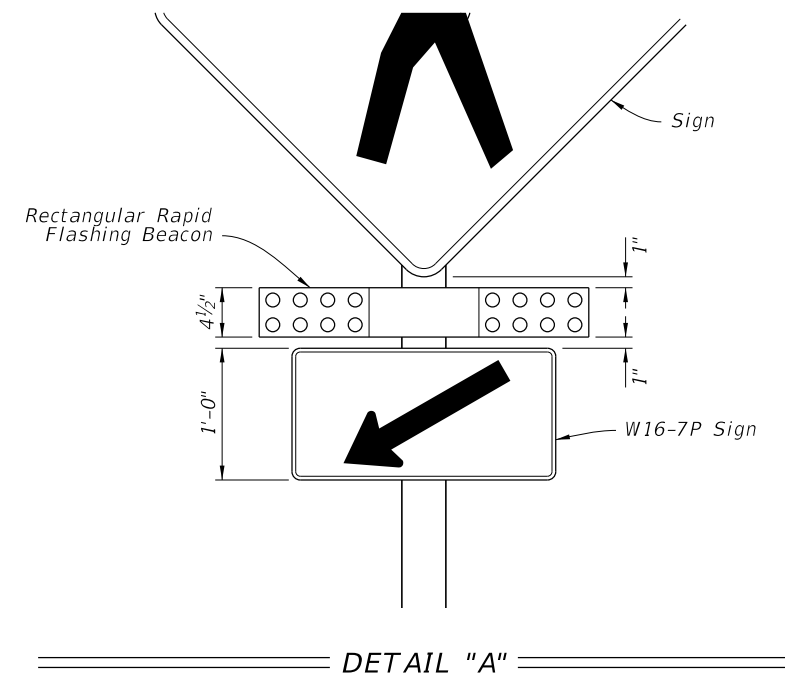
Email to: Rick Jenkins rick.jenkins@dot.state.fl.us and Darren Martin darren.martin@dot.state.fl.us



W11-2 Sign Panel
Shown, others similar.
Use 30"x30" sign
panels for two-lane
roadways and 36"x36"
sign panels on
multilane roadways.

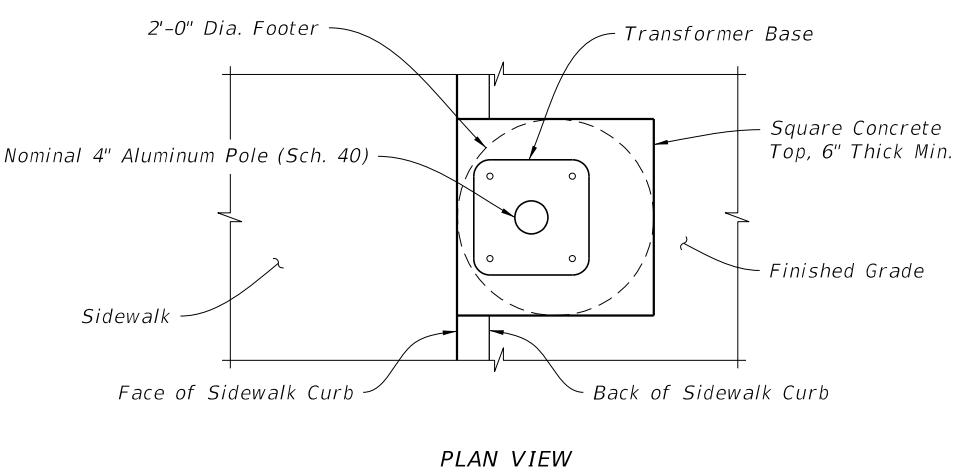
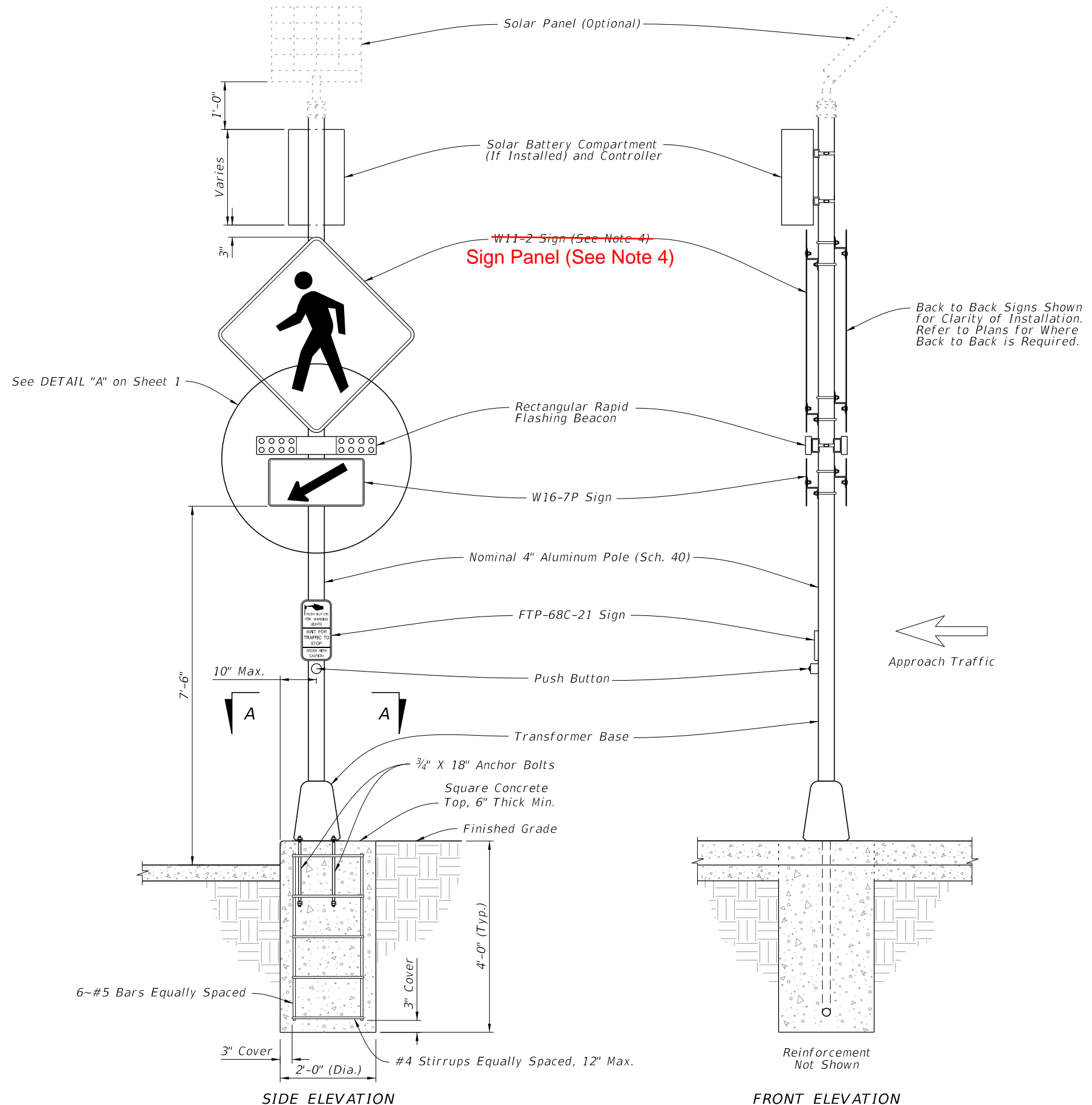
- NOTES:**
1. A transformer base is required for both conventionally-powered and solar-powered applications. Install pull box, conduit, wiring, and grounding in accordance with Index 700-120 based on the powering configuration called for in the Plans.
 2. Install the RRFB in pairs, one on either side of approach traffic.
 3. Install controller on the backside of post from approach traffic.
 4. ~~Install a 30" X 30" W11-2 sign on two-lane roadways and a 36" X 36" W11-2 sign for multilane roadways.~~
 5. Install push button and FTP-68C-21 sign in accordance with Index 665-001.
 6. Engage all threads on the transformer base and post unless the aluminum post is fully seated into base.
 7. Meet the requirements of Specification 646.
 8. Install a concrete slab around all pull boxes. The minimum slab dimension is 4'-0" by 4'-0". In urban areas where space is limited slab dimensions may be adjusted as shown in the Plans.
 9. For assemblies connected to conventional power, provide single pole non-fused watertight breakaway electrical connectors in the frangible transformer base.
 10. When wire entry holes are drilled in the sign column, use a bushing or rubber grommet to protect conductors.
 11. For solar-powered applications, orient solar panel to face South for optimal exposure to sunlight.

12. In lieu of footing design shown, a Spread Footing may be used in accordance with Index 700-120.



10/6/2022 2:32:40 PM

LAST REVISION 11/01/21 11/01/23	DESCRIPTION: 11/01/23		FY 2023-24 STANDARD PLANS	RECTANGULAR RAPID FLASHING BEACON ASSEMBLY	INDEX 654-001	SHEET 1 of 2
--------------------------------------------------	--------------------------	--	------------------------------	--------------------------------------------	------------------	-----------------



SIDE ELEVATION

FRONT ELEVATION

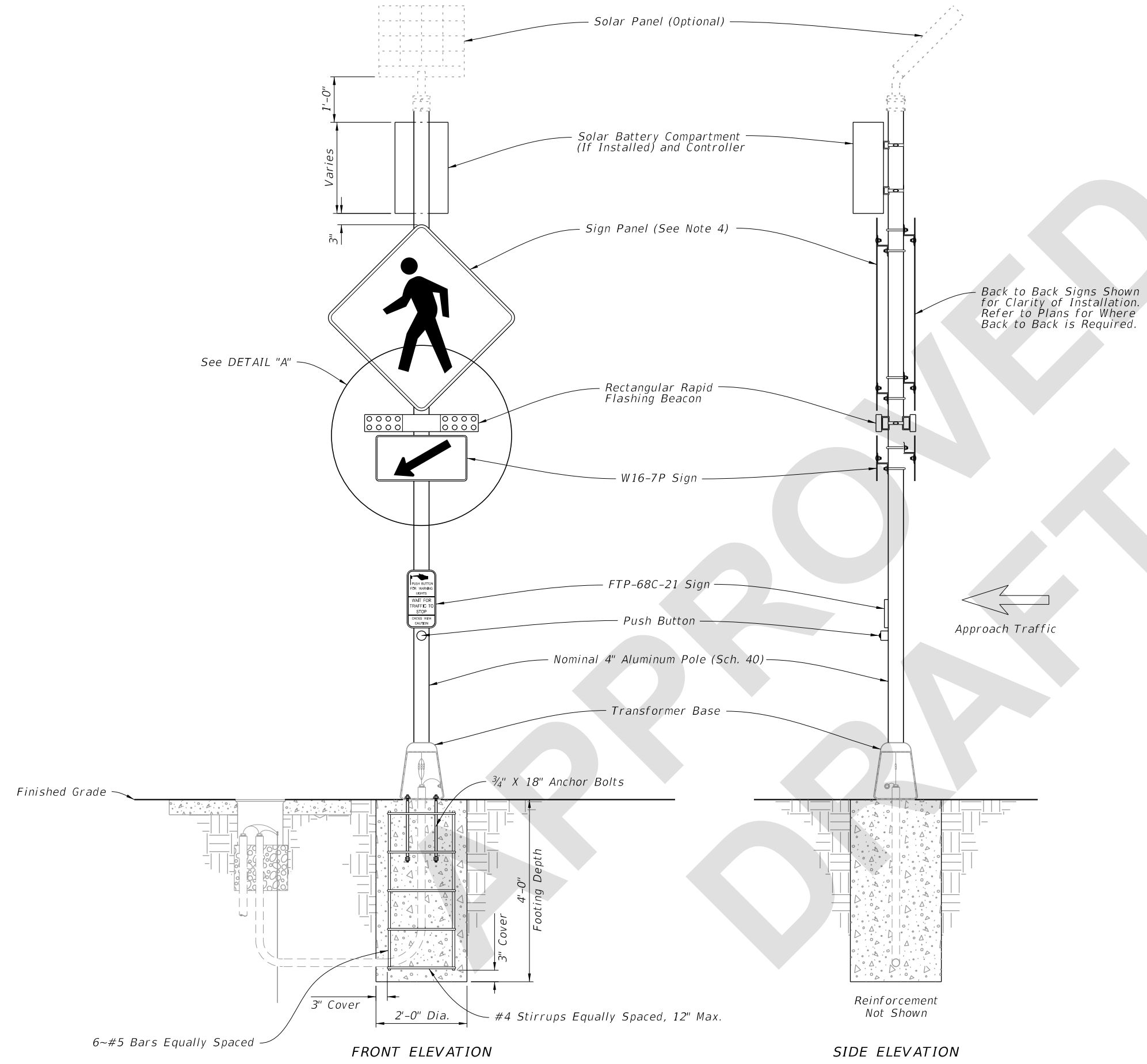
PLAN VIEW

IN SIDEWALK CURB

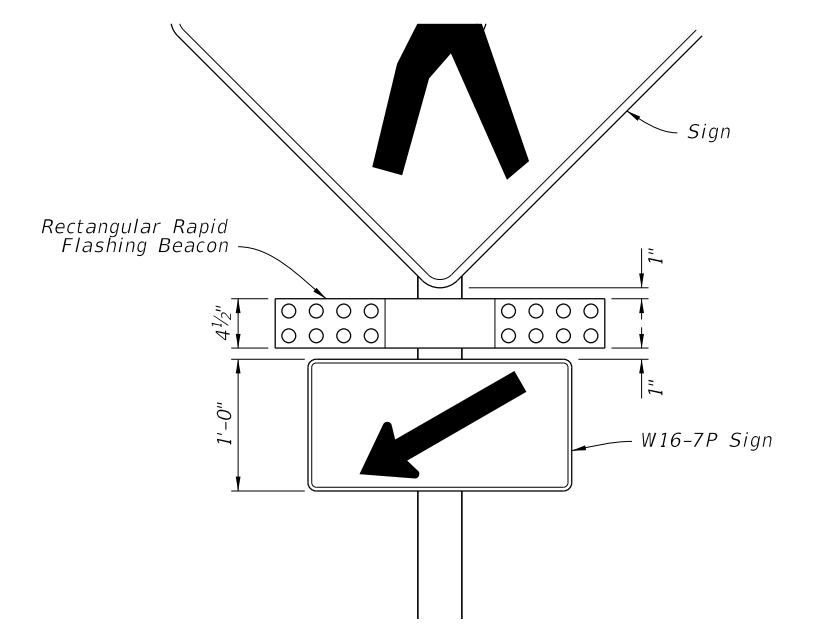
SECTION A-A

10/6/2022 2:32:41 PM

<p>LAST REVISION</p> <p>11/01/21</p>	<p>DESCRIPTION:</p> <p>11/01/23</p>	<p>FY 2023-24 STANDARD PLANS</p>	<p>RECTANGULAR RAPID FLASHING BEACON ASSEMBLY</p>	<p>INDEX</p> <p>654-001</p>	<p>SHEET</p> <p>2 of 2</p>
--------------------------------------	-------------------------------------	--------------------------------------	---------------------------------------------------	-----------------------------	----------------------------



- NOTES:**
1. A transformer base is required for both conventionally-powered and solar-powered applications. Install pull box, conduit, wiring, and grounding in accordance with Index 700-120 based on the powering configuration called for in the Plans.
 2. Install the RRFB in pairs, one on either side of approach traffic.
 3. Install controller on the backside of post from approach traffic.
 4. W11-2 sign panel shown, others similar. Use 30" X 30" sign panels for two-lane roadways and 36" X 36" sign panels on multilane roadways.
 5. Install push button and FTP-68C-21 sign in accordance with Index 665-001.
 6. Engage all threads on the transformer base and post unless the aluminum post is fully seated into base.
 7. Meet the requirements of Specification 646.
 8. Install a concrete slab around all pull boxes. The minimum slab dimension is 4'-0" by 4'-0". In urban areas where space is limited slab dimensions may be adjusted as shown in the Plans.
 9. For assemblies connected to conventional power, provide single pole non-fused watertight breakaway electrical connectors in the frangible transformer base.
 10. When wire entry holes are drilled in the sign column, use a bushing or rubber grommet to protect conductors.
 11. For solar-powered applications, orient solar panel to face South for optimal exposure to sunlight.
 12. In lieu of footing design shown, a Spread Footing may be used in accordance with Index 700-120.

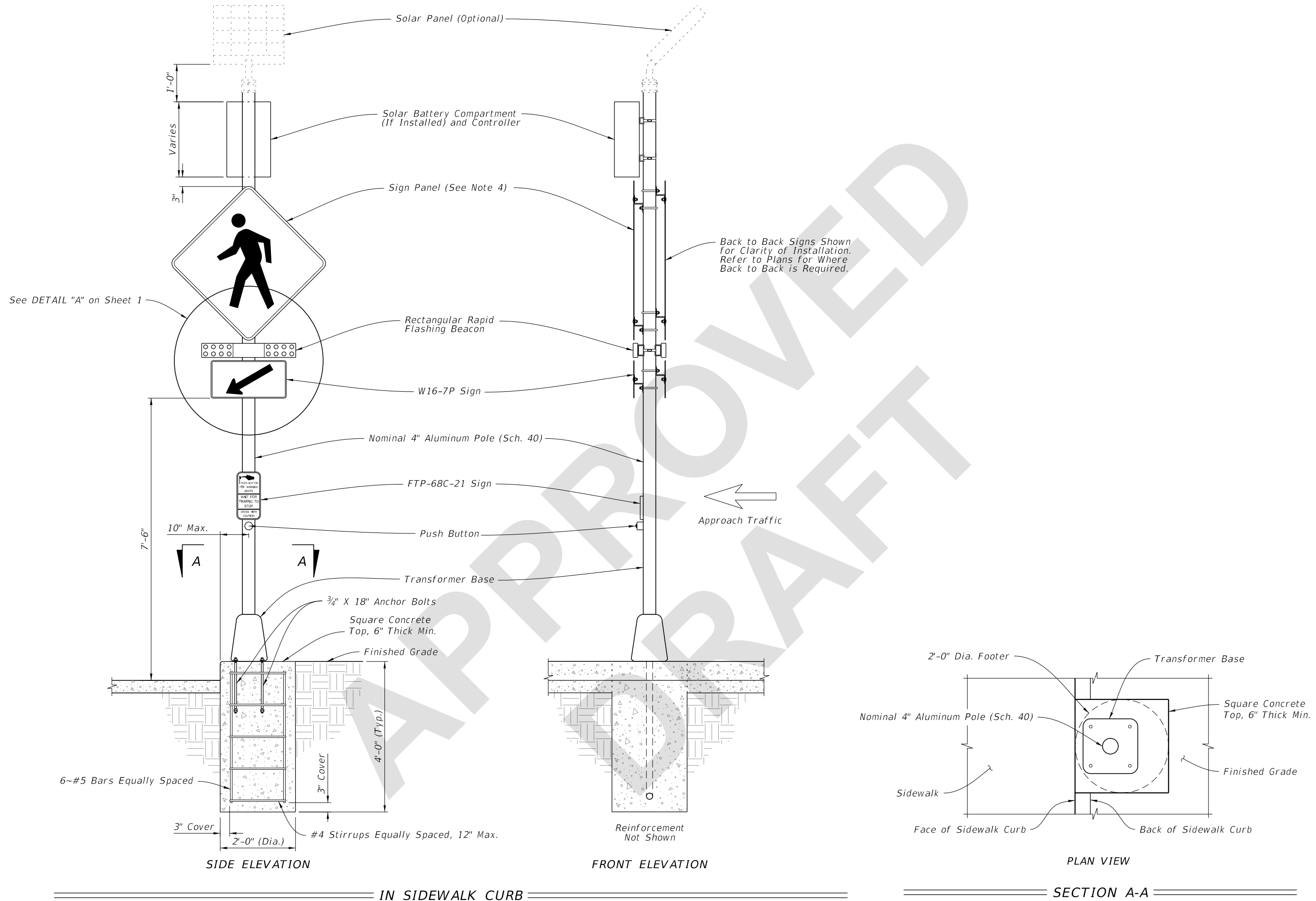


8/8/2023 2:40:36 PM

ADJACENT TO SIDEWALK

DETAIL "A"

LAST REVISION 11/01/23	REVISION	DESCRIPTION:		FY 2024-25 STANDARD PLANS	RECTANGULAR RAPID FLASHING BEACON ASSEMBLY	INDEX 654-001	SHEET 1 of 2
---------------------------	----------	--------------	--	------------------------------	--------------------------------------------	------------------	-----------------



8/8/2023 2:40:40 PM

LAST REVISION 11/01/23	REVISION	DESCRIPTION:		FY 2024-25 STANDARD PLANS	RECTANGULAR RAPID FLASHING BEACON ASSEMBLY	INDEX 654-001	SHEET 2 of 2
---------------------------	----------	--------------	--	------------------------------	--------------------------------------------	------------------	-----------------