
ORIGINATION FORM

Proposed Revisions to a Standard Plans Index

(Please provide all information — Incomplete forms will be returned)

Contact Information:

Date: June 5, 2023

Originator: Dino Jameson

Phone: (352) 955-2933

Email: dino.jameson@dot.state.fl.us

Standard Plans:

Index Number: 443-001

Sheet Number (s): 1 and 2 of 3

Index Title: French Drain

Summary of the changes:

Sheet 1: Updated GENERAL NOTE 3 "Install Type D-3 geotextile in accordance with Specification 514."; Changed all references of "Filter Fabric" to "Geotextile".

Sheet 2: Changed all references of "Filter Fabric" to "Geotextile".

Areas of the Standard Plans where 985 is referenced for drainage details needs to now reference Specs 514 (Division II specs). The Contractor is not responsible for the producer requirements division III specs, but ensure that the product used is on the APL and used for appropriate intended use. Specs 514 essentially does reference 985 to meet the materials requirement.

Commentary / Background:

In the July 2022 SSRBC workbook, construction requirements for the Contractor for geosynthetic materials from Section 985 was removed. The reason for it was that the construction requirements doesn't belong in Division III of the specifications, as this is for producer requirements. Instead of applying specific requirements to each individual specs that references 985 in Division II, the Department is going to modify specification 514 to cover geosynthetics used for drainage applications. Specs 145 covers the reinforcement (structural) applications and construction requirements and erosion control has specific requirements in various areas of Division II, therefore, both erosion and reinforcement are covered. The only missing link in Division II is the drainage applications. Proposed changes to 514 cover construction requirements and material acceptance. In addition, specs 514 ensures that the Contractor obtains geosynthetic product from a manufacturer that meets 985 spec requirements.

Other Affected Offices / Documents: (Provide name of person contacted)

- | Yes | No | |
|-------------------------------------|-------------------------------------|---|
| <input type="checkbox"/> | <input checked="" type="checkbox"/> | Other Standard Plans – |
| <input type="checkbox"/> | <input checked="" type="checkbox"/> | FDOT Design Manual – |
| <input type="checkbox"/> | <input checked="" type="checkbox"/> | Basis of Estimates Manual – |
| <input checked="" type="checkbox"/> | <input type="checkbox"/> | Standard Specifications – Various sections where 985 is referenced. |
| <input type="checkbox"/> | <input checked="" type="checkbox"/> | Approved Product List – |
| <input type="checkbox"/> | <input checked="" type="checkbox"/> | Construction – |
| <input type="checkbox"/> | <input checked="" type="checkbox"/> | Maintenance – |

Origination Package Includes: (Submit package to Rick Jenkins)

- | Yes | N/A | |
|-------------------------------------|-------------------------------------|---|
| <input checked="" type="checkbox"/> | <input type="checkbox"/> | Redline Mark-ups |
| <input type="checkbox"/> | <input checked="" type="checkbox"/> | Revised or Proposed Standard Plan Instruction (SPI) |
| <input checked="" type="checkbox"/> | <input type="checkbox"/> | Other Support Documents |

Implementation:

- | | |
|-------------------------------------|----------------------------------|
| <input type="checkbox"/> | Design Bulletin (Interim) |
| <input type="checkbox"/> | DCE Memo |
| <input type="checkbox"/> | Program Mgmt. Bulletin |
| <input checked="" type="checkbox"/> | FY-Standard Plans (Next Release) |

Contact the Roadway Design Office for assistance in completing this form

Email to: Rick Jenkins rick.jenkins@dot.state.fl.us and Darren Martin darren.martin@dot.state.fl.us

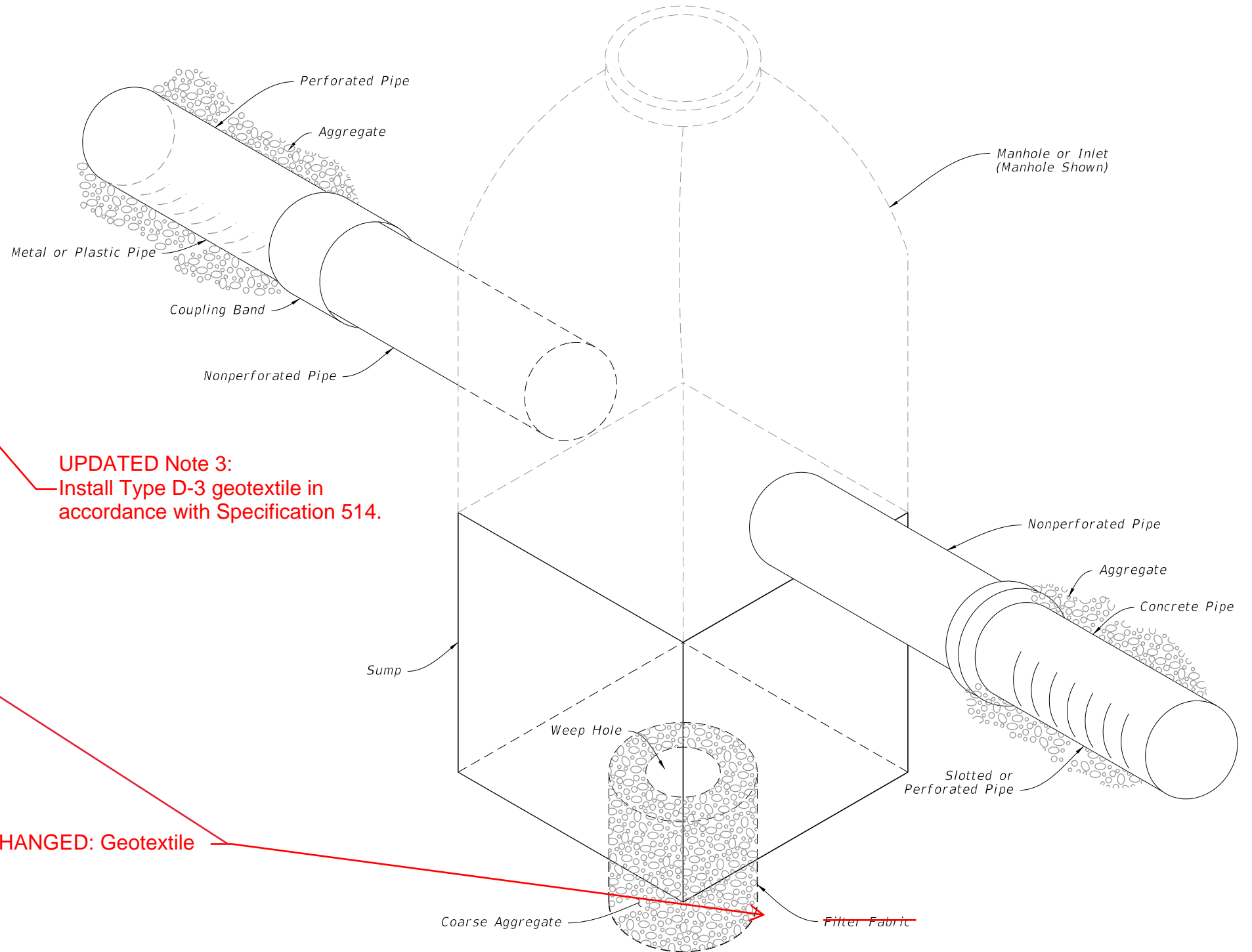
GENERAL NOTES:

1. Place concrete pipe with the slots positioned on sides.
2. Alignment joints are standard (gaskets not required). Recorrugation of metal pipe ends not required.
3. ~~Install Type D-3 filter fabric in accordance with Specification 985. Lap all filter fabric joints a minimum of one (1) foot.~~
4. Construct the standard cross section unless other section(s) described or detailed in the plans.
5. See Index 430-001 for supplemental details.
6. Take the necessary precautions to prevent contamination of the trench with sand, silt and foreign materials.

UPDATED Note 3:
Install Type D-3 geotextile in accordance with Specification 514.

CHANGED: Geotextile

TABLE OF CONTENTS:	
Sheet	Description
1	General Notes and Contents
2	French Drain System
3	Concrete Slotted Pipe Options



FRENCH DRAIN ASSEMBLY

10/20/2022 8:49:21 AM

11/01/23

LAST REVISION	11/01/19	REVISION		DESCRIPTION:	
---------------	---------------------	----------	--	--------------	--



FY 2023-24
STANDARD PLANS

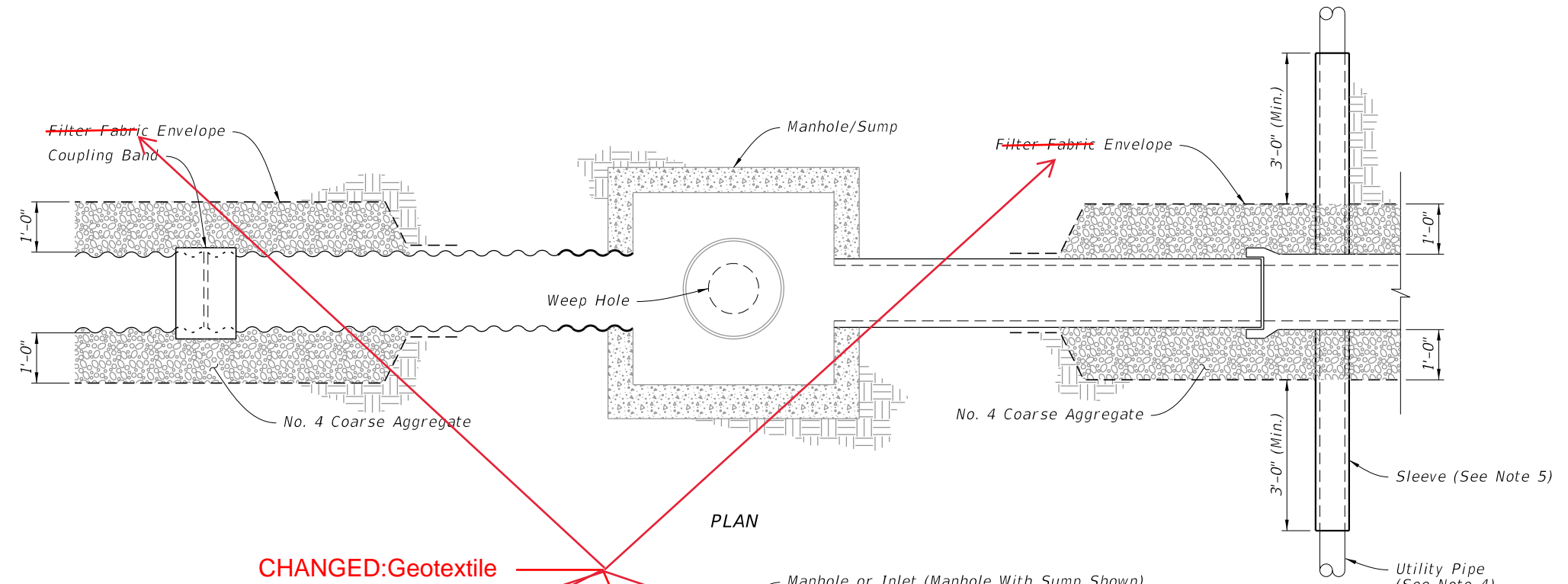
FRENCH DRAIN

INDEX
443-001

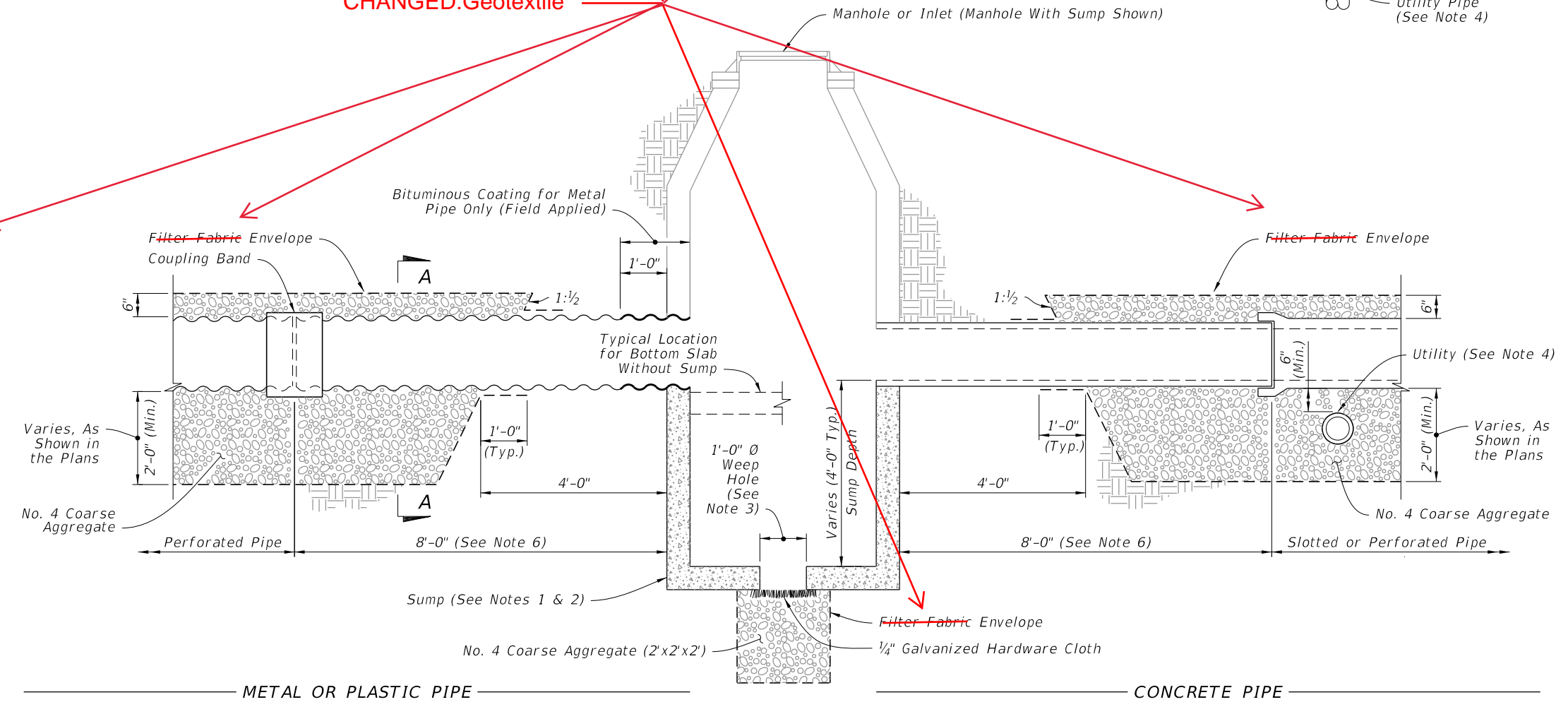
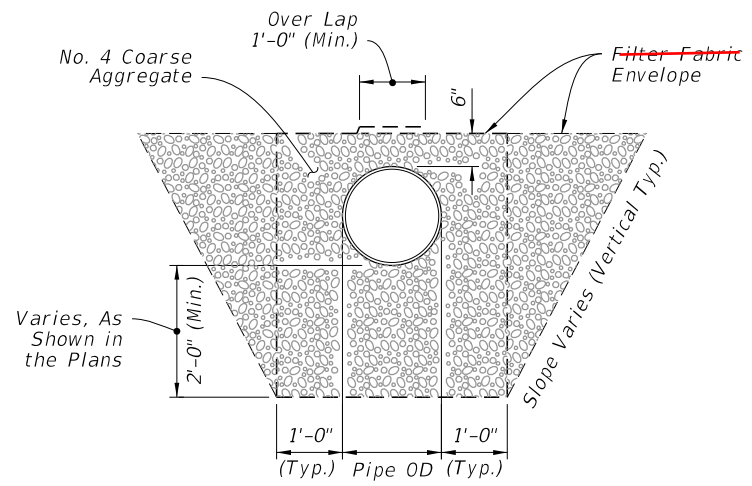
SHEET
1 of 3

NOTES:

1. Construct sumps unless excluded in the Plans.
2. For additional sump bottom information see Index 425-001.
3. Construct weep holes only where called for in the Plans.
4. Only cast and ductile iron sanitary sewer, or cast iron, ductile and steel water mains will be allowed to pass directly through french drain (without sleeve).
5. Use only steel, cast or ductile iron sleeves.
6. No slots or perforations.



CHANGED: Geotextile



FRENCH DRAIN
(Round Pipe Shown)

10/20/2022 8:49:21 AM

11/01/23

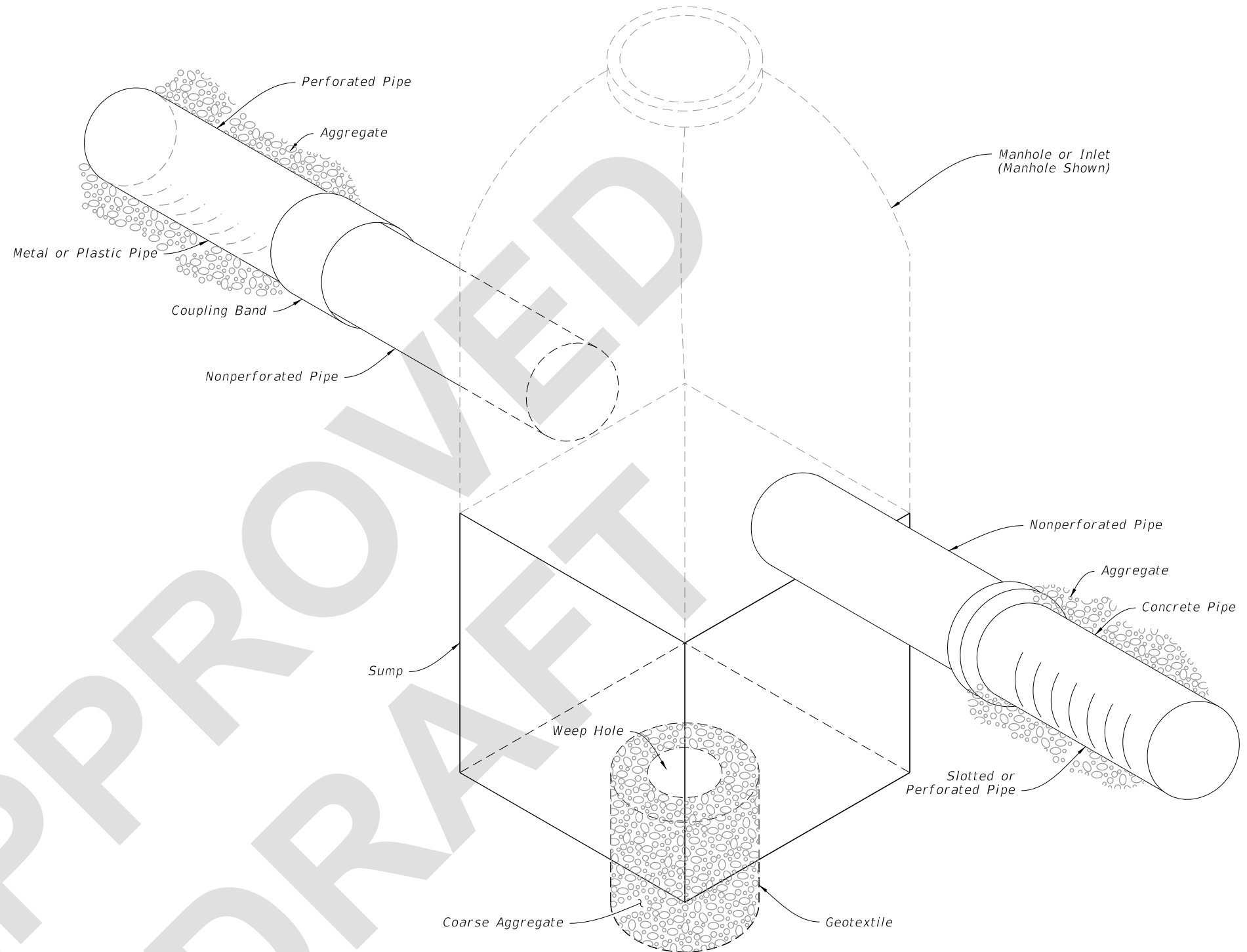
<p>LAST REVISION: 11/01/19</p>	<p>DESCRIPTION:</p>	<p>FY 2023-24 STANDARD PLANS</p>	<p>FRENCH DRAIN</p>	<p>INDEX 443-001</p>	<p>SHEET 2 of 3</p>
--------------------------------	---------------------	--------------------------------------	---------------------	--------------------------	-------------------------

FRENCH DRAIN SYSTEM

GENERAL NOTES:

1. Place concrete pipe with the slots positioned on sides.
2. Alignment joints are standard (gaskets not required). Recorrugation of metal pipe ends not required.
3. Install Type D-3 geotextile in accordance with Specification 514. Lap all geotextile joints a minimum of one (1) foot.
4. Construct the standard cross section unless other section(s) described or detailed in the plans.
5. See Index 430-001 for supplemental details.
6. Take the necessary precautions to prevent contamination of the trench with sand, silt and foreign materials.

TABLE OF CONTENTS:	
Sheet	Description
1	General Notes and Contents
2	French Drain System
3	Concrete Slotted Pipe Options

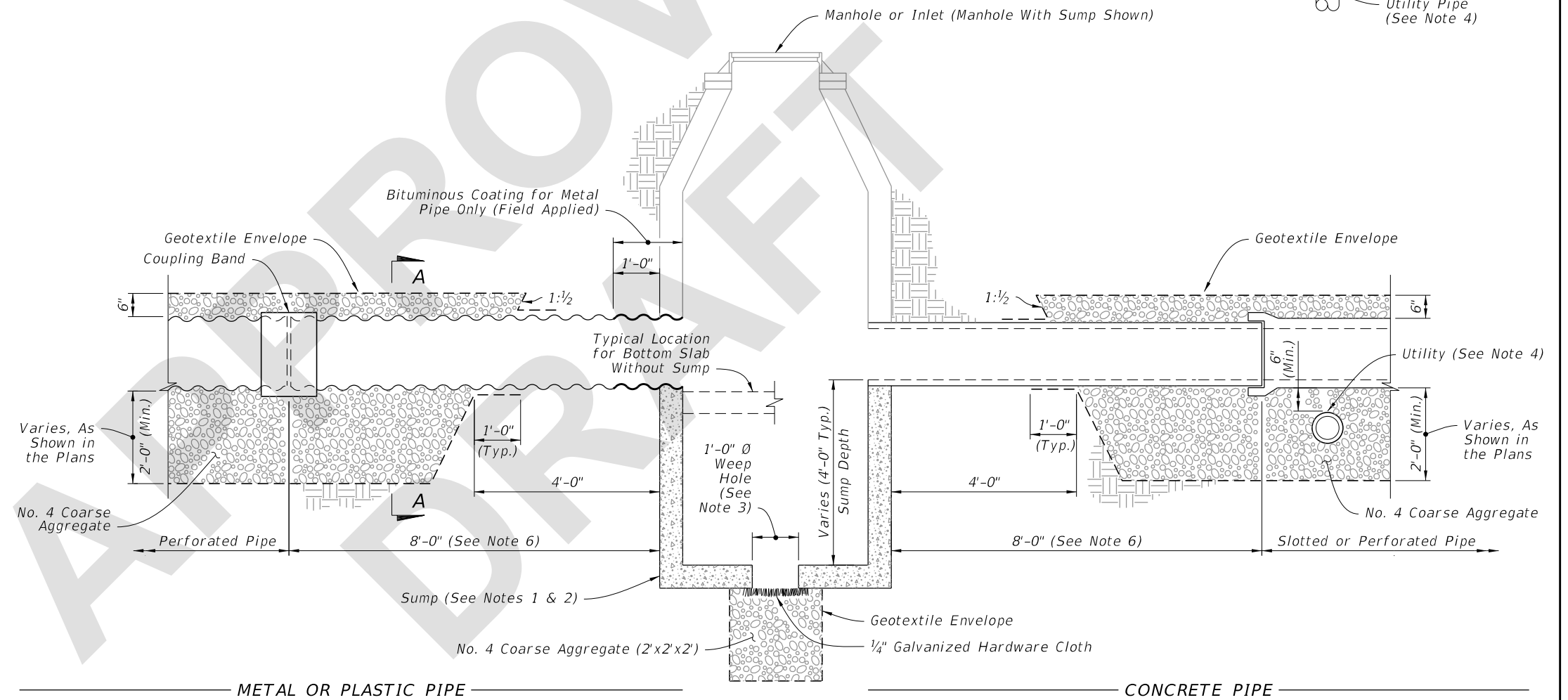
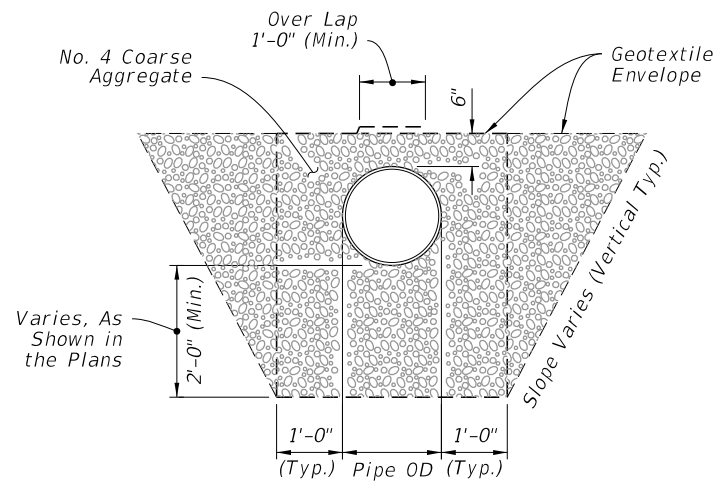
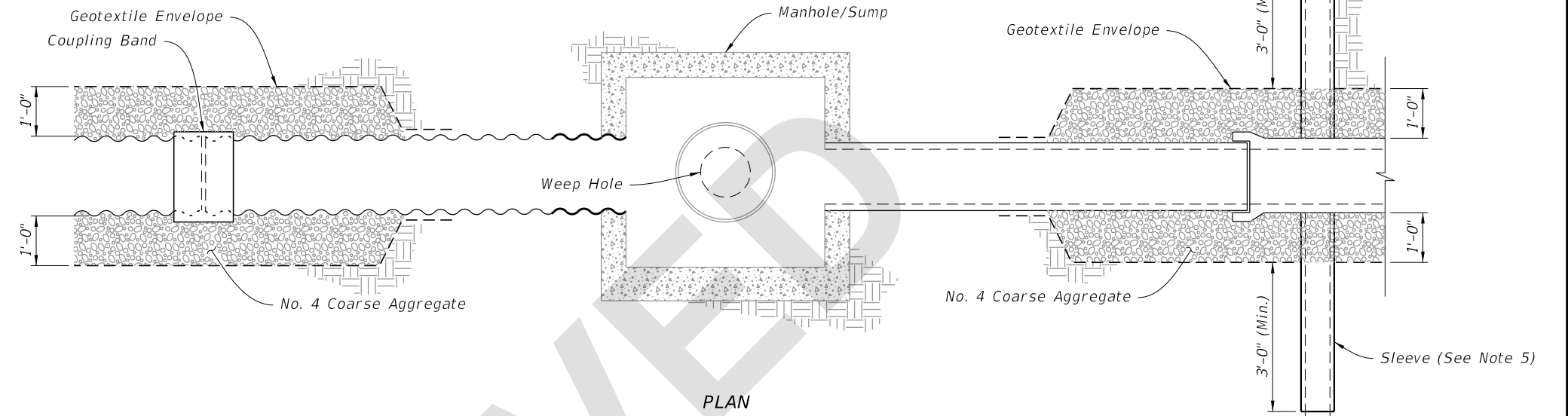


APPROVED DRAFT

7/5/2023 7:13:59 AM

NOTES:


1. Construct sumps unless excluded in the Plans.
2. For additional sump bottom information see Index 425-001.
3. Construct weep holes only where called for in the Plans.
4. Only cast and ductile iron sanitary sewer, or cast iron, ductile and steel water mains will be allowed to pass directly through french drain (without sleeve).
5. Use only steel, cast or ductile iron sleeves.
6. No slots or perforations.



FRENCH DRAIN
(Round Pipe Shown)

6/28/2023 8:07:35 AM

FRENCH DRAIN SYSTEM

LAST REVISION 11/01/23	DESCRIPTION:	 FY 2024-25 STANDARD PLANS	FRENCH DRAIN	INDEX 443-001	SHEET 2 of 3
---------------------------	--------------	---	---------------------	-------------------------	------------------------