
ORINATION FORM

Proposed Revisions to a Standard Plans Index

(Please provide all information — Incomplete forms will be returned)

Contact Information:

Date: June 17, 2022

Originator: Matt DeWitt

Phone: (850) 921-7353

Email: Matthew.DeWitt@dot.state.fl.us**Standard Plans:**

Index Number: 700-120

Sheet Number (s): 9 of 11

Index Title: Enhanced Highway Signing Assemblies

Summary of the changes:

Added Solar Power Assembly details; Updated call out references; Updated Notes.

Commentary / Background:

The solar power assembly and battery unit for the wrong way vehicle detection is larger and more powerful than the one that is used for a typical enhanced highway signing assembly. As a result, the solar panel must be ground mounted and a ground mounted uninterruptible power supply (UPS) cabinet must be provided. Both the solar panel and the UPS cabinet must be installed close to the right of way line, outside the clear zone.

Other Affected Offices / Documents: (Provide name of person contacted)

- | Yes | No | |
|--------------------------|-------------------------------------|-----------------------------|
| <input type="checkbox"/> | <input checked="" type="checkbox"/> | Other Standard Plans – |
| <input type="checkbox"/> | <input checked="" type="checkbox"/> | FDOT Design Manual – |
| <input type="checkbox"/> | <input checked="" type="checkbox"/> | Basis of Estimates Manual – |
| <input type="checkbox"/> | <input checked="" type="checkbox"/> | Standard Specifications – |
| <input type="checkbox"/> | <input checked="" type="checkbox"/> | Approved Product List – |
| <input type="checkbox"/> | <input checked="" type="checkbox"/> | Construction – |
| <input type="checkbox"/> | <input checked="" type="checkbox"/> | Maintenance – |

Origination Package Includes: (Submit package to Rick Jenkins)

- | Yes | N/A | |
|-------------------------------------|--------------------------|---|
| <input checked="" type="checkbox"/> | <input type="checkbox"/> | Redline Mark-ups |
| <input type="checkbox"/> | <input type="checkbox"/> | Revised or Proposed Standard Plan Instruction (SPI) |
| <input type="checkbox"/> | <input type="checkbox"/> | Other Support Documents |

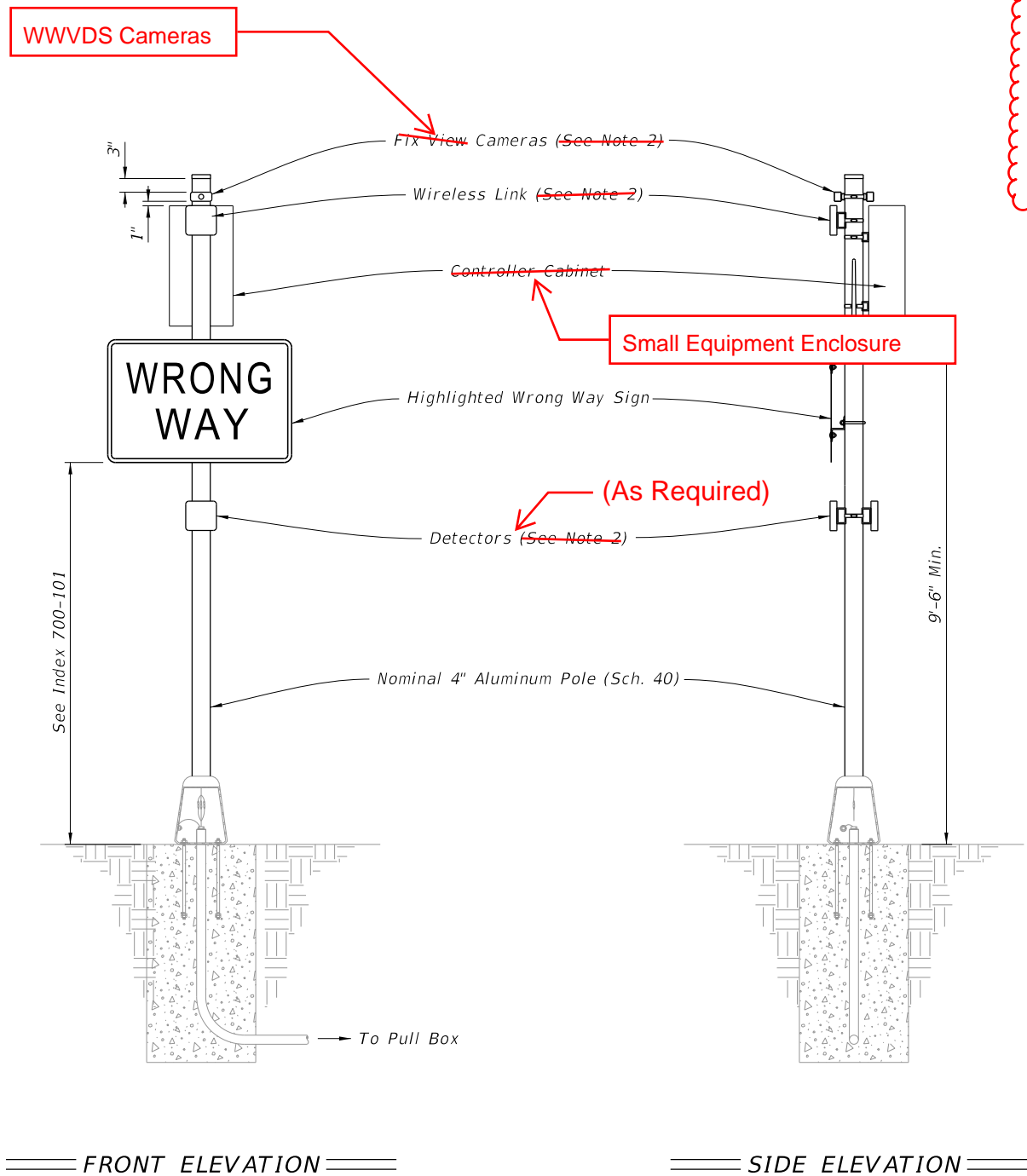
Implementation:

- | | |
|-------------------------------------|----------------------------------|
| <input type="checkbox"/> | Design Bulletin (Interim) |
| <input type="checkbox"/> | DCE Memo |
| <input type="checkbox"/> | Program Mgmt. Bulletin |
| <input checked="" type="checkbox"/> | FY-Standard Plans (Next Release) |

Contact the Roadway Design Office for assistance in completing this form

Email to: Rick Jenkins rick.jenkins@dot.state.fl.us and Darren Martin darren.martin@dot.state.fl.us

10/09:47 AM
10/22/2021



ADDED:
Solar Power Assembly Details

UPDATED NOTES:

1. Install Wrong Way Vehicle Detections System (WWVDS) devices including cameras, detectors, wireless links, antennas, enclosures, and electronics in accordance with the manufacturer's instructions.
2. When a solar powered configuration (Type B7) is called for in the Plans, install a ground mounted cabinet and solar power panel assembly. Install the solar charge controller and batteries in the same ground mounted cabinet. Provide a separate pole for mounting the solar panel (DETAIL 'B' shown for illustration purposes only) and install in accordance with manufacturer's instructions. Locate the Solar Power Assembly as close to the right of way as possible. Orient the solar panel to face South.

NOTES:

- ~~1. Type A7 Assembly (Conventionally Powered) is shown.~~
- ~~2. Install cameras, wireless link, detectors, and antennas in accordance with the manufacturer's instructions.~~
- ~~3. For solar powered assemblies, install controller and batteries in the same ground mounted cabinet. Install a separate pole for mounting the solar panel. Install the solar panel pole and cabinet as close to the right of way boundary as possible. Orient solar panel to face South.~~
3. Foundation reinforcement not shown.

NEW NOTE 5:
5. See Index 676-010 for cabinet installation details.

LAST REVISION	DESCRIPTION:
11/01/21	11/01/22



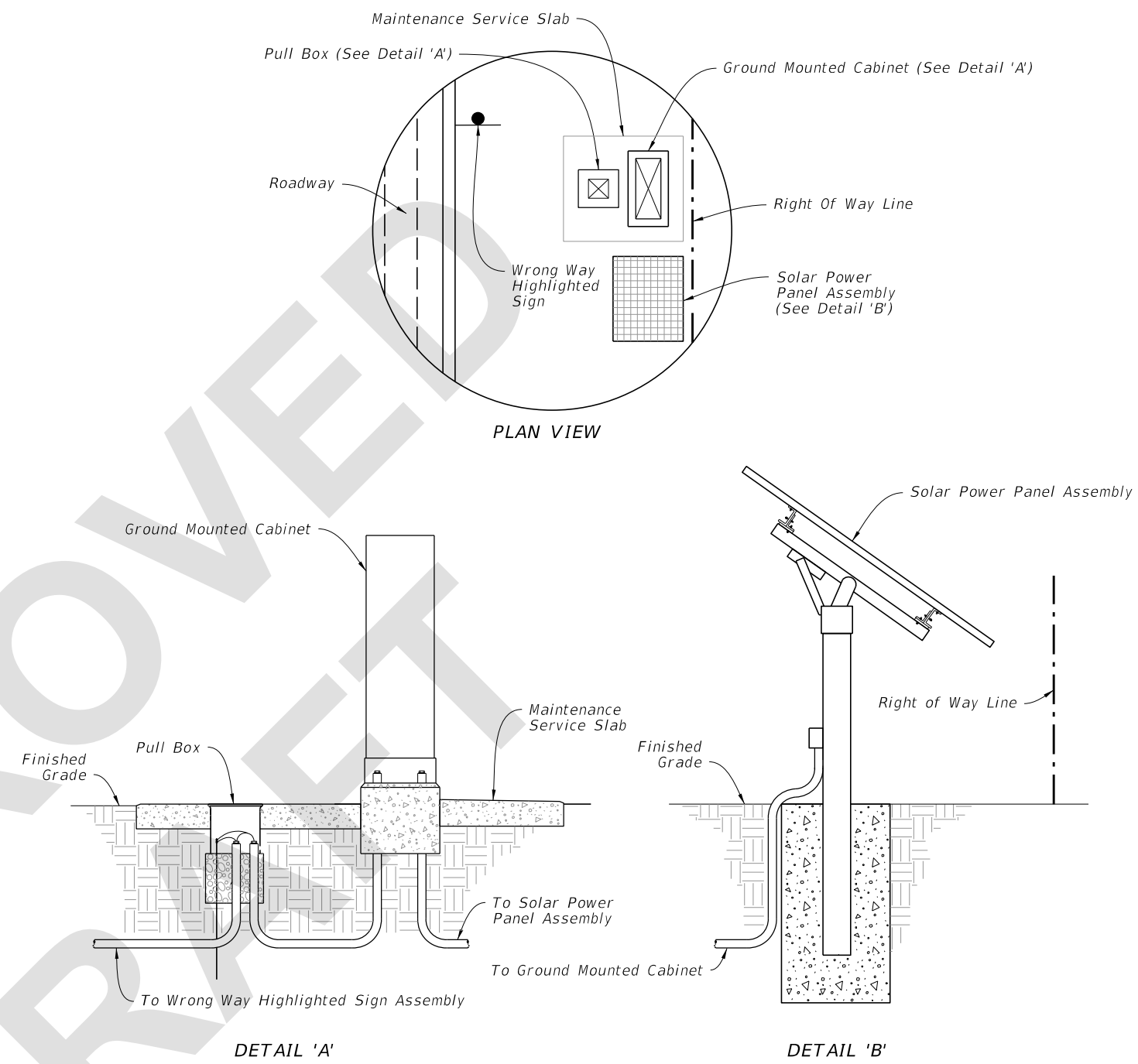
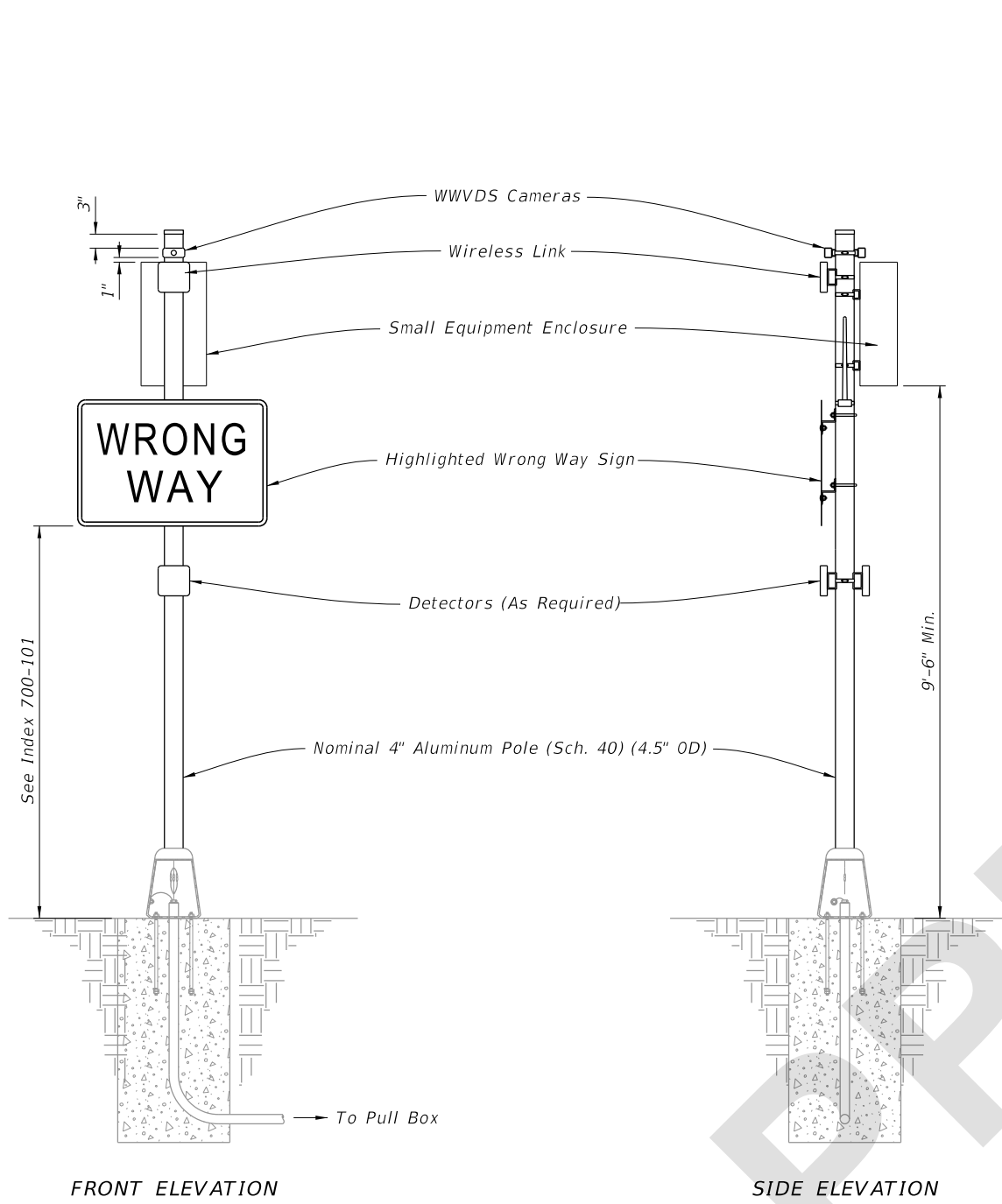
FY 2022-23
STANDARD PLANS

ENHANCED HIGHWAY SIGNING ASSEMBLIES

INDEX
700-120

SHEET
9 of 11

ROADSIDE SIGN ASSEMBLY-7



WRONG WAY HIGHLIGHTED SIGN ASSEMBLY

SOLAR POWER ASSEMBLY

NOTES:

1. Install Wrong Way Vehicle Detection System (WWVDS) devices including cameras, detectors, wireless links, antennas, enclosures, and electronics in accordance with the manufacturer's instructions.
2. When a solar powered configuration (Type B7) is called for in the Plans, install a ground mounted cabinet and solar power panel assembly. Install the solar charge controller and batteries in the same ground mounted cabinet. Provide a separate pole for mounting the solar panel (DETAIL 'B' shown for illustration purposes only) and install in accordance with manufacturer's instructions. Locate the Solar Power Assembly as close to the right of way as possible. Orient the solar panel to face South.
3. Foundation reinforcement not shown.
4. Install cabinets in accordance with Index 676-010.

ROADSIDE SIGN ASSEMBLY-7

9/1/2022 7:33:30 AM

LAST REVISION 11/01/22	REVISION	DESCRIPTION:	 FY 2023-24 STANDARD PLANS	ENHANCED HIGHWAY SIGNING ASSEMBLIES	INDEX 700-120	SHEET 9 of 11
---------------------------	----------	--------------	--	--	-------------------------	-------------------------