

---

## ORIGINATION FORM

---

### Proposed Revisions to a Standard Plans Index

(Please provide all information — Incomplete forms will be returned)

**Contact Information:**

Date: May 12, 2022

Originator: Rick Jenkins

Phone: (850) 414-4355

Email: Rick.Jenkins@dot.state.fl.us

**Standard Plans:**

Index Number: 700-091

Sheet Number (s): 1 of 3

Index Title: Catwalk Details

**Summary of the changes:**

Updated General Note 1 - "Meet the requirements of Specification 700."; Deleted Note 9 through 11; Renumbered General Notes.

**Commentary / Background:**

The 700 Index Series is being edited to remove material information and other information that is located in the Standard Specifications. Revisions are being made to Specification Sections 700, 962 and 965 in conjunction with these changes.

**Other Affected Offices / Documents: (Provide name of person contacted)**

- | Yes                                 | No                                  |   |
|-------------------------------------|-------------------------------------|---|
| <input checked="" type="checkbox"/> | <input type="checkbox"/>            | Other Standard Plans –                      |
| <input type="checkbox"/>            | <input checked="" type="checkbox"/> | FDOT Design Manual – Dewayne Carver         |
| <input checked="" type="checkbox"/> | <input type="checkbox"/>            | Basis of Estimates Manual – Ryan Gray       |
| <input checked="" type="checkbox"/> | <input type="checkbox"/>            | Standard Specifications – Daniel Strickland |
| <input type="checkbox"/>            | <input checked="" type="checkbox"/> | Approved Product List – Missy Hollis        |
| <input type="checkbox"/>            | <input checked="" type="checkbox"/> | Construction – Jason Russell                |
| <input type="checkbox"/>            | <input checked="" type="checkbox"/> | Maintenance – Deanna Hutchison              |

**Origination Package Includes:** (Submit package to Rick Jenkins)

- | Yes                                 | N/A                      |   |
|-------------------------------------|--------------------------|---|
| <input checked="" type="checkbox"/> | <input type="checkbox"/> | Redline Mark-ups                                    |
| <input type="checkbox"/>            | <input type="checkbox"/> | Revised or Proposed Standard Plan Instruction (SPI) |
| <input type="checkbox"/>            | <input type="checkbox"/> | Other Support Documents                             |

**Implementation:**

- |                                     |                                  |
|-------------------------------------|----------------------------------|
| <input type="checkbox"/>            | Design Bulletin (Interim)        |
| <input type="checkbox"/>            | DCE Memo                         |
| <input type="checkbox"/>            | Program Mgmt. Bulletin           |
| <input checked="" type="checkbox"/> | FY-Standard Plans (Next Release) |

---

Contact the Roadway Design Office for assistance in completing this form

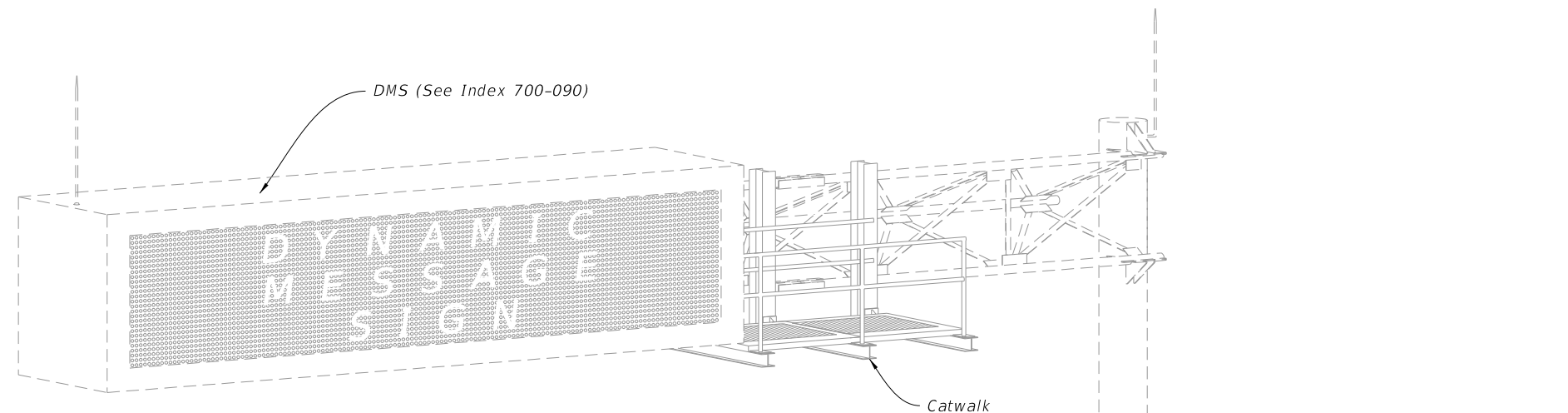
---

Email to: Rick Jenkins [rick.jenkins@dot.state.fl.us](mailto:rick.jenkins@dot.state.fl.us) and Darren Martin [darren.martin@dot.state.fl.us](mailto:darren.martin@dot.state.fl.us)

**GENERAL NOTES:**

**UPDATED NOTE: Meet the requirements of Specification 700.**

- ~~1. Work this Index with Specification 700.~~
2. Shop Drawings are required:
  - A. Provide length as shown in the Plans
  - B. Design in accordance with AISC, AASHTO, and OSHA requirements
  - B. Do not start fabrication until the shop drawings are approved
3. Catwalk hangers must be positioned to avoid conflicts with the sign structure truss and gusset plates. Place walkway close to the sign with a maximum open distance from walkway grate to DMS sign of 1/2".
4. Maximum spacing of Catwalk hanger supports is 5'-0". Cantilever ends of grating is 8".
5. Galvanized steel catwalk grating meeting the requirements of Specification 504-2.3. Must Support a 90 psf load and have a 3 1/2" minimum toe kick. Attach grating in accordance with the manufacturer's instructions using stainless steel or galvanized fasteners.
6. Supply and install an OSHA 1910 compliant, self closing, hot dip galvanized safety gate. Install per manufactures instructions.
7. Chain link fabric options (2" mesh with knuckled selvage top and bottom for all options):
  - A. AASHTO M181 Type I - Zinc Coated Steel, No. 9 gage (coated wire diameter), coated at the rate of 1.8 oz./ft<sup>2</sup>. (M181 Class D 2.0 oz./ft<sup>2</sup>. modified to 1.8 oz./ft<sup>2</sup>).
  - B. AASHTO M181 Type II -Aluminum Coated Steel, No. 9 gage (coated wire diameter), coated at the rate of 0.40 oz./ft<sup>2</sup>.



~~9. Welding:~~

~~E70XX~~

~~10. Materials:~~

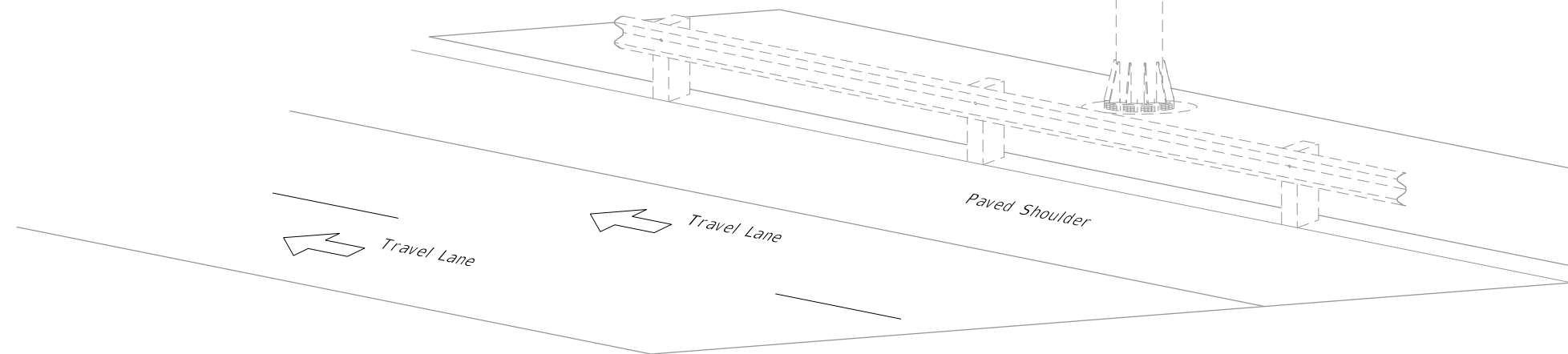
- ~~A. Steel Plates ASTM A 36 or A709 Grade 36.~~
- ~~B. W- Sections: ASTM A572 Grade 36 or 50.~~
- ~~C. Steel Pipe Railings or Structural Tubing: Specification 962~~
- ~~D. High Strength Bolts, Nuts and Washers: Specification 962~~
- ~~E. U-Bolts, nuts and washers: Specification 962~~

~~11. Coatings/Galvanizing:~~

~~Hot dip galvanize support frame after fabrication and galvanize non-stainless steel fasteners in accordance with Specification 962.~~

**DELETED**

**GENERAL COMMENT: Some material information was deleted. Information is either already covered in Standard Specifications OR will be added to Section 700, 962 or 965 in conjunction with these revisions.**



**CATWALK ASSEMBLY**  
(Cantilever Shown, Span Similar)

**TABLE OF CONTENTS:**

Sheet	Description
1	General Notes and Content
2	General Assembly and Fixed Base Details
3	Walkway Support Details

9/22/2021 2:55:26 PM

LAST REVISION	DESCRIPTION:
<del>11/01/21</del>	<del>11/01/21</del>
11/01/22	11/01/22



FY 2022-23  
STANDARD PLANS

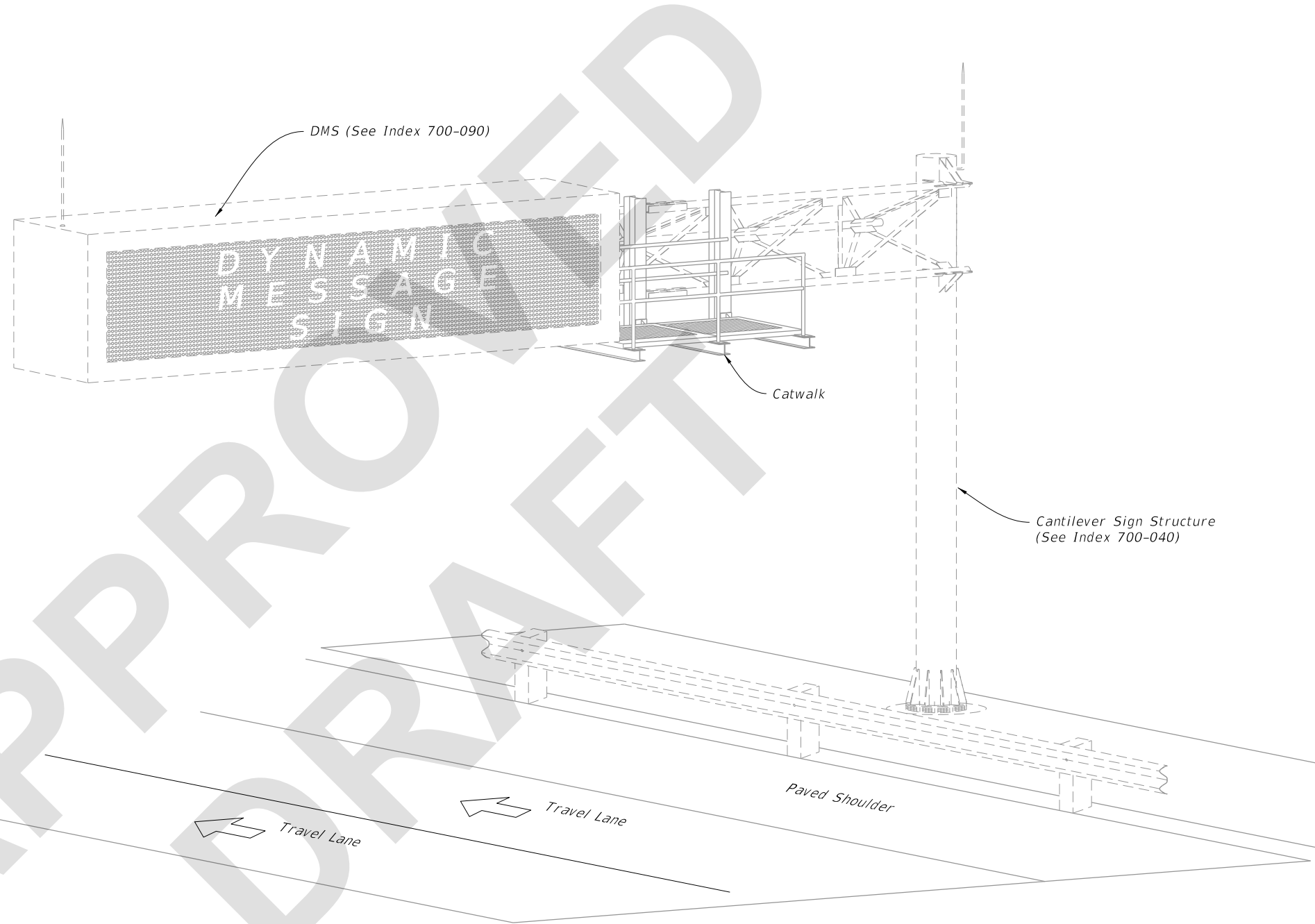
CATWALK DETAILS

INDEX  
700-091

SHEET  
1 of 3

**GENERAL NOTES:**

1. Meet the requirements of Specification 700.
2. Shop Drawings are required:
  - A. Provide length as shown in the Plans
  - B. Design in accordance with AISC, AASHTO, and OSHA requirements
  - C. Do not start fabrication until the shop drawings are approved
3. Catwalk hangers must be positioned to avoid conflicts with the sign structure truss and gusset plates. Place walkway close to the sign with a maximum open distance from walkway grate to DMS sign of 1/2".
4. Maximum spacing of Catwalk hanger supports is 5'-0". Cantilever ends of grating is 8".
5. Galvanized steel catwalk grating meeting the requirements of Specification 504-2.3. Must support a 90 psf load and have a 3 1/2" minimum toe kick. Attach grating in accordance with the manufacturer's instructions using stainless steel or galvanized fasteners.
6. Supply and install an OSHA 1910 compliant, self closing, hot dip galvanized safety gate. Install per manufactures instructions.
7. Chain link fabric options (2" mesh with knuckled selvage top and bottom for all options):
  - A. AASHTO M181 Type I - Zinc Coated Steel, No. 9 gage (coated wire diameter), coated at the rate of 1.8 oz./ft<sup>2</sup>. (M181 Class D 2.0 oz./ft<sup>2</sup>, modified to 1.8 oz./ft<sup>2</sup>).
  - B. AASHTO M181 Type II - Aluminum Coated Steel, No. 9 gage (coated wire diameter), coated at the rate of 0.40 oz./ft<sup>2</sup>.
8. Install 2" NPS (Sch. 40) guiderail and posts: ASTM A53 Grade B for standard weight pipe.



**CATWALK ASSEMBLY**  
(Cantilever Shown, Span Similar)

TABLE OF CONTENTS:	
Sheet	Description
1	General Notes and Content
2	General Assembly and Fixed Base Details
3	Walkway Support Details

5/26/2022 9:48:46 AM