
ORIGINATION FORM

Proposed Revisions to a Standard Plans Index

(Please provide all information — Incomplete forms will be returned)

Contact Information:

Date: May 12, 2022

Originator: Rick Jenkins

Phone: (850) 414-4355

Email: Rick.Jenkins@dot.state.fl.us

Standard Plans:

Index Number: 700-031

Sheet Number (s): 2 of 2

Index Title: External Lighting for Signs

Summary of the changes:

Added Note 1 - "Meet the requirements of Specification 700"; Deleted Note 2 and 3; Renumbered Notes.

Commentary / Background:

The 700 Index Series is being edited to remove material information and other information that is located in the Standard Specifications. Revisions are being made to Specification Sections 700, 962 and 965 in conjunction with these changes.

Other Affected Offices / Documents: (Provide name of person contacted)

- | Yes | No | |
|-------------------------------------|-------------------------------------|---|
| <input checked="" type="checkbox"/> | <input type="checkbox"/> | Other Standard Plans – |
| <input type="checkbox"/> | <input checked="" type="checkbox"/> | FDOT Design Manual – Dewayne Carver |
| <input checked="" type="checkbox"/> | <input type="checkbox"/> | Basis of Estimates Manual – Ryan Gray |
| <input checked="" type="checkbox"/> | <input type="checkbox"/> | Standard Specifications – Daniel Strickland |
| <input type="checkbox"/> | <input checked="" type="checkbox"/> | Approved Product List – Missy Hollis |
| <input type="checkbox"/> | <input checked="" type="checkbox"/> | Construction – Jason Russell |
| <input type="checkbox"/> | <input checked="" type="checkbox"/> | Maintenance – Deanna Hutchison |

Origination Package Includes: (Submit package to Rick Jenkins)

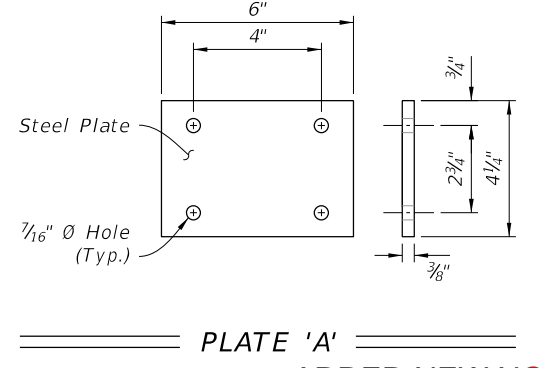
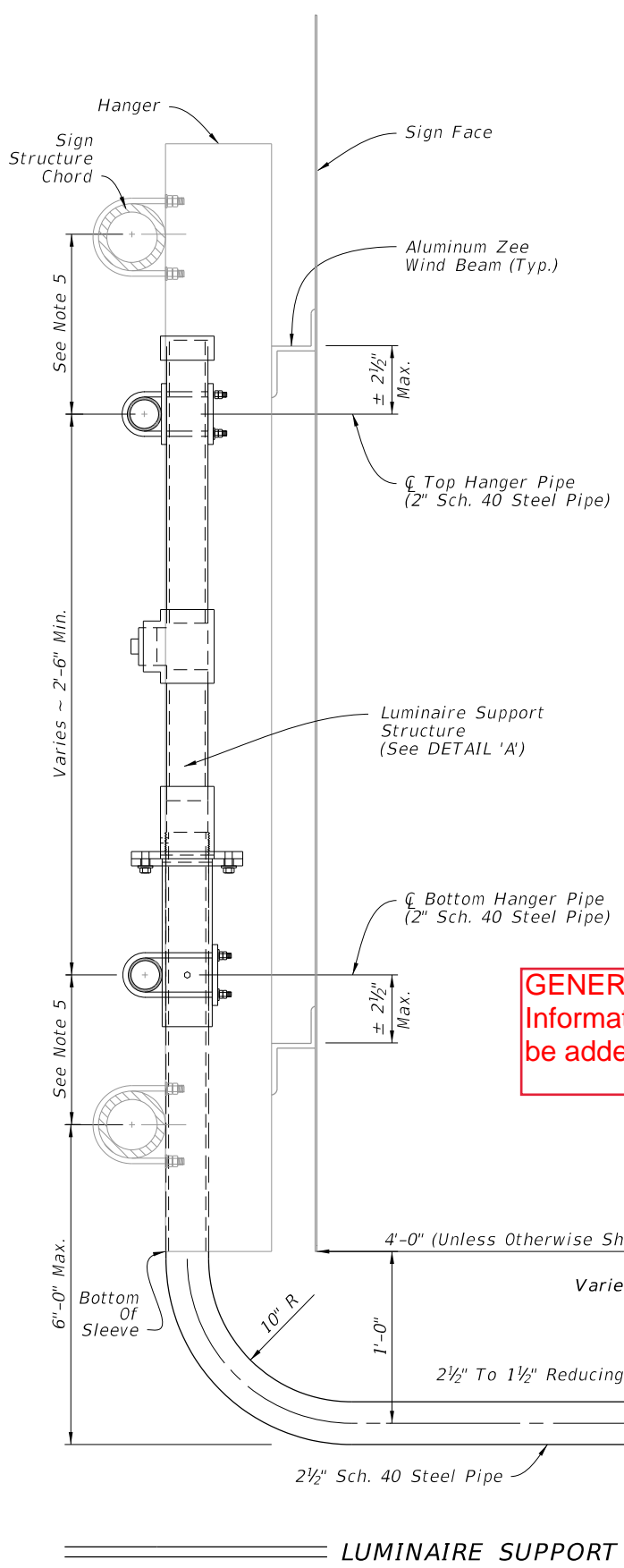
- | Yes | N/A | |
|-------------------------------------|--------------------------|---|
| <input checked="" type="checkbox"/> | <input type="checkbox"/> | Redline Mark-ups |
| <input type="checkbox"/> | <input type="checkbox"/> | Revised or Proposed Standard Plan Instruction (SPI) |
| <input type="checkbox"/> | <input type="checkbox"/> | Other Support Documents |

Implementation:

- | | |
|-------------------------------------|----------------------------------|
| <input type="checkbox"/> | Design Bulletin (Interim) |
| <input type="checkbox"/> | DCE Memo |
| <input type="checkbox"/> | Program Mgmt. Bulletin |
| <input checked="" type="checkbox"/> | FY-Standard Plans (Next Release) |

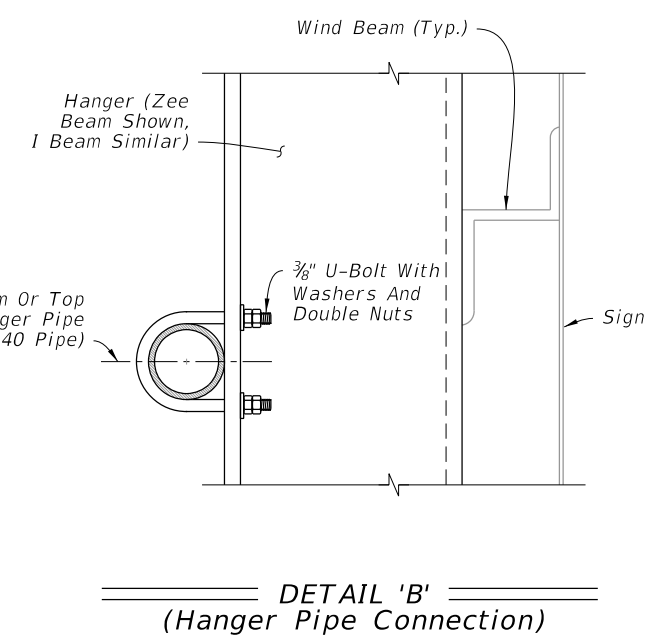
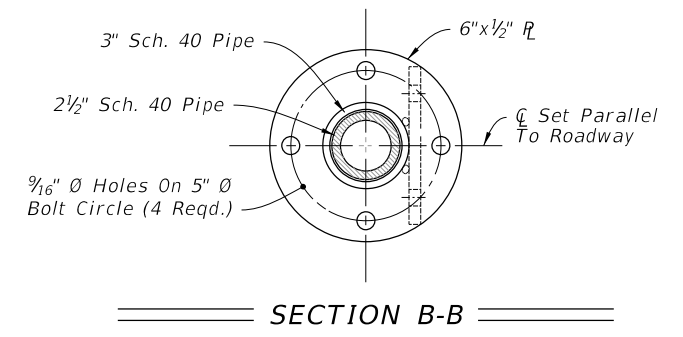
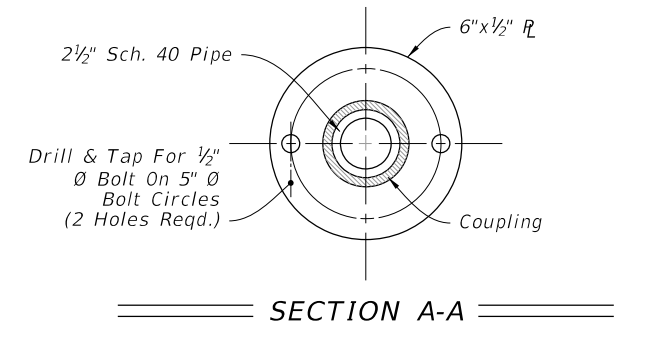
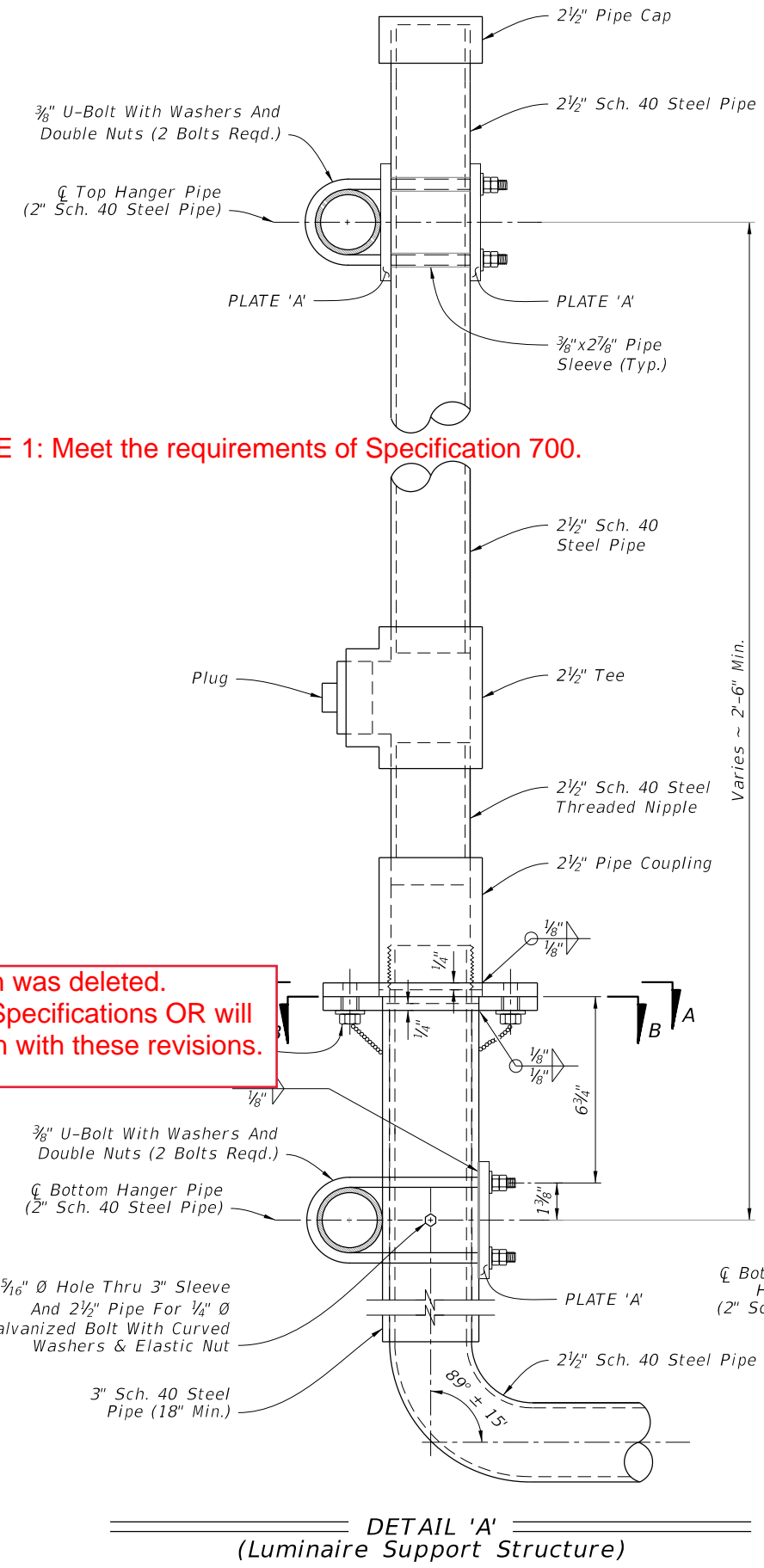
Contact the Roadway Design Office for assistance in completing this form

Email to: Rick Jenkins rick.jenkins@dot.state.fl.us and Darren Martin darren.martin@dot.state.fl.us



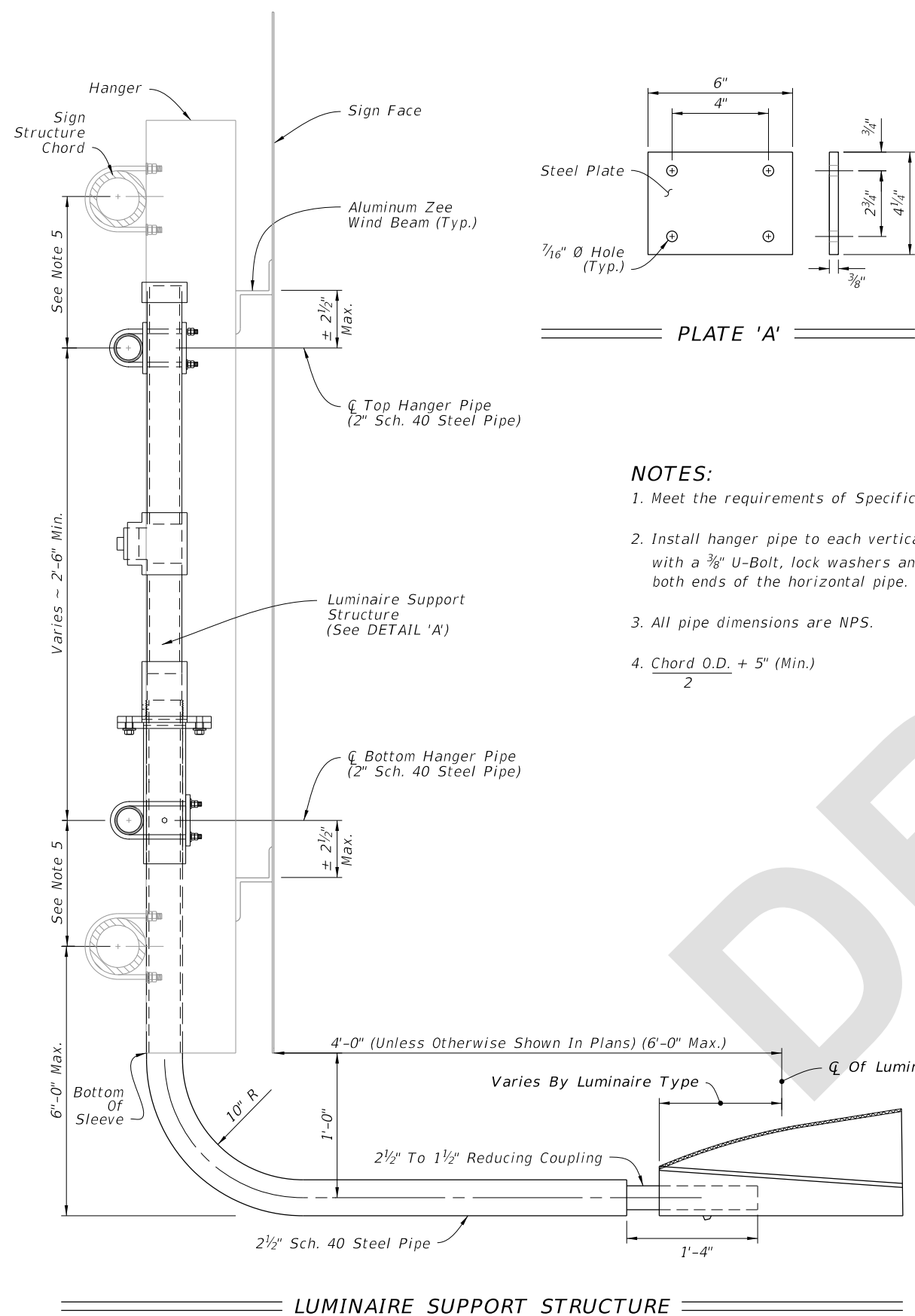
- ADDED NEW NOTE 1: Meet the requirements of Specification 700.**
- 1. NOTES**
1. ~~Install hanger pipe to each vertical beam crossed with a 3/8" U-Bolt, lock washers and hex nuts. Cap both ends of the horizontal pipe.~~
 2. ~~Materials;
A. Steel Pipe: ASTM A53 (Grade A or B)
B. Steel Plate: ASTM A36
C. Bolts: ASTM A307
D. Hex Nuts: ASTM A563
E. Washers: ASTM F436~~
 3. ~~Coating: Hot-Dip Galvanize pipes, plates, structural shapes: ASTM A123. Fasteners and hardware: ASTM A153.~~
 3. ~~All pipe dimensions are NPS.~~
 4. ~~Chord O.D. + 5" (Min.)~~

GENERAL COMMENT: Some material information was deleted. Information is either already covered in Standard Specifications OR will be added to Section 700, 962 or 965 in conjunction with these revisions.

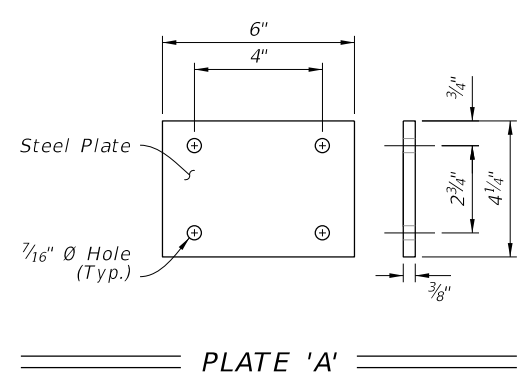


9/22/2021 1:51:59 PM

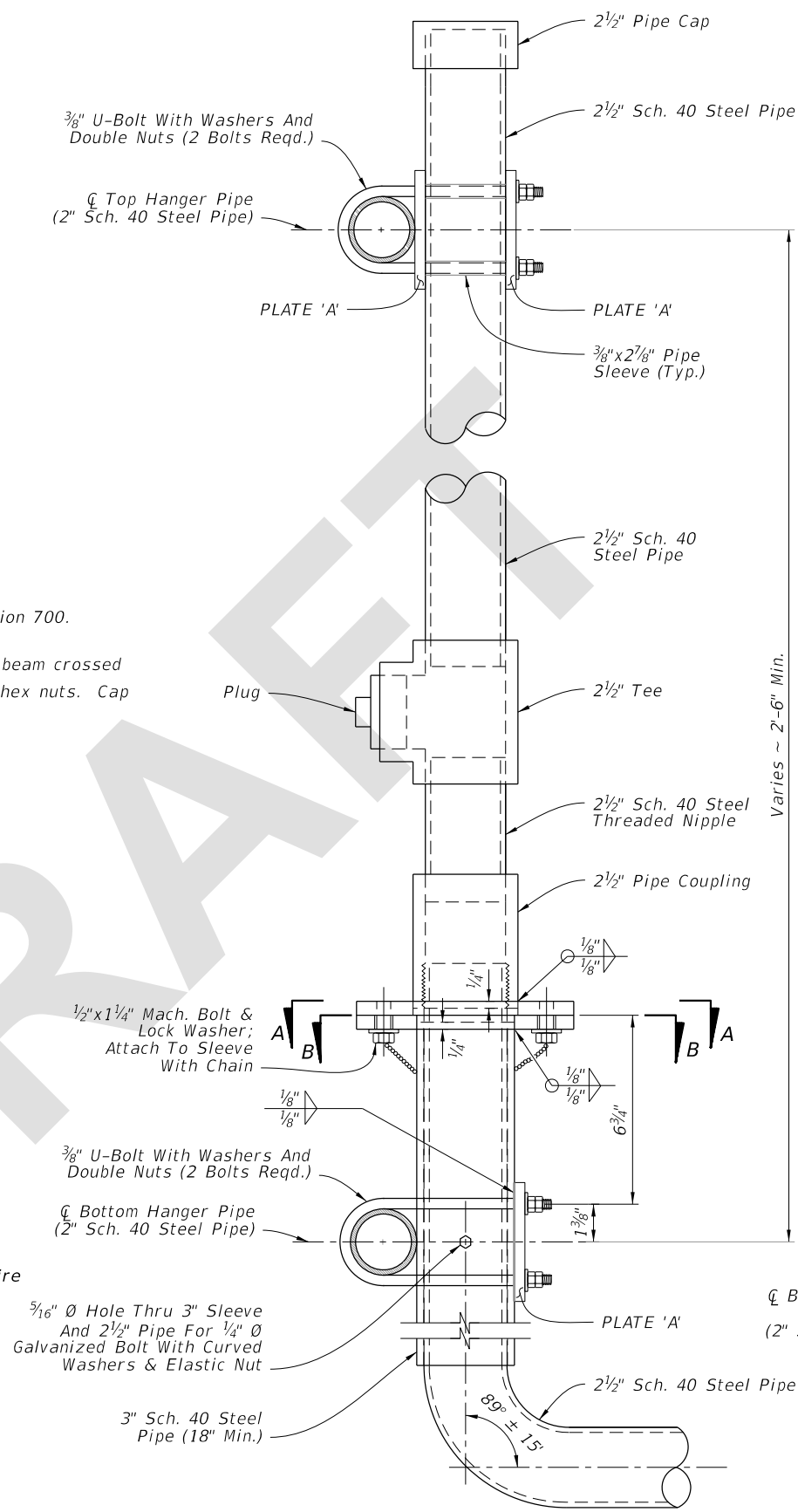
LAST REVISION	DESCRIPTION:
11/01/17	← 11/01/22



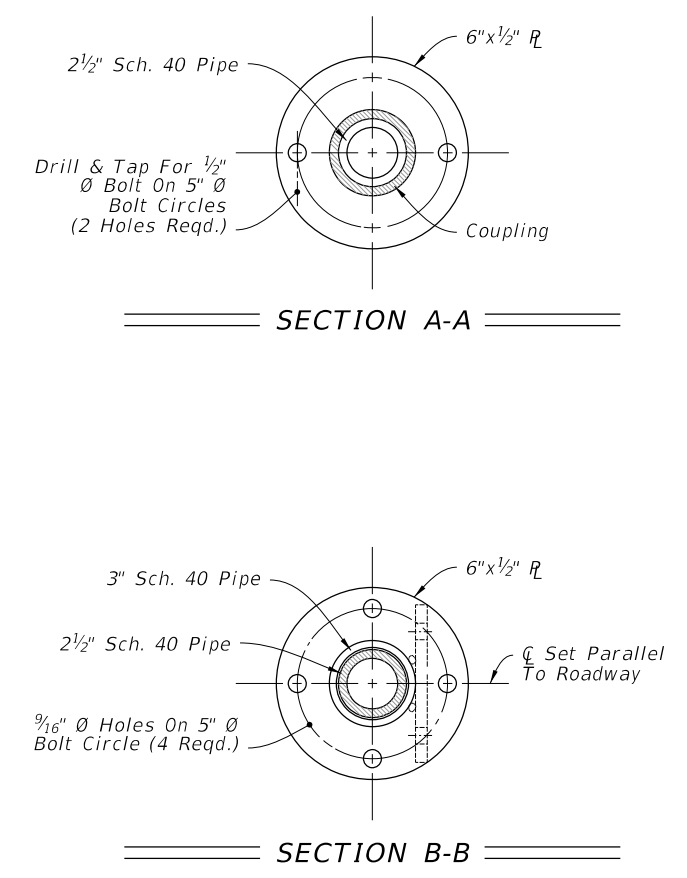
LUMINAIRE SUPPORT STRUCTURE



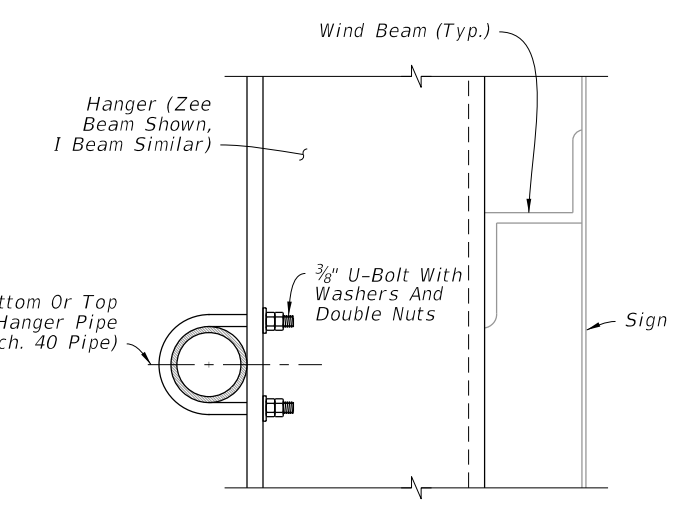
- NOTES:**
1. Meet the requirements of Specification 700.
 2. Install hanger pipe to each vertical beam crossed with a 3/8" U-Bolt, lock washers and hex nuts. Cap both ends of the horizontal pipe.
 3. All pipe dimensions are NPS.
 4. $\frac{\text{Chord O.D.} + 5"}{2}$ (Min.)



DETAIL 'A'
(Luminaire Support Structure)




SECTION B-B
(Hanger Pipe Connection)



DETAIL 'B'
(Hanger Pipe Connection)

5/26/2022 9:13:54 AM

LAST REVISION 11/01/22	DESCRIPTION:	 FY 2023-24 STANDARD PLANS	EXTERNAL LIGHTING FOR SIGNS	INDEX 700-031	SHEET 2 of 2
---------------------------	--------------	---	-----------------------------	------------------	-----------------