
ORIGINATION FORM

Proposed Revisions to a Standard Plans Index

(Please provide all information — Incomplete forms will be returned)

Contact Information:

Date: May 12, 2022

Originator: Rick Jenkins

Phone: (850) 414-4355

Email: Rick.Jenkins@dot.state.fl.us

Standard Plans:

Index Number: 700-011

Sheet Number (s): 1 of 2

Index Title: Single Column Cantilever Ground Mounted Sign

Summary of the changes:

Updated General Note 1 - "Work with Index 700-010 for additional notes and the assembly of base connection".

Deleted General Note 2.

New General Note 2 - "Meet the requirements of Specification 700".

Deleted first sentence from General Note 5.

Updated General Note references in the SIGN DETAIL, VIEW A-A, SECTION B-B, and SECTION C-C.

Commentary / Background:

The 700 Index Series is being edited to remove material information and other information that is located in the Standard Specifications. Revisions are being made to Specification Sections 700, 962 and 965 in conjunction with these changes.

Other Affected Offices / Documents: (Provide name of person contacted)

Yes	No	
<input checked="" type="checkbox"/>	<input type="checkbox"/>	Other Standard Plans –
<input type="checkbox"/>	<input checked="" type="checkbox"/>	FDOT Design Manual – Dewayne Carver
<input checked="" type="checkbox"/>	<input type="checkbox"/>	Basis of Estimates Manual – Ryan Gray
<input checked="" type="checkbox"/>	<input type="checkbox"/>	Standard Specifications – Daniel Strickland
<input type="checkbox"/>	<input checked="" type="checkbox"/>	Approved Product List – Missy Hollis
<input type="checkbox"/>	<input checked="" type="checkbox"/>	Construction – Jason Russell
<input type="checkbox"/>	<input checked="" type="checkbox"/>	Maintenance – Deanna Hutchison

Origination Package Includes: (Submit package to Rick Jenkins)

Yes	N/A	
<input checked="" type="checkbox"/>	<input type="checkbox"/>	Redline Mark-ups
<input type="checkbox"/>	<input type="checkbox"/>	Revised or Proposed Standard Plan Instruction (SPI)
<input type="checkbox"/>	<input type="checkbox"/>	Other Support Documents

Implementation:

<input type="checkbox"/>	Design Bulletin (Interim)
<input type="checkbox"/>	DCE Memo
<input type="checkbox"/>	Program Mgmt. Bulletin
<input checked="" type="checkbox"/>	FY-Standard Plans (Next Release)

Contact the Roadway Design Office for assistance in completing this form

Email to: Rick Jenkins rick.jenkins@dot.state.fl.us and Darren Martin darren.martin@dot.state.fl.us

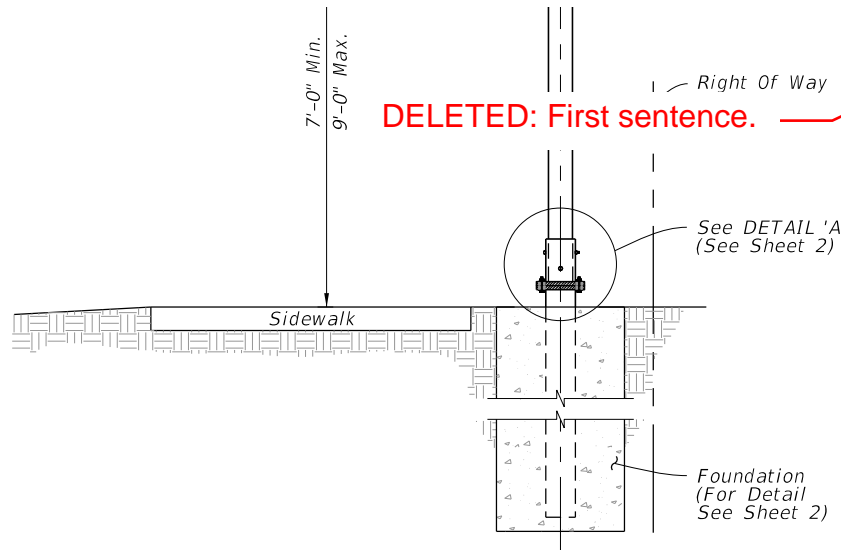
GENERAL COMMENT: Material information was deleted. Information is either already covered in Standard Specifications OR will be added to Section 700, 962 or 965 in conjunction with these revisions.

UPDATED NOTE 1:
Work with Index 700-010 for additional notes and the assembly of base connection.

NEW NOTE 2:
Meet the requirements of Specification 700.

GENERAL NOTES:

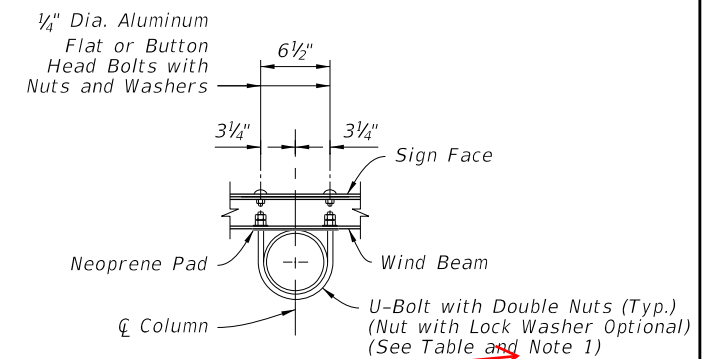
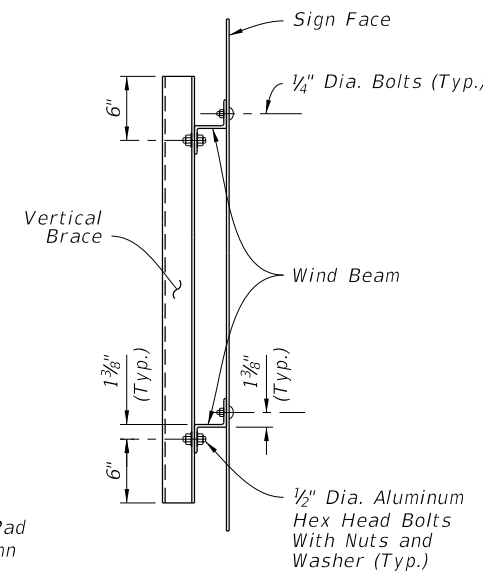
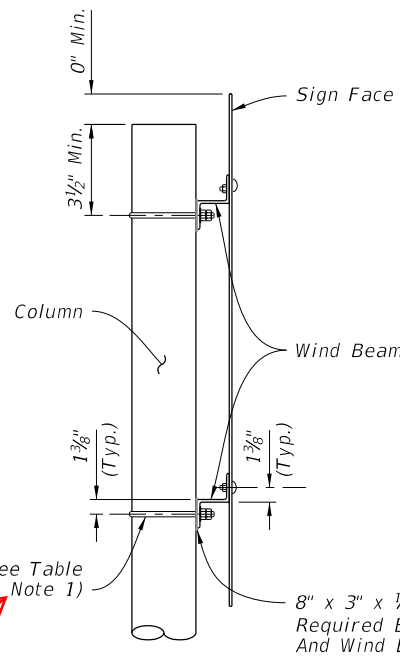
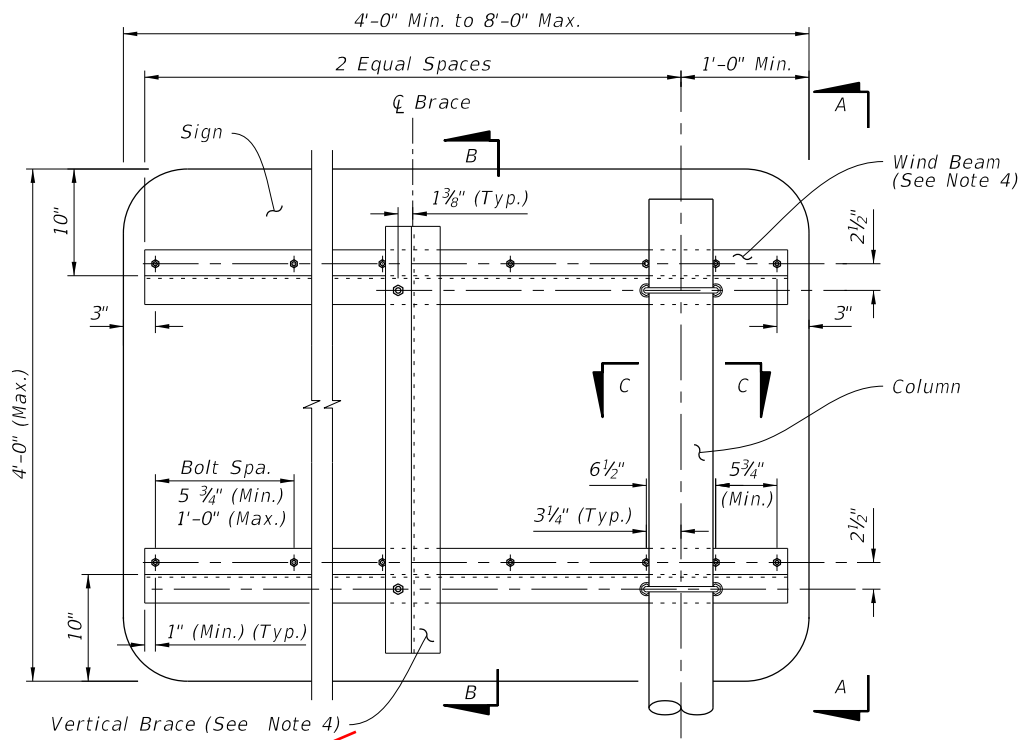
- ~~1. Refer to Index 700-010 for additional notes, assembly of base connection and material specifications not given in this Index.~~
- ~~2. Aluminum Columns. ASTM B429 Alloy 6061-T6.~~
- Place galvanized steel shims between the Sleeve and Post to obtain a tight fit between the Post and Sleeve.
- Wind Beam and Vertical Brace: Aluminum Z 3 x 2¹/₁₆ x 3.38. Install Vertical Brace on 7'-0" to 8'-0" signs only.
- ~~5. Provide 2 - 0.0149" Thick (28 gauge) and 2 - 0.0329" Thick (21 gauge) Brass Shims Per Post. Used brass shims to plumb the post.~~
- Use nylon washers under the button bolt heads to protect sign sheeting. Use aluminum washers under nut.



DELETED: First sentence.

Sign Size Height x Length	Column Size Diameter x Thickness	Sleeve Size Diameter x Thickness	U-bolt Diameter	Base Bolt Diameter x Length	Torque lbs./in	Base Plate Thickness	Footing Depth
4'-0" x 5'-0"	4 NPS Schedule 80 (4.5" x 0.337")	5 NPS Schedule 120 (5.563" x 0.5")	1/2"	5/8" x 3 1/2"	270 ± 45	1"	6'-0"
4'-0" x 6'-0"	5 NPS Schedule 80 (5.563" x 0.375")	6 NPS Schedule 80 (6.625" x 0.432")	5/8"	3/4" x 4"	445 ± 75	1 1/8"	6'-6"
4'-0" x 7'-0"							7'-0"
4'-0" x 8'-0"							

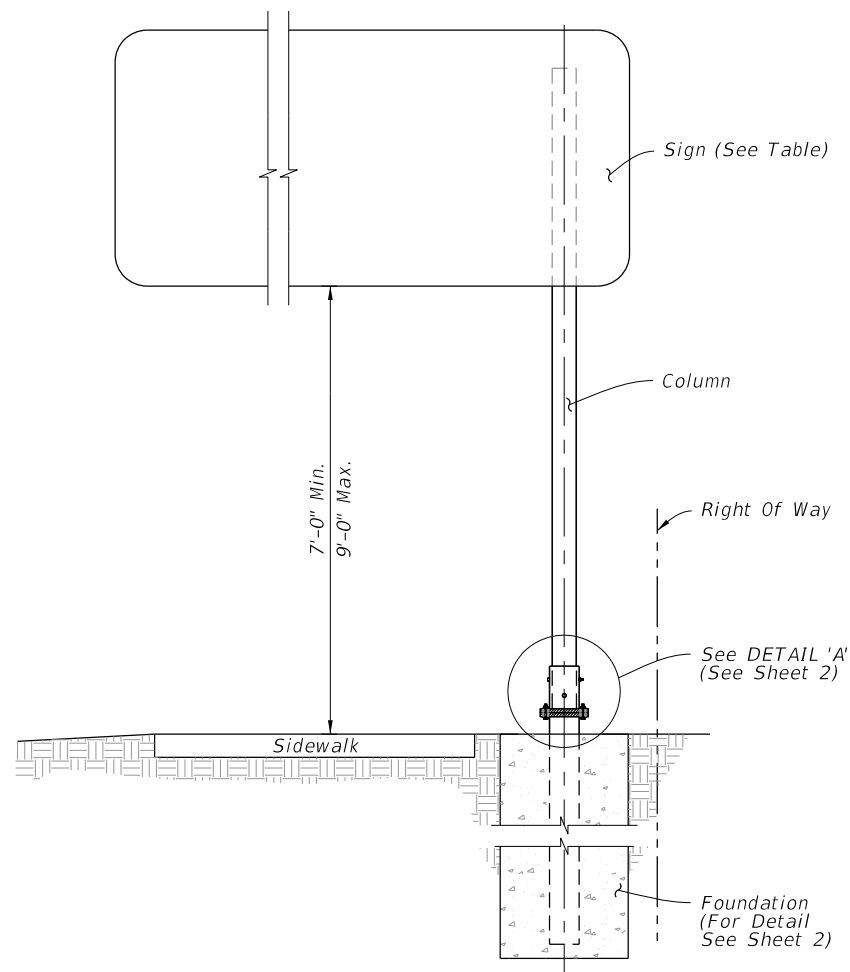
TYPICAL SECTION



UPDATED: See General Note...

9/22/2021 1:43:37 PM

LAST REVISION	DESCRIPTION:
11/01/22	
11/01/20	

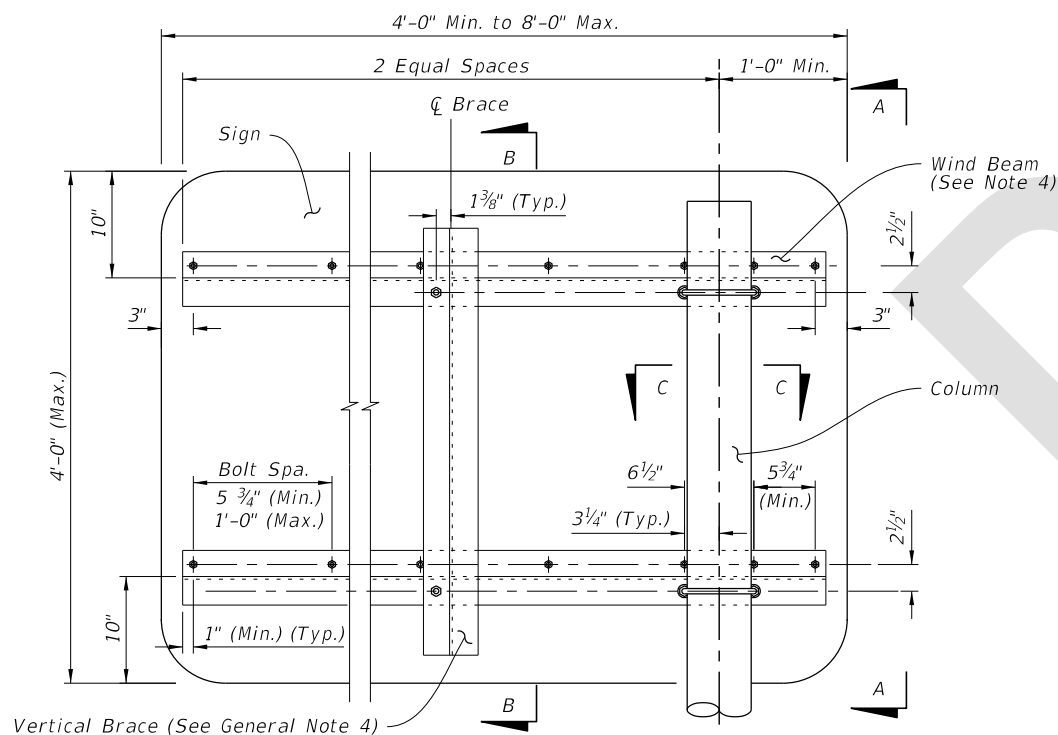


TYPICAL SECTION

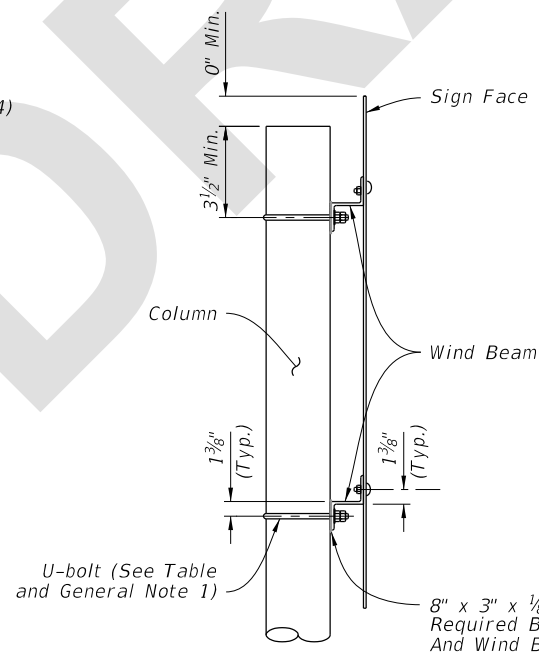
GENERAL NOTES:

1. Work with Index 700-010 for additional notes and the assembly of base connection.
2. Meet the requirements of Specification 700.
3. Place galvanized steel shims between the Sleeve and Post to obtain a tight fit between the Post and Sleeve.
4. Wind Beam and Vertical Brace: Aluminum Z 3 x 2¹/₁₆ x 3.38. Install Vertical Brace on 7'-0" to 8'-0" signs only.
5. Use Brass shims to plumb the post.
6. Use nylon washers under the button bolt heads to protect sign sheeting. Use aluminum washers under nut.

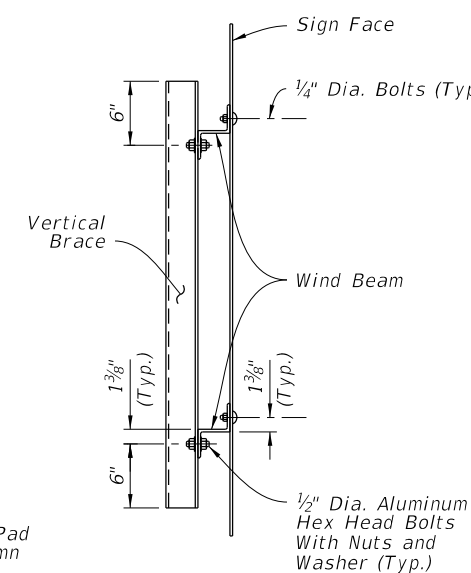
COLUMN SELECTION AND FOOTING SIZE TABLE							
Sign Size Height x Length	Column Size Diameter x Thickness	Sleeve Size Diameter x Thickness	U-bolt Diameter	Base Bolt Diameter x Length	Torque lbs./in	Base Plate Thickness	
4'-0" x 5'-0"	4 NPS Schedule 80 (4.5" x 0.337")	5 NPS Schedule 120 (5.563" x 0.5")	1/2"	5/8" x 3 1/2"	270 +/- 45		6'-0"
4'-0" x 6'-0"							
4'-0" x 7'-0"	5 NPS Schedule 80 (5.563" x 0.375")	6 NPS Schedule 80 (6.625" x 0.432")	5/8"	3/4" x 4"	445 +/- 75	1 1/8"	6'-6"
4'-0" x 8'-0"							7'-0"



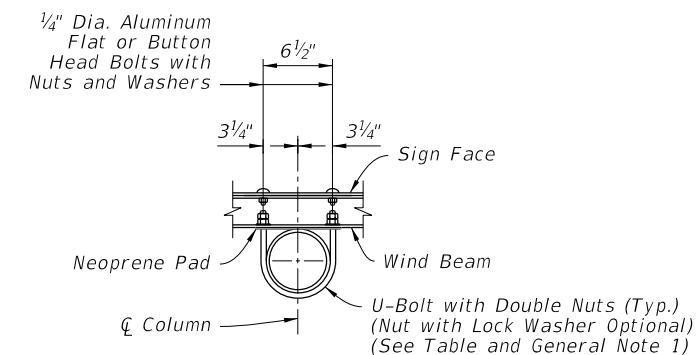
SIGN DETAIL



VIEW A-A



SECTION B-B



SECTION C-C

5/26/2022 7:55:06 AM

LAST REVISION 11/01/22	DESCRIPTION:		FY 2023-24 STANDARD PLANS	SINGLE COLUMN CANTILEVER GROUND MOUNTED SIGN	INDEX	SHEET
					700-011	1 of 2