

---

## ORINATION FORM

---

### Proposed Revisions to a Standard Plans Index

(Please provide all information — Incomplete forms will be returned)

**Contact Information:**

Date: June 15, 2022

Originator: Joshua Turley

Phone: (850) 414-4475

Email: [joshua.turley@dot.state.fl.us](mailto:joshua.turley@dot.state.fl.us)

**Standard Plans:**

Index Number: 521-600

Sheet Number (s): 1 of 2

Index Title: MSE Wall Coping (Precast or C-I-P)

**Summary of the changes:**

Changed C-I-P Buildup Concrete (1'-1" Max.) callout in the PRECAST COPING SECTION B-B to C-I-P Class NS Concrete (1'-1" Max.).

**Commentary / Background:**

CIP buildup concrete type was never clarified. SDO review deems Class NS is acceptable because the concrete buildup section is not meant to transfer any meaningful load to the wall other than self weight.

**Other Affected Offices / Documents: (Provide name of person contacted)**

- | Yes                      | No                                  |                             |
|--------------------------|-------------------------------------|-----------------------------|
| <input type="checkbox"/> | <input checked="" type="checkbox"/> | Other Standard Plans –      |
| <input type="checkbox"/> | <input checked="" type="checkbox"/> | FDOT Design Manual –        |
| <input type="checkbox"/> | <input checked="" type="checkbox"/> | Basis of Estimates Manual – |
| <input type="checkbox"/> | <input checked="" type="checkbox"/> | Standard Specifications –   |
| <input type="checkbox"/> | <input checked="" type="checkbox"/> | Approved Product List –     |
| <input type="checkbox"/> | <input checked="" type="checkbox"/> | Construction –              |
| <input type="checkbox"/> | <input checked="" type="checkbox"/> | Maintenance –               |

**Origination Package Includes:** (Submit package to Rick Jenkins)

- | Yes                                 | N/A                      |   |
|-------------------------------------|--------------------------|---|
| <input checked="" type="checkbox"/> | <input type="checkbox"/> | Redline Mark-ups                                    |
| <input type="checkbox"/>            | <input type="checkbox"/> | Revised or Proposed Standard Plan Instruction (SPI) |
| <input type="checkbox"/>            | <input type="checkbox"/> | Other Support Documents                             |

**Implementation:**

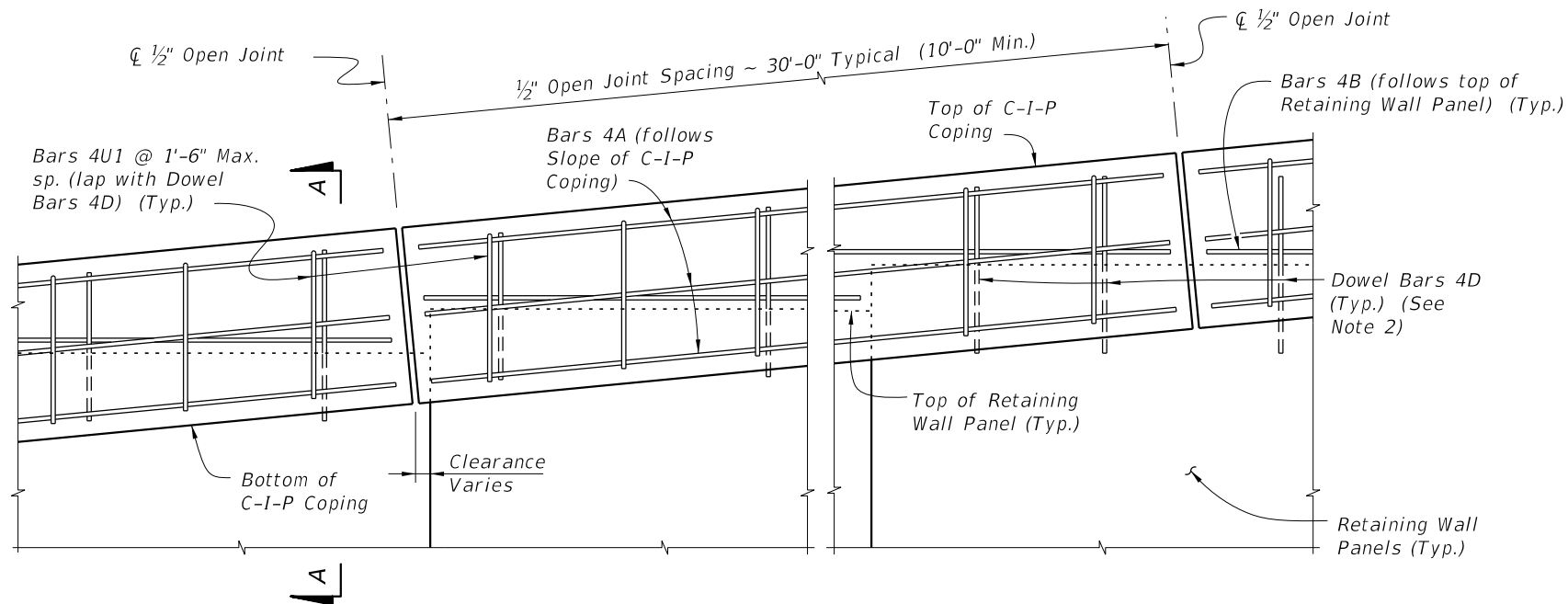
- |                                     |                                  |
|-------------------------------------|----------------------------------|
| <input type="checkbox"/>            | Design Bulletin (Interim)        |
| <input type="checkbox"/>            | DCE Memo                         |
| <input type="checkbox"/>            | Program Mgmt. Bulletin           |
| <input checked="" type="checkbox"/> | FY-Standard Plans (Next Release) |

---

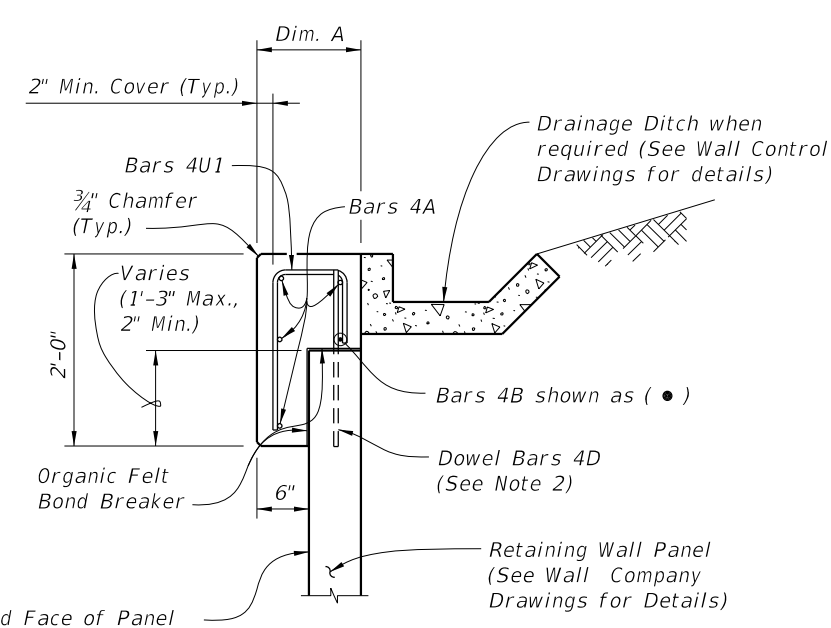
Contact the Roadway Design Office for assistance in completing this form

---

Email to: Rick Jenkins [rick.jenkins@dot.state.fl.us](mailto:rick.jenkins@dot.state.fl.us) and Darren Martin [darren.martin@dot.state.fl.us](mailto:darren.martin@dot.state.fl.us)



C-I-P COPING - PARTIAL ELEVATION VIEW

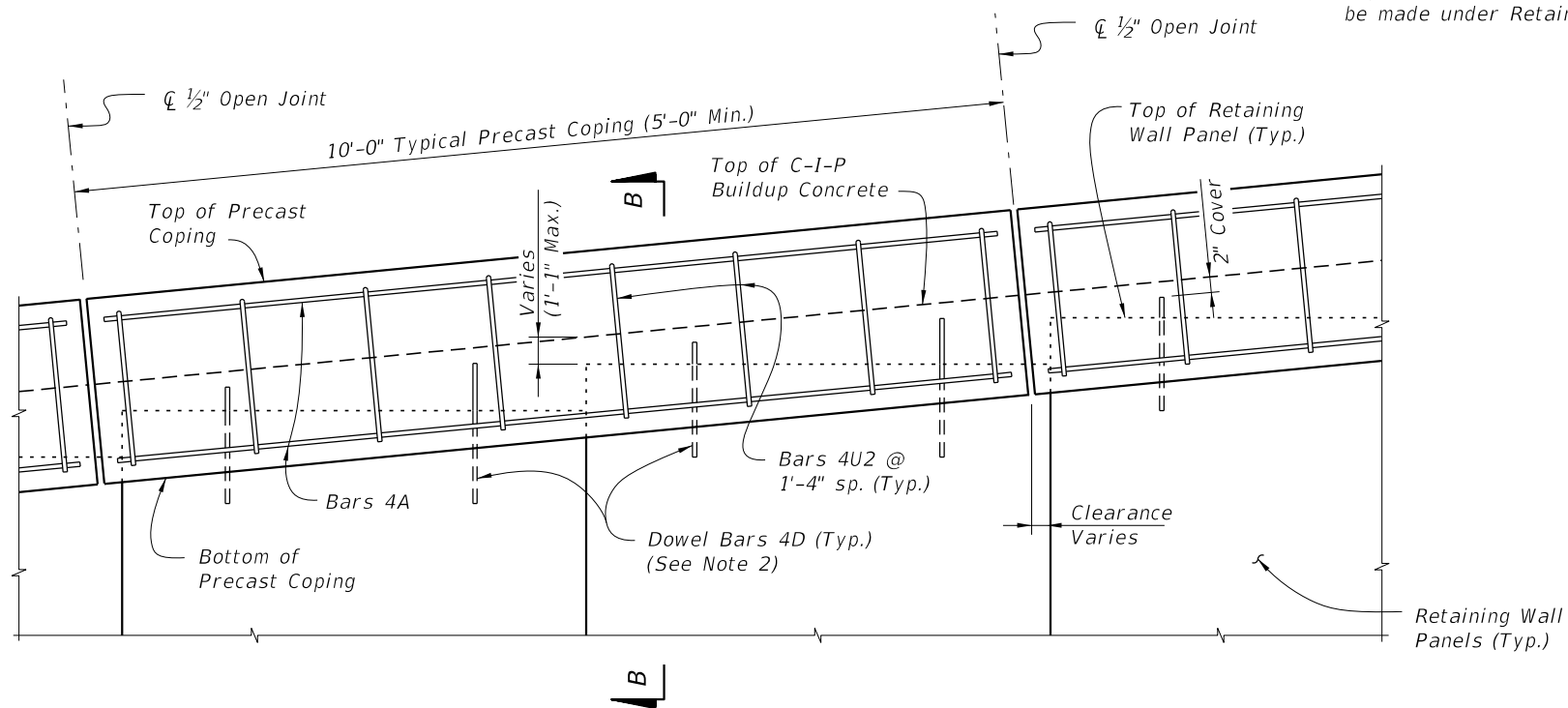


SECTION A-A  
C-I-P COPING

|        |                          |
|--------|--------------------------|
| Dim. A | Panel width + 6"         |
| Dim. B | Panel width + 1'-0" Min. |

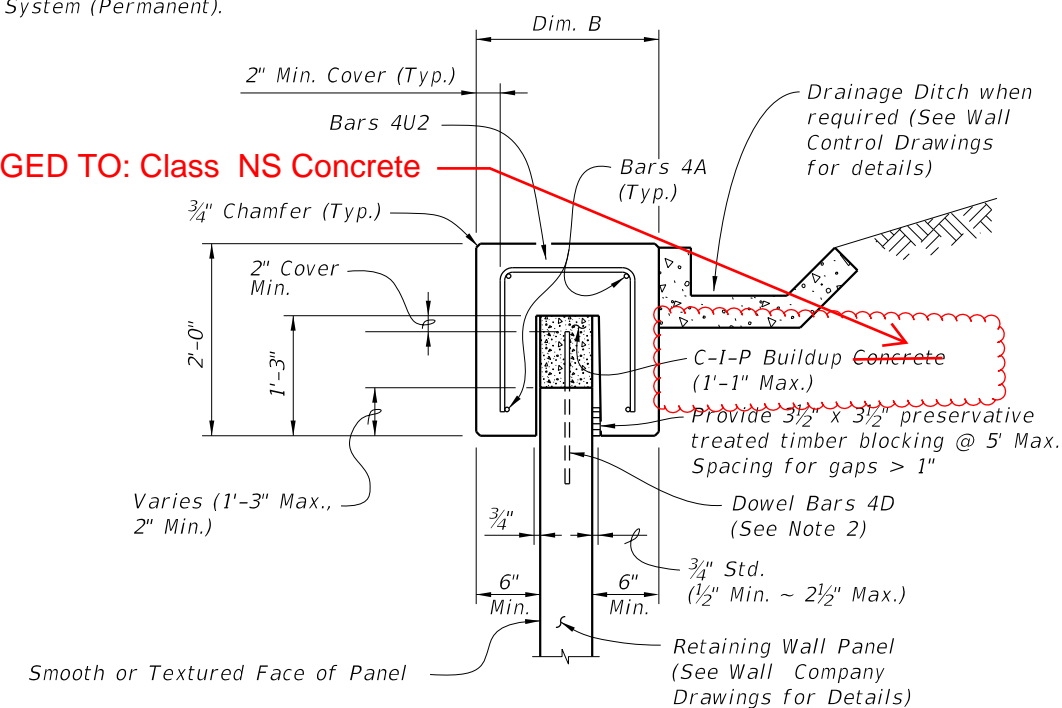
PRECAST AND C-I-P COPING NOTES:

1. Provide Class II concrete for slightly aggressive environments or Class IV for moderately or extremely aggressive environments.
2. Dowel Bars 4D extend 11" above the top of retaining wall panel. Field cut as necessary to maintain 2" minimum cover. See Wall Company Drawings for number and spacing of Dowel Bars 4D.
3. Payment for Dowel Bars 4D, Buildup Concrete and Coping will be made under Retaining Wall System (Permanent).



PRECAST COPING - PARTIAL ELEVATION VIEW

CHANGED TO: Class NS Concrete



SECTION B-B  
PRECAST COPING

9/22/2021 8:25:27 AM

|                     |              |
|---------------------|--------------|
| LAST REVISION       | DESCRIPTION: |
| <del>11/01/19</del> |              |
| 11/01/22            |              |

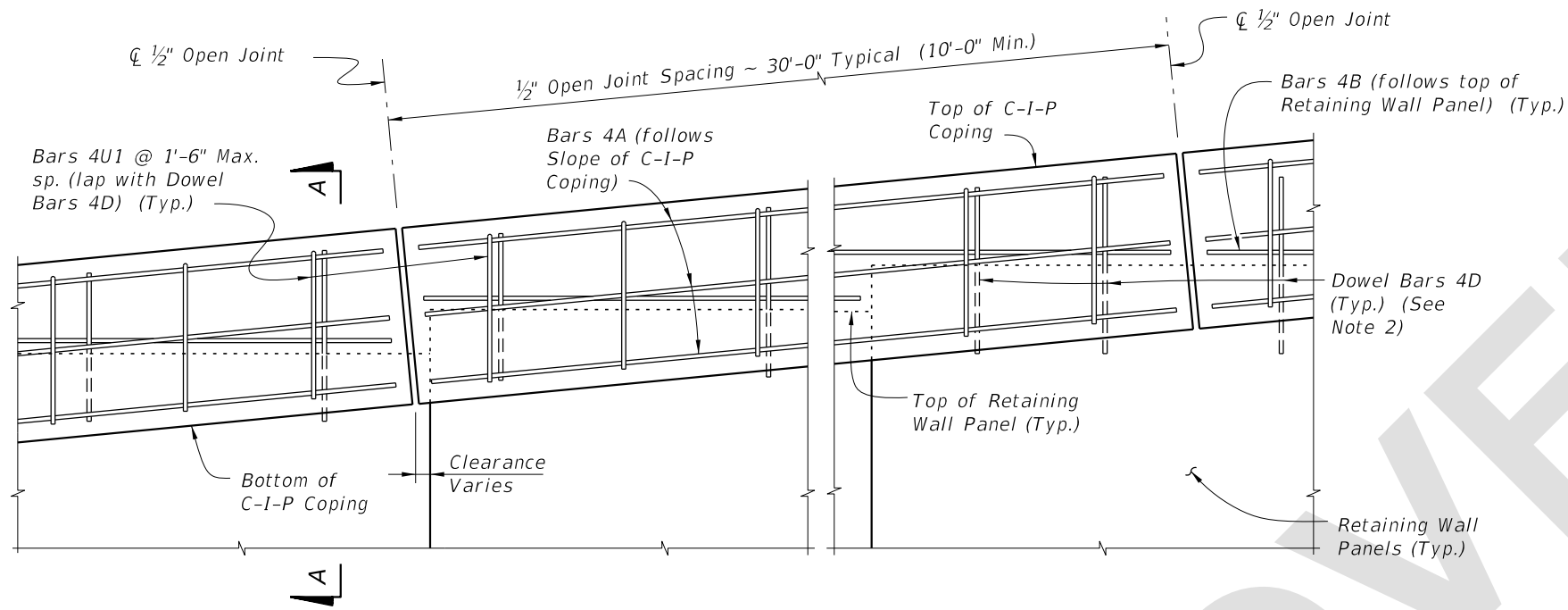


FY 2022-23  
STANDARD PLANS

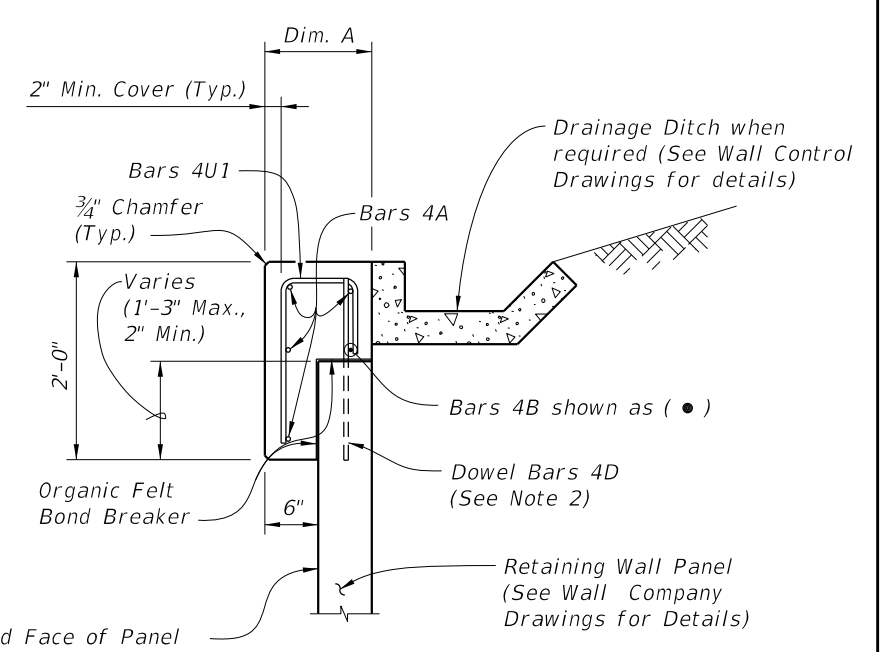
MSE WALL COPING (PRECAST OR C-I-P)

INDEX  
521-600

SHEET  
1 of 2



C-I-P COPING - PARTIAL ELEVATION VIEW

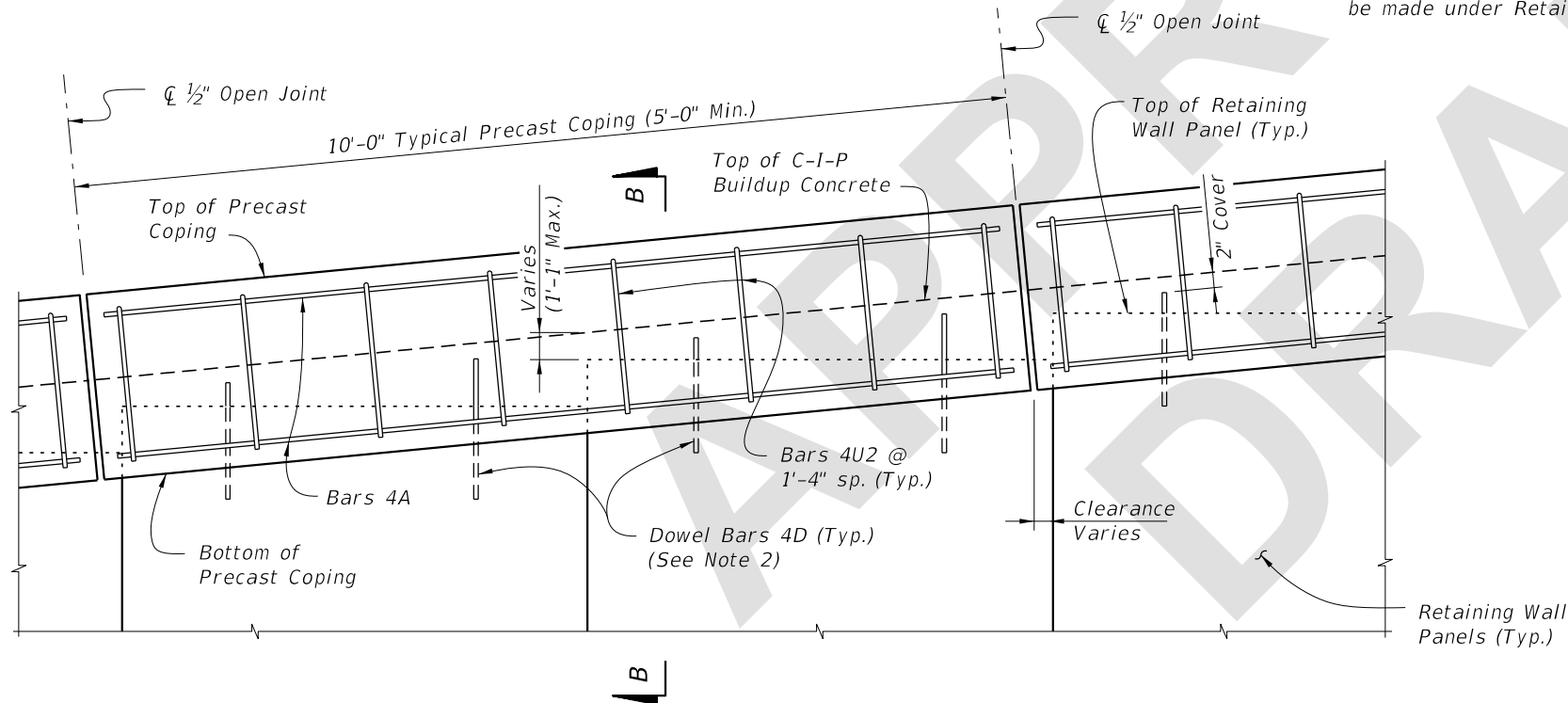


SECTION A-A  
C-I-P COPING

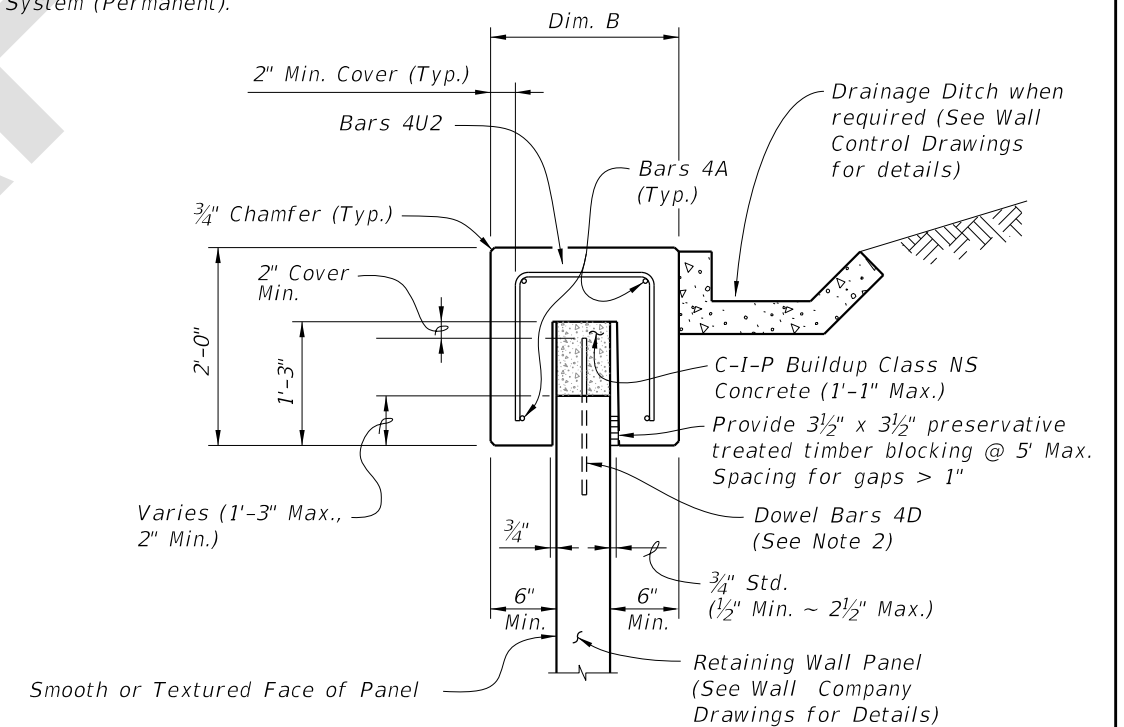
|        |                          |
|--------|--------------------------|
| Dim. A | Panel width + 6"         |
| Dim. B | Panel width + 1'-0" Min. |

PRECAST AND C-I-P COPING NOTES:

1. Provide Class II concrete for slightly aggressive environments or Class IV for moderately or extremely aggressive environments.
2. Dowel Bars 4D extend 11" above the top of retaining wall panel. Field cut as necessary to maintain 2" minimum cover. See Wall Company Drawings for number and spacing of Dowel Bars 4D.
3. Payment for Dowel Bars 4D, Buildup Concrete and Coping will be made under Retaining Wall System (Permanent).




PRECAST COPING - PARTIAL ELEVATION VIEW



SECTION B-B  
PRECAST COPING

6/17/2022 1:45:07 PM

|                           |          |              |   |                              |                                    |                  |                 |
|---------------------------|----------|--------------|---|------------------------------|------------------------------------|------------------|-----------------|
| LAST REVISION<br>11/01/22 | REVISION | DESCRIPTION: |  | FY 2023-24<br>STANDARD PLANS | MSE WALL COPING (PRECAST OR C-I-P) | INDEX<br>521-600 | SHEET<br>1 of 2 |
|---------------------------|----------|--------------|---|------------------------------|------------------------------------|------------------|-----------------|