

---

## ORIGINATION FORM

---

### Proposed Revisions to a Standard Plans Index

(Please provide all information — Incomplete forms will be returned)

**Contact Information:**

Date: June 30, 2022

Originator: Joshua Turley

Phone: (850) 414-4475

Email: [joshua.turley@dot.state.fl.us](mailto:joshua.turley@dot.state.fl.us)

**Standard Plans:**

Index Number: 455-031

Sheet Number (s): 1

Index Title: 30" SQUARE PRESTRESSED CONCRETE PILE -  
HIGH MOMENT CAPACITY

**Summary of the changes:**

Reverted to the previous version of the Standard.

**Commentary / Background:****Other Affected Offices / Documents: (Provide name of person contacted)**

- | Yes                      | No                                  |                             |
|--------------------------|-------------------------------------|-----------------------------|
| <input type="checkbox"/> | <input checked="" type="checkbox"/> | Other Standard Plans –      |
| <input type="checkbox"/> | <input checked="" type="checkbox"/> | FDOT Design Manual –        |
| <input type="checkbox"/> | <input checked="" type="checkbox"/> | Basis of Estimates Manual – |
| <input type="checkbox"/> | <input checked="" type="checkbox"/> | Standard Specifications –   |
| <input type="checkbox"/> | <input checked="" type="checkbox"/> | Approved Product List –     |
| <input type="checkbox"/> | <input checked="" type="checkbox"/> | Construction –              |
| <input type="checkbox"/> | <input checked="" type="checkbox"/> | Maintenance –               |

**Origination Package Includes: (Submit package to Rick Jenkins)**

- | Yes                                 | N/A                      |   |
|-------------------------------------|--------------------------|---|
| <input checked="" type="checkbox"/> | <input type="checkbox"/> | Redline Mark-ups                                    |
| <input type="checkbox"/>            | <input type="checkbox"/> | Revised or Proposed Standard Plan Instruction (SPI) |
| <input type="checkbox"/>            | <input type="checkbox"/> | Other Support Documents                             |

**Implementation:**

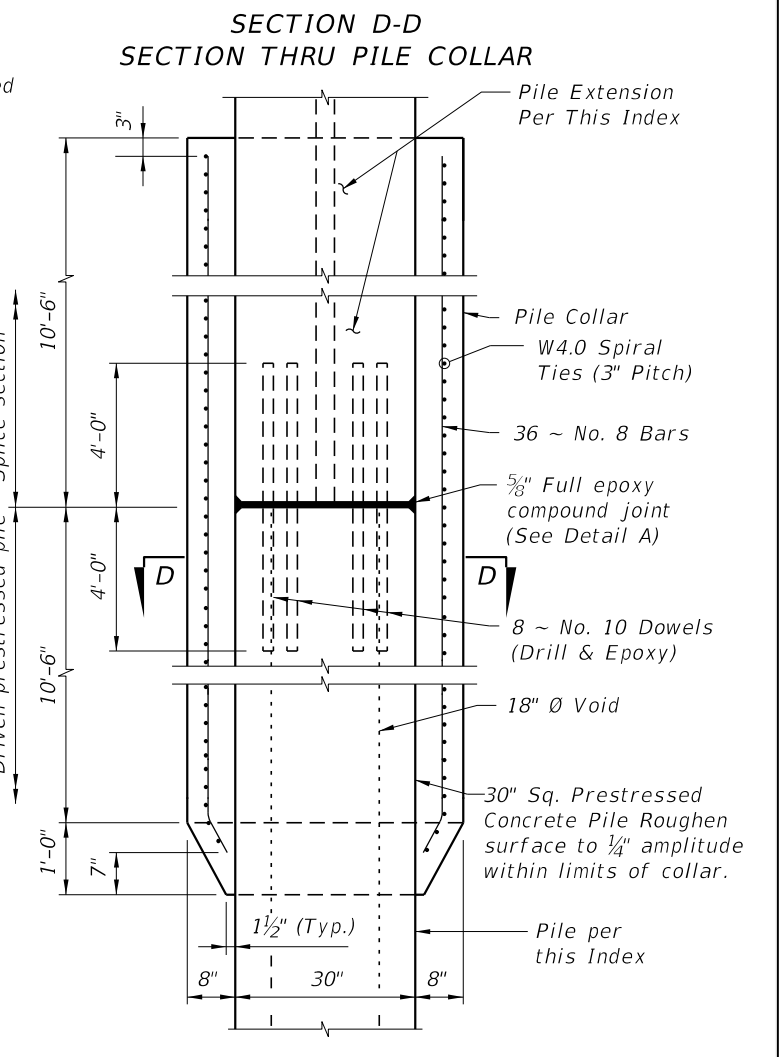
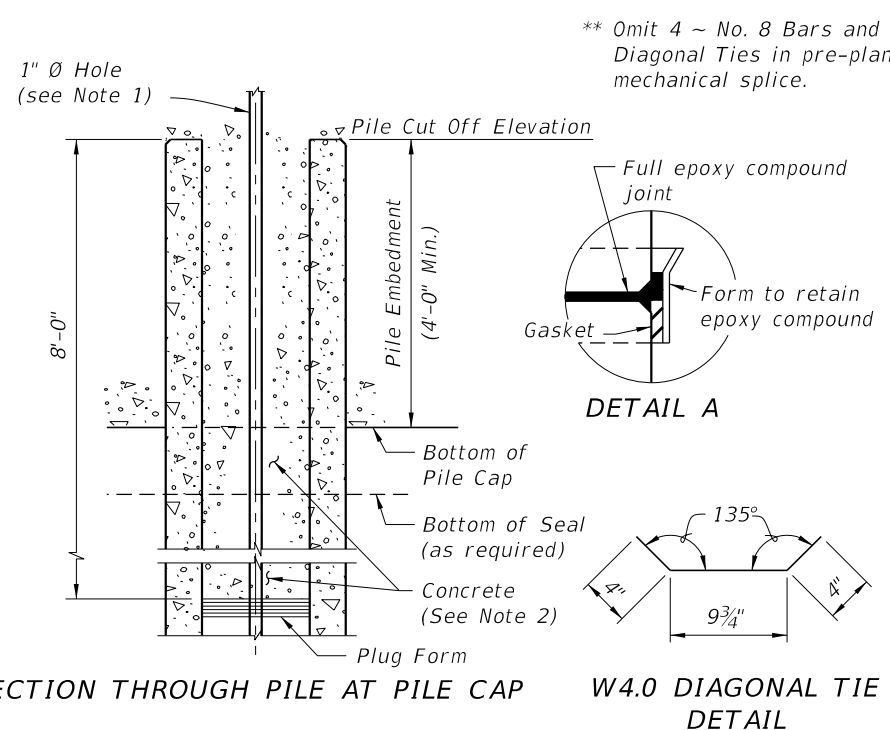
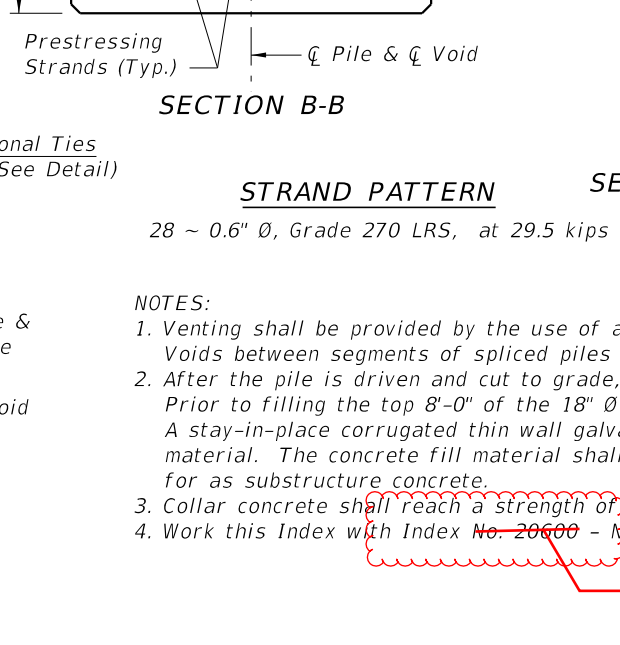
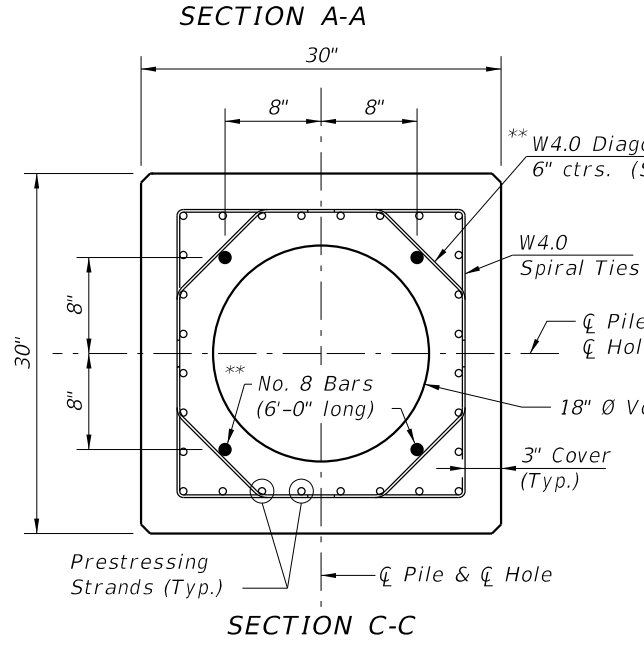
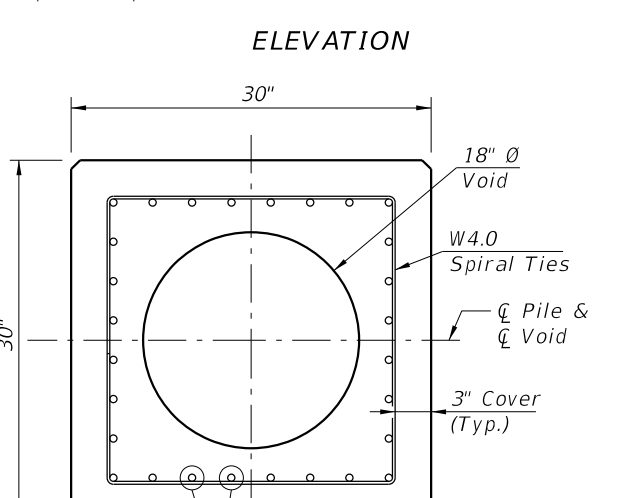
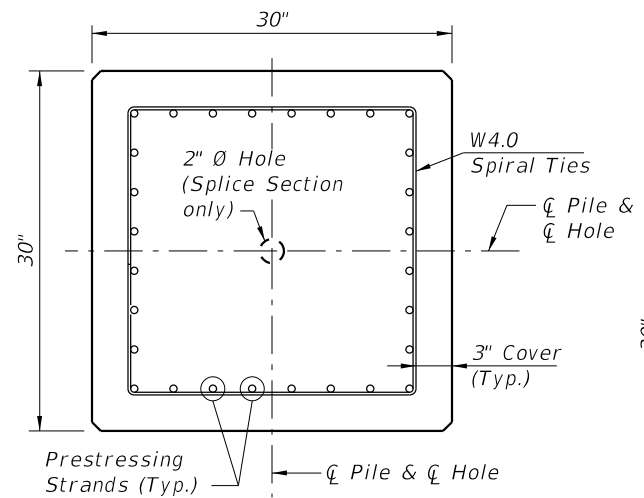
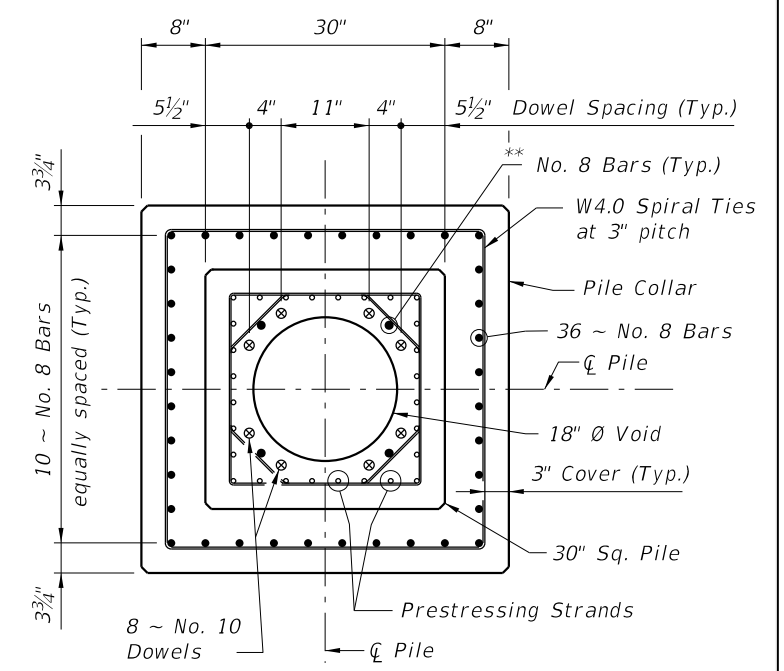
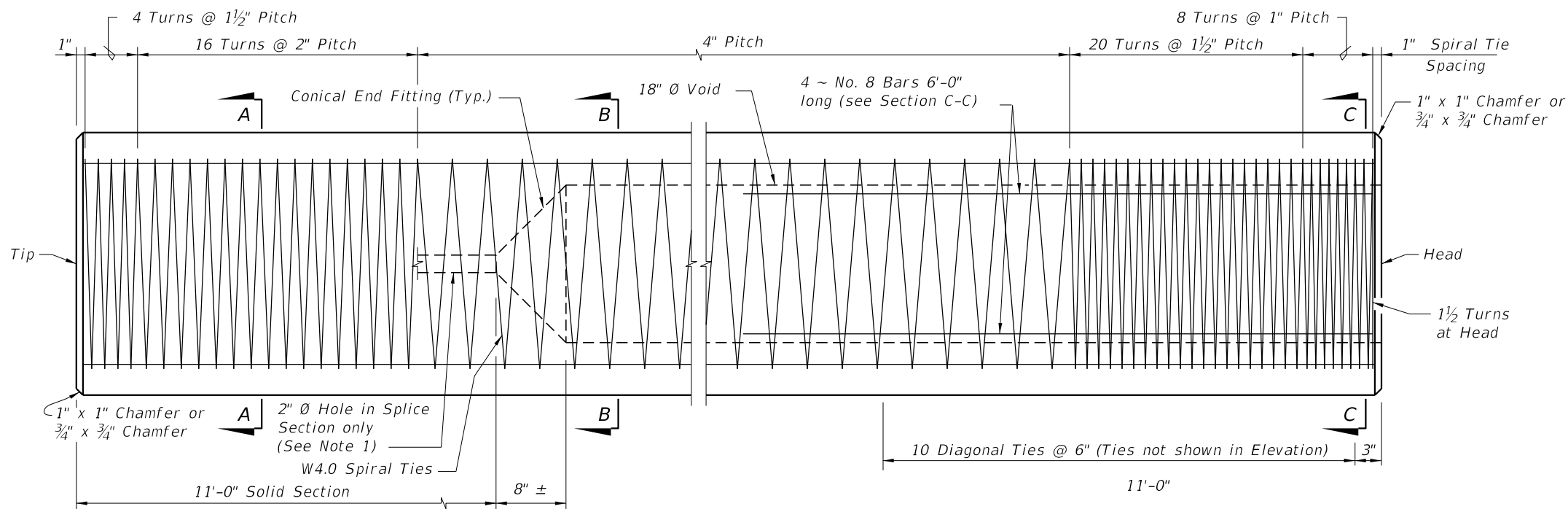
- |                                     |                                  |
|-------------------------------------|----------------------------------|
| <input type="checkbox"/>            | Design Bulletin (Interim)        |
| <input type="checkbox"/>            | DCE Memo                         |
| <input type="checkbox"/>            | Program Mgmt. Bulletin           |
| <input checked="" type="checkbox"/> | FY-Standard Plans (Next Release) |

---

Contact the Roadway Design Office for assistance in completing this form

---

Email to: Rick Jenkins [rick.jenkins@dot.state.fl.us](mailto:rick.jenkins@dot.state.fl.us) and Darren Martin [darren.martin@dot.state.fl.us](mailto:darren.martin@dot.state.fl.us)

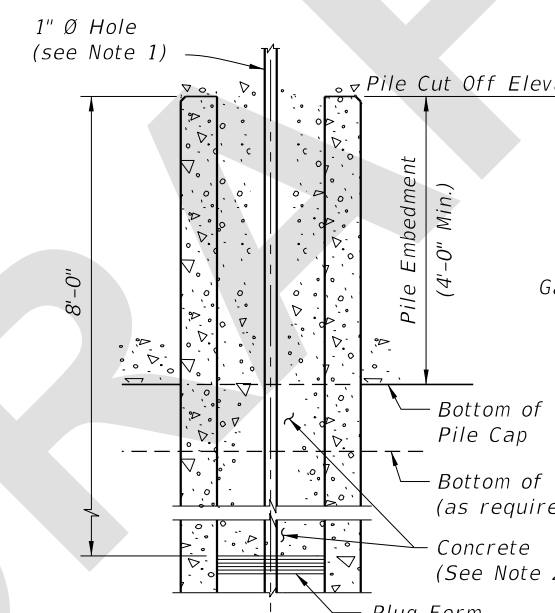
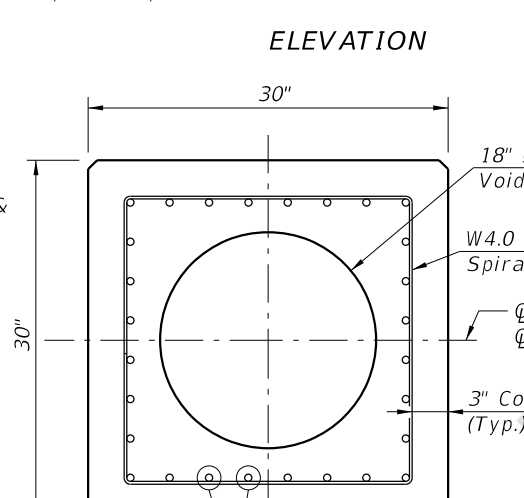
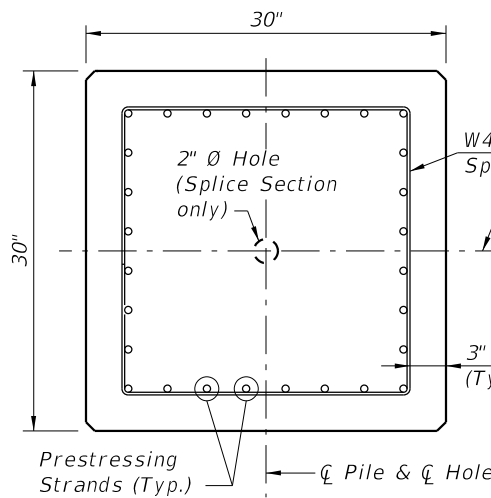
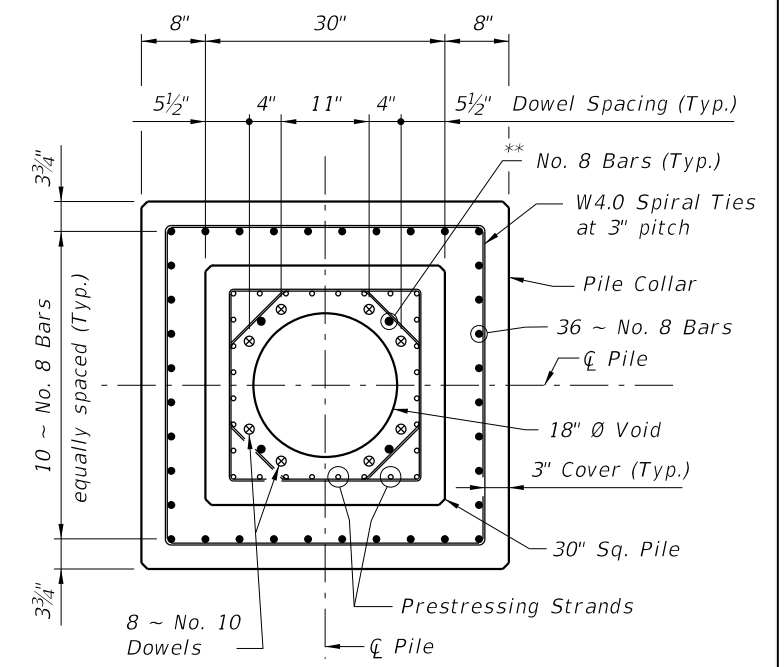
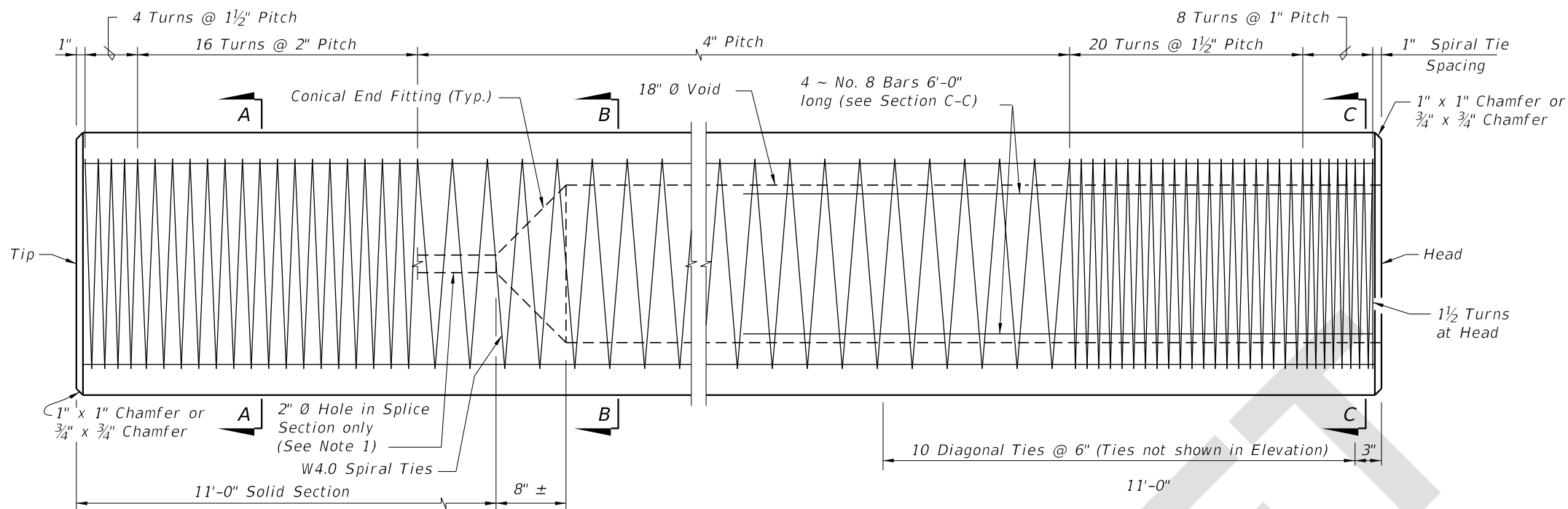


- NOTES:
- Venting shall be provided by the use of a 1"  $\varnothing$  PVC conduit through a substructure cap or column. Voids between segments of spliced piles shall be connected by 2"  $\varnothing$  hole(s).
  - After the pile is driven and cut to grade, the top 8'-0" of the 18"  $\varnothing$  Void shall be filled with concrete. Prior to filling the top 8'-0" of the 18"  $\varnothing$  Void with concrete, strip the cardboard form material from the void. A stay-in-place corrugated thin wall galvanized pipe may be used to form the void in lieu of the cardboard form material. The concrete fill material shall be of the same type and strength as called for in the pile cap and paid for as substructure concrete.
  - Collar concrete shall reach a strength of 6,000 psi before pile driving is resumed.
  - Work this Index with Index No. 20600 - Notes and Details for Square Prestressed Concrete Piles.

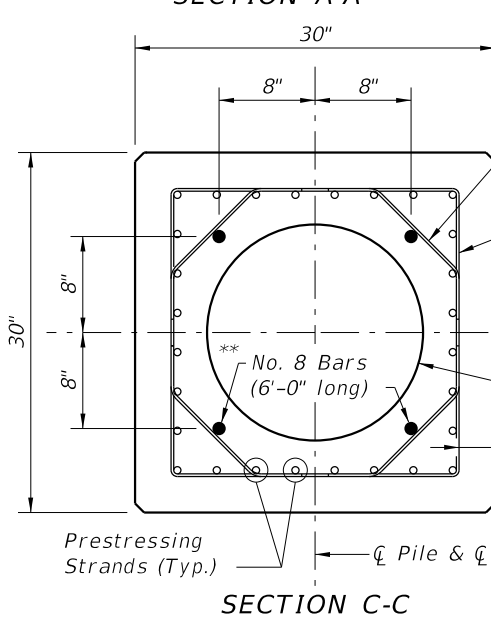
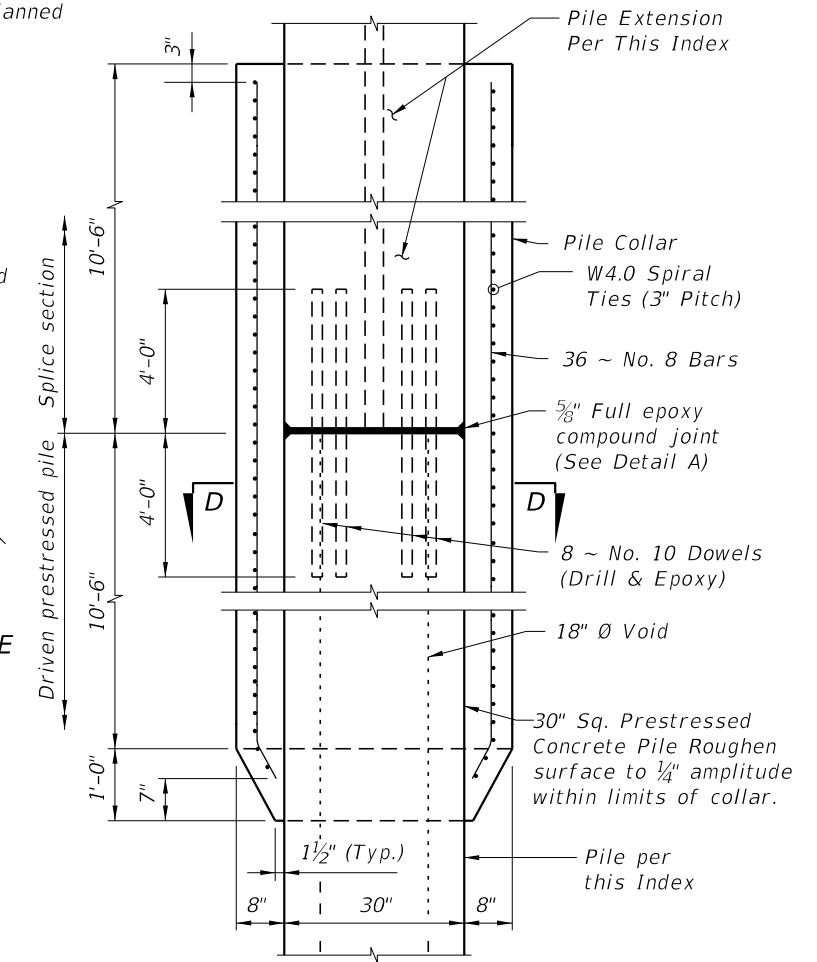
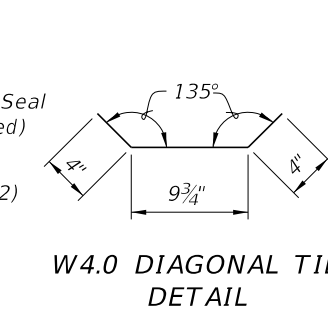
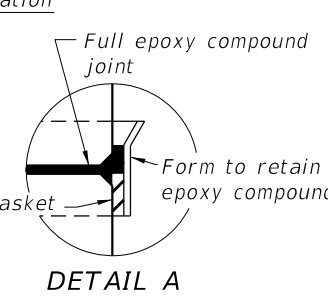
455-001

5/31/2022 12:53:05 PM

LAST REVISION 06/01/22	DESCRIPTION:	FDOT FY 2023-24 STANDARD PLANS	30" SQUARE PRESTRESSED CONCRETE PILE - HIGH MOMENT CAPACITY	INDEX 455-031	SHEET 1 of 1
---------------------------	--------------	--------------------------------------	--	------------------	-----------------




\*\* Omit 4 ~ No. 8 Bars and Diagonal Ties in pre-planned mechanical splice.



**STRAND PATTERN**  
28 ~ 0.6" Ø, Grade 270 LRS, at 29.5 kips

- NOTES:**
- Venting shall be provided by the use of a 1" Ø PVC conduit through a substructure cap or column. Voids between segments of spliced piles shall be connected by 2" Ø hole(s).
  - After the pile is driven and cut to grade, the top 8'-0" of the 18" Ø Void shall be filled with concrete. Prior to filling the top 8'-0" of the 18" Ø Void with concrete, strip the cardboard form material from the void. A stay-in-place corrugated thin wall galvanized pipe may be used to form the void in lieu of the cardboard form material. The concrete fill material shall be of the same type and strength as called for in the pile cap and paid for as substructure concrete.
  - Collar concrete shall reach a strength of 6,000 psi before pile driving is resumed.
  - Work this Index with Index 455-001 - Notes and Details for Square Prestressed Concrete Piles.

8:08:13 AM  
7/19/2022

LAST REVISION 11/01/22	DESCRIPTION:	 FY 2023-24 STANDARD PLANS	<b>30" SQUARE PRESTRESSED CONCRETE PILE - HIGH MOMENT CAPACITY</b>	INDEX 455-031	SHEET 1 of 1
---------------------------	--------------	---	--	------------------	-----------------