
ORIGINATION FORM

Proposed Revisions to a Standard Plans Index
(Please provide all information — Incomplete forms will be returned)

Contact Information:

Date: June 16, 2021
Originator: Derwood Sheppard
Phone: (850) 414-4334
Email: Derwood.Sheppard@dot.state.fl.us

Standard Plans:

Index Number: 700-109
Sheet Number (s): 1 of 1
Index Title: Traffic Controls for Street Terminations

Summary of the changes:

Delete Index.

**INDEX HAS BEEN
DELETED FROM THE
STANDARD PLANS**

Cor

05

Off

- | Yes | No | |
|-------------------------------------|-------------------------------------|-------------------------------|
| <input type="checkbox"/> | <input checked="" type="checkbox"/> | Other Standard Plans – |
| <input type="checkbox"/> | <input type="checkbox"/> | FDOT Design Manual – |
| <input type="checkbox"/> | <input type="checkbox"/> | Basis of Estimates Manual – |
| <input checked="" type="checkbox"/> | <input type="checkbox"/> | Standard Specifications – 705 |
| <input type="checkbox"/> | <input type="checkbox"/> | Approved Product List – |
| <input type="checkbox"/> | <input type="checkbox"/> | Construction – |
| <input type="checkbox"/> | <input type="checkbox"/> | Maintenance – |

Origination Package Includes:

(Email or hand deliver package to Rick Jenkins)

- | Yes | N/A | |
|-------------------------------------|--------------------------|--|
| <input checked="" type="checkbox"/> | <input type="checkbox"/> | Redline Mark-ups |
| <input type="checkbox"/> | <input type="checkbox"/> | Proposed Standard Plan Instruction (SPI) |
| <input type="checkbox"/> | <input type="checkbox"/> | Revised SPI |
| <input type="checkbox"/> | <input type="checkbox"/> | Other Support Documents |

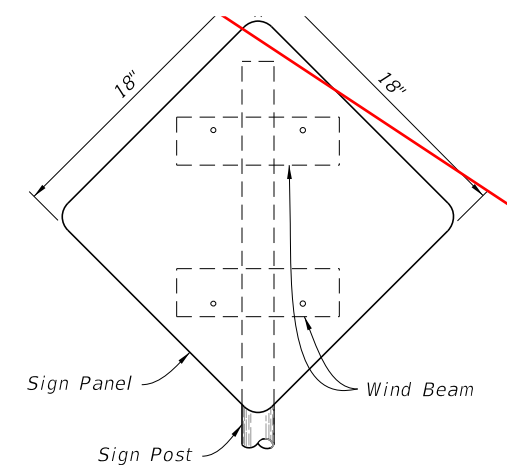
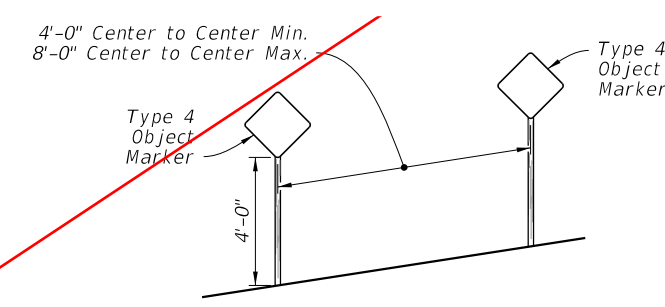
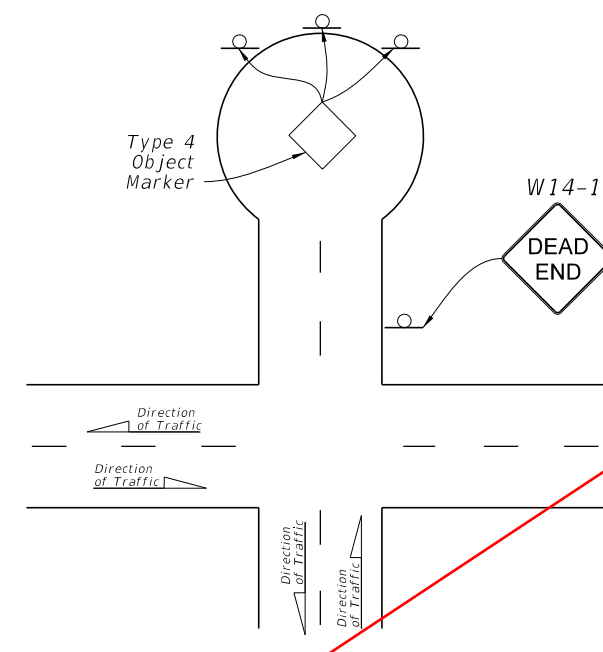
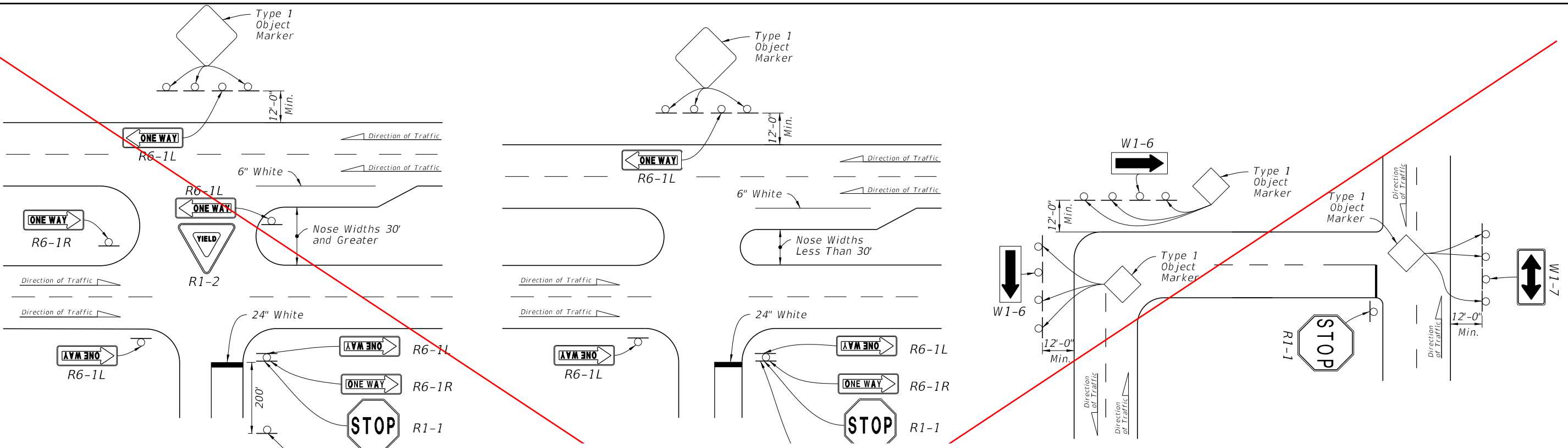
Implementation:

- Design Bulletin (Interim)
- DCE Memo
- Program Mgmt. Bulletin
- FY-Standard Plans (Next Release)

Contact the Roadway Design Office for assistance in completing this form

Email to: Rick Jenkins rick.jenkins@dot.state.fl.us and Darren Martin darren.martin@dot.state.fl.us

INDEX HAS BEEN DELETED FROM THE STANDARD PLANS



- NOTES:**
1. Index applicable to residential and minor streets only. Major streets to be evaluated on a case-by-case basis.
 2. Install Object Markers in accordance with Index 700-010
 3. See Index 711-001 for pavement markings.
 4. Provide sheeting on signs and object markers in accordance with Specification 993.

10/12/2020 9:08:02 AM

LAST REVISION 11/01/20	REVISION	DESCRIPTION:	 FY 2021-22 STANDARD PLANS	TRAFFIC CONTROLS FOR STREET TERMINATIONS	INDEX 700-109	SHEET 1 of 1
----------------------------------	----------	--------------	----------------------------------	--	-------------------------	------------------------