

---

## ORIGINATION FORM

---

Proposed Revisions to a Standard Plans Index  
(Please provide all information — Incomplete forms will be returned)

**Contact Information:**

Date: June 6, 2021  
Originator: Derwood Sheppard  
Phone: (850) 414-4334  
Email: [derwood.sheppard@dot.state.fl.us](mailto:derwood.sheppard@dot.state.fl.us)

**Standard Plans:**

Index Number: 646-001  
Sheet Number (s): 1 of 1  
Index Title:  
Aluminum Post and Pedestal Mounted  
Pedestrian Detectors and Signals



**Summary of the changes:**

Changed Note 4 to remove concrete type since specified in Spec 646

Added Note 5 "As an alternative to the direct buried "Post Mounted" Pedestrian Detector Assembly shown below, the post may be installed on a transformer base. Use a transformer base included on the APL approved as an alternative to a "Post Mounted" assembly."

Updated the PEDESTAL MOUNTED detail - to show in the ADJACENT TO SIDEWALK detail "Tie Bars" callout as a #4 Stirrups equally spaced, with a 12" maximum spacing and change all references "4" Nominal Aluminum Pole" to "4.5" OD Aluminum Pole;

**Commentary / Background:**

The foundations within Indexes 646-001, 654-001, 695-001, and 700-120 are being updated to be more consistent between applications. A structural analysis was completed to determine if the foundations could be revised to provide a more consistent design between the various applications.

**Other Affected Offices / Documents:** (Provide name of person contacted)

- | Yes                      | No                                  |                             |
|--------------------------|-------------------------------------|-----------------------------|
| <input type="checkbox"/> | <input checked="" type="checkbox"/> | Other Standard Plans –      |
| <input type="checkbox"/> | <input checked="" type="checkbox"/> | FDOT Design Manual –        |
| <input type="checkbox"/> | <input checked="" type="checkbox"/> | Basis of Estimates Manual – |
| <input type="checkbox"/> | <input checked="" type="checkbox"/> | Standard Specifications –   |
| <input type="checkbox"/> | <input checked="" type="checkbox"/> | Approved Product List –     |
| <input type="checkbox"/> | <input checked="" type="checkbox"/> | Construction –              |
| <input type="checkbox"/> | <input checked="" type="checkbox"/> | Maintenance –               |

**Origination Package Includes:**

(Email or hand deliver package to Rick Jenkins)

- | Yes                                 | N/A                      |                                          |
|-------------------------------------|--------------------------|------------------------------------------|
| <input checked="" type="checkbox"/> | <input type="checkbox"/> | Redline Mark-ups                         |
| <input type="checkbox"/>            | <input type="checkbox"/> | Proposed Standard Plan Instruction (SPI) |
| <input type="checkbox"/>            | <input type="checkbox"/> | Revised SPI                              |
| <input type="checkbox"/>            | <input type="checkbox"/> | Other Support Documents                  |

**Implementation:**

- Design Bulletin (Interim)
- DCE Memo
- Program Mgmt. Bulletin
- FY-Standard Plans (Next Release)

---

Contact the Roadway Design Office for assistance in completing this form

---

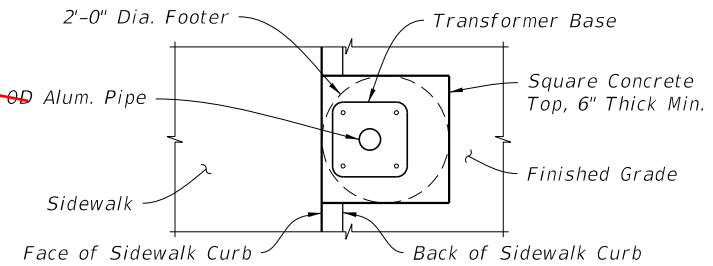
Email to: Rick Jenkins [rick.jenkins@dot.state.fl.us](mailto:rick.jenkins@dot.state.fl.us) and Darren Martin [darren.martin@dot.state.fl.us](mailto:darren.martin@dot.state.fl.us)

**NOTES:**

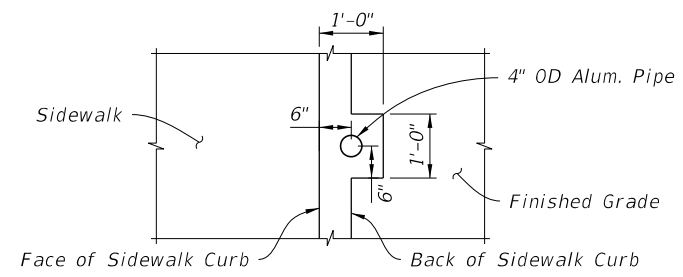
1. Work this Index with Specification 646.
2. For Pedestrian Signals see Index 653-001.
3. For Pedestrian Detector Assembly (i.e., Pushbutton and Sign) details see Index 665-001.
4. ~~Construct footing with Class I Concrete,~~ footing may be Cast-In-Place (C-I-P) or Precast.

**DELETE CLASS I REFERENCE IN NOTE 4**

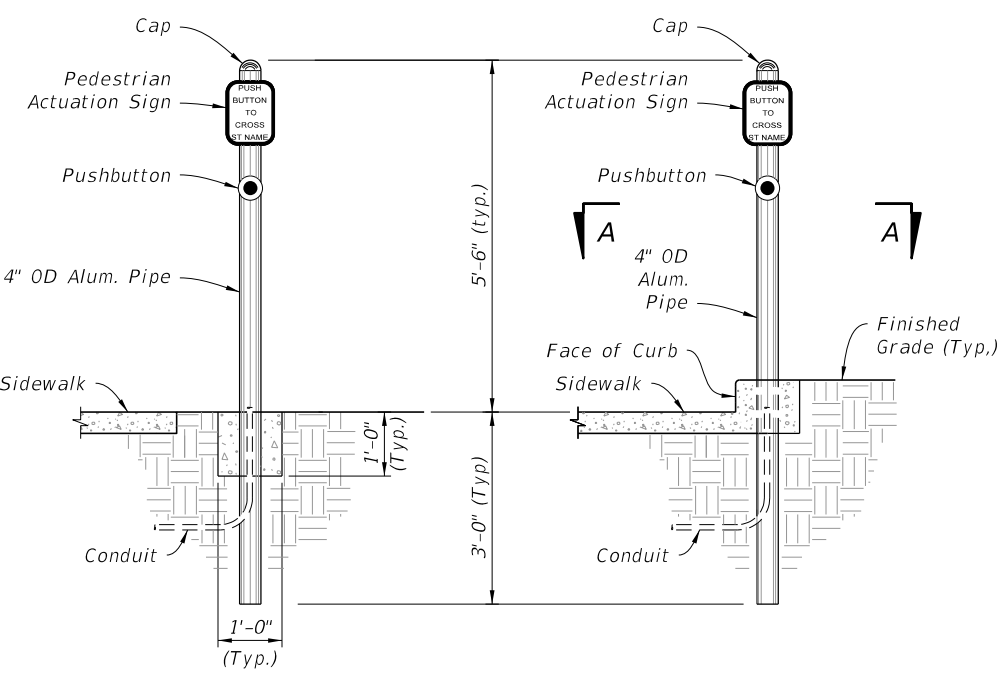
**5. ADDED NOTE 5**



PLAN VIEW SECTION B-B



PLAN VIEW SECTION A-A

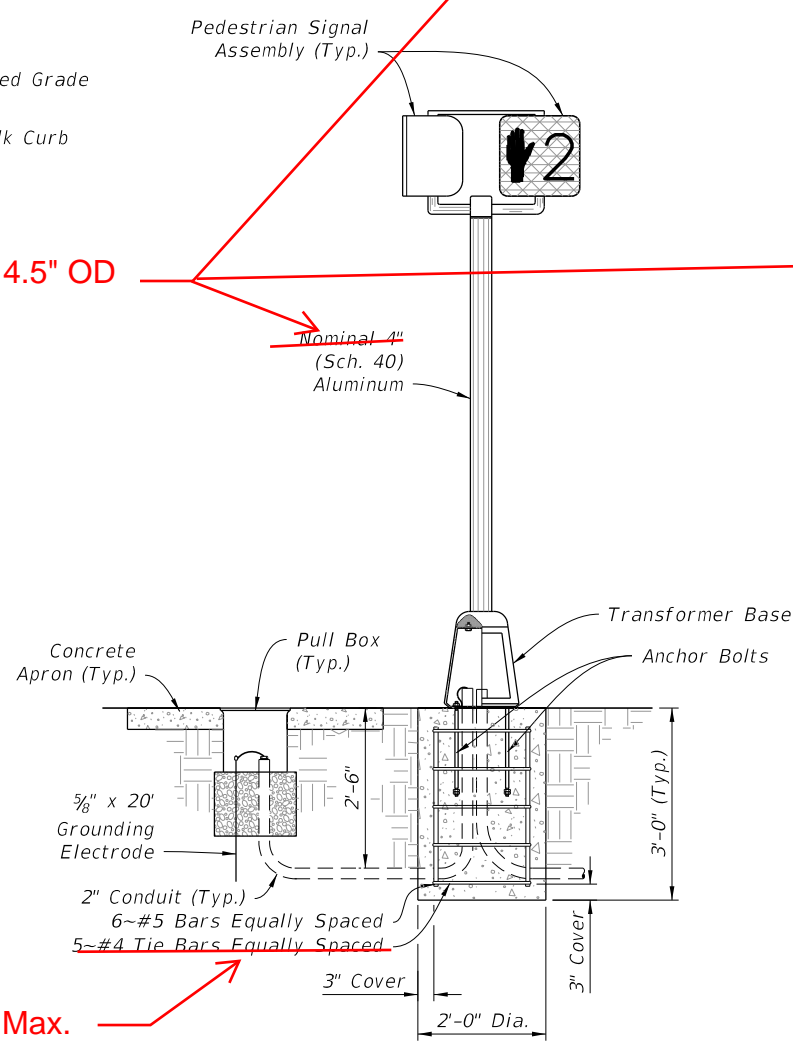


**CHANGED TO: #4 Stirrups Equally Spaced, 12" Max.**

ADJACENT TO SIDEWALK

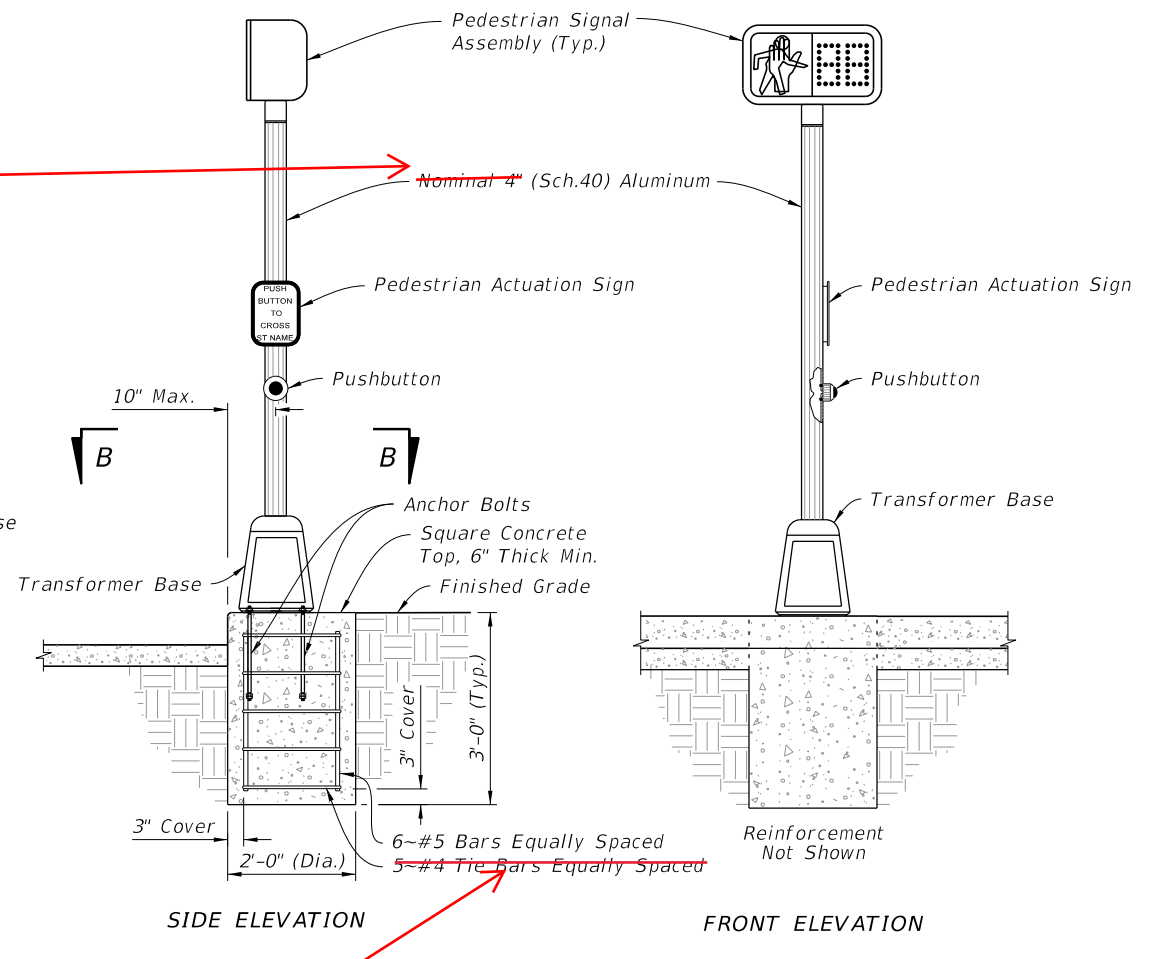
IN SIDEWALK CURB

POST MOUNTED



ADJACENT TO SIDEWALK

**CHANGED TO: #4 Stirrups Equally Spaced, 12" Max.**



IN SIDEWALK CURB  
(Conduit And Grounding Not Shown)

PEDESTAL MOUNTED

10/12/2020 8:20:14 AM

LAST REVISION	DESCRIPTION:
11/01/20	
11/01/21	

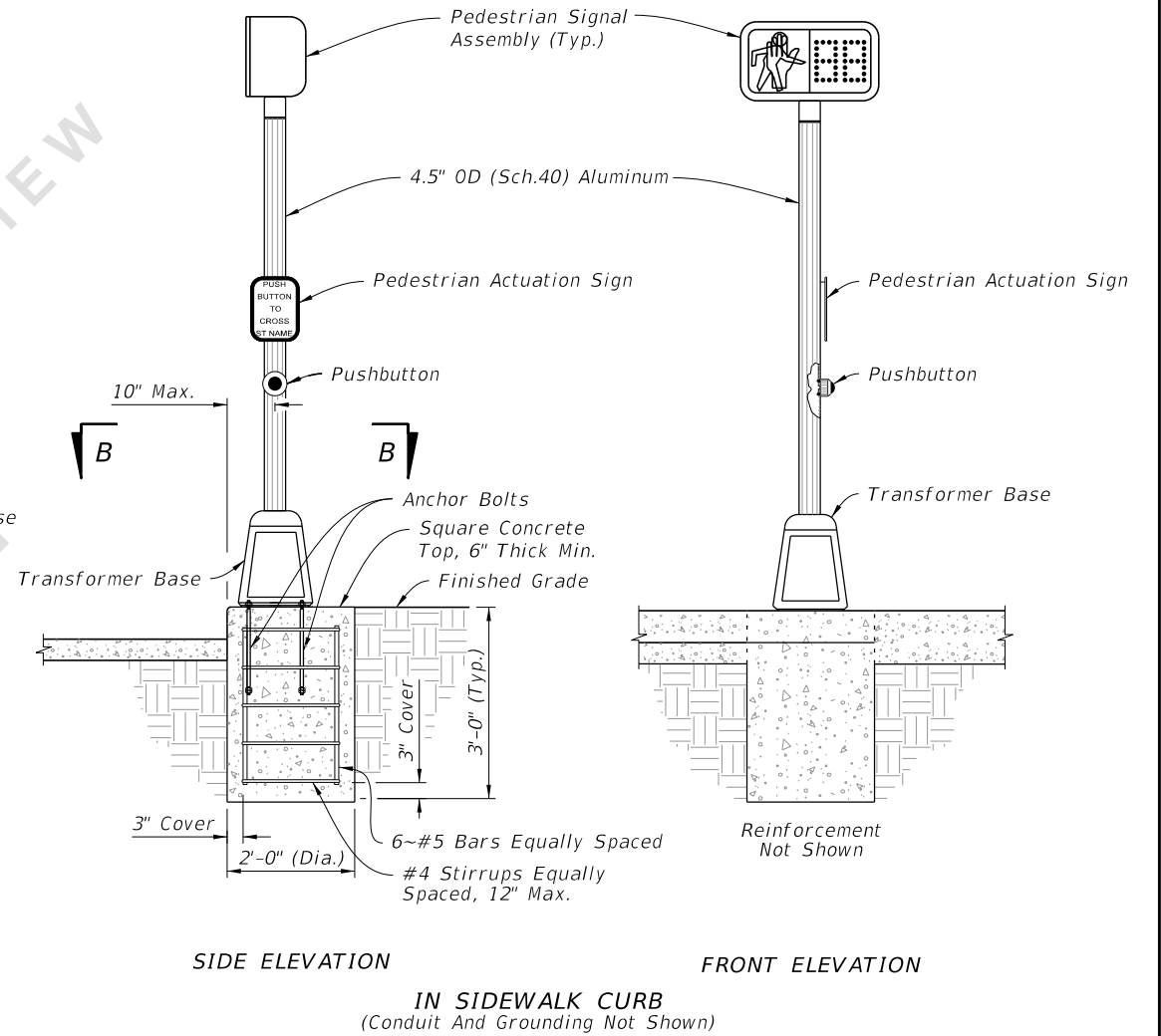
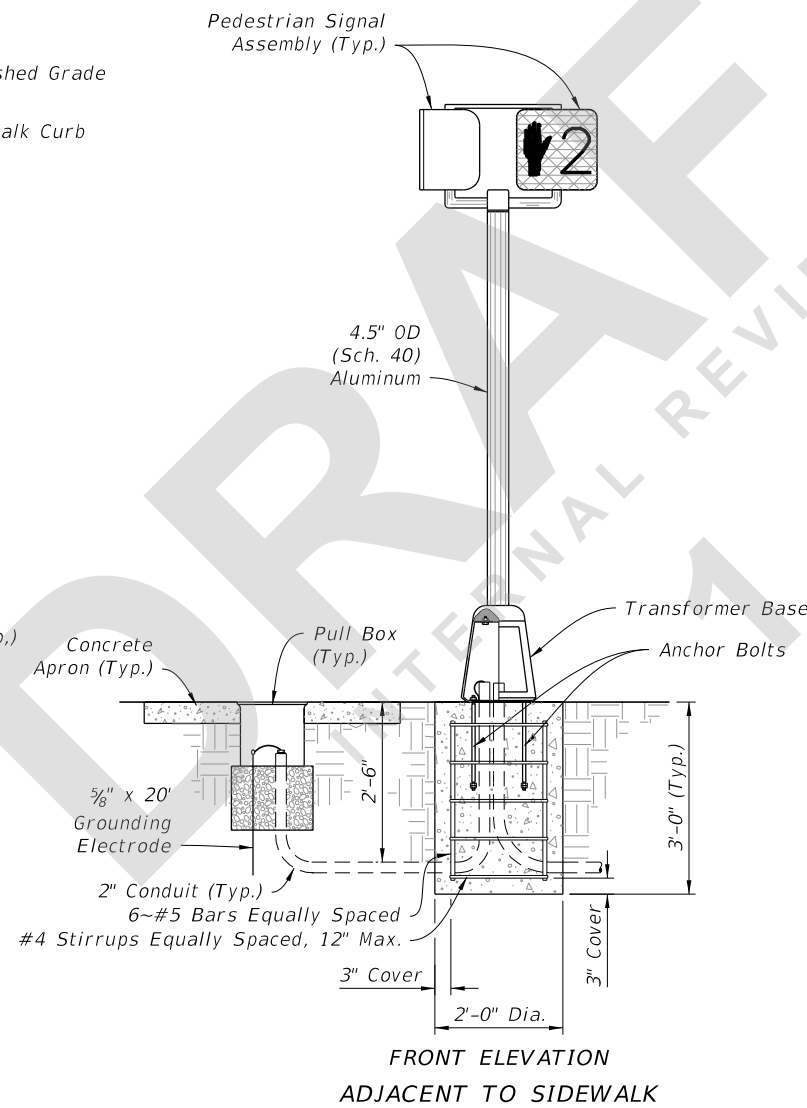
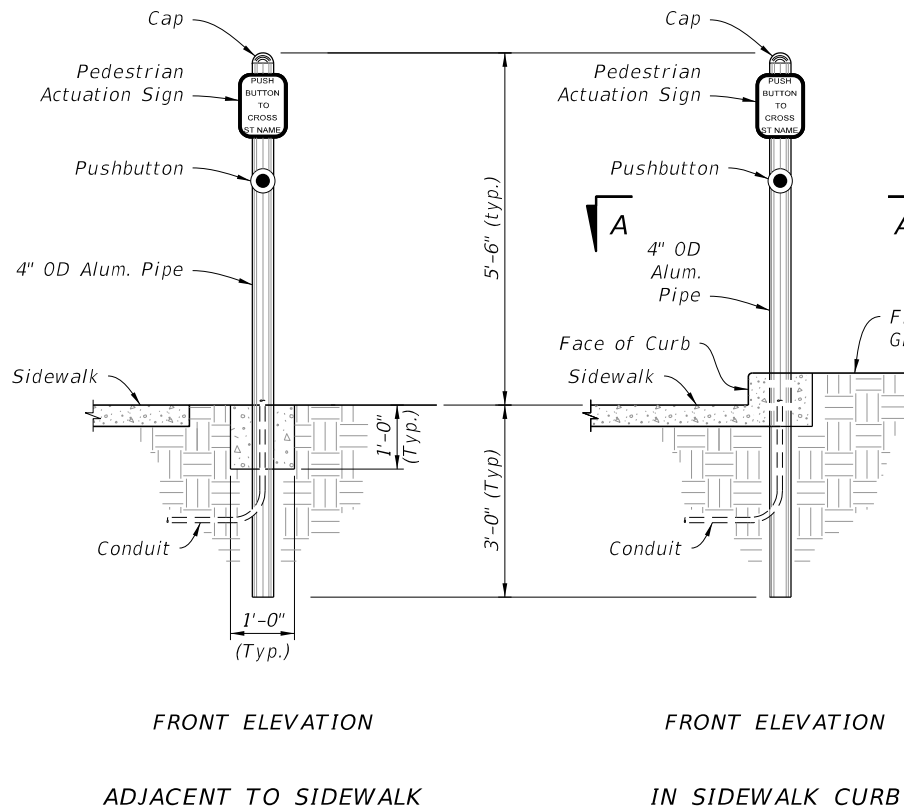
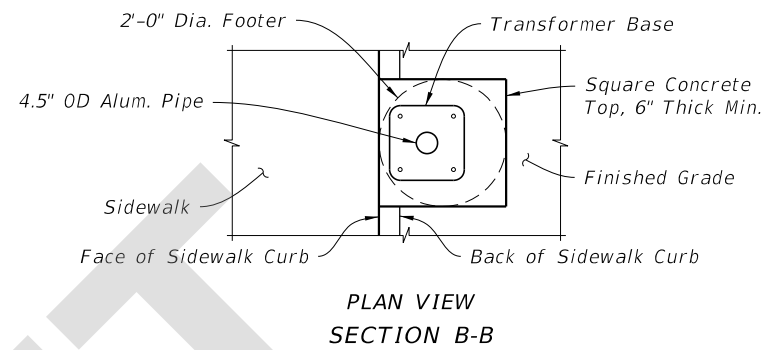
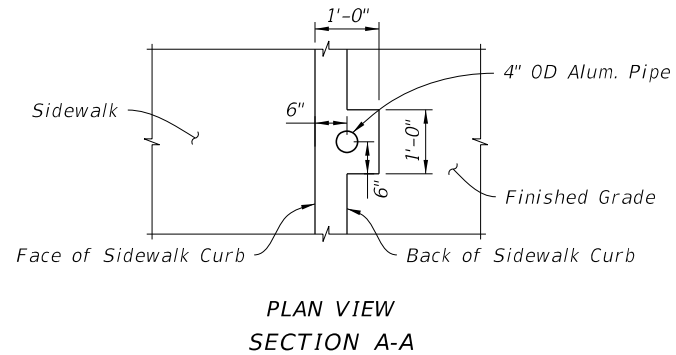
**FDOT**  
FY 2021-22  
STANDARD PLANS

ALUMINUM POST AND PEDESTAL MOUNTED  
PEDESTRIAN DETECTORS AND SIGNALS

INDEX	SHEET
646-001	1 of 1

**NOTES:**


1. Work this Index with Specification 646.
2. For Pedestrian Signals see Index 653-001.
3. For Pedestrian Detector Assembly (i.e., Pushbutton and Sign) details see Index 665-001.
4. Footing may be Cast-In-Place (C-I-P) or Precast.
5. As an alternative to the direct buried "Post Mounted" Pedestrian Detector Assembly shown below, the post may be installed on a transformer base. Use a transformer base included on the APL approved as an alternative to a "Post Mounted" assembly,



POST MOUNTED

PEDESTAL MOUNTED

8/3/2021 12:00:52 PM

LAST REVISION 11/01/21	DESCRIPTION:	 FY 2022-23 STANDARD PLANS	ALUMINUM POST AND PEDESTAL MOUNTED PEDESTRIAN DETECTORS AND SIGNALS	INDEX 646-001	SHEET 1 of 1
---------------------------	--------------	-----------------------------------------------------------------------------------------------------------------------	------------------------------------------------------------------------	------------------	-----------------