
ORIGINATION FORM

Proposed Revisions to a Standard Plans Index
(Please provide all information — Incomplete forms will be returned)

Contact Information:

Date: January 28, 2021
Originator: Rick Jenkins
Phone: (850) 414-4355
Email: rick.jenkins@dot.state.fl.us

Standard Plans:

Index Number: 515-052
Sheet Number (s): 5
Index Title: Pedestrian/Bicycle Railing (Steel)

Summary of the changes:

Sheet 5- Added knuckled selvage as an option to the chain-link railing option

Commentary / Background:

The selvage requirements detailed on Index 515-052 were based on a conservative approach to secure the bottom edge. Using knuckle selvage top and bottom would be acceptable.

Other Affected Offices / Documents: (Provide name of person contacted)

Yes	No	
<input checked="" type="checkbox"/>	<input type="checkbox"/>	Other Standard Plans –
<input type="checkbox"/>	<input checked="" type="checkbox"/>	FDOT Design Manual –
<input type="checkbox"/>	<input type="checkbox"/>	Basis of Estimates Manual –
<input type="checkbox"/>	<input type="checkbox"/>	Standard Specifications –
<input type="checkbox"/>	<input type="checkbox"/>	Approved Product List –
<input type="checkbox"/>	<input type="checkbox"/>	Construction –
<input type="checkbox"/>	<input type="checkbox"/>	Maintenance –

Origination Package Includes:

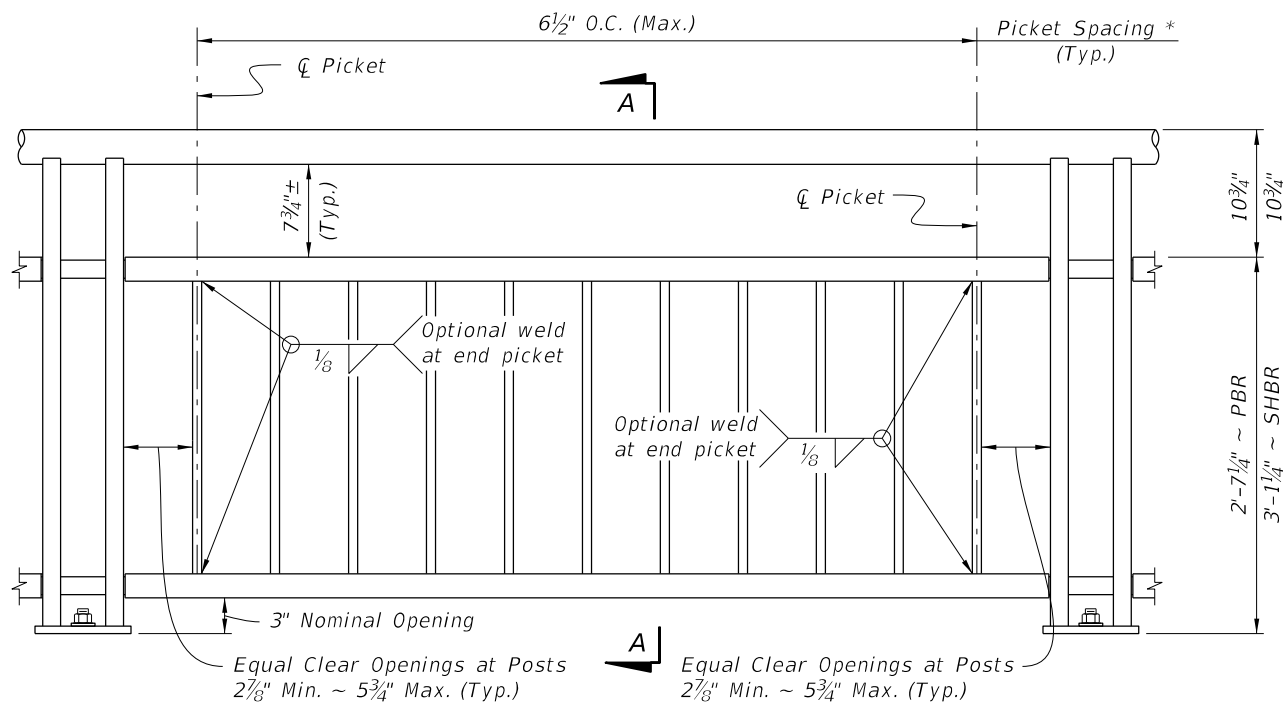
(Email or hand deliver package to Rick Jenkins)

Yes	N/A	
<input checked="" type="checkbox"/>	<input type="checkbox"/>	Redline Mark-ups
<input type="checkbox"/>	<input type="checkbox"/>	Proposed Standard Plan Instruction (SPI)
<input type="checkbox"/>	<input type="checkbox"/>	Revised SPI
<input type="checkbox"/>	<input type="checkbox"/>	Other Support Documents

Implementation:

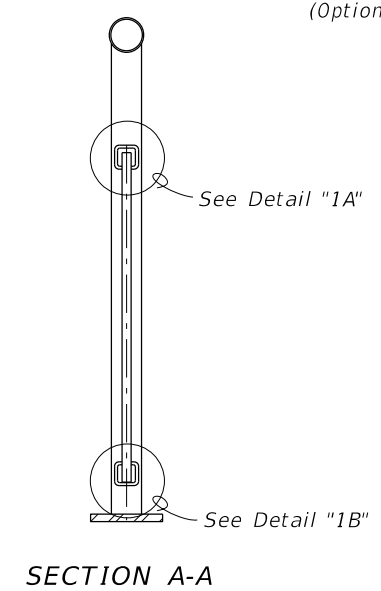
<input type="checkbox"/>	Design Bulletin (Interim)
<input type="checkbox"/>	DCE Memo
<input type="checkbox"/>	Program Mgmt. Bulletin
<input checked="" type="checkbox"/>	FY-Standard Plans (Next Release)

Contact the Roadway Design Office for assistance in completing this form

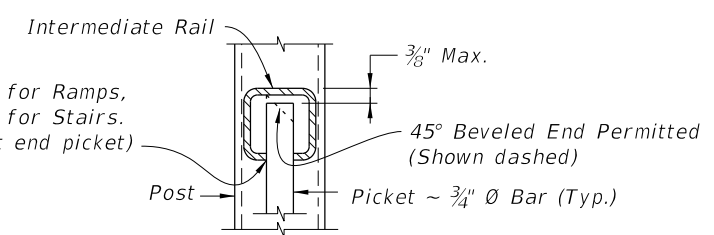


TYPE 1 - PICKET INFILL PANEL

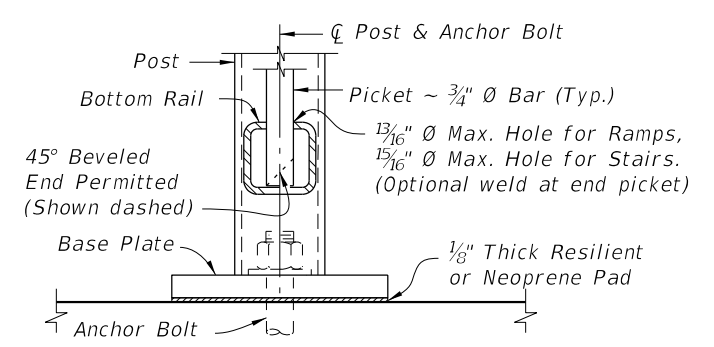
PICKET NOTES:
 * Picket Spacing of 6 1/2" centers is based on a 3/4" Ø Bar for standard applications. When shown in the Contract Plans a 4 1/2" picket spacing may be required. See Note 4 (Sheet 1).



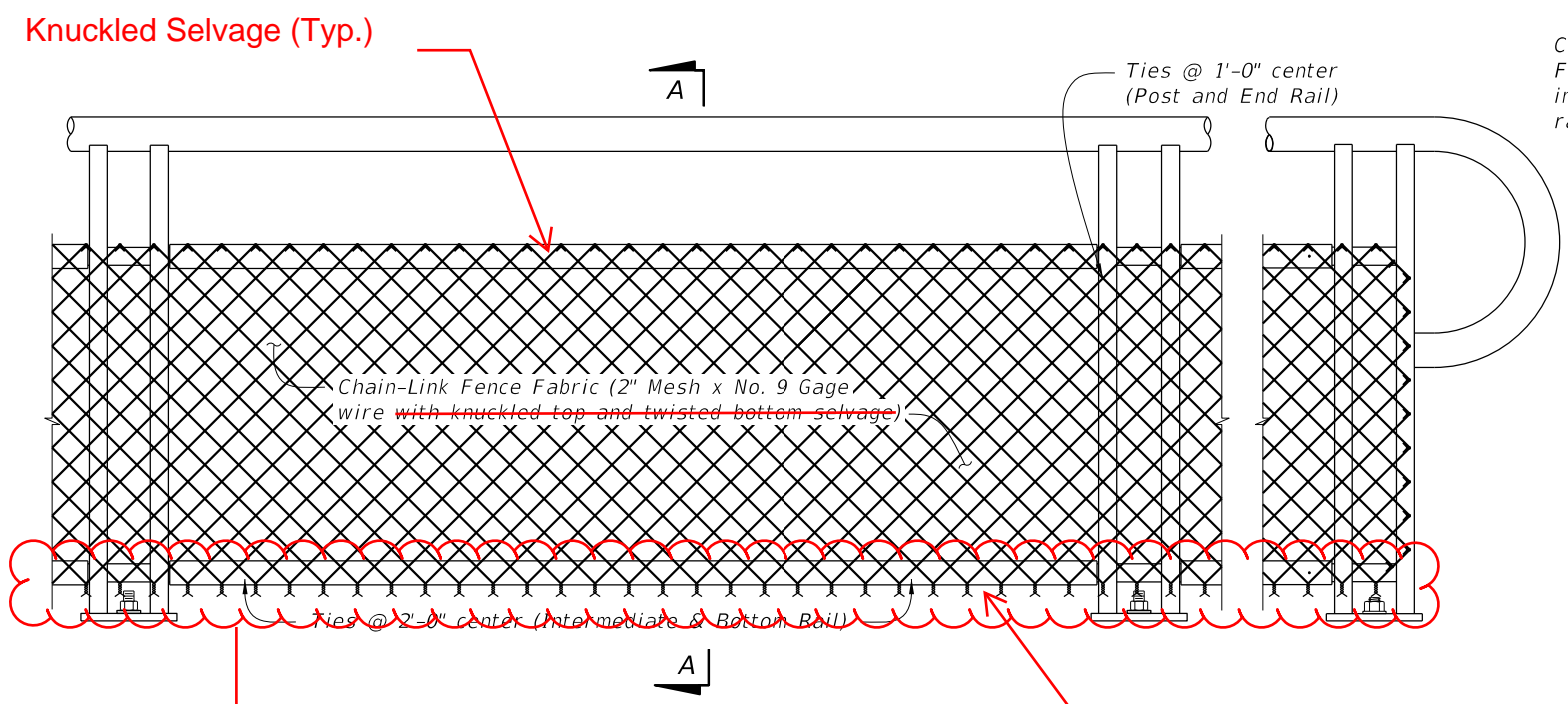
SECTION A-A



DETAIL "1A"
(Top of Picket Connection)



DETAIL "1B"
(Bottom of Picket Connection)

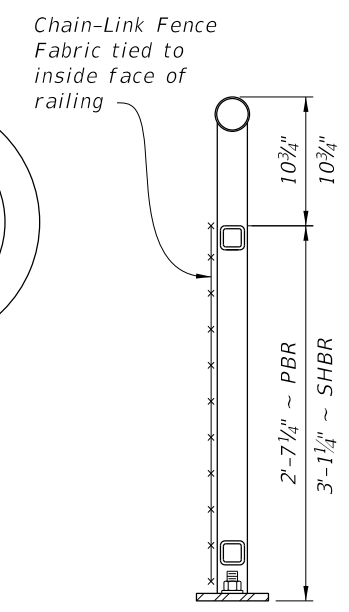


TYPE 2 - CHAIN-LINK (Continuous Infill Panel)

Redraw as knuckled

Knuckled Selvage (Typ.)

NOTES:
 1. See Plans for Infill Panel option required.



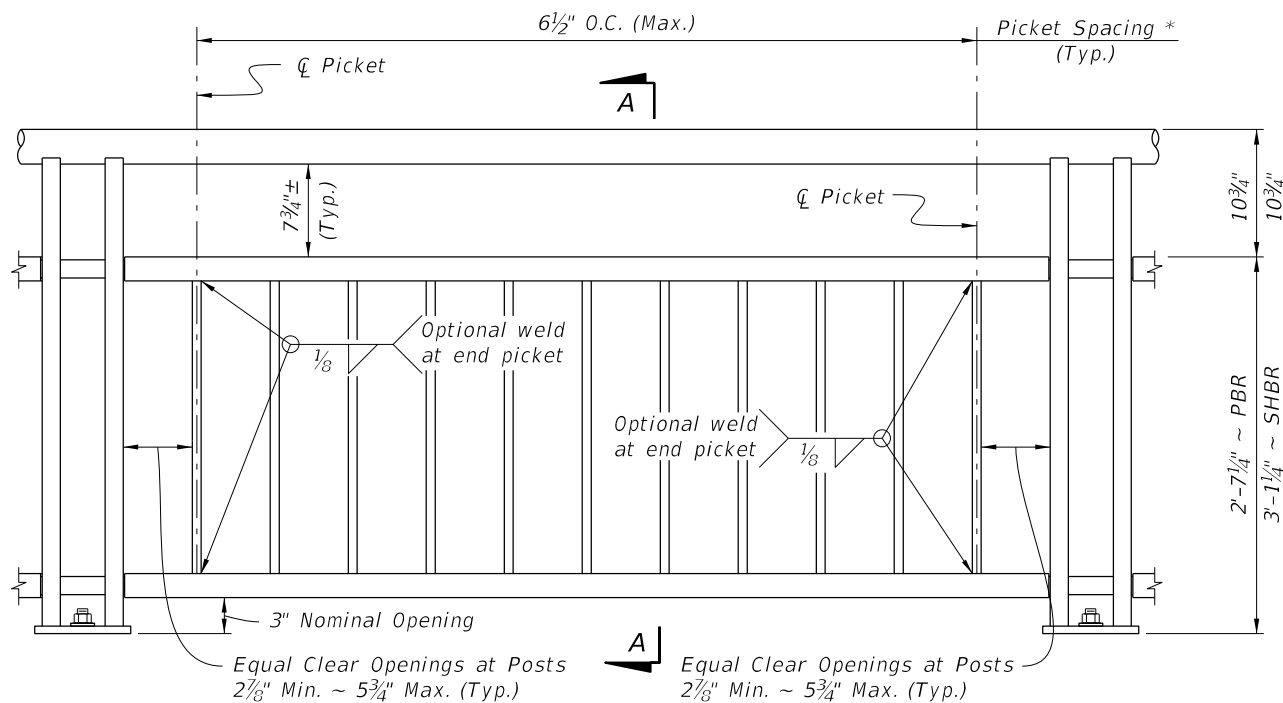
SECTION A-A

TABLE 2 - CHAIN-LINK PANEL COMPONENT MATERIALS		
COMPONENT	ASTM	COMPONENT INFORMATION
Chain-Link Fence Fabric (2" mesh with twisted bottom and knuckled top selvage)	A 392	Zinc-Coated Steel - No. 9 gage (coated wire diameter), Class 2 Coating
	A 491	Aluminum-Coated Steel - No. 9 gage (coated wire diameter)
	F 668	Polyvinyl Chloride (PVC) Coated Steel - No. 9 gage Zinc-Coated Wire (metallic-coated core wire diameter) ~ See Plans for specified color of PVC.
Tie Wires	F 626	Zinc-Coated Steel Wire - No. 9 gage with coating to match Chain-Link Fence Fabric.
Tension Bars	F 626	3/16" (Min. thickness) x 3/4" (Min. width) x 2'-3' (Min. height) Steel Bars
Miscellaneous Fence Components	F 626	Zinc-Coated Steel

CHAIN-LINK PANEL NOTE:
 Chain-Link Fence Fabric shall be continuous along limits of railing. Splicing of Chain-Link panels using Tension Bars at 20'-0" minimum increments is permitted.

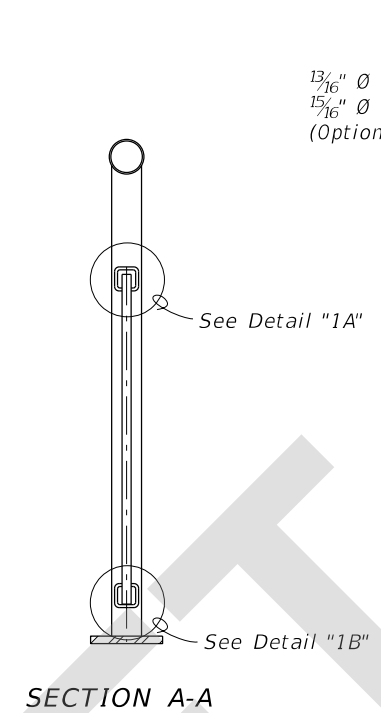
2" mesh with knuckled top and bottom selvage

10/12/2020 7:29:39 AM

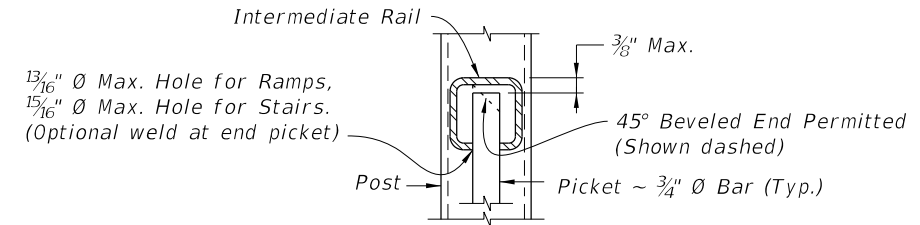


TYPE 1 - PICKET INFILL PANEL

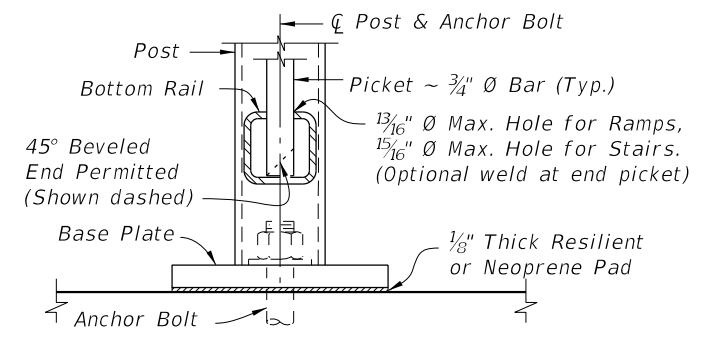
PICKET NOTES:
 * Picket Spacing of 6 1/2" centers is based on a 3/4" Ø Bar for standard applications.
 When shown in the Contract Plans a 4 1/2" picket spacing may be required. See Note 4 (Sheet 1).



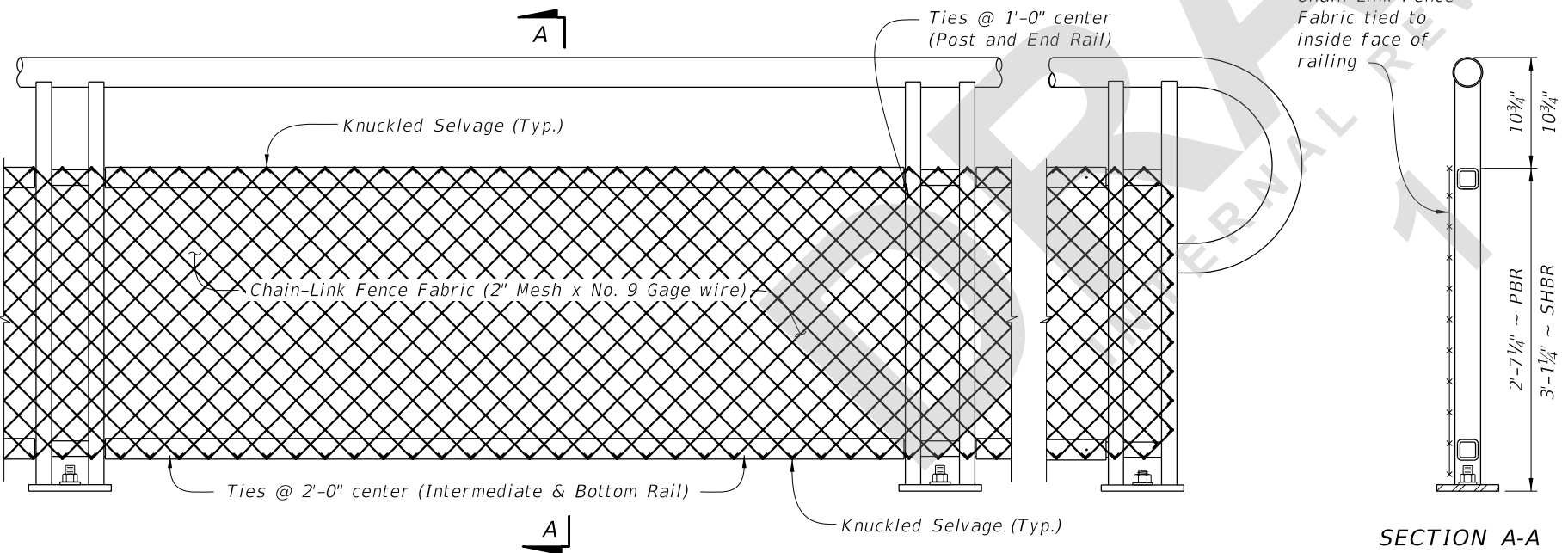
SECTION A-A



DETAIL "1A"
(Top of Picket Connection)

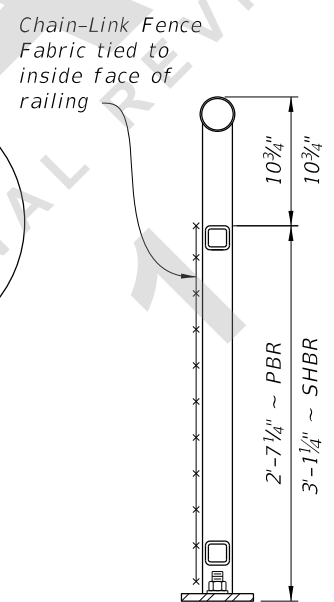


DETAIL "1B"
(Bottom of Picket Connection)



TYPE 2 - CHAIN-LINK (Continuous Infill Panel)

NOTES:
 1. See Plans for Infill Panel option required.



SECTION A-A

TABLE 2 - CHAIN-LINK PANEL COMPONENT MATERIALS		
COMPONENT	ASTM	COMPONENT INFORMATION
Chain-Link Fence Fabric (2" mesh with knuckled top and bottom selvage)	A 392	Zinc-Coated Steel - No. 9 gage (coated wire diameter), Class 2 Coating
	A 491	Aluminum-Coated Steel - No. 9 gage (coated wire diameter)
	F 668	Polyvinyl Chloride (PVC) Coated Steel - No. 9 gage Zinc-Coated Wire (metallic-coated core wire diameter) ~ See Plans for specified color of PVC.
Tie Wires	F 626	Zinc-Coated Steel Wire - No. 9 gage with coating to match Chain-Link Fence Fabric.
Tension Bars	F 626	3/16" (Min. thickness) x 3/4" (Min. width) x 2'-3' (Min. height) Steel Bars
Miscellaneous Fence Components	F 626	Zinc-Coated Steel

CHAIN-LINK PANEL NOTE:
 Chain-Link Fence Fabric shall be continuous along limits of railing.
 Splicing of Chain-Link panels using Tension Bars at 20'-0" minimum increments is permitted.

SDATES