

---

## ORIGINATION FORM

---

Proposed Revisions to a Standard Plans Index  
(Please provide all information — Incomplete forms will be returned)

**Contact Information:**

Date: April 6, 2021  
Originator: Joshua Turley  
Phone: (850) 414-4475  
Email: [joshua.turley@dot.state.fl.us](mailto:joshua.turley@dot.state.fl.us)

**Standard Plans:**

Index Number: 450-199  
Sheet Number (s): Sheet 1  
Index Title: PRESTRESSED I-BEAMS BUILD-UP & DEF  
DATA



**Summary of the changes:**

Change the camber tolerance 1" from 1/2".

**Commentary / Background:**

**Other Affected Offices / Documents:** (Provide name of person contacted)

- | Yes                      | No                                  |                             |
|--------------------------|-------------------------------------|-----------------------------|
| <input type="checkbox"/> | <input checked="" type="checkbox"/> | Other Standard Plans –      |
| <input type="checkbox"/> | <input checked="" type="checkbox"/> | FDOT Design Manual –        |
| <input type="checkbox"/> | <input checked="" type="checkbox"/> | Basis of Estimates Manual – |
| <input type="checkbox"/> | <input checked="" type="checkbox"/> | Standard Specifications –   |
| <input type="checkbox"/> | <input checked="" type="checkbox"/> | Approved Product List –     |
| <input type="checkbox"/> | <input checked="" type="checkbox"/> | Construction –              |
| <input type="checkbox"/> | <input checked="" type="checkbox"/> | Maintenance –               |

**Origination Package Includes:**

(Email or hand deliver package to Rick Jenkins)

- | Yes                                 | N/A                      |  |
|-------------------------------------|--------------------------|--|
| <input checked="" type="checkbox"/> | <input type="checkbox"/> | Redline Mark-ups                         |
| <input type="checkbox"/>            | <input type="checkbox"/> | Proposed Standard Plan Instruction (SPI) |
| <input type="checkbox"/>            | <input type="checkbox"/> | Revised SPI                              |
| <input type="checkbox"/>            | <input type="checkbox"/> | Other Support Documents                  |

**Implementation:**

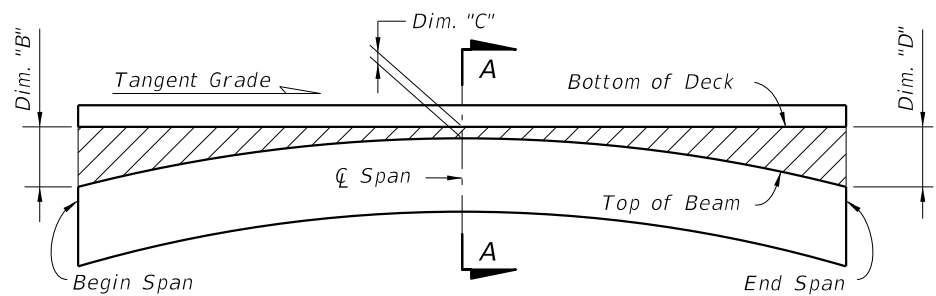
- |                                     |                                  |
|-------------------------------------|----------------------------------|
| <input type="checkbox"/>            | Design Bulletin (Interim)        |
| <input type="checkbox"/>            | DCE Memo                         |
| <input checked="" type="checkbox"/> | Program Mgmt. Bulletin           |
| <input checked="" type="checkbox"/> | FY-Standard Plans (Next Release) |

---

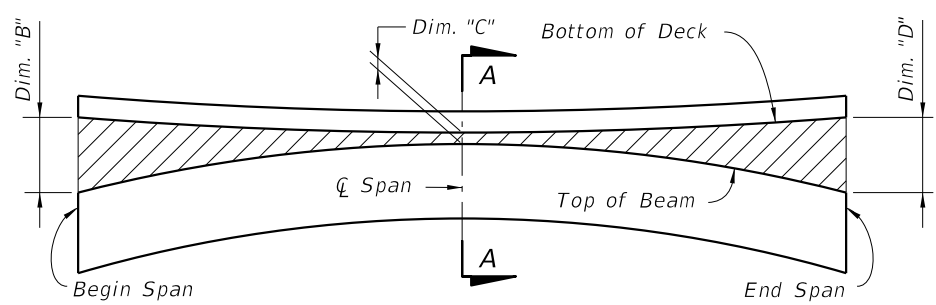
Contact the Roadway Design Office for assistance in completing this form

---

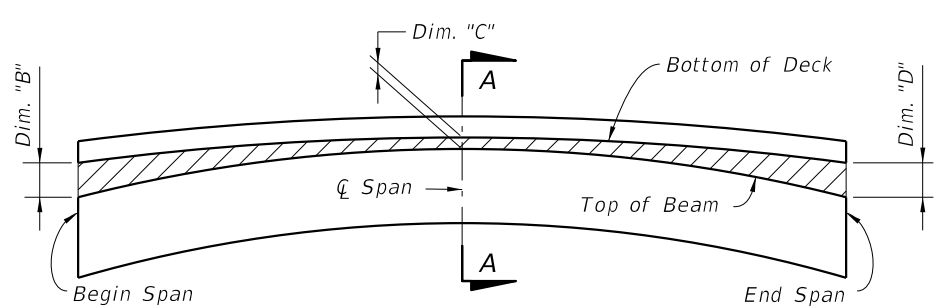
Email to: Rick Jenkins [rick.jenkins@dot.state.fl.us](mailto:rick.jenkins@dot.state.fl.us) and Darren Martin [darren.martin@dot.state.fl.us](mailto:darren.martin@dot.state.fl.us)



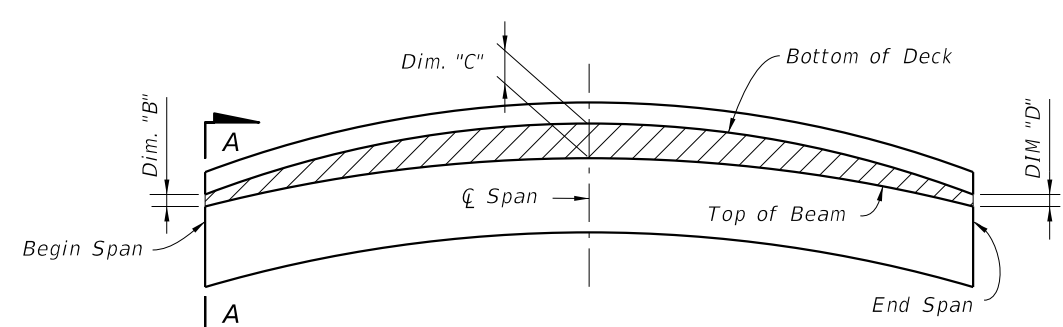
**BUILD-UP DIAGRAM FOR TANGENT SPANS  
(ALONG  $\bar{C}$  BEAM) (CASE 1)**



**BUILD-UP DIAGRAM FOR SAG VERTICAL CURVE & HORIZONTAL CURVE SPANS  
(ALONG  $\bar{C}$  BEAM) (CASE 2)**



**BUILD-UP DIAGRAM FOR CREST VERTICAL CURVE SPANS  
- CONTROL AT  $\bar{C}$  SPAN  
(ALONG  $\bar{C}$  BEAM) (CASE 3)**

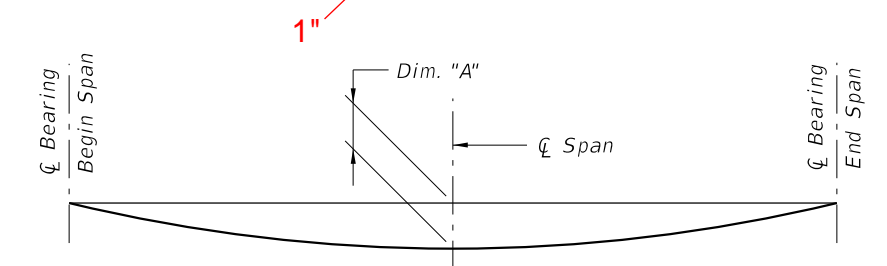


**BUILD-UP DIAGRAM FOR CREST VERTICAL CURVE SPANS  
- CONTROL AT BEGIN OR END SPAN  
(ALONG  $\bar{C}$  BEAM) (CASE 4)**

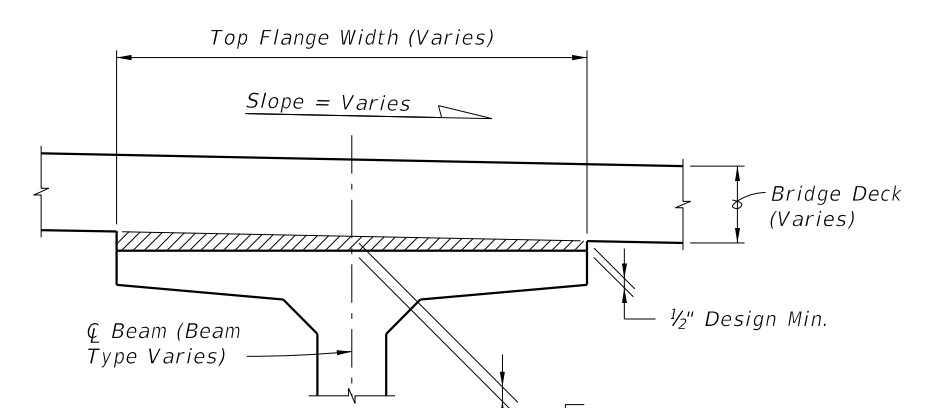
**BEAM CAMBER AND BUILD-UP NOTES:**

The build-up values given in the Data Table\* are based on theoretical beam cambers. The Contractor shall monitor beam cambers for the purpose of predicting camber values at the time of the deck pour. If the predicted cambers based on field measurements differ more than  $\pm 1/2$ " from the theoretical "Net Beam Camber @ 120 Days" shown in the Data Table\*, obtain approval from the Engineer to modify the build-up dimensions as required. When the measured beam cambers create a conflict with the bottom mat of deck steel, notify the Engineer a minimum of 21 days prior to casting.

Dim. "A" includes the weight of the Stay-In-Place Formwork.



**DEAD LOAD DEFLECTION DIAGRAM**



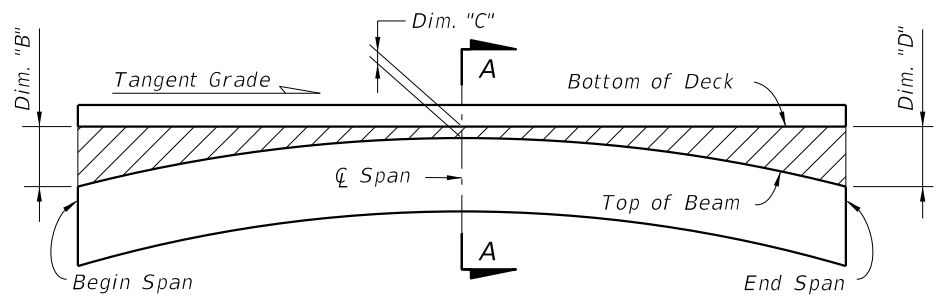
**SECTION A-A  
BUILD-UP OVER BEAMS  
(Florida-I Beam Shown  
AASHTO Type II Similar)**

For Cases 1, 2 & 3 = DIM "C"  
For Case 4 = DIM "B" or DIM "D"

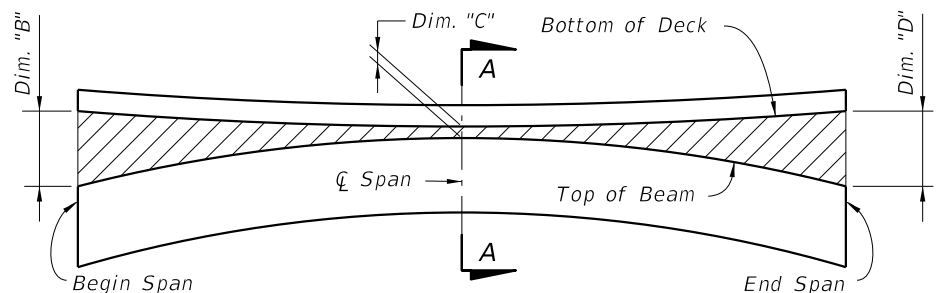
\* NOTE:  
Work this Index with the Build-up and Deflection Data Table for Florida-I and AASHTO Type II Beams in Structures Plans.

10/8/2020 10:36:50 AM

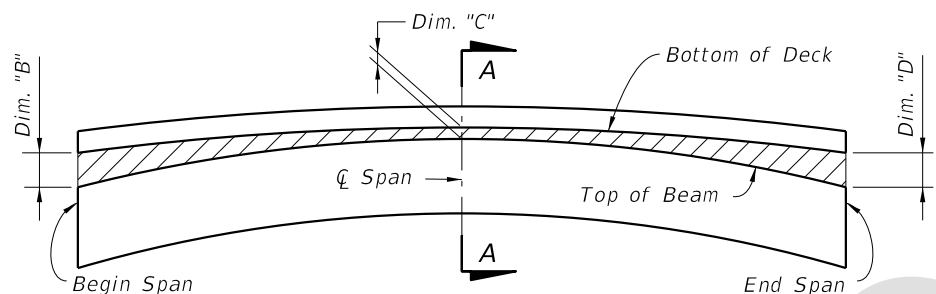
LAST REVISION 07/01/15	DESCRIPTION:	FDOT	FY 2021-22 STANDARD PLANS	PRESTRESSED I-BEAMS BUILD-UP & DEFLECTION DATA	INDEX 450-199	SHEET 1 of 1
---------------------------	--------------	------	------------------------------	---	------------------	-----------------



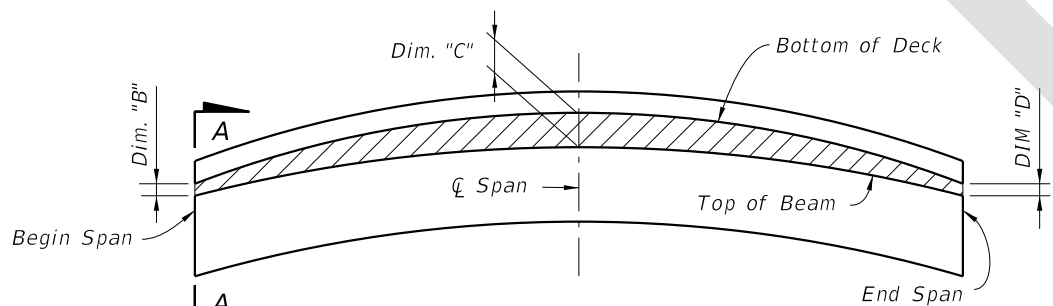
BUILD-UP DIAGRAM FOR TANGENT SPANS  
(ALONG  $\bar{C}$  BEAM) (CASE 1)



BUILD-UP DIAGRAM FOR SAG VERTICAL CURVE & HORIZONTAL CURVE SPANS  
(ALONG  $\bar{C}$  BEAM) (CASE 2)



BUILD-UP DIAGRAM FOR CREST VERTICAL CURVE SPANS  
- CONTROL AT  $\bar{C}$  SPAN  
(ALONG  $\bar{C}$  BEAM) (CASE 3)

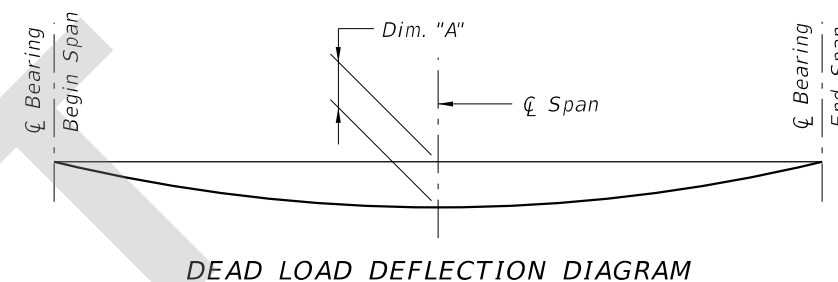


BUILD-UP DIAGRAM FOR CREST VERTICAL CURVE SPANS  
- CONTROL AT BEGIN OR END SPAN  
(ALONG  $\bar{C}$  BEAM) (CASE 4)

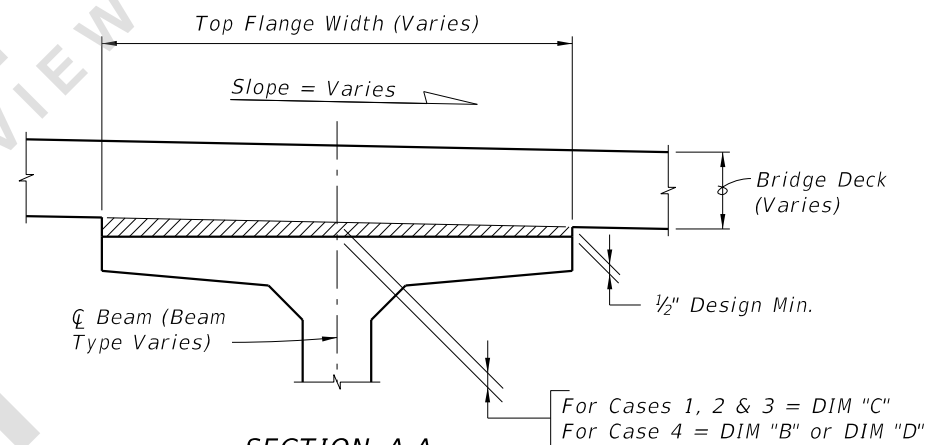
**BEAM CAMBER AND BUILD-UP NOTES:**

The build-up values given in the Data Table\* are based on theoretical beam cambers. The Contractor shall monitor beam cambers for the purpose of predicting camber values at the time of the deck pour. If the predicted cambers based on field measurements differ more than +/- 1" from the theoretical "Net Beam Camber @ 120 Days" shown in the Data Table\*, obtain approval from the Engineer to modify the build-up dimensions as required. When the measured beam cambers create a conflict with the bottom mat of deck steel, notify the Engineer a minimum of 21 days prior to casting.

Dim. "A" includes the weight of the Stay-In-Place Formwork.



DEAD LOAD DEFLECTION DIAGRAM



SECTION A-A  
BUILD-UP OVER BEAMS  
(Florida-I Beam Shown  
AASHTO Type II Similar)

\* NOTE:  
Work this Index with the Build-up and Deflection Data Table for Florida-I and AASHTO Type II Beams in Structures Plans.

SDATES

LAST REVISION 07/01/15	DESCRIPTION:
---------------------------	--------------