
ORIGINATION FORM

Proposed Revisions to a Standard Plans Index
(Please provide all information — Incomplete forms will be returned)

Contact Information:

Date: June 9, 2021
Originator: Tim Holley
Phone: (850) 414-4117
Email: tim.holley@dot.state.fl.us

Standard Plans:

Index Number: 430-001
Sheet Number (s): 4 of 7
Index Title: Miscellaneous Drainage Details

Summary of the changes:

Sheet 4: Moved "Joining Mainline Pipe to Stub Pipe Details" and Notes 2 and 3 to the Standard Plans Instructions:
Deleted Notes 5-7.

Commentary / Background:

The Drainage Manual requires pipe junctions to have topside access via a structure. Deviation from using a structure to join pipes requires District Drainage Engineer approval. While there are applications where the stub to mainline pipe may be needed, the detail is proposed to be removed from the Index to emphasize it as a non-standard item.

Other Affected Offices / Documents: (Provide name of person contacted)

- | Yes | No | |
|--------------------------|-------------------------------------|-----------------------------|
| <input type="checkbox"/> | <input checked="" type="checkbox"/> | Other Standard Plans – |
| <input type="checkbox"/> | <input checked="" type="checkbox"/> | FDOT Design Manual – |
| <input type="checkbox"/> | <input checked="" type="checkbox"/> | Basis of Estimates Manual – |
| <input type="checkbox"/> | <input checked="" type="checkbox"/> | Standard Specifications – |
| <input type="checkbox"/> | <input checked="" type="checkbox"/> | Approved Product List – |
| <input type="checkbox"/> | <input checked="" type="checkbox"/> | Construction – |
| <input type="checkbox"/> | <input checked="" type="checkbox"/> | Maintenance – |

Origination Package Includes:

(Email or hand deliver package to Rick Jenkins)

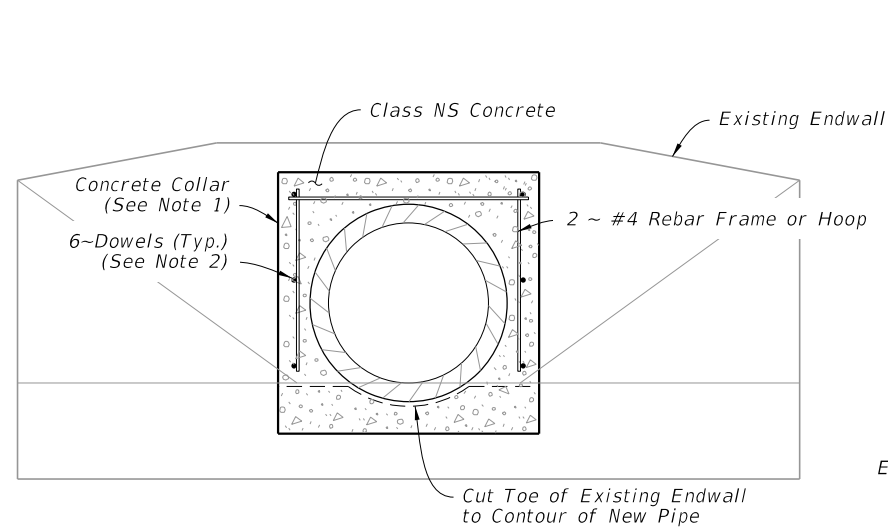
- | Yes | N/A | |
|-------------------------------------|--------------------------|--|
| <input checked="" type="checkbox"/> | <input type="checkbox"/> | Redline Mark-ups |
| <input type="checkbox"/> | <input type="checkbox"/> | Proposed Standard Plan Instruction (SPI) |
| <input type="checkbox"/> | <input type="checkbox"/> | Revised SPI |
| <input type="checkbox"/> | <input type="checkbox"/> | Other Support Documents |

Implementation:

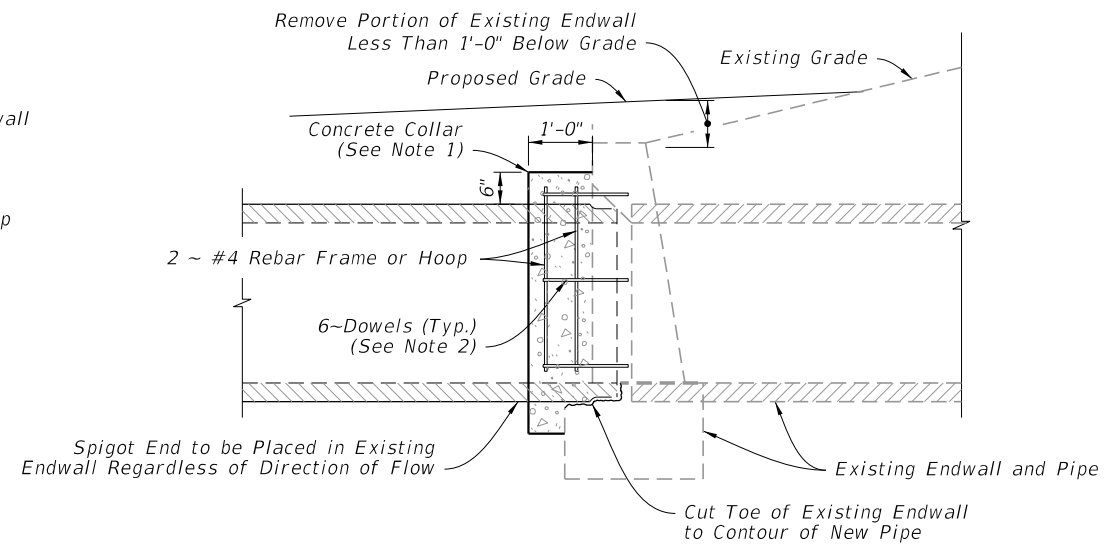
- Design Bulletin (Interim)
- DCE Memo
- Program Mgmt. Bulletin
- FY-Standard Plans (Next Release)

Contact the Roadway Design Office for assistance in completing this form

Email to: Rick Jenkins rick.jenkins@dot.state.fl.us and Darren Martin darren.martin@dot.state.fl.us

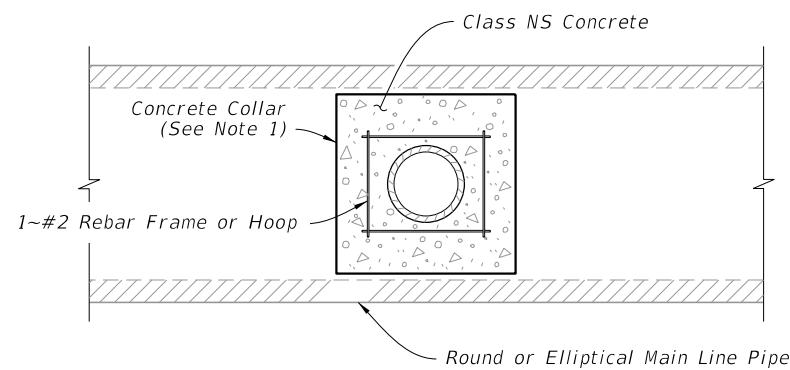


END ELEVATION

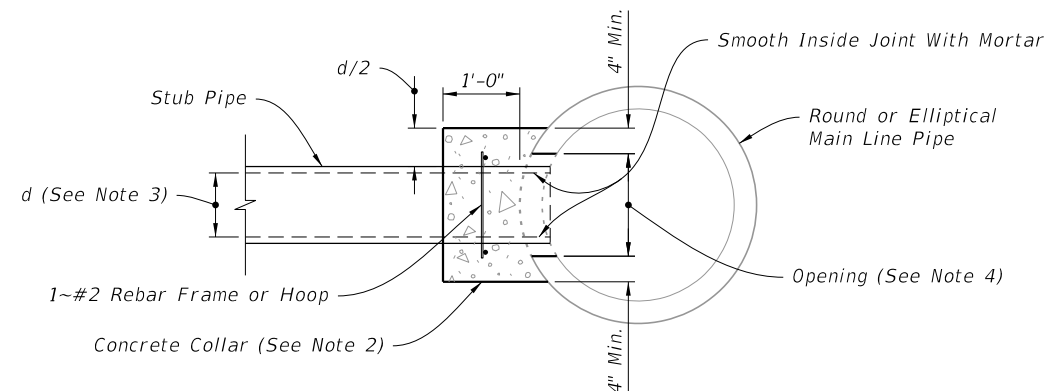


SIDE ELEVATION

EXTENSION OF EXISTING PIPE CULVERTS



STUB END ELEVATION



SIDE ELEVATION

JOINING MAINLINE PIPE TO STUB PIPE

NOTES:

1. The collar may be formed by any method approved by the Engineer.
2. Install 1/2"x16" dowels in adhesive bond material.
3. Stub Pipes maximum diameter: 1/2 of a round main line pipe diameter, or 1/2 the height of elliptical main line pipes.
4. Opening by Pipe Manufacturer.

Moved to SPI

- ~~✗~~ Install riser reinforcement using #5 Bars @ 18" centers vertically and 6" centers horizontally. Bend pipe steel to riser.
- ~~✗~~ Reinforced concrete top required when inlet: manhole or junction box riser is less than 4 feet in diameter; or when 3'-6", alt. b inlet, manhole or junction box riser is used; or when rectangular inlet is used.
- ~~✗~~ See Index 425-001 for optional construction joints.

DELETED

10/12/2020 7:06:05 AM

| LAST REVISION | DESCRIPTION: |
|---------------|--------------|
| 11/01/20 | 11/01/21 |

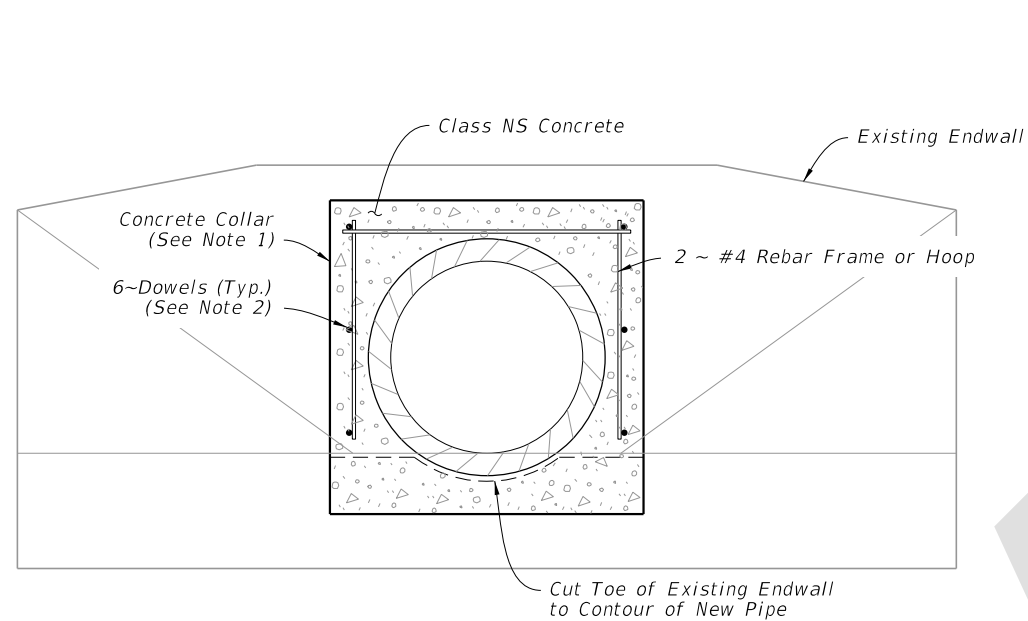


FY 2021-22
STANDARD PLANS

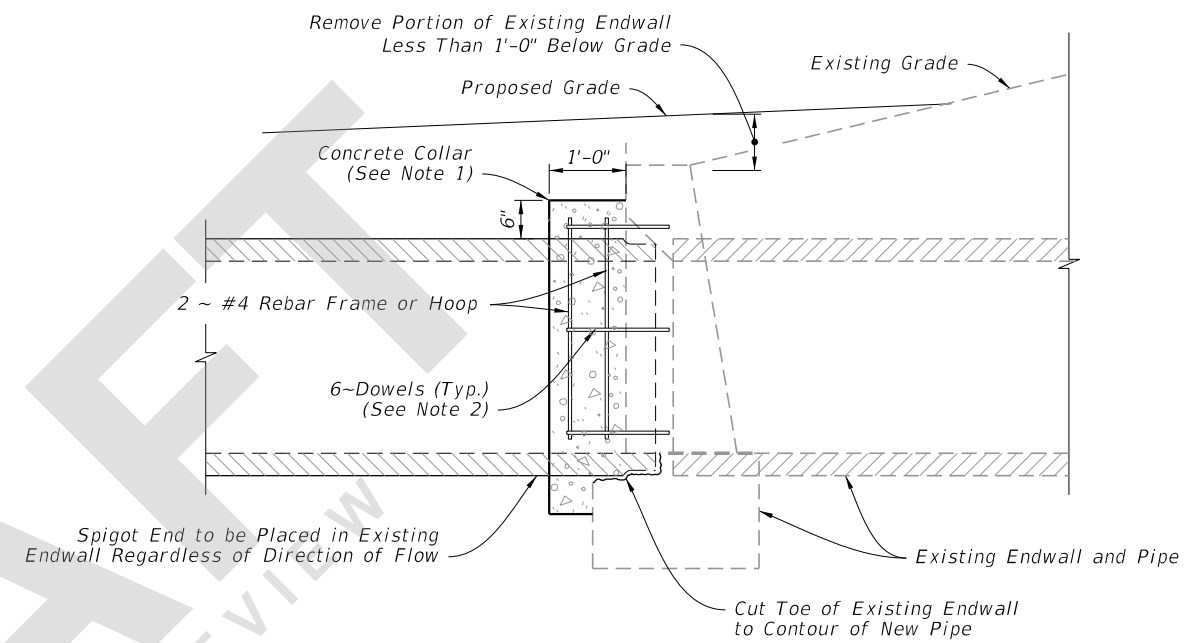
MISCELLANEOUS DRAINAGE DETAILS

CONCRETE COLLARS

INDEX SHEET
430-001 4 of 7



END ELEVATION



SIDE ELEVATION

EXTENSION OF EXISTING PIPE CULVERTS

NOTES:

1. The collar may be formed by any method approved by the Engineer.
2. Install 1/2"x16" dowels in adhesive bond material.

6/21/2021 2:03:14 PM

| | | |
|---------------------------|----------|--------------|
| LAST REVISION 11/01/21 | REVISION | DESCRIPTION: |
|---------------------------|----------|--------------|



FY 2022-23
STANDARD PLANS

MISCELLANEOUS DRAINAGE DETAILS

CONCRETE COLLARS

INDEX
430-001

SHEET
4 of 7