
ORIGINATION FORM

Proposed Revisions to a Standard Plans Index
(Please provide all information — Incomplete forms will be returned)

Contact Information:

Date: April 15, 2021
Originator: Rick Jenkins
Phone: (850) 414-4355
Email: rick.jenkins@dot.state.fl.us

Standard Plans:

Index Number: 425-061
Sheet Number (s): 2
Index Title: Closed Flume Inlet

Summary of the changes:

Revised dimension in Side Elevation detail to "Flume Length Varies (See Plans)". This also requires a change to the SPI. Deleted "Varies from 3' 1/2" to 6'-0" for single barrel flume." from note 4. Deleted "varies" from section A-A and Plan view.

Commentary / Background: +

Remove reference to Dimension "D" in SPI and change text in SPI and Index to "Flume Length" to allow for this to be called for in the Plans. The "varies" callouts were deleted from the section references and note because the sections as shown are not variable.

Other Affected Offices / Documents: (Provide name of person contacted)

- | Yes | No | |
|--------------------------|-------------------------------------|-----------------------------|
| <input type="checkbox"/> | <input checked="" type="checkbox"/> | Other Standard Plans – |
| <input type="checkbox"/> | <input checked="" type="checkbox"/> | FDOT Design Manual – |
| <input type="checkbox"/> | <input checked="" type="checkbox"/> | Basis of Estimates Manual – |
| <input type="checkbox"/> | <input checked="" type="checkbox"/> | Standard Specifications – |
| <input type="checkbox"/> | <input checked="" type="checkbox"/> | Approved Product List – |
| <input type="checkbox"/> | <input checked="" type="checkbox"/> | Construction – |
| <input type="checkbox"/> | <input checked="" type="checkbox"/> | Maintenance – |

Origination Package Includes:

(Email or hand deliver package to Rick Jenkins)

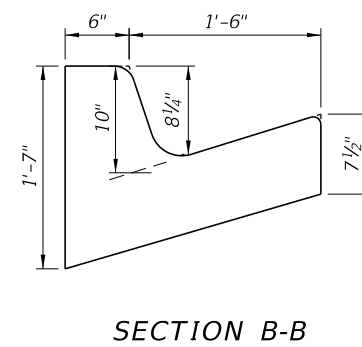
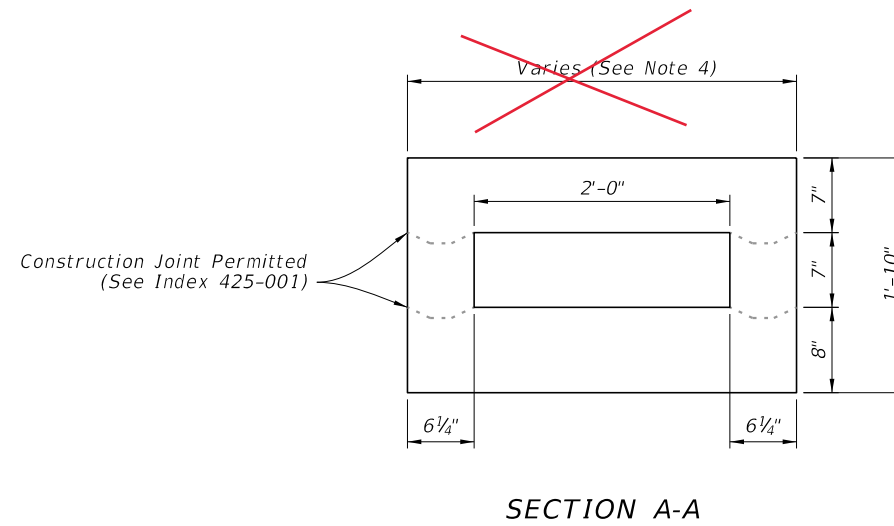
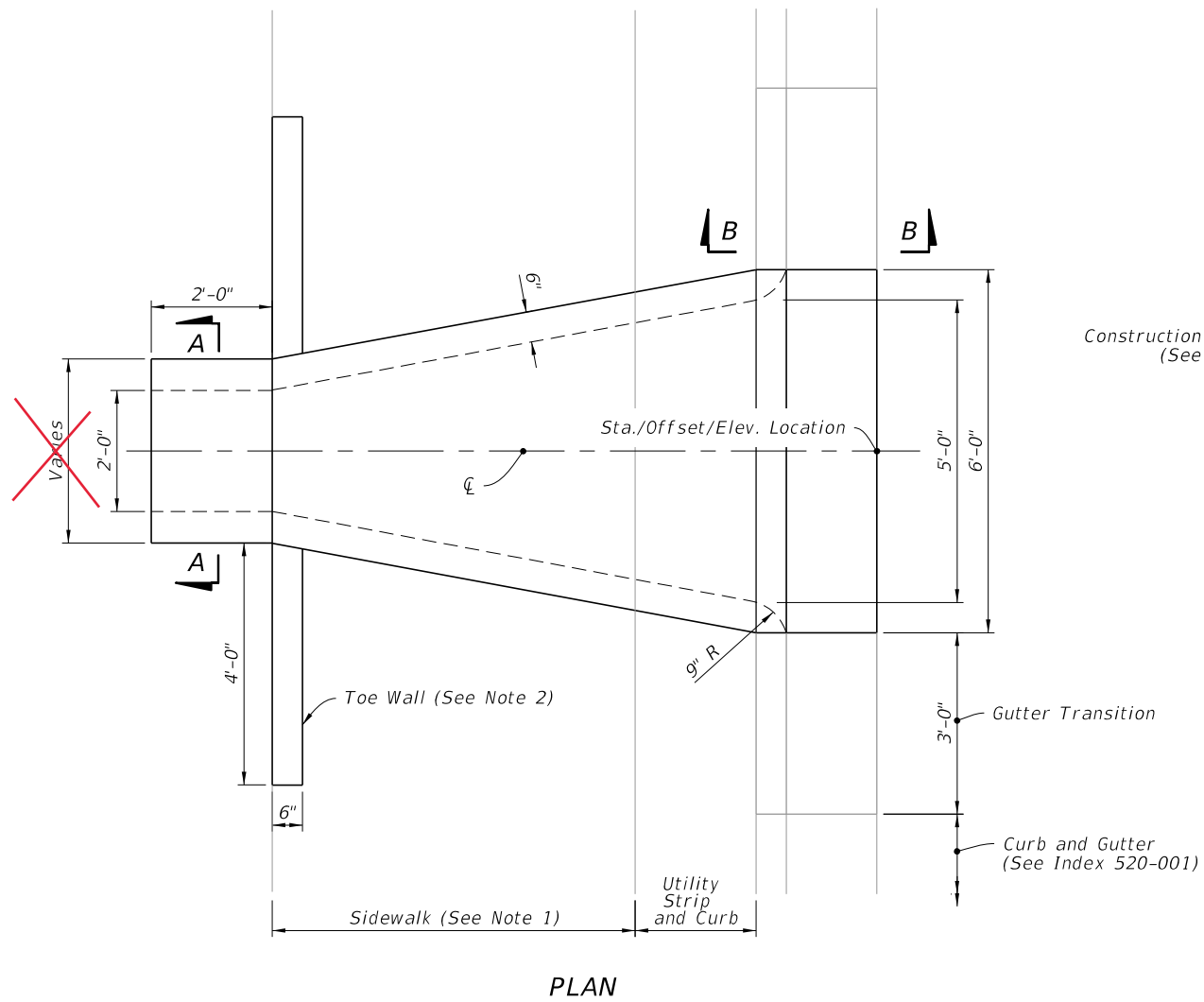
- | Yes | N/A | |
|-------------------------------------|--------------------------|--|
| <input checked="" type="checkbox"/> | <input type="checkbox"/> | Redline Mark-ups |
| <input checked="" type="checkbox"/> | <input type="checkbox"/> | Proposed Standard Plan Instruction (SPI) |
| <input type="checkbox"/> | <input type="checkbox"/> | Revised SPI |
| <input type="checkbox"/> | <input type="checkbox"/> | Other Support Documents |

Implementation:

- | | |
|-------------------------------------|----------------------------------|
| <input type="checkbox"/> | Design Bulletin (Interim) |
| <input type="checkbox"/> | DCE Memo |
| <input type="checkbox"/> | Program Mgmt. Bulletin |
| <input checked="" type="checkbox"/> | FY-Standard Plans (Next Release) |

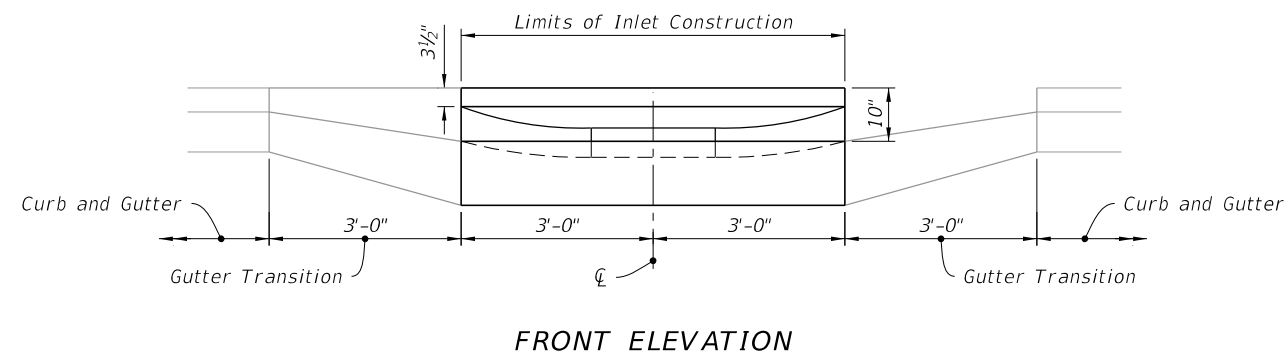
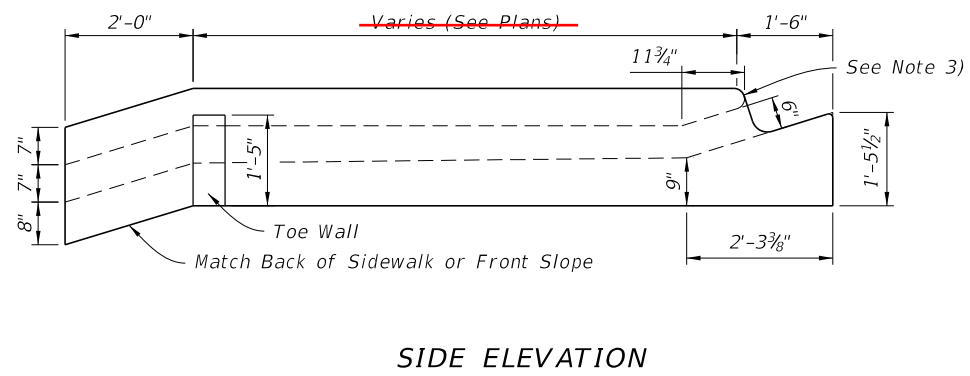
Contact the Roadway Design Office for assistance in completing this form

Email to: Rick Jenkins rick.jenkins@dot.state.fl.us and Darren Martin darren.martin@dot.state.fl.us



- NOTES:**
1. Use sloped section with sidewalk applications only.
 2. Use Toe Walls with Sidewalk application only. For Endwall without Sidewalk see DETAILS on Sheet 4.
 3. Slope to match adjacent curb with 2" top radius and 1 1/4" bottom radius.
 4. ~~Varies from 3'-1/2" to 6'-0" for single barrel flume. See Sheet 5 for multiple barrel flumes span variation.~~

CHANGED TO: Flume Length Varies (See Plans)

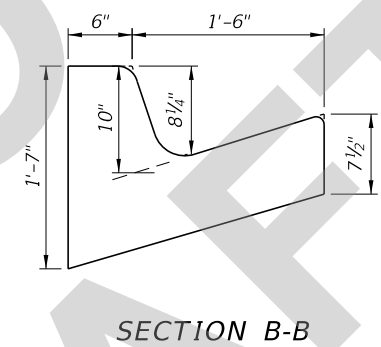
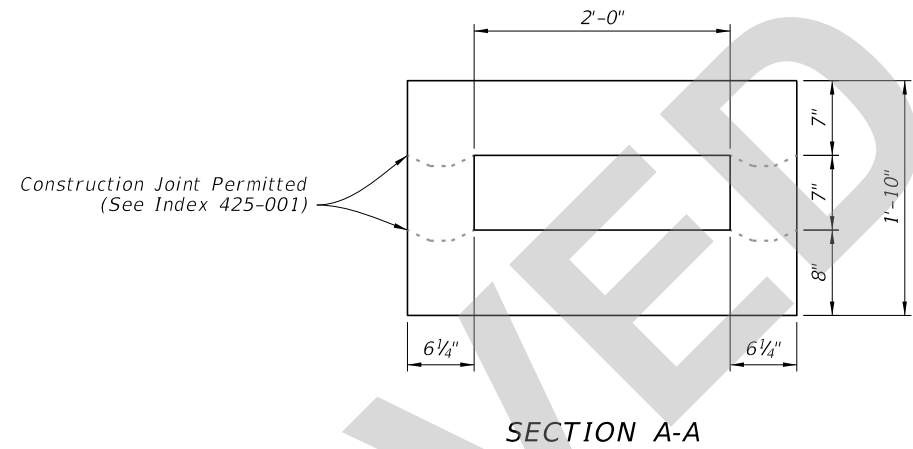
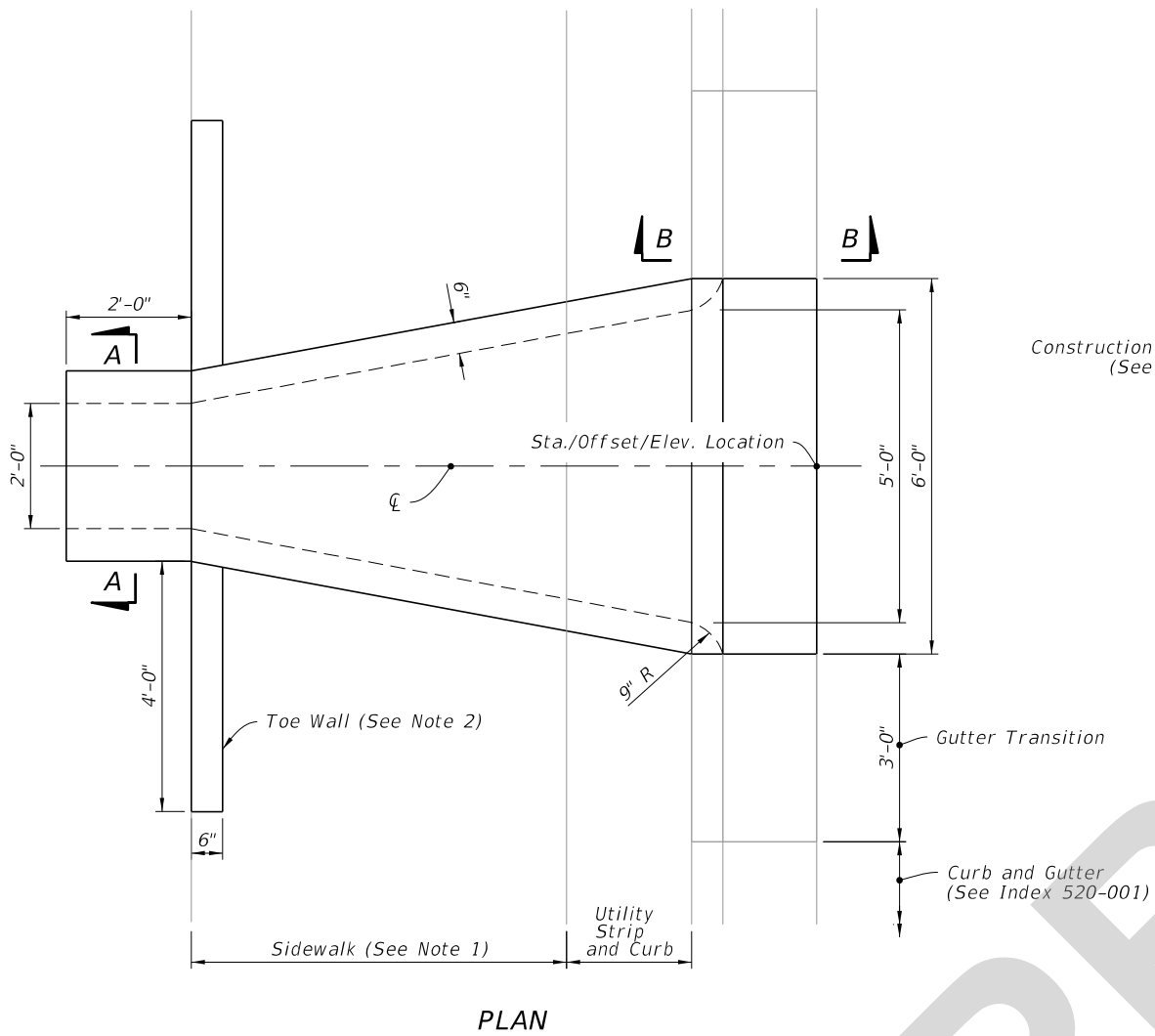


10/12/2020 7:02:28 AM

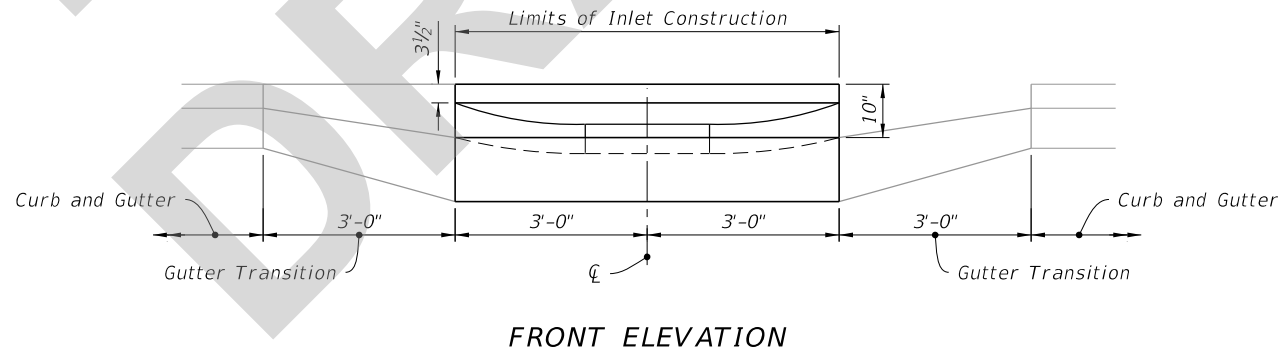
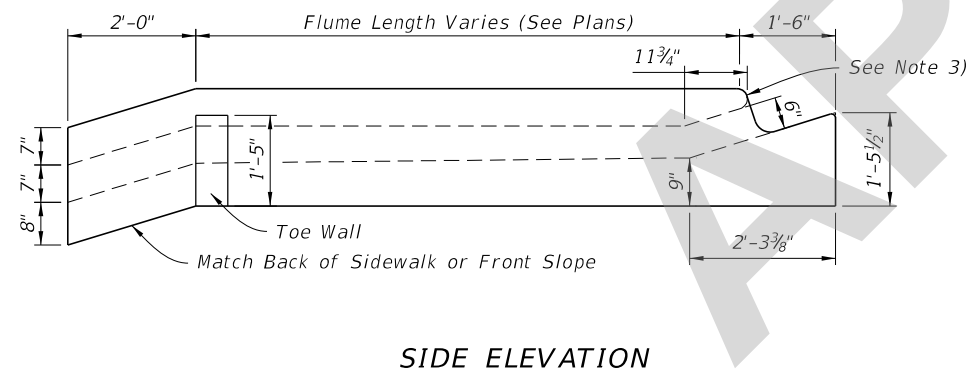
11/01/21

LAST REVISION 11/01/20	DESCRIPTION:		FY 2021-22 STANDARD PLANS	CLOSED FLUME INLET	INDEX	SHEET
REVISION					425-061	2 of 5

TYPE-I DIMENSIONAL DETAILS



- NOTES:**
1. Use sloped section with sidewalk applications only.
 2. Use Toe Walls with Sidewalk application only. For Endwall without Sidewalk see DETAILS on Sheet 4.
 3. Slope to match adjacent curb with 2" top radius and 1 1/4" bottom radius.
 4. See Sheet 5 for multiple barrel flumes span variation.



5/20/2021 10:40:59 AM

TYPE-I DIMENSIONAL DETAILS

LAST REVISION 11/01/21	REVISION	DESCRIPTION:		FY 2022-23 STANDARD PLANS	CLOSED FLUME INLET	INDEX 425-061	SHEET 2 of 5
---------------------------	----------	--------------	--	------------------------------	--------------------	------------------	-----------------