

---

## ORIGINATION FORM

---

### Proposed Revisions to a Standard Plans Index (Please provide all information — Incomplete forms will be returned)

**Contact Information:**

Date: June 1, 2021  
Originator: James McGinnis  
Phone: (850) 414-4952  
Email: james.mcginnis@dot.state.fl.us

**Standard Plans:**

Index Number: 102-661  
Sheet Number (s): 1 and 2 of 2  
Index Title: Bicycle Lane Closures

**Summary of the changes:**

Sheet 1: Changed Note 4 - "work zone" to "work operation".

Sheet 2: Added 35 MPH Detail and Notes, Updated Symbols, and added Typical PCMS Display.

**Commentary / Background:**

The duration provisions of the index are intended to apply to the length time needed to perform the specific temporary traffic control work "operation" shown, which is independent of the duration of an overall construction project. The term "Work Zone" is being replaced with "Work Operation" to clarify the intent.

**Other Affected Offices / Documents:** (Provide name of person contacted)

- | Yes                      | No                                  |                             |
|--------------------------|-------------------------------------|-----------------------------|
| <input type="checkbox"/> | <input checked="" type="checkbox"/> | Other Standard Plans –      |
| <input type="checkbox"/> | <input checked="" type="checkbox"/> | FDOT Design Manual –        |
| <input type="checkbox"/> | <input checked="" type="checkbox"/> | Basis of Estimates Manual – |
| <input type="checkbox"/> | <input checked="" type="checkbox"/> | Standard Specifications –   |
| <input type="checkbox"/> | <input checked="" type="checkbox"/> | Approved Product List –     |
| <input type="checkbox"/> | <input checked="" type="checkbox"/> | Construction –              |
| <input type="checkbox"/> | <input checked="" type="checkbox"/> | Maintenance –               |

**Origination Package Includes:**

(Email or hand deliver package to Rick Jenkins)

- | Yes                                 | N/A                      |  |
|-------------------------------------|--------------------------|--|
| <input checked="" type="checkbox"/> | <input type="checkbox"/> | Redline Mark-ups                         |
| <input type="checkbox"/>            | <input type="checkbox"/> | Proposed Standard Plan Instruction (SPI) |
| <input type="checkbox"/>            | <input type="checkbox"/> | Revised SPI                              |
| <input type="checkbox"/>            | <input type="checkbox"/> | Other Support Documents                  |

**Implementation:**

- |                                     |                                  |
|-------------------------------------|----------------------------------|
| <input type="checkbox"/>            | Design Bulletin (Interim)        |
| <input type="checkbox"/>            | DCE Memo                         |
| <input type="checkbox"/>            | Program Mgmt. Bulletin           |
| <input checked="" type="checkbox"/> | FY-Standard Plans (Next Release) |

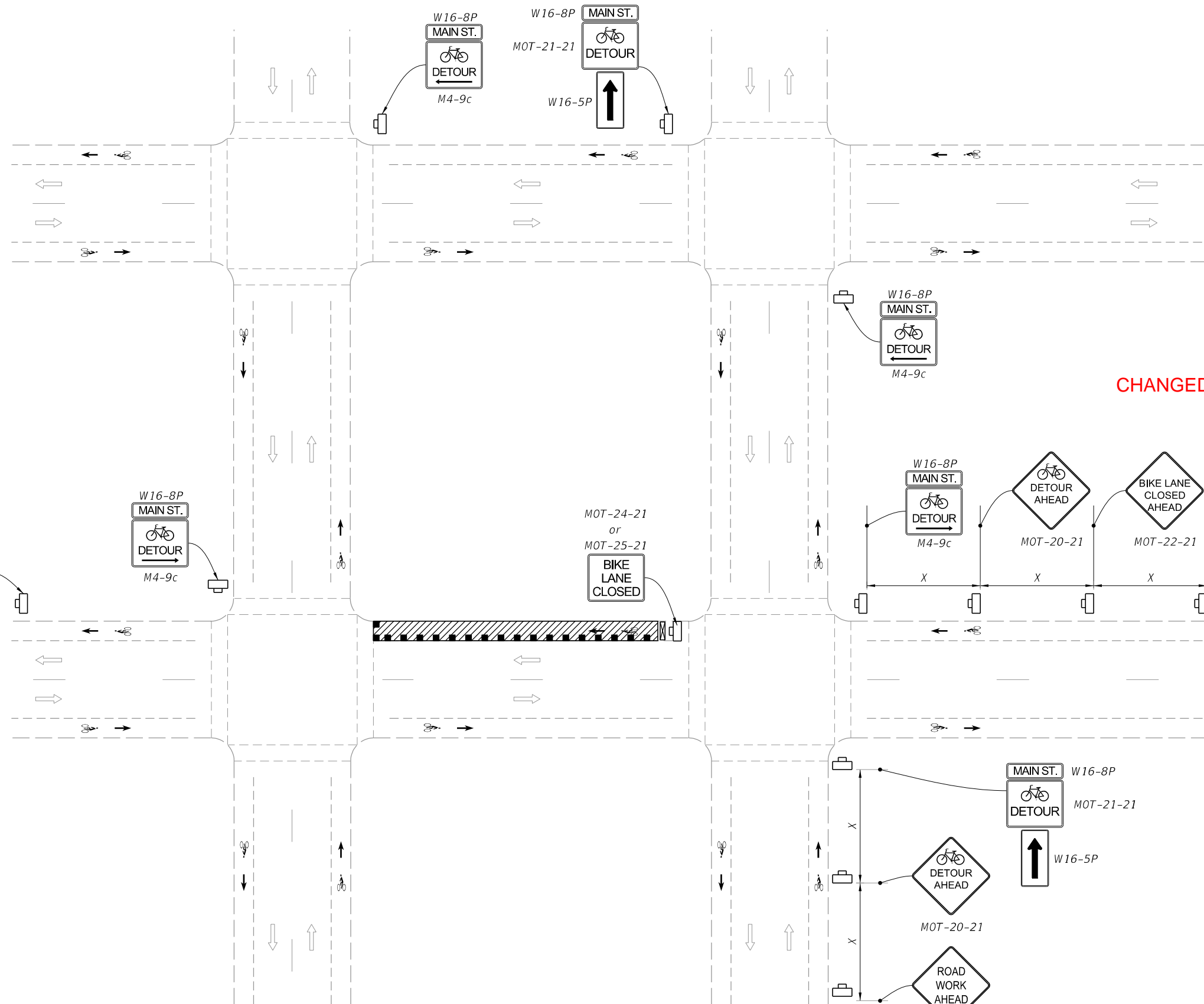
---

Contact the Roadway Design Office for assistance in completing this form

---

Email to: Rick Jenkins [rick.jenkins@dot.state.fl.us](mailto:rick.jenkins@dot.state.fl.us) and Darren Martin [darren.martin@dot.state.fl.us](mailto:darren.martin@dot.state.fl.us)

10/12/2020 6:25:02 AM



- GENERAL NOTES:**
1. Use this Index only when called for in the Plans.
  2. L = Taper Length  
B = Buffer Length  
X = Work Zone Sign Distance  
See Index 102-600 for "L", "B", "X", channelizing device spacing values.
  3. Provide a minimum 5'-0" wide bicycle path.
  4. The "Speeding Fines Doubled When Workers Present" signs (MOT-13-06) and "End Road Work" signs (G20-2), along with associated work zone sign distances, may be omitted when the work zone will be in place for 24 hours or less.
  5. Include additional signage at intersections as required by the Engineer or shown in the Plans.

CHANGED TO: operation

- SYMBOLS:**
- Work Area
  - Channelizing Device (See Index 102-600)
  - Work Zone Sign
  - Type III Barricade
  - Lane Identification and Direction of Traffic

CHANGED TO: FACILITY

11/01/21

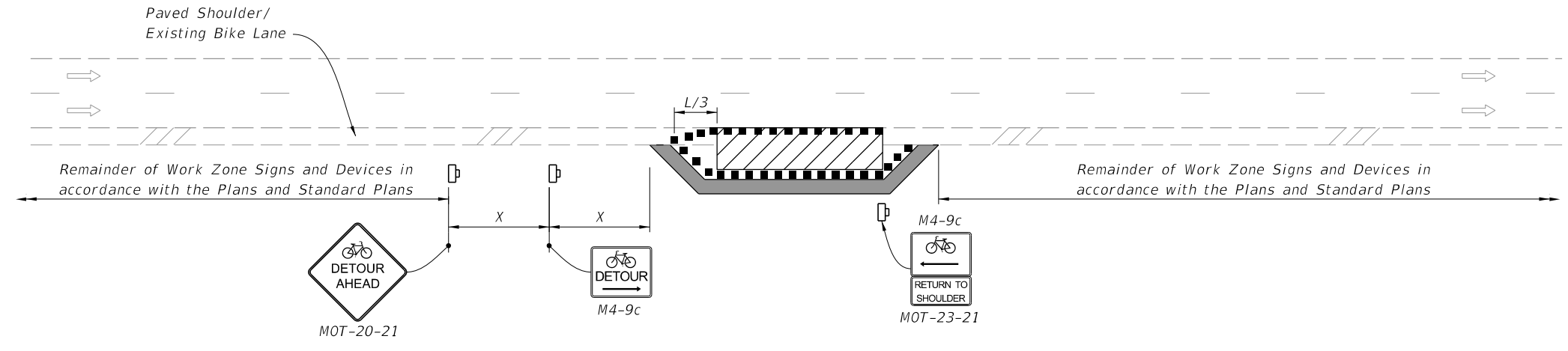
BICYCLE DETOUR

BICYCLE ~~LANE~~ CLOSURES

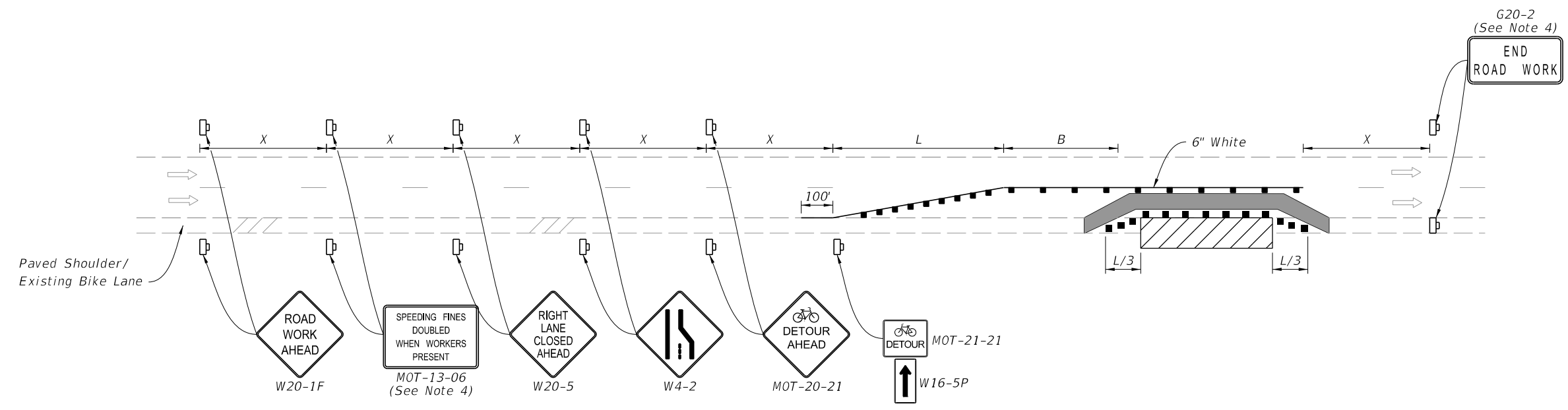
LAST REVISION	DESCRIPTION:
11/01/20	
11/01/21	

**FY 2021-22**  
STANDARD PLANS

INDEX	SHEET
102-661	1 of 2



TEMPORARY BICYCLE DIVERSION



TEMPORARY BICYCLE WAY DIVERTING TRAFFIC INTO THE TRAVELED WAY

**SYMBOLS:**

- Work Area
- Channelizing Device (See Index 102-600)
- Work Zone Sign
- Lane Identification and Direction of Traffic
- Arrow Board
- Temporary Bicycle Way

**Updated Symbols**

Added Typical PCMS Display

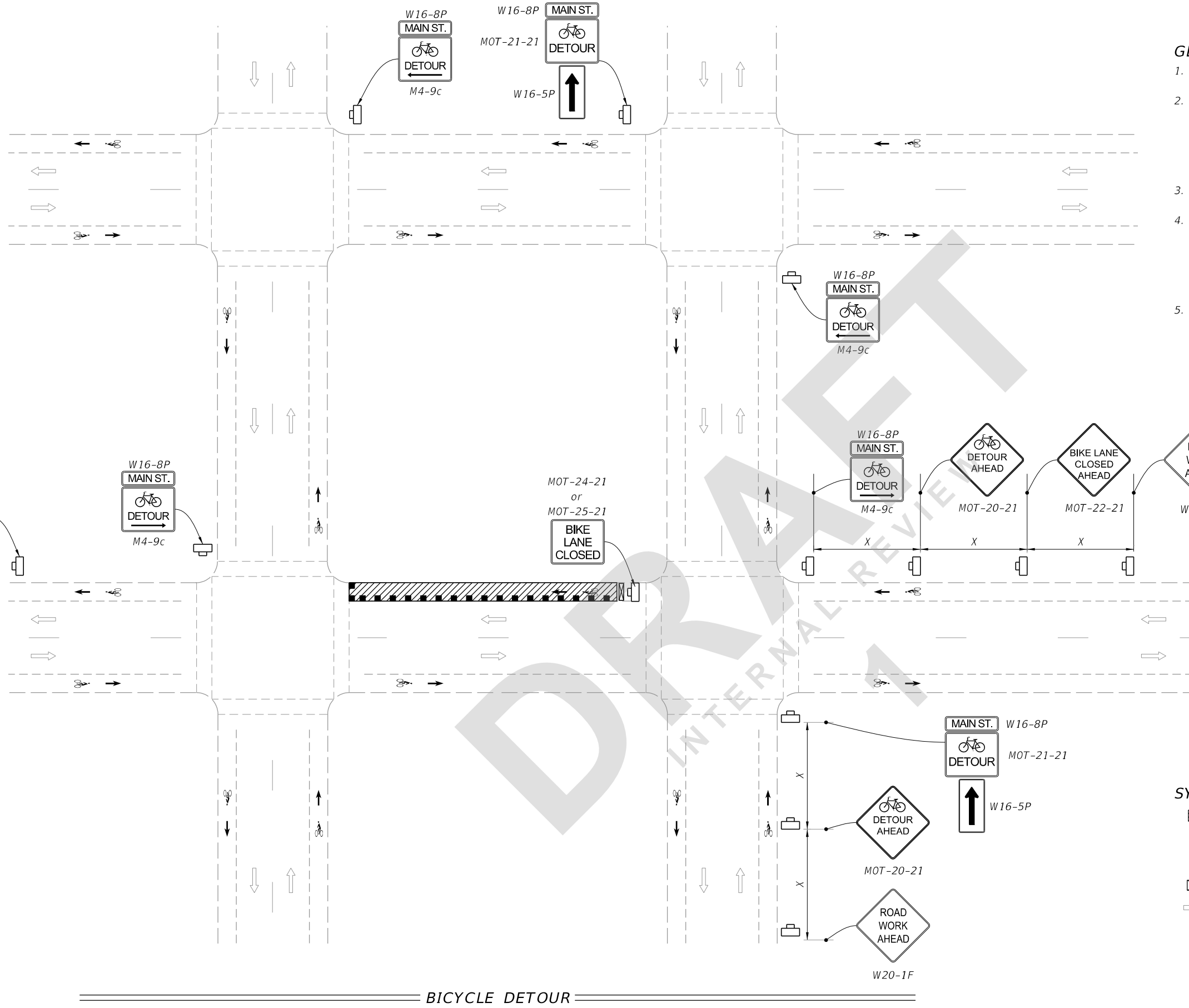
Added 35 MPH Detail and Notes

10/12/2020 6:25:13 AM

11/01/21

LAST REVISION	11/01/20	DESCRIPTION:		FY 2021-22 STANDARD PLANS	BICYCLE LANE CLOSURES	INDEX 102-661	SHEET 2 of 2
---------------	----------	--------------	--	------------------------------	-----------------------	------------------	-----------------

8/3/2021 3:19:59 PM



- GENERAL NOTES:**
1. Use this Index only when called for in the Plans.
  2. L = Taper Length  
B = Buffer Length  
X = Work Zone Sign Distance  
See Index 102-600 for "L", "B", "X", channelizing device spacing values.
  3. Provide a minimum 5'-0" wide bicycle path.
  4. The "Speeding Fines Doubled When Workers Present" signs (MOT-13-06) and "End Road Work" signs (G20-2), along with associated work zone sign distances, may be omitted when the work operation will be in place for 24 hours or less.
  5. Include additional signage at intersections as required by the Engineer or shown in the Plans.

- SYMBOLS:**
- Work Area
  - Channelizing Device (See Index 102-600)
  - Work Zone Sign
  - Type III Barricade
  - Lane Identification and Direction of Traffic

=====**BICYCLE DETOUR**=====

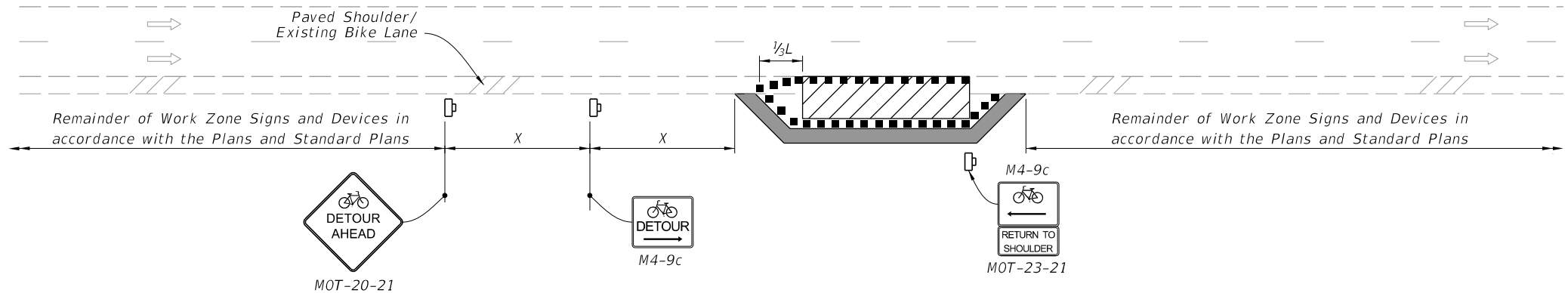
LAST REVISION 11/01/21	DESCRIPTION:
---------------------------	--------------

**FY 2022-23  
STANDARD PLANS**

**BICYCLE FACILITY CLOSURES**

INDEX  
**102-661**

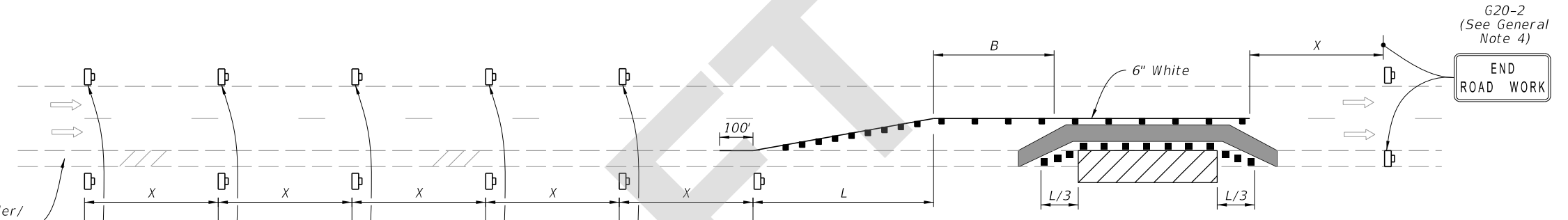
SHEET  
**1 of 2**



TEMPORARY BICYCLE DIVERSION

**NOTES:**

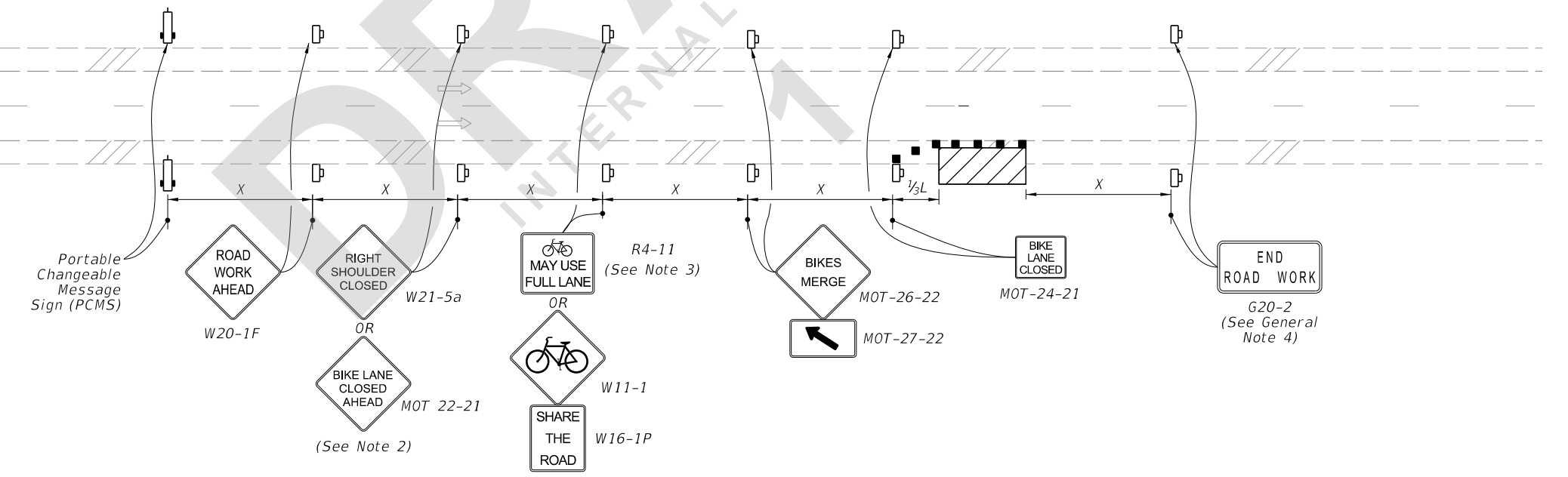
1. Temporary pavement markings may be omitted when the work operation is in place for 3 days or less.
2. If the Closed Bicycle Facility is a marked bicycle lane, use sign MOT 22-21 instead of sign W21-5a.
3. If the travel lane is less than 14' wide, use sign R4-11.



TEMPORARY BICYCLE WAY DIVERTING TRAFFIC INTO THE TRAVELED WAY

**SYMBOLS:**

- Work Area
- Temporary Bicycle Way
- Channelizing Device (See Index 102-600)
- Work Zone Sign
- Arrow Board
- Lane Identification and Direction of Traffic
- (1) PCMS=Portable Changeable (Variable) Message Sign



TEMPORARY BICYCLE DETOUR INTO THE TRAVELED WAY  
(Work Zone Speed of 35 mph or Less)

**TYPICAL PCMS DISPLAY:**

- Message 1: BIKE FACILITY CLOSED
- Message 2: BICYCLES ON ROAD

8/3/2021 3:20:00 PM

LAST REVISION 11/01/21	REVISION	DESCRIPTION:	 FY 2022-23 STANDARD PLANS	BICYCLE FACILITY CLOSURES	INDEX 102-661	SHEET 2 of 2
---------------------------	----------	--------------	----------------------------------	---------------------------	------------------	-----------------