

---

## ORIGINATION FORM

---

### Proposed Revisions to a Standard Plans Index (Please provide all information — Incomplete forms will be returned)

**Contact Information:**

Date: March 23, 2020

Originator: Cheryl Hudson

Phone: 414-5332

Email: Cheryl.hudson@dot.state.fl.us

**Standard Plans:**

Index Number: 700-041

Sheet Number (s): 2

Index Title: Span Sign Structure

**Summary of the changes:**

Added Note 5 and reference to the note.

**Commentary / Background:**

Due to issue with tearing at the top of the stiffeners, adding a requirement for extra testing when poles are greater than 0.5" thick.

**Other Affected Offices / Documents:** (Provide name of person contacted)

- | Yes                      | No                                  |                             |
|--------------------------|-------------------------------------|-----------------------------|
| <input type="checkbox"/> | <input checked="" type="checkbox"/> | Other Standard Plans –      |
| <input type="checkbox"/> | <input checked="" type="checkbox"/> | FDOT Design Manual –        |
| <input type="checkbox"/> | <input checked="" type="checkbox"/> | Basis of Estimates Manual – |
| <input type="checkbox"/> | <input checked="" type="checkbox"/> | Standard Specifications –   |
| <input type="checkbox"/> | <input checked="" type="checkbox"/> | Approved Product List –     |
| <input type="checkbox"/> | <input checked="" type="checkbox"/> | Construction –              |
| <input type="checkbox"/> | <input checked="" type="checkbox"/> | Maintenance –               |

**Origination Package Includes:**

(Email or hand deliver package to Rick Jenkins)

- | Yes                                 | N/A                      |  |
|-------------------------------------|--------------------------|--|
| <input checked="" type="checkbox"/> | <input type="checkbox"/> | Redline Mark-ups                         |
| <input type="checkbox"/>            | <input type="checkbox"/> | Proposed Standard Plan Instruction (SPI) |
| <input type="checkbox"/>            | <input type="checkbox"/> | Revised SPI                              |
| <input type="checkbox"/>            | <input type="checkbox"/> | Other Support Documents                  |

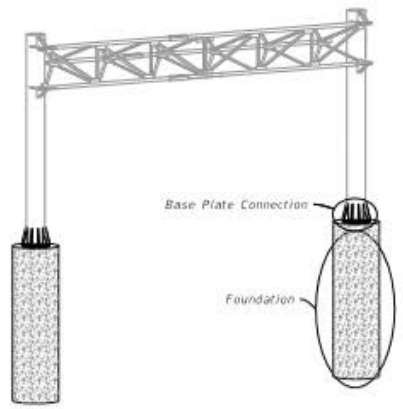
**Implementation:**

- |                                     |                                  |
|-------------------------------------|----------------------------------|
| <input type="checkbox"/>            | Design Bulletin (Interim)        |
| <input type="checkbox"/>            | DCE Memo                         |
| <input type="checkbox"/>            | Program Mgmt. Bulletin           |
| <input checked="" type="checkbox"/> | FY-Standard Plans (Next Release) |

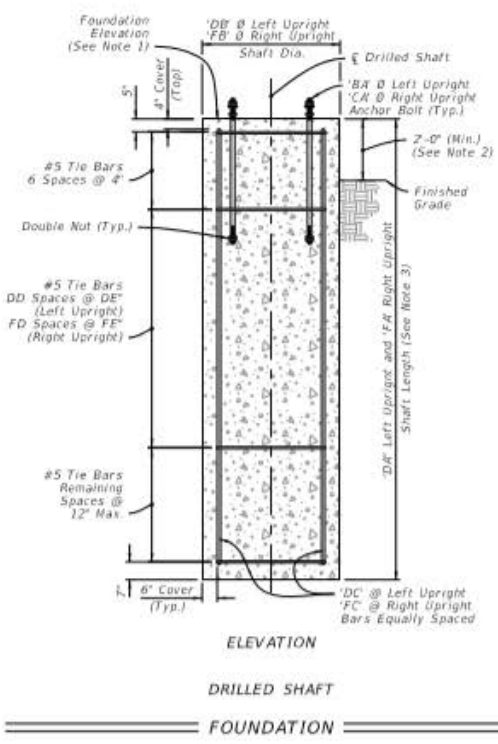
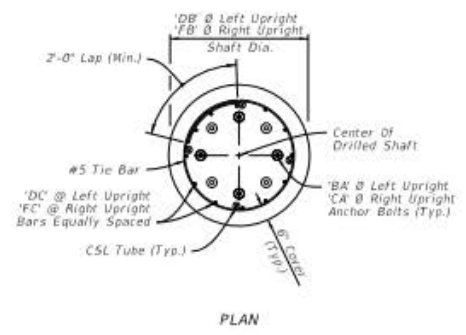
---

Contact the Roadway Design Office for assistance in completing this form

---

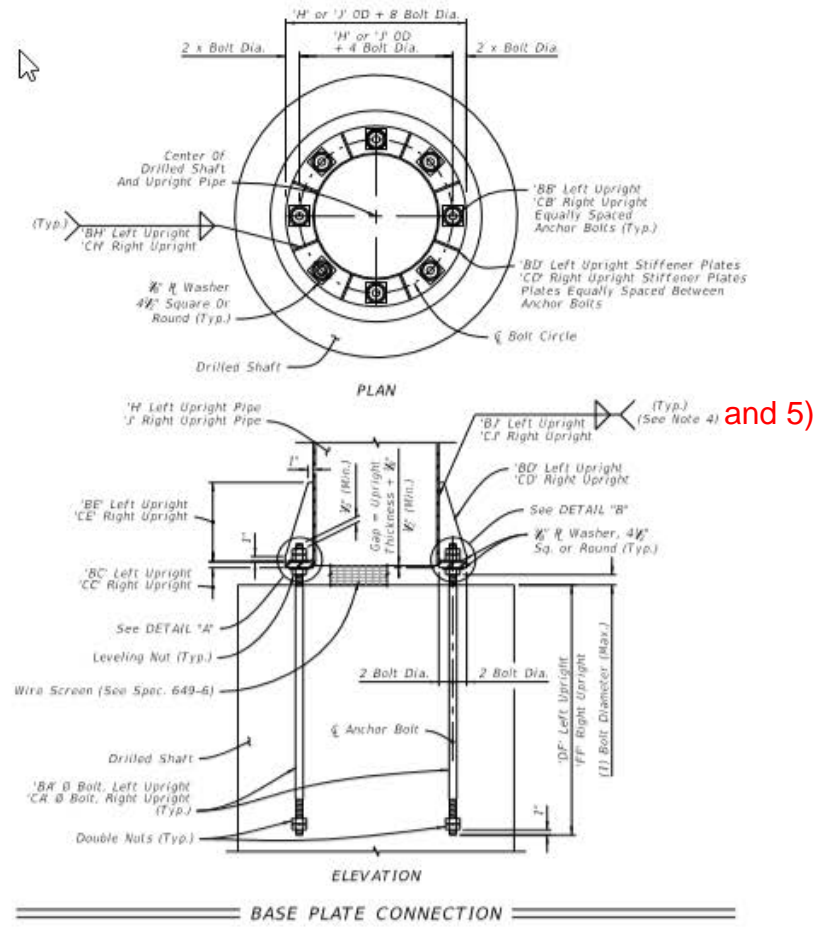
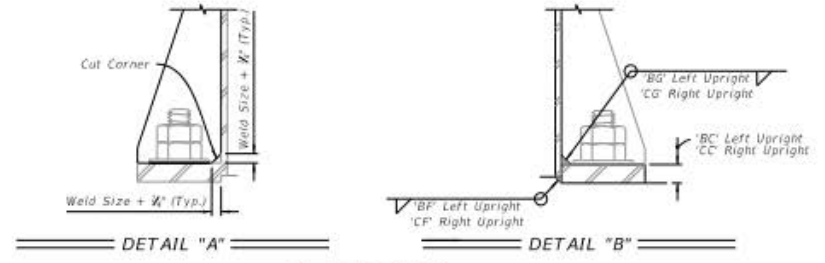


SPAN SIGN ASSEMBLY



- NOTES:**
1. See Traffic Plans for elevation at top of Foundation.
  2. Install Drilled Shaft with a 2'-0" minimum from top elevation of the drill shaft to the finished grade, unless specified otherwise in the plans.
  3. The shaft length is based on 2'-0" height above finished grade.
  4. Wrap fillet weld around the stiffener termination on the tube wall (Typ).

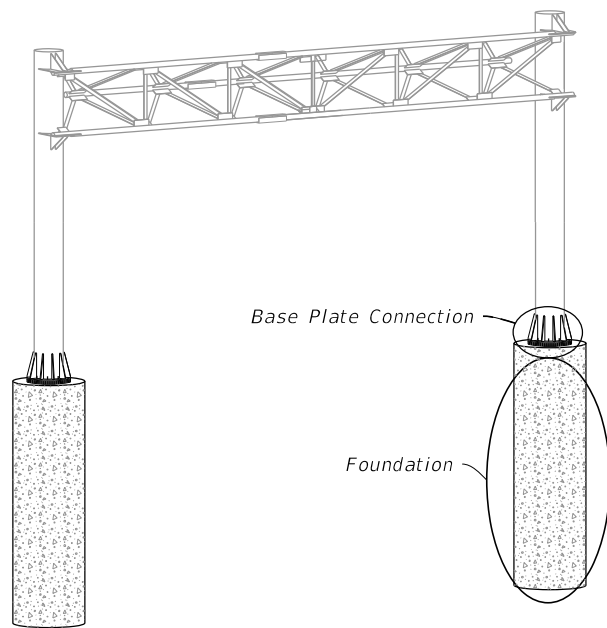
5. Provide Ultrasonic Testing for Lamellar Tearing when wall thickness exceeds 1/2"



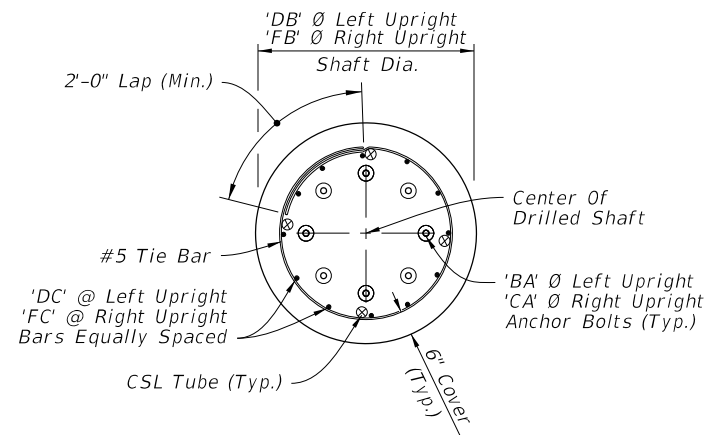
and 5)

11/01/17 11/01/17

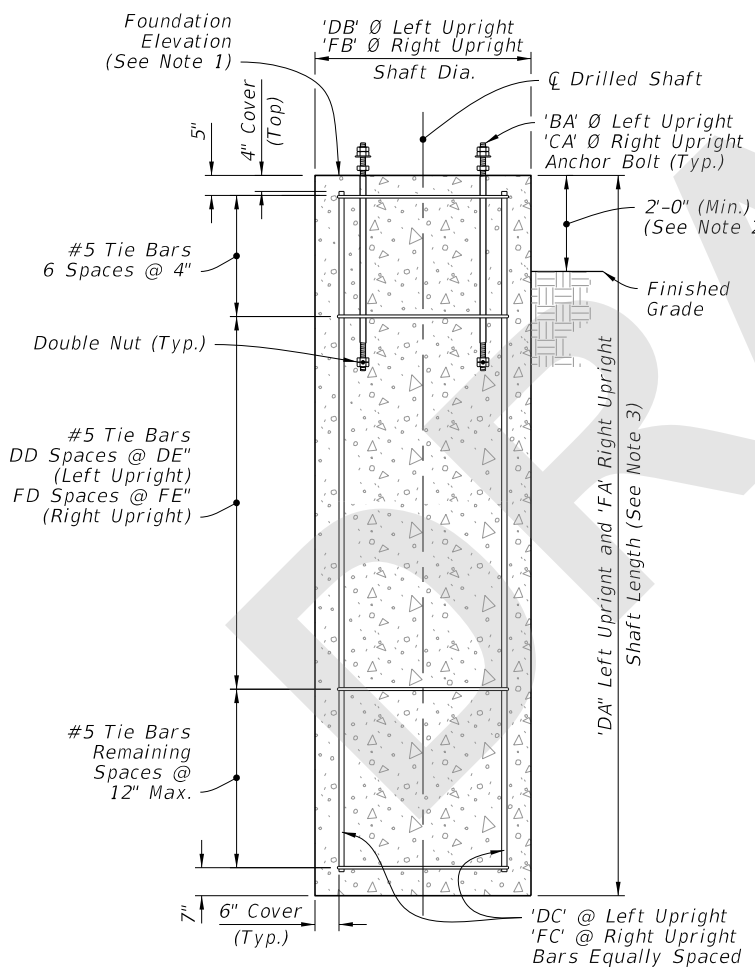
LAST REVISION 11/01/17	DESCRIPTION:		FY 2020-21 STANDARD PLANS	INDEX	SHEET
				SPAN SIGN STRUCTURE	700-041



SPAN SIGN ASSEMBLY



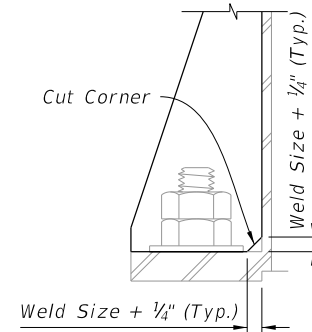
PLAN



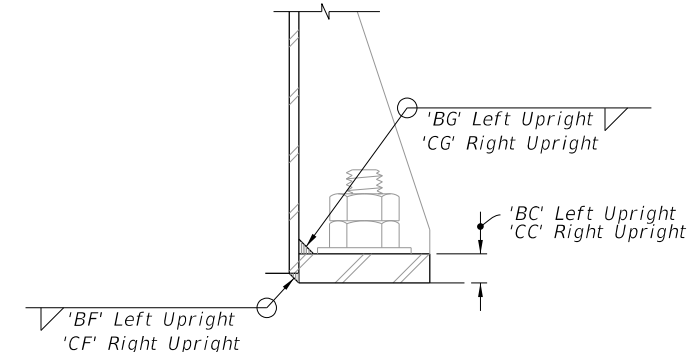
ELEVATION

DRILLED SHAFT

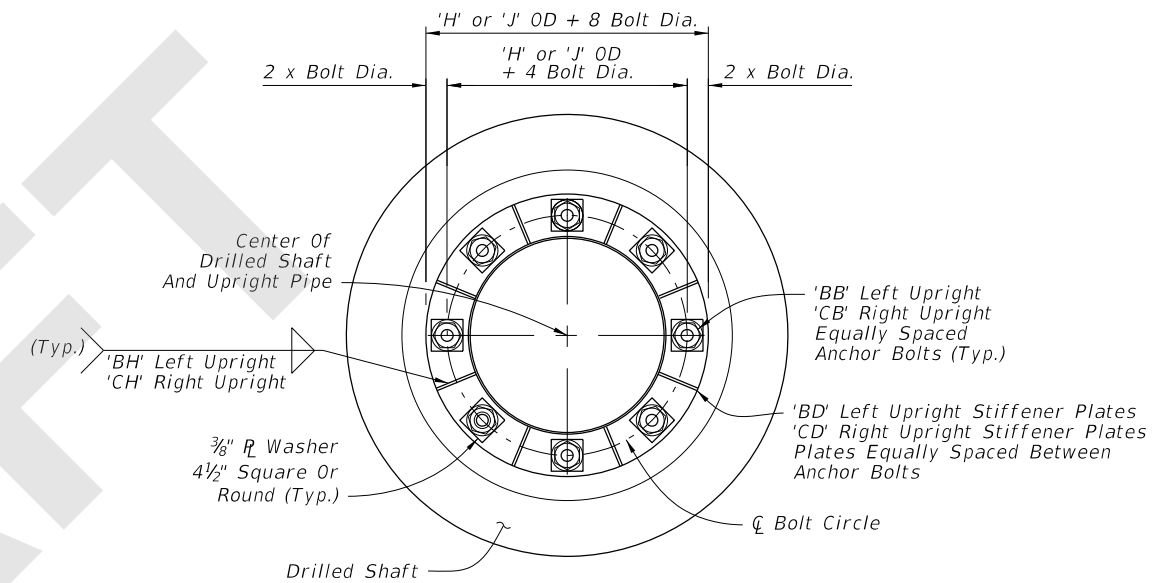
FOUNDATION



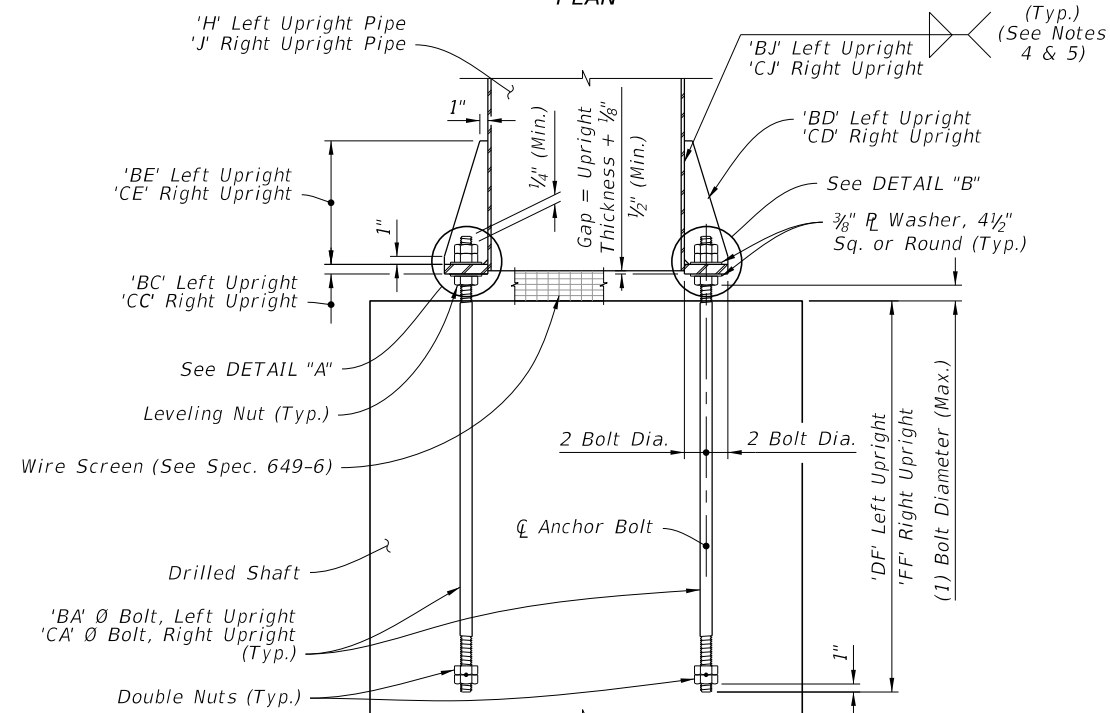
DETAIL "A"



DETAIL "B"



PLAN



ELEVATION

BASE PLATE CONNECTION

NOTES:

1. See Traffic Plans for elevation at top of Foundation.
2. Install Drilled Shaft with a 2'-0" minimum from top elevation of the drill shaft to the finished grade, unless specified otherwise in the plans.
3. The shaft length is based on 2'-0" height above finished grade.
4. Wrap fillet weld around the stiffener termination on the tube wall (Typ.).
5. Provide ultrasonic testing for Lamellar Tearing when wall thickness exceeds 1/2"

5/1/2020 8:02:54 AM

LAST REVISION	DESCRIPTION:
11/01/20	



FY 2020-21  
STANDARD PLANS

SPAN SIGN STRUCTURE

INDEX  
700-041

SHEET  
2 of 5