
ORIGINATION FORM

Proposed Revisions to a Standard Plans Index (Please provide all information — Incomplete forms will be returned)

Contact Information:

Date: June 3, 2020
Originator: Derwood Sheppard
Phone: (850) 414-4334
Email: derwood.sheppard@dot.state.fl.us

Standard Plans:

Index Number: 665-001
Sheet Number (s): 1
Index Title: Pedestrian Detector Assembly Installation
Details

**Summary of the changes:**

Deleted information specific to the Aluminum Pole and Pedestal supports. These details will be included in a New Standard Plans, Index 646-001. A Pushbutton Orientation (New Detail "B") has been added to clarify Note 2. Added further clarification of pushbutton and sign orientation to Detail "A". Deleted "Galvanized Pole" option, as it is not covered by Standard Specifications for Pay Items.

Commentary / Background:

There has been confusion about the foundation requirements and payment for Aluminum Pole and Pedestal supports for pedestrian signal and detectors. Relocating this information to a NEW Index 646 will clarify the intent, as installation and payment information is covered by Specification 646. See Also: Revision to Index 653-001.

Other Affected Offices / Documents: (Provide name of person contacted)

- | Yes | No | |
|-------------------------------------|-------------------------------------|---|
| <input checked="" type="checkbox"/> | <input type="checkbox"/> | Other Standard Plans – Derwood Sheppard |
| <input type="checkbox"/> | <input checked="" type="checkbox"/> | FDOT Design Manual – |
| <input type="checkbox"/> | <input checked="" type="checkbox"/> | Basis of Estimates Manual – |
| <input type="checkbox"/> | <input checked="" type="checkbox"/> | Standard Specifications – |
| <input type="checkbox"/> | <input checked="" type="checkbox"/> | Approved Product List – |
| <input type="checkbox"/> | <input checked="" type="checkbox"/> | Construction – |
| <input type="checkbox"/> | <input checked="" type="checkbox"/> | Maintenance – |

Origination Package Includes:

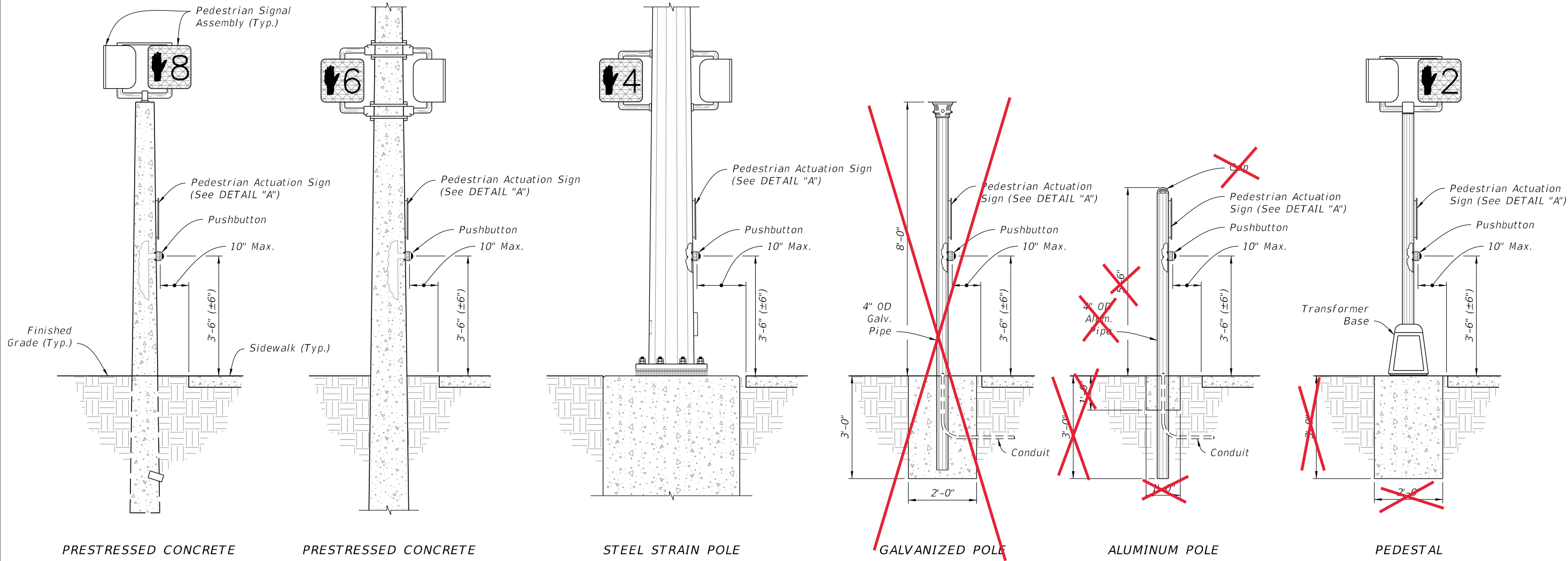
(Email or hand deliver package to Rick Jenkins)

- | Yes | N/A | |
|-------------------------------------|-------------------------------------|--|
| <input checked="" type="checkbox"/> | <input type="checkbox"/> | Redline Mark-ups |
| <input checked="" type="checkbox"/> | <input type="checkbox"/> | Proposed Standard Plan Instruction (SPI) |
| <input type="checkbox"/> | <input checked="" type="checkbox"/> | Revised SPI |
| <input type="checkbox"/> | <input checked="" type="checkbox"/> | Other Support Documents |

Implementation:

- Design Bulletin (Interim)
- DCE Memo
- Program Mgmt. Bulletin
- FY-Standard Plans (Next Release)

Contact the Roadway Design Office for assistance in completing this form



PRESTRESSED CONCRETE PEDESTAL POLE

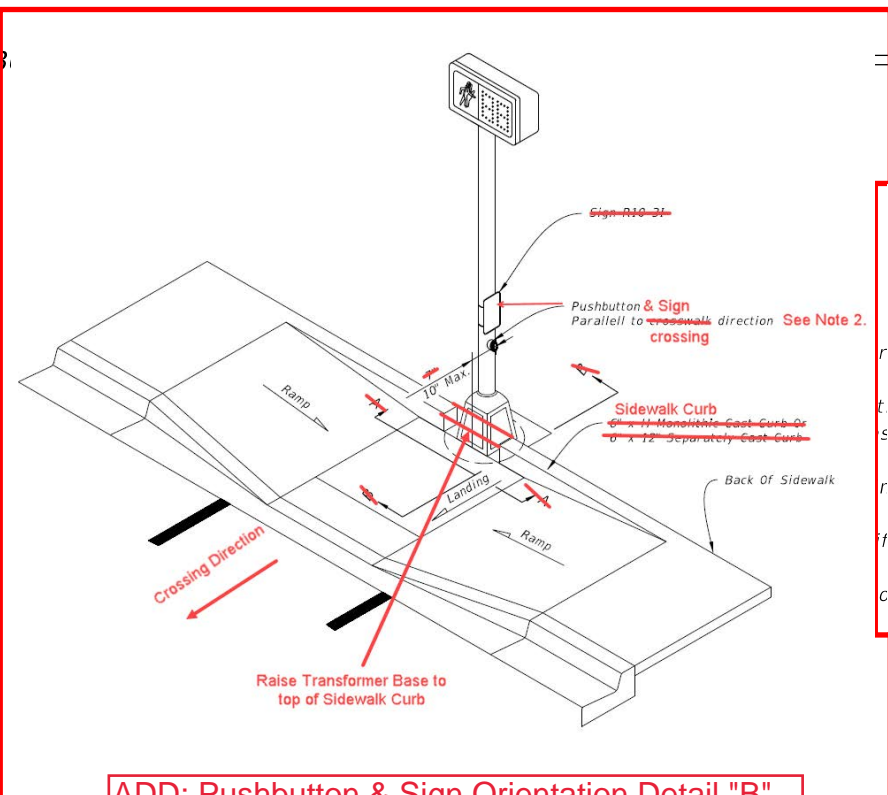
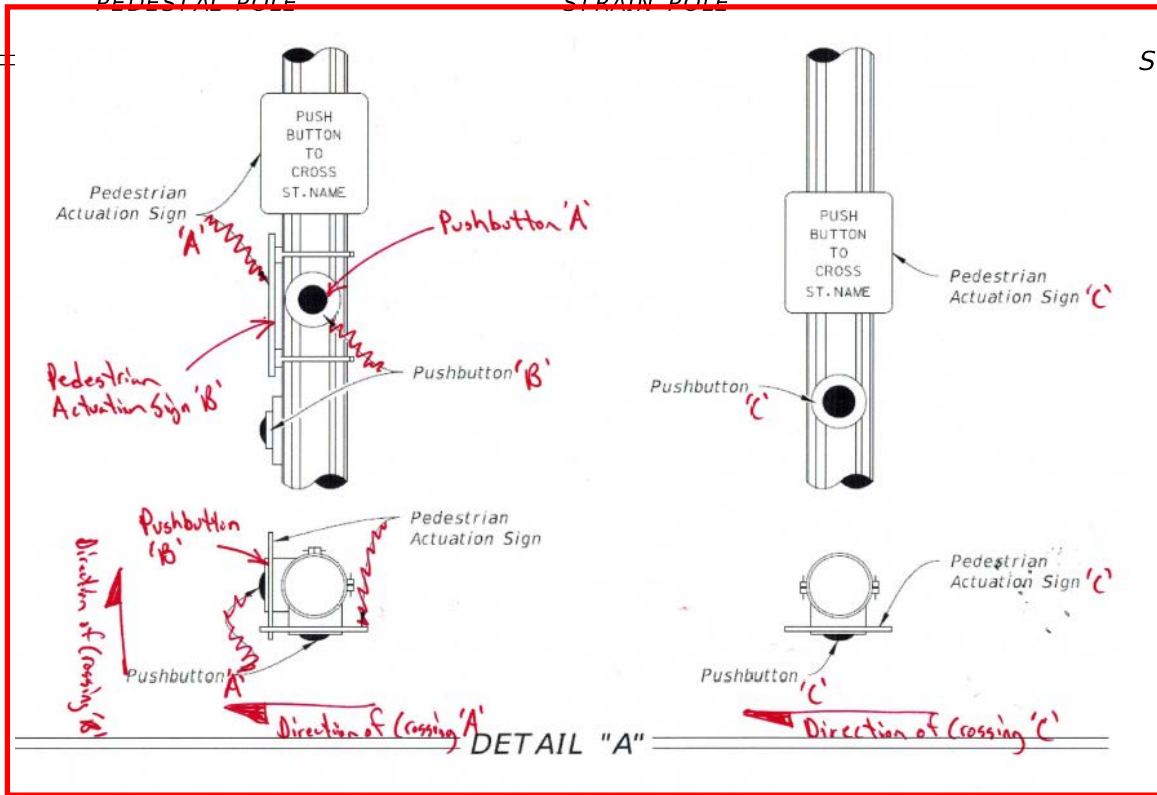
PRESTRESSED CONCRETE STRAIN POLE

STEEL STRAIN POLE

~~GALVANIZED POLE~~

~~ALUMINUM POLE~~

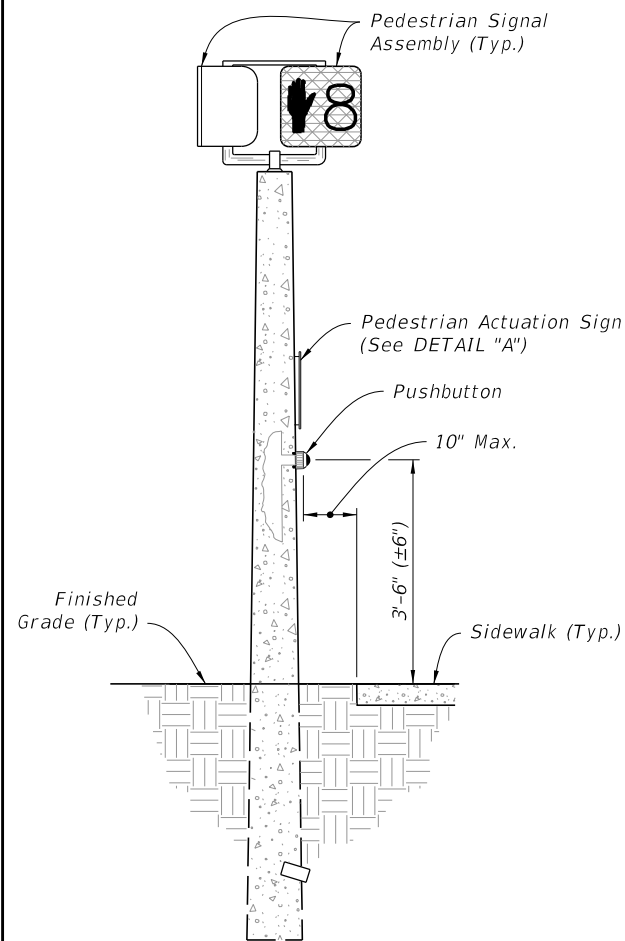
~~PEDESTAL~~



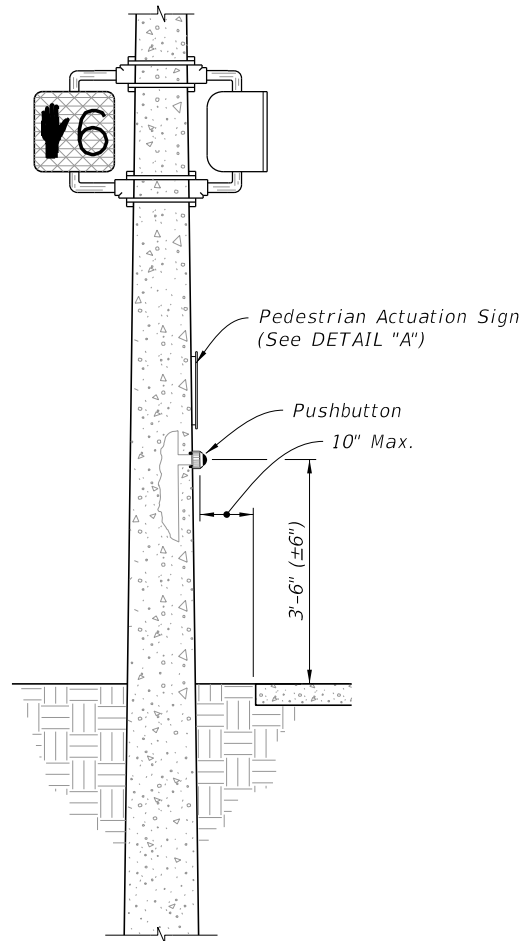
- NOTES:**
1. Mount Signs above the detectors. See Index 700-102 for sign details.
 2. Install Pushbuttons and Pedestrian Actuation Signs with faces parallel to the crossing direction, ~~or as shown in the Plans. See Detail "B".~~
 3. Mount pushbuttons and Signs in accordance with Specification 665.
 4. ~~Install all grounding per Specification 620.~~
 5. Pushbutton mounting height shown ~~above~~ is taken at the center of the actuation switch.
 6. For Pedestrian Control Signal see Index 653-001
 7. For Aluminum Pole and Pedestal supports see Index 646-001

10/14/2019 2:19:58 PM

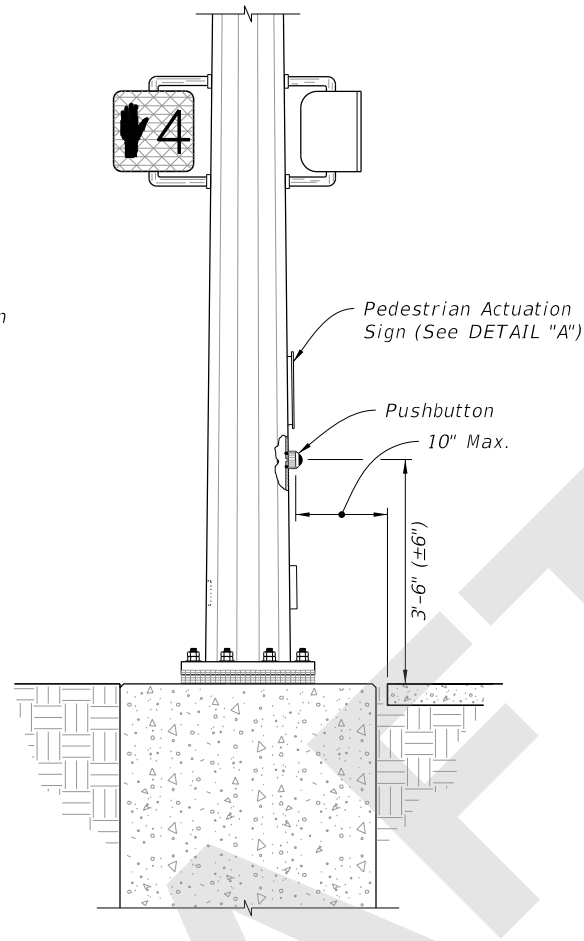
LAST REVISION	DESCRIPTION:
11/01/19	11/01/20



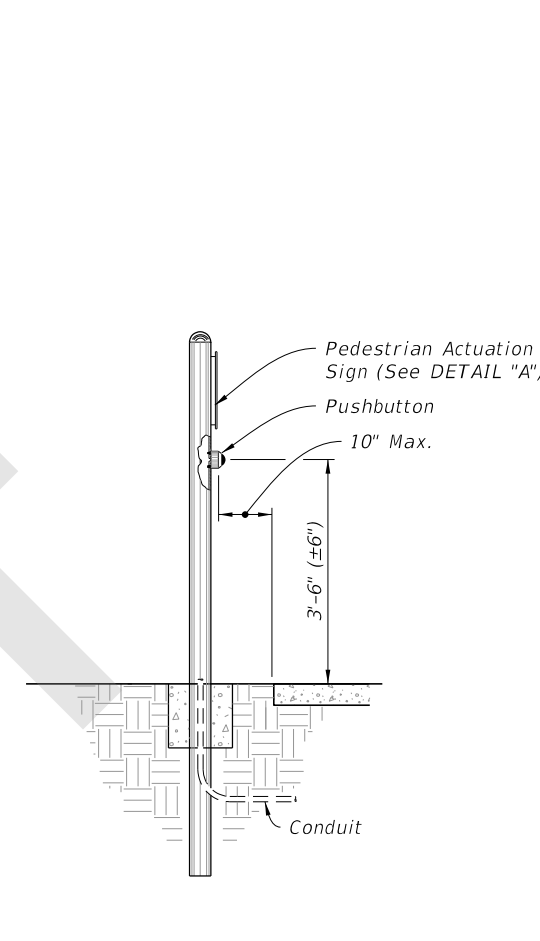
PRESTRESSED CONCRETE
PEDESTAL POLE



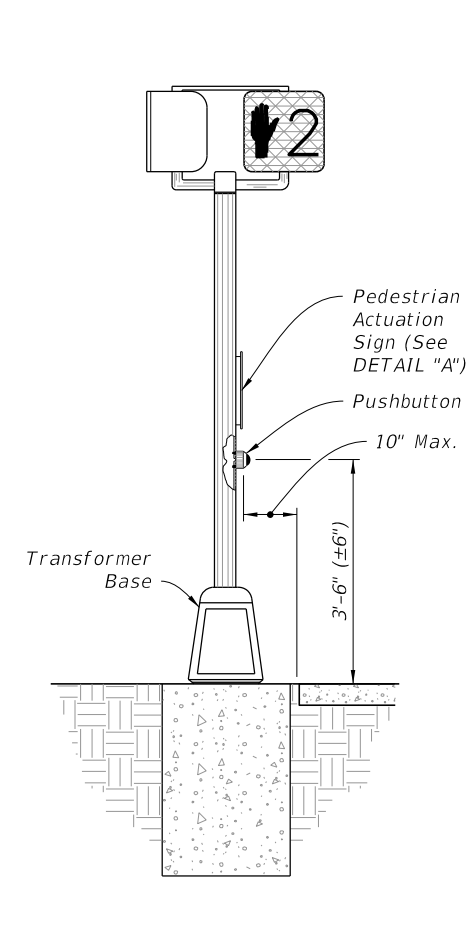
PRESTRESSED CONCRETE
STRAIN POLE



STEEL STRAIN POLE

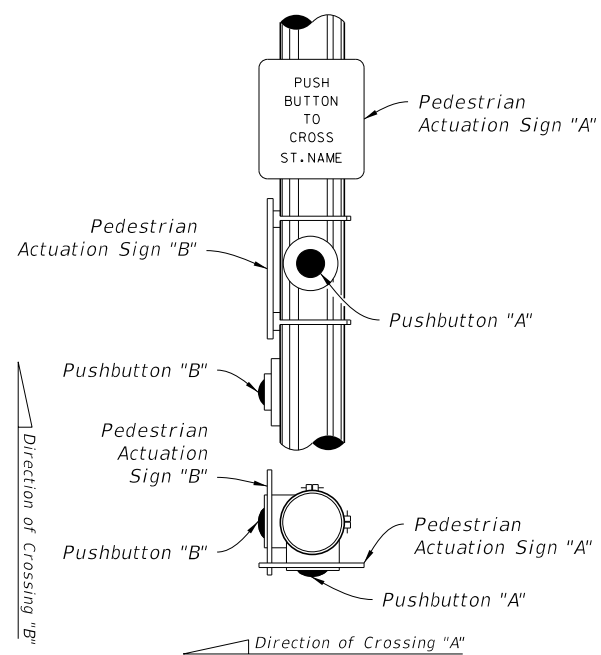


ALUMINUM POLE

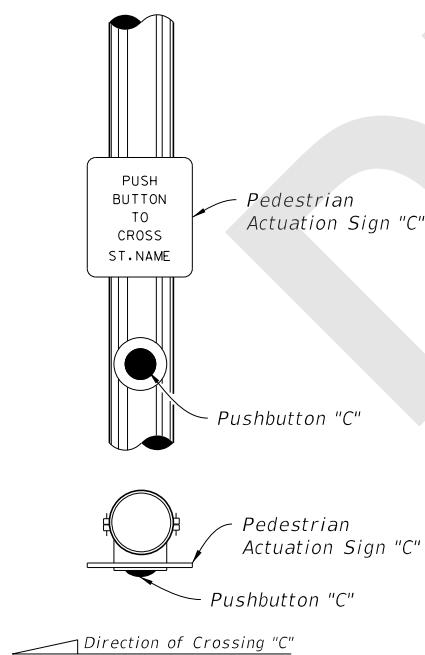


PEDESTAL

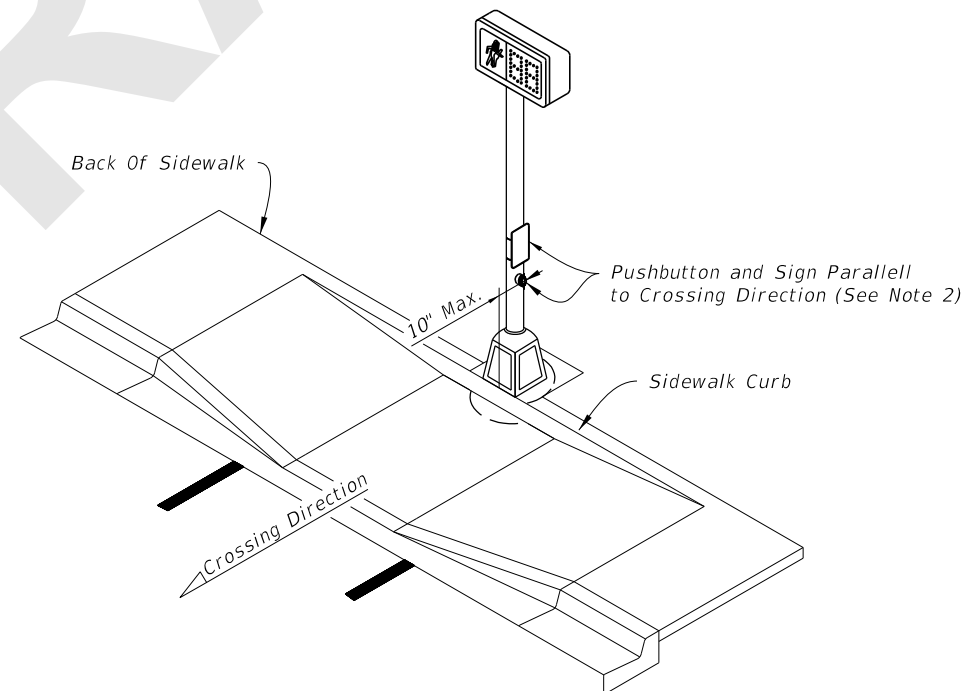
PUSHBUTTON PEDESTRIAN DETECTORS



DETAIL "A"



DETAIL "A"



DETAIL "B"

NOTES:

1. Mount Signs above the detectors. See Index 700-102 for sign details.
2. Install Pushbuttons and Pedestrian Actuation Signs with faces parallel to the crossing direction, see DETAIL "B".
3. Mount pushbuttons and Signs in accordance with Specification 665.
4. Pushbutton mounting height shown is taken at the center of the actuation switch.
5. for pedestrian control signal see index 653-001.
6. For Aluminum Pole and Pedestal supports see Index 646-001.

7/30/2020 10:37:16 AM

LAST REVISION 11/01/20	DESCRIPTION:
---------------------------	--------------



FY 2021-22
STANDARD PLANS

PEDESTRIAN DETECTOR ASSEMBLY
INSTALLATION DETAILS

INDEX
665-001

SHEET
1 of 1