

---

## ORIGINATION FORM

---

### Proposed Revisions to a Standard Plans Index (Please provide all information — Incomplete forms will be returned)

**Contact Information:**

Date: June 3, 2020  
Originator: Derwood Sheppard  
Phone: (850) 414-4334  
Email: derwood.sheppard@dot.state.fl.us

**Standard Plans:**

Index Number: 653-001  
Sheet Number (s): 1  
Index Title: Pedestrian Control Signal Installation Details

**Summary of the changes:**

Deleted specific details for the foundation and post of a Pedestal Mounded Pedestrian Signal. The details are moved to a new Standard Plans, Index 646-001.

**Commentary / Background:**

The Pedestal Mounted Signal support (i.e., post, transformer base, and foundation) are controlled by Specification 646. Therefore, to clarify the requirements of the support details, and which Specification governs the installation and payment, the information is being moved to a new Index 646-001.

**Other Affected Offices / Documents:** (Provide name of person contacted)

- | Yes                                 | No                                  |   |
|-------------------------------------|-------------------------------------|---|
| <input checked="" type="checkbox"/> | <input type="checkbox"/>            | Other Standard Plans – Derwood Sheppard |
| <input type="checkbox"/>            | <input checked="" type="checkbox"/> | FDOT Design Manual –                    |
| <input type="checkbox"/>            | <input checked="" type="checkbox"/> | Basis of Estimates Manual –             |
| <input type="checkbox"/>            | <input checked="" type="checkbox"/> | Standard Specifications –               |
| <input type="checkbox"/>            | <input checked="" type="checkbox"/> | Approved Product List –                 |
| <input type="checkbox"/>            | <input checked="" type="checkbox"/> | Construction –                          |
| <input type="checkbox"/>            | <input checked="" type="checkbox"/> | Maintenance –                           |

**Origination Package Includes:**

(Email or hand deliver package to Rick Jenkins)

- | Yes                                 | N/A                                 |  |
|-------------------------------------|-------------------------------------|--|
| <input checked="" type="checkbox"/> | <input type="checkbox"/>            | Redline Mark-ups                         |
| <input checked="" type="checkbox"/> | <input type="checkbox"/>            | Proposed Standard Plan Instruction (SPI) |
| <input type="checkbox"/>            | <input checked="" type="checkbox"/> | Revised SPI                              |
| <input type="checkbox"/>            | <input checked="" type="checkbox"/> | Other Support Documents                  |

**Implementation:**

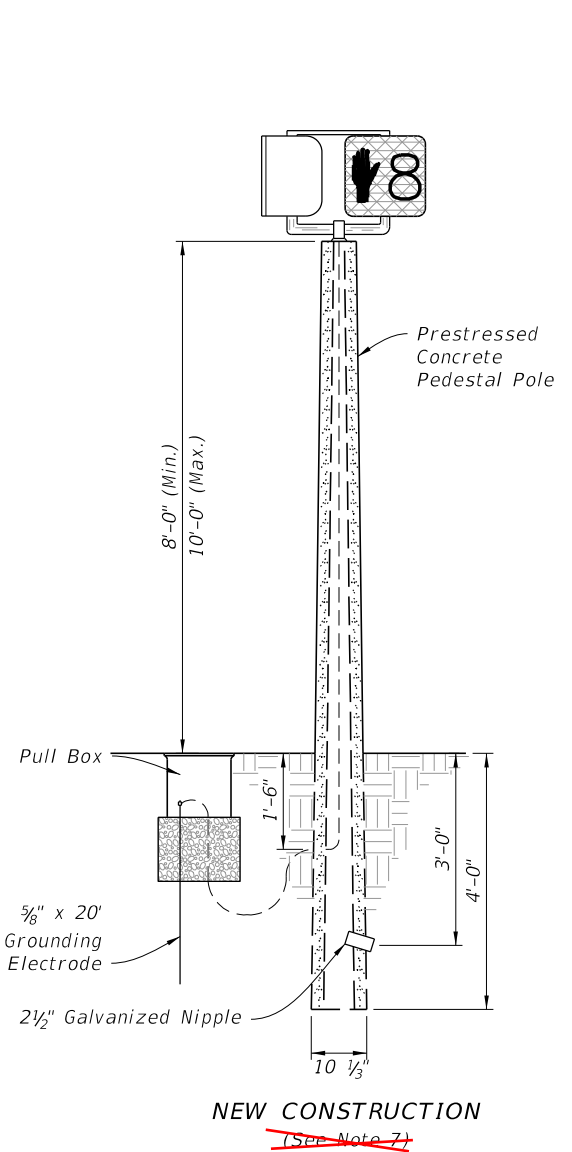
- |                                     |                                  |
|-------------------------------------|----------------------------------|
| <input type="checkbox"/>            | Design Bulletin (Interim)        |
| <input type="checkbox"/>            | DCE Memo                         |
| <input type="checkbox"/>            | Program Mgmt. Bulletin           |
| <input checked="" type="checkbox"/> | FY-Standard Plans (Next Release) |

---

Contact the Roadway Design Office for assistance in completing this form

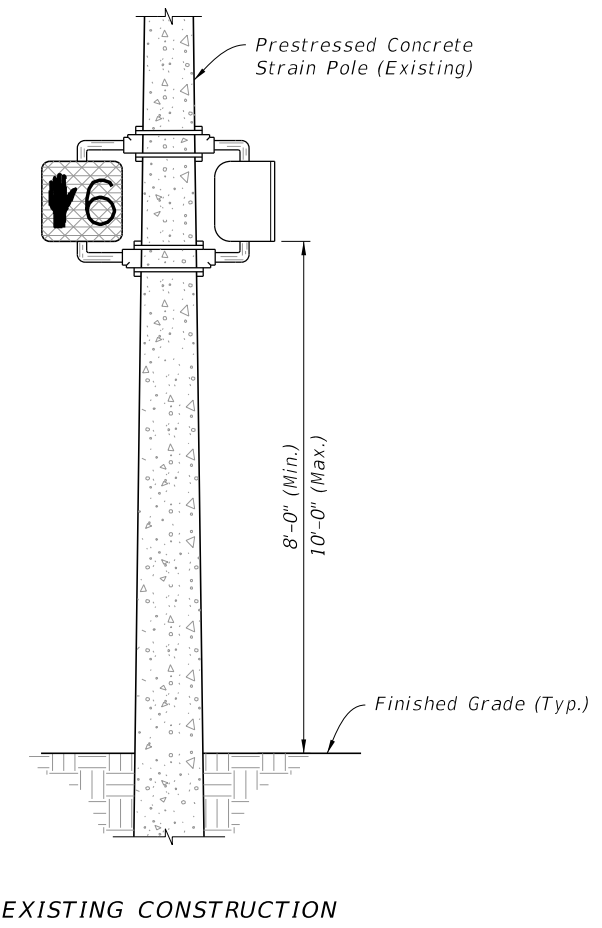
---

Pedestal Assembly details moved to new Index 646-001

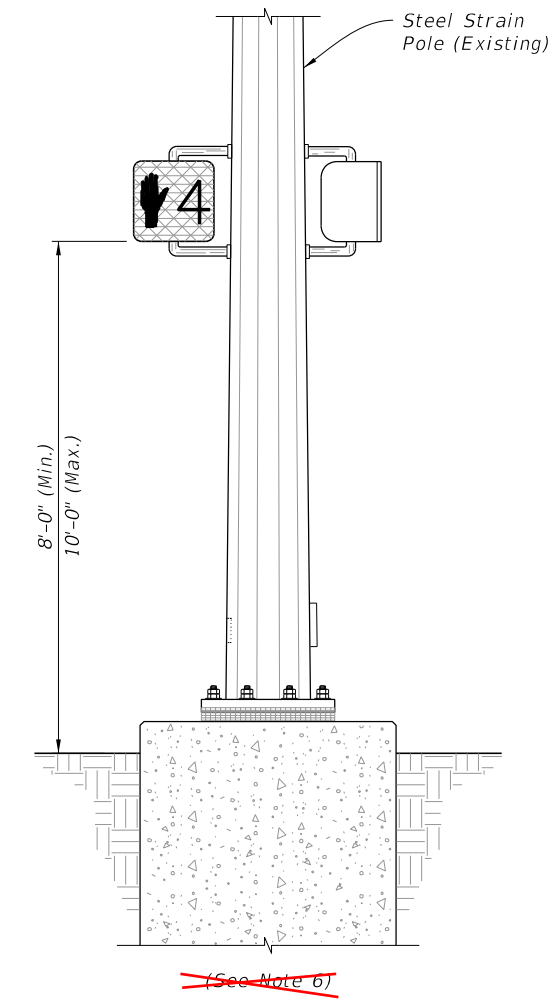


NEW CONSTRUCTION  
~~(See Note 7)~~

CONCRETE POLE MOUNTED SIGNAL

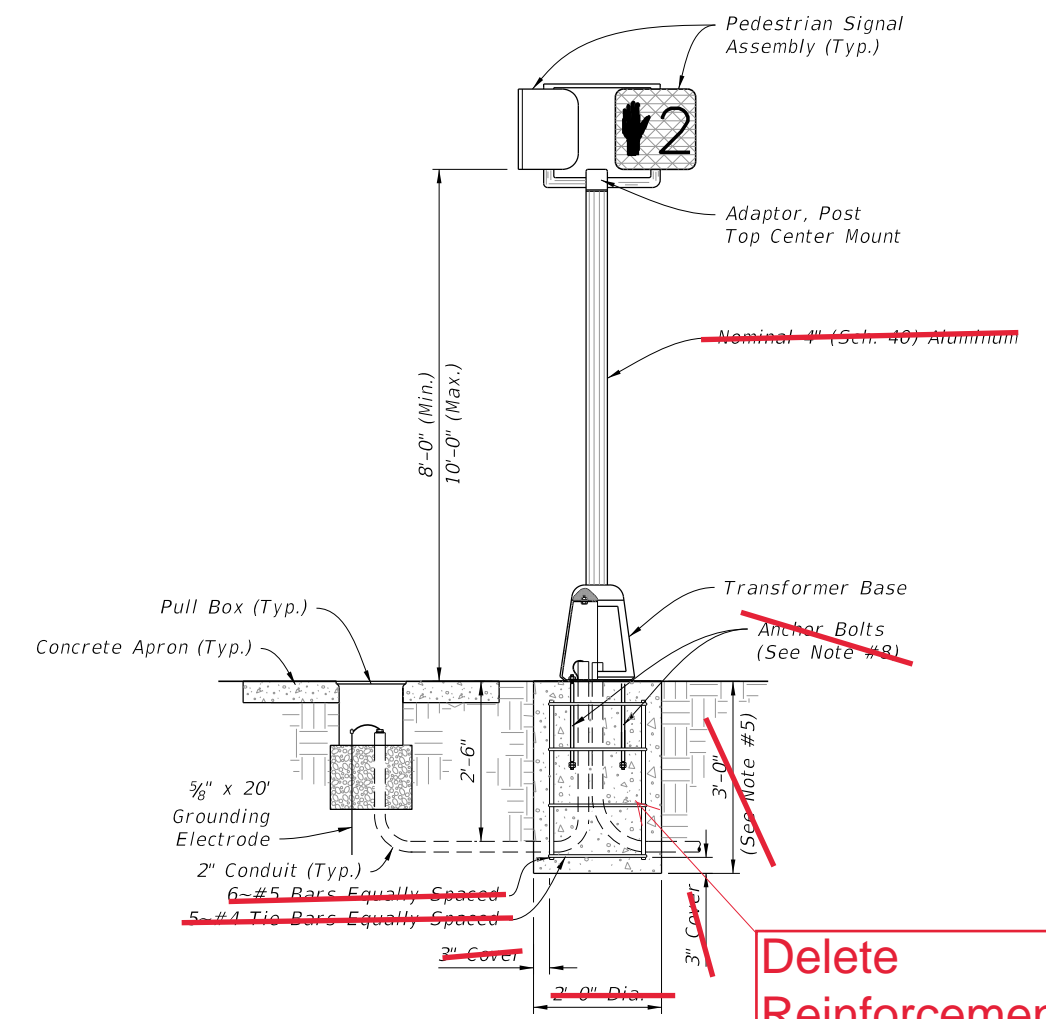


EXISTING CONSTRUCTION



~~(See Note 6)~~

STRAIN POLE MOUNTED SIGNAL



Delete Reinforcement Details

PEDESTAL MOUNTED SIGNAL

NOTES:

1. As an option, pedestrian signals may be installed on concrete poles and pedestals using lead anchors (two bolts same size per hub) in lieu of the stainless steel bands.
2. Repair drilled or punched holes in galvanized steel poles or pedestals in accordance with Specification 562. Install grommets or bushings in each hole.
3. Meet grounding requirements of Specification 620.
4. See APL for Department-approved Pedestrian Signal Assemblies and hardware.
- ~~5. Construct footing with Class I Concrete; footing may be Cast In Place (CIP) or Precast.~~
6. For Steel Strain Poles see Index 649-010.
- ~~7. For Prestressed Concrete Poles see Index 641-010.~~
- ~~8. Install 4 - 7/8" x 18" Anchor Bolts With Double Nuts. (ASTM F1554 Grade 55).~~
- ~~9. Meet the requirements of Specification 646 for aluminum poles and transformer bases.~~

Added Note 7: For Pedestal Mounted Signal posts and foundations see Index 646-001

Move Existing Notes 5, 8, & 9 to New Index 646-001

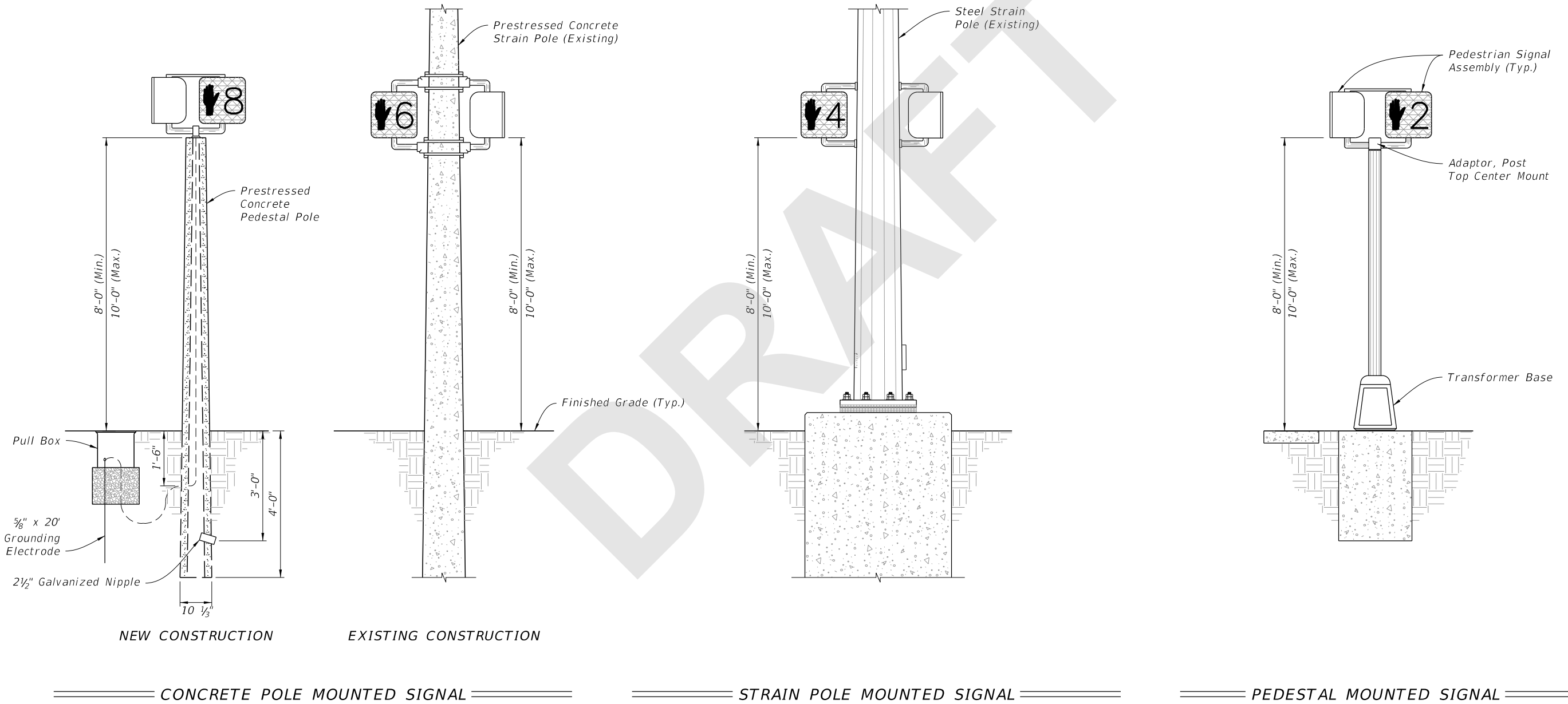
11/01/20

10/14/2019 2:18:09 PM

LAST REVISION 11/01/17	DESCRIPTION:	FDOT	FY 2020-21 STANDARD PLANS	PEDESTRIAN CONTROL SIGNAL INSTALLATION DETAILS	INDEX 653-001	SHEET 1 of 1
---------------------------	--------------	------	------------------------------	---	------------------	-----------------

**NOTES:**

1. As an option, pedestrian signals may be installed on concrete poles and pedestals using lead anchors (two bolts same size per hub) in lieu of the stainless steel bands.
2. Repair drilled or punched holes in galvanized steel poles or pedestals in accordance with Specification 562. Install grommets or bushings in each hole.
3. Meet grounding requirements of Specification 620.
4. See APL for Department-approved Pedestrian Signal Assemblies and hardware.
5. For Prestressed Concrete Poles see Index 641-010.
6. For Steel Strain Poles see Index 649-010.
7. For Pedestal Mounted Signal posts and foundations see Index 646-001



8/20/2020 9:46:07 AM

LAST REVISION 11/01/20	REVISION	DESCRIPTION:	 FY 2021-22 STANDARD PLANS	PEDESTRIAN CONTROL SIGNAL INSTALLATION DETAILS	INDEX 653-001	SHEET 1 of 1
---------------------------	----------	--------------	----------------------------------	---	------------------	-----------------