
ORIGINATION FORM

Proposed Revisions to a Standard Plans Index (Please provide all information — Incomplete forms will be returned)

Contact Information:

Date: July 10, 2020

Originator: Malcolm Tomatani

Phone: (850) 921-7305

Email: malcolm.tomatani@dot.state.fl.us

Standard Plans:

Index Number: 649-020

Sheet Number (s): 6 of 6

Index Title: Steel CCTV Pole

Summary of the changes:

Sheet 6: Deleted the "Pole Plate With Stainless Steel Band" and Added new "Cabinet Adapter Bracket" shown in DETAIL "E" and the POLE MOUNTED CABINET detail.

The following subarticle will be added in the January 2021 SSRBC:

"676-2.5.9 Adapter Bracket: If shown in the plans, provide an adapter bracket for pole mounted cabinets that is slotted or otherwise designed to allow banding straps to be installed to avoid pole handholes."

Standard Index 649-020 will also reference the adapter bracket.

Commentary / Background:

The CCTV pole hand hole had been vertically elongated, however, the CCTV cabinet bracket locations remained the same. As a result, when mounted, the CCTV cabinet mounting straps partially cover the CCTV pole hand holes.

Other Affected Offices / Documents: (Provide name of person contacted)

- | Yes | No | |
|-------------------------------------|-------------------------------------|---|
| <input checked="" type="checkbox"/> | <input type="checkbox"/> | Other Standard Plans – Rick Jenkins |
| <input type="checkbox"/> | <input checked="" type="checkbox"/> | FDOT Design Manual – |
| <input type="checkbox"/> | <input checked="" type="checkbox"/> | Basis of Estimates Manual – |
| <input checked="" type="checkbox"/> | <input type="checkbox"/> | Standard Specifications – Daniel Strickland |
| <input type="checkbox"/> | <input checked="" type="checkbox"/> | Approved Product List – |
| <input type="checkbox"/> | <input checked="" type="checkbox"/> | Construction – |
| <input type="checkbox"/> | <input checked="" type="checkbox"/> | Maintenance – |

Origination Package Includes:

(Email or hand deliver package to Rick Jenkins)

- | Yes | N/A | |
|-------------------------------------|-------------------------------------|--|
| <input checked="" type="checkbox"/> | <input type="checkbox"/> | Redline Mark-ups |
| <input type="checkbox"/> | <input checked="" type="checkbox"/> | Proposed Standard Plan Instruction (SPI) |
| <input type="checkbox"/> | <input checked="" type="checkbox"/> | Revised SPI |
| <input type="checkbox"/> | <input checked="" type="checkbox"/> | Other Support Documents |

Implementation:

- | | |
|-------------------------------------|----------------------------------|
| <input type="checkbox"/> | Design Bulletin (Interim) |
| <input type="checkbox"/> | DCE Memo |
| <input type="checkbox"/> | Program Mgmt. Bulletin |
| <input checked="" type="checkbox"/> | FY-Standard Plans (Next Release) |

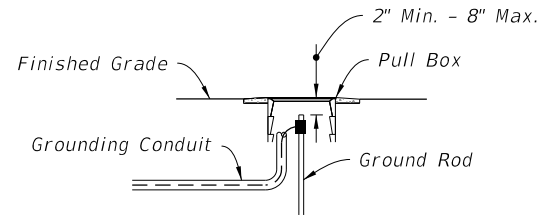
Contact the Roadway Design Office for assistance in completing this form

Bond #6 AWG Tin-Plated Bare Solid Copper Wire to Camera Support Base as Required.

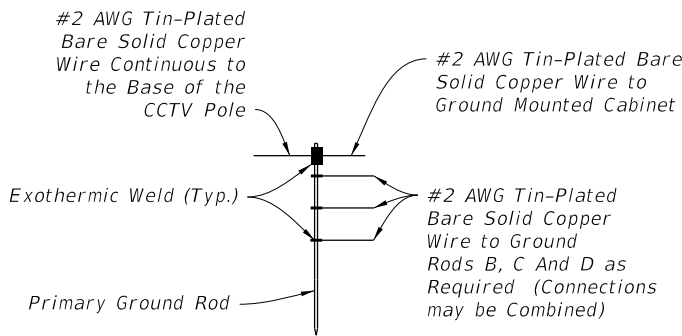
Dome Type CCTV Camera

1/2" ETP Alloy 110 Copper Air Terminal (Class II) UL-96A Listed Surface Base of 8 Square Inches Minimum Contact Area Per NFPA 780-4.16.3

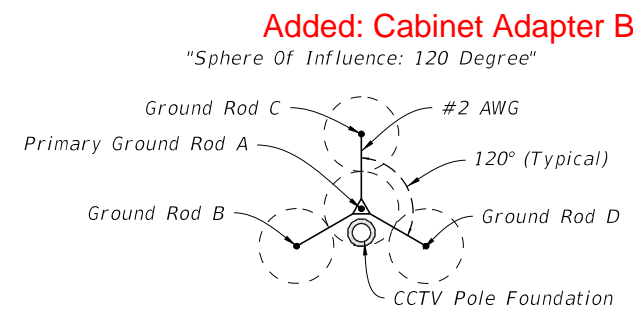
2'-0" Min.



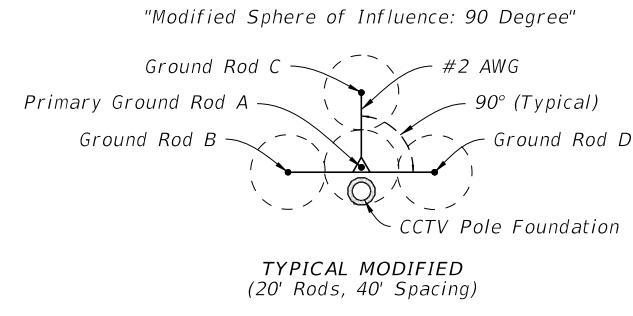
(Pole Mounted Cabinet Configuration Shown)
DETAIL "B"



DETAIL "C"



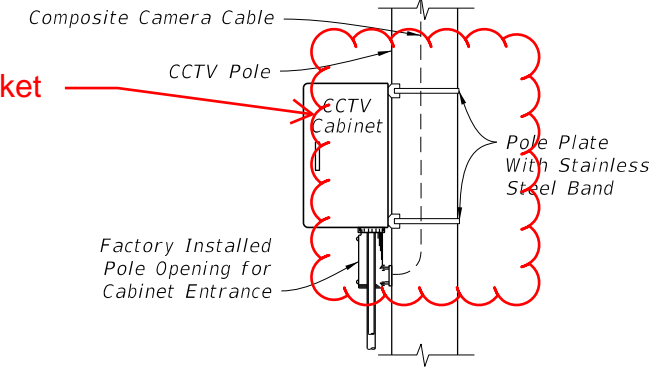
TYPICAL
(20' Rods, 40' Spacing)



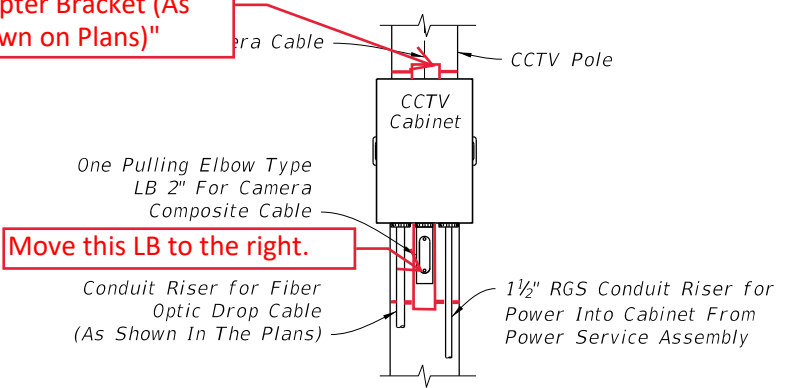
TYPICAL MODIFIED
(20' Rods, 40' Spacing)

GROUND ROD ARRAY PLACEMENT

DETAIL "D"



SIDE VIEW



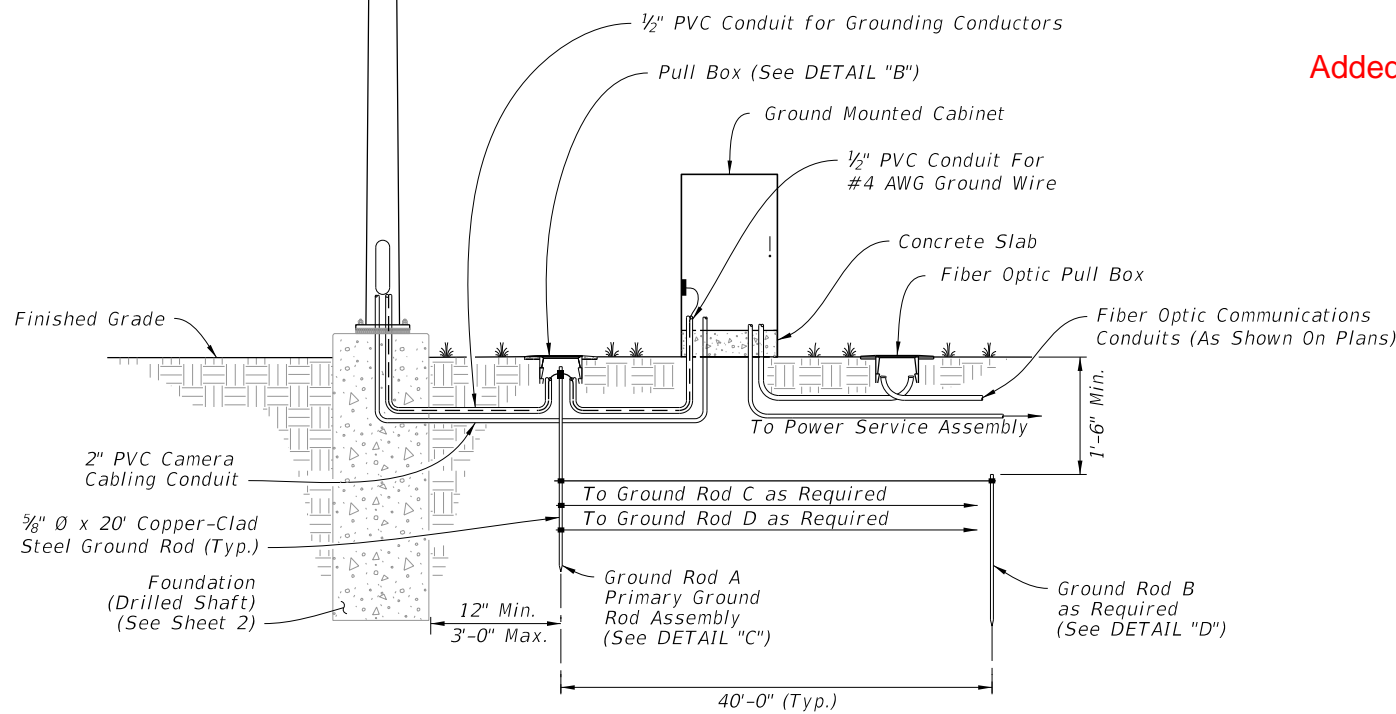
FRONT VIEW

DETAIL "E"

Add note: "Cabinet Adapter Bracket (As Shown on Plans)"

Move this LB to the right.

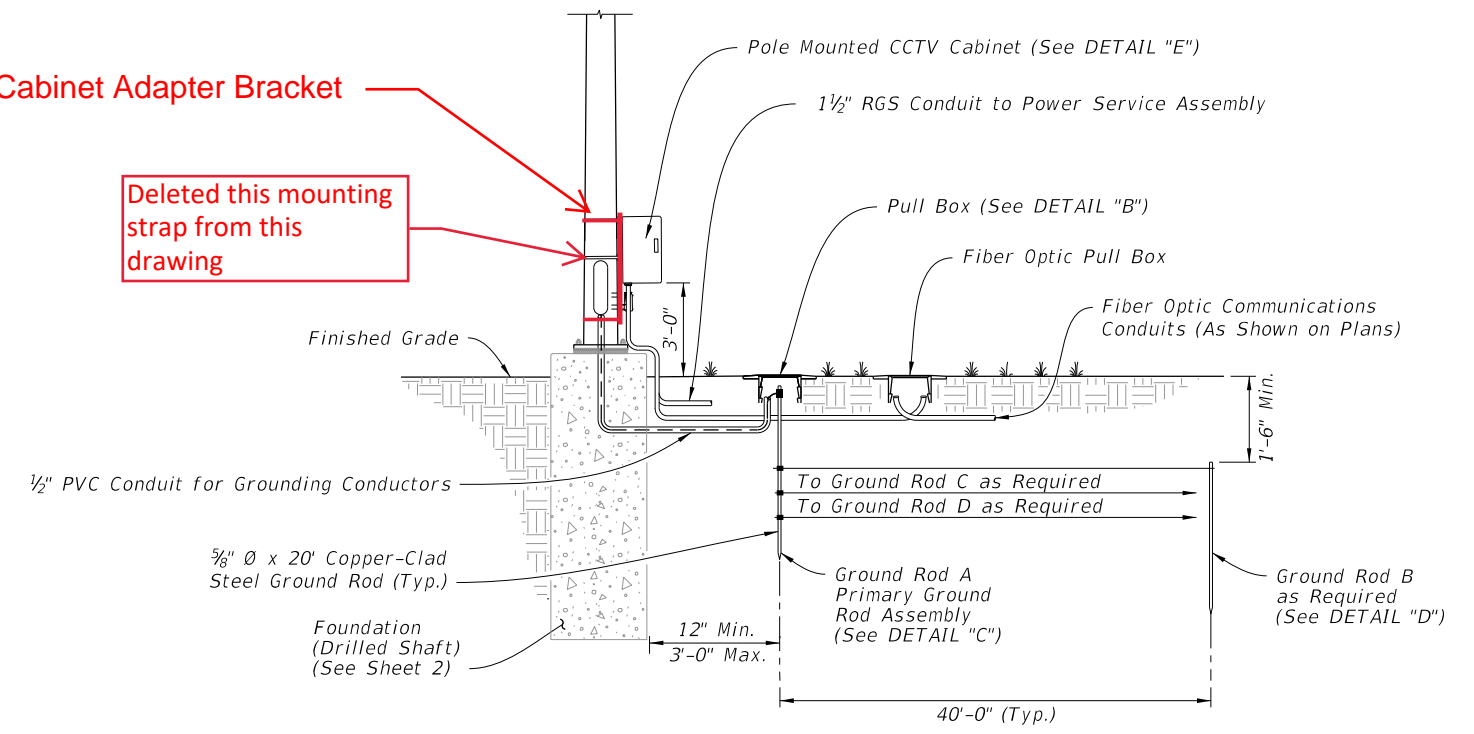
CCTV Pole (See Sheet 2)



GROUND MOUNTED CABINET

Added: Cabinet Adapter Bracket

Deleted this mounting strap from this drawing



POLE MOUNTED CABINET

STEEL CCTV POLE GROUNDING

10/14/2019 2:16:41 PM

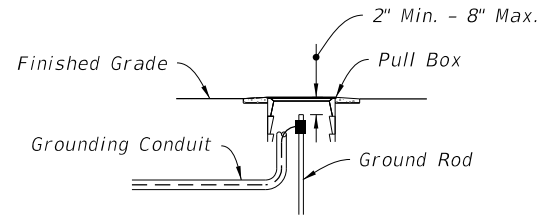
LAST REVISION 11/01/20	DESCRIPTION: 11/01/20	FDOT FY 2020-21 STANDARD PLANS	STEEL CCTV POLE	INDEX 649-020	SHEET 6 of 6
---------------------------	--------------------------	--------------------------------------	-----------------	------------------	-----------------

Bond #6 AWG Tin-Plated Bare Solid Copper Wire to Camera Support Base as Required.

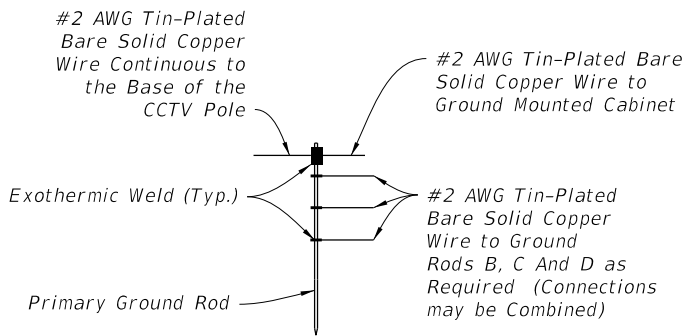
Dome Type CCTV Camera

1/2" ETP Alloy 110 Copper Air Terminal (Class II) UL-96A Listed Surface Base of 8 Square Inches Minimum Contact Area Per NFPA 780-4.16.3

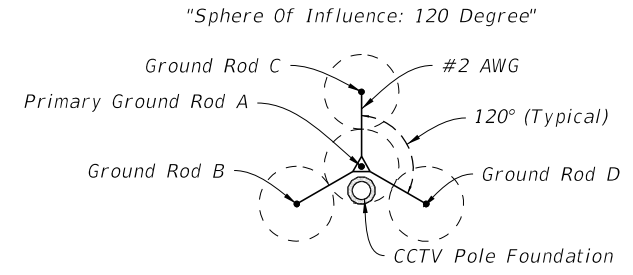
2'-0" Min.



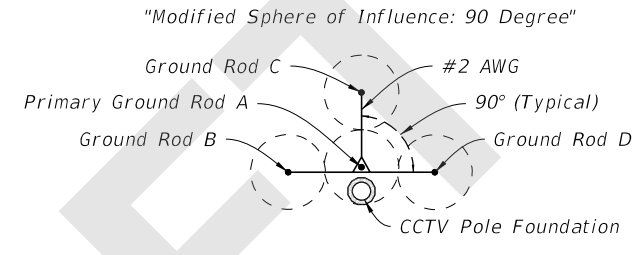
(Pole Mounted Cabinet Configuration Shown)
DETAIL "B"



DETAIL "C"

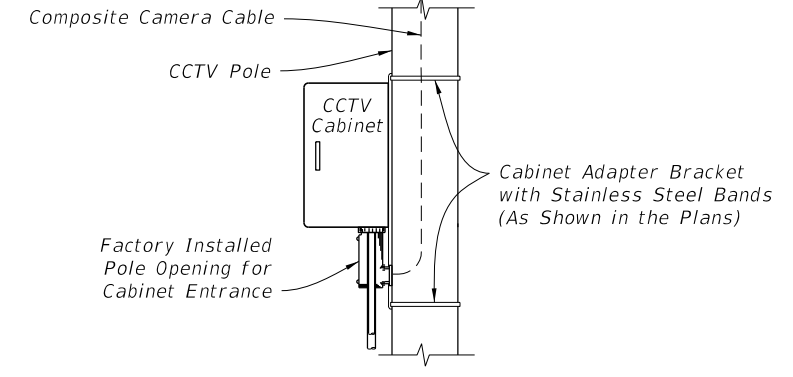


TYPICAL
(20' Rods, 40' Spacing)

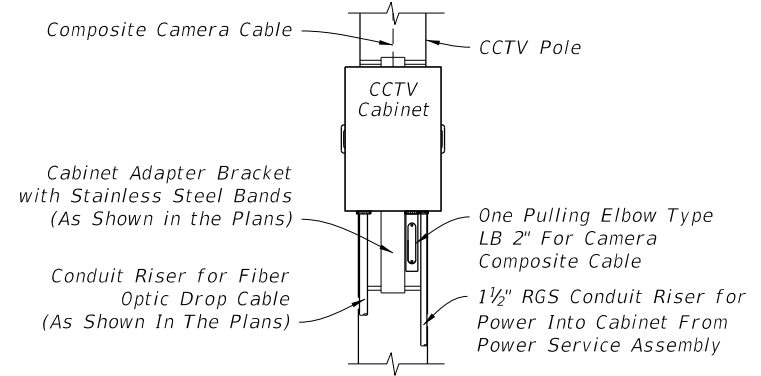


TYPICAL MODIFIED
(20' Rods, 40' Spacing)

GROUND ROD ARRAY PLACEMENT

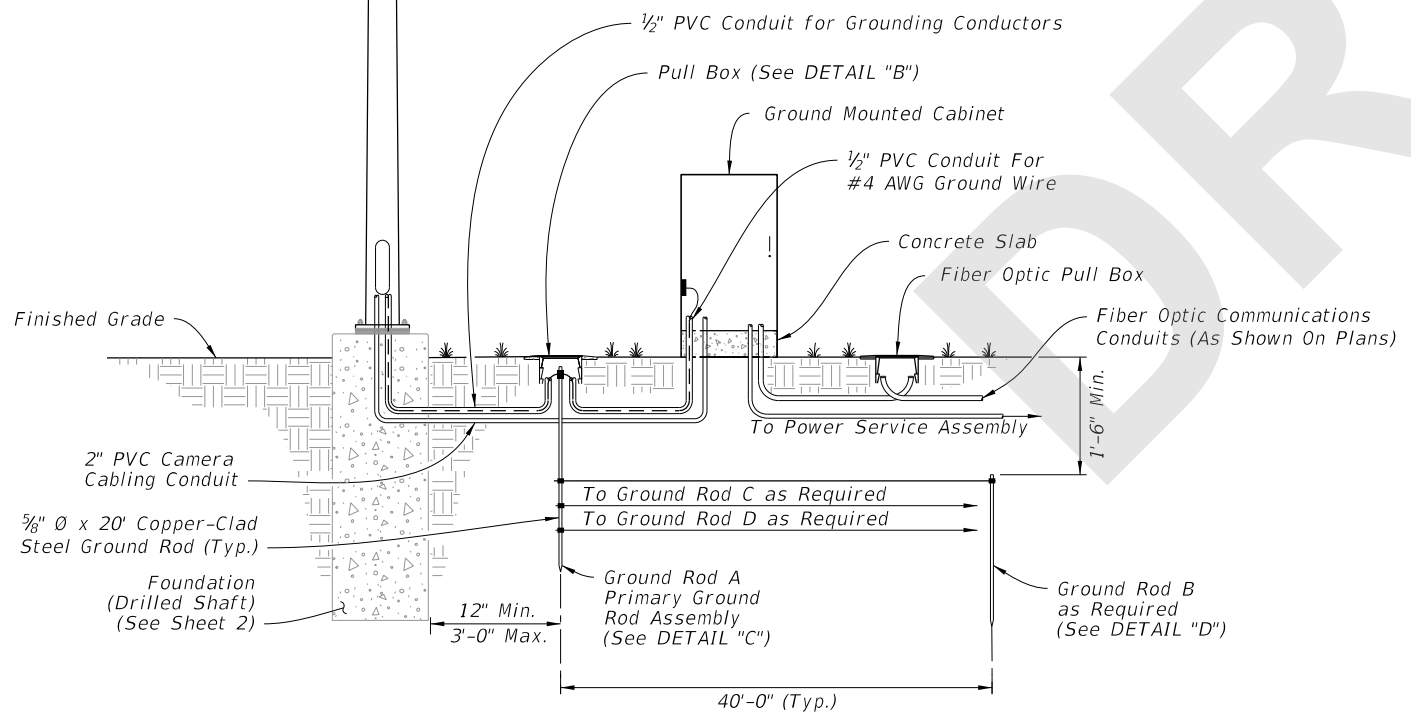


SIDE VIEW

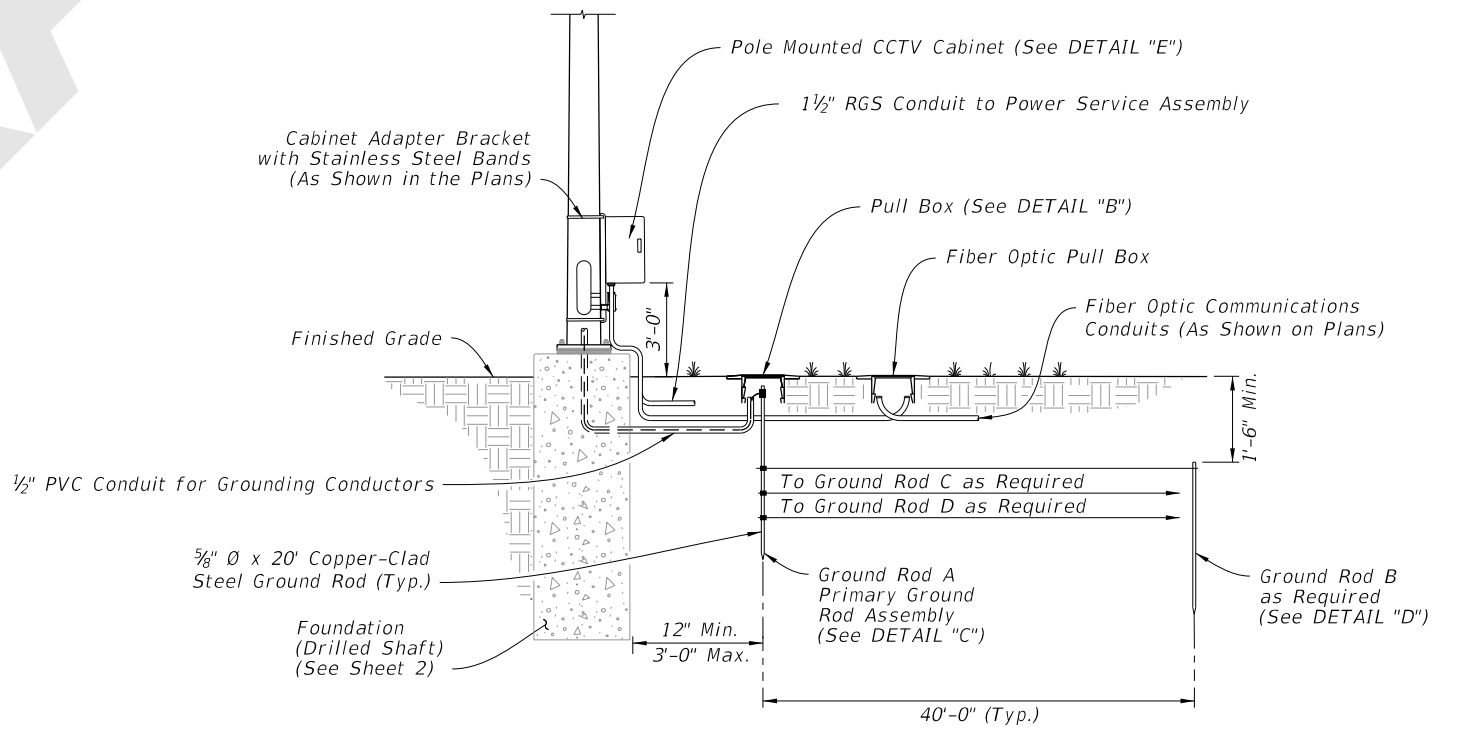


FRONT VIEW

DETAIL "E"



GROUND MOUNTED CABINET



POLE MOUNTED CABINET

STEEL CCTV POLE GROUNDING

8/10/2020 8:51:36 AM

LAST REVISION 11/01/20	REVISION	DESCRIPTION:		FY 2021-22 STANDARD PLANS	STEEL CCTV POLE	INDEX 649-020	SHEET 6 of 6
---------------------------	----------	--------------	--	-------------------------------------	------------------------	-------------------------	------------------------