

---

## ORIGINATION FORM

---

### Proposed Revisions to a Standard Plans Index (Please provide all information — Incomplete forms will be returned)

**Contact Information:**

Date: January 14, 2020

Originator: Cheryl Hudson

Phone: 414-5332

Email: cheryl.hudson@dot.state.fl.us

**Standard Plans:**

Index Number: 515-080

Sheet Number (s): 5

Index Title: Pipe Guiderail (Steel)

**Summary of the changes:**

Change edge beam of sidewalk to 9" deep.

**Commentary / Background:**

Due to research, embedment was reduced to 6"; therefore, the depth can be reduced to 9".

**Other Affected Offices / Documents:** (Provide name of person contacted)

Yes	No	
<input checked="" type="checkbox"/>	<input type="checkbox"/>	Other Standard Plans – 522-001 Concrete Sidewalk
<input type="checkbox"/>	<input checked="" type="checkbox"/>	FDOT Design Manual –
<input type="checkbox"/>	<input checked="" type="checkbox"/>	Basis of Estimates Manual –
<input type="checkbox"/>	<input checked="" type="checkbox"/>	Standard Specifications –
<input type="checkbox"/>	<input checked="" type="checkbox"/>	Approved Product List –
<input type="checkbox"/>	<input checked="" type="checkbox"/>	Construction –
<input type="checkbox"/>	<input checked="" type="checkbox"/>	Maintenance –

**Origination Package Includes:**

(Email or hand deliver package to Rick Jenkins)

Yes	N/A	
<input checked="" type="checkbox"/>	<input type="checkbox"/>	Redline Mark-ups
<input type="checkbox"/>	<input checked="" type="checkbox"/>	Proposed Standard Plan Instruction (SPI)
<input type="checkbox"/>	<input checked="" type="checkbox"/>	Revised SPI
<input type="checkbox"/>	<input checked="" type="checkbox"/>	Other Support Documents

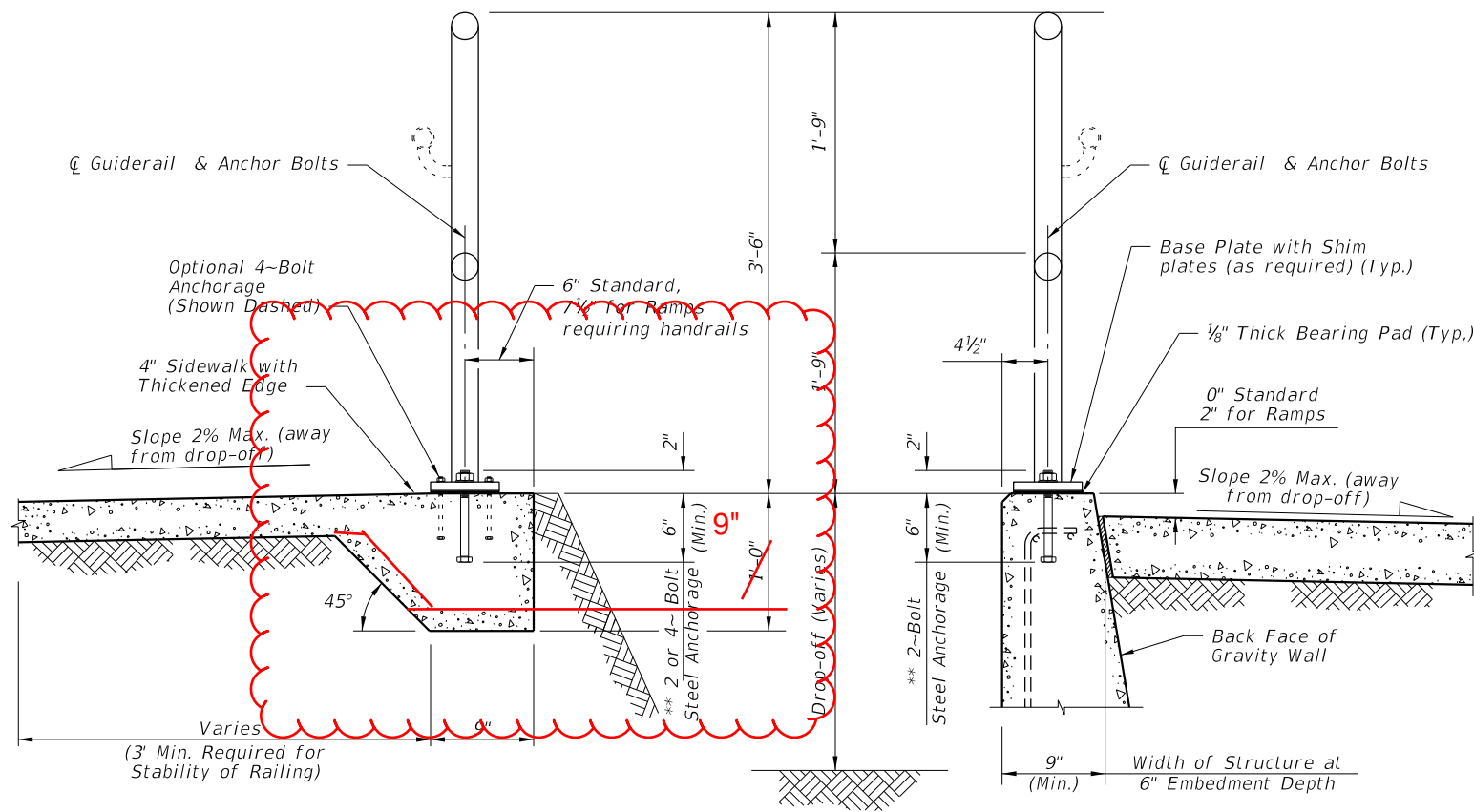
**Implementation:**

- Design Bulletin (Interim)
- DCE Memo
- Program Mgmt. Bulletin
- FY-Standard Plans (Next Release)

---

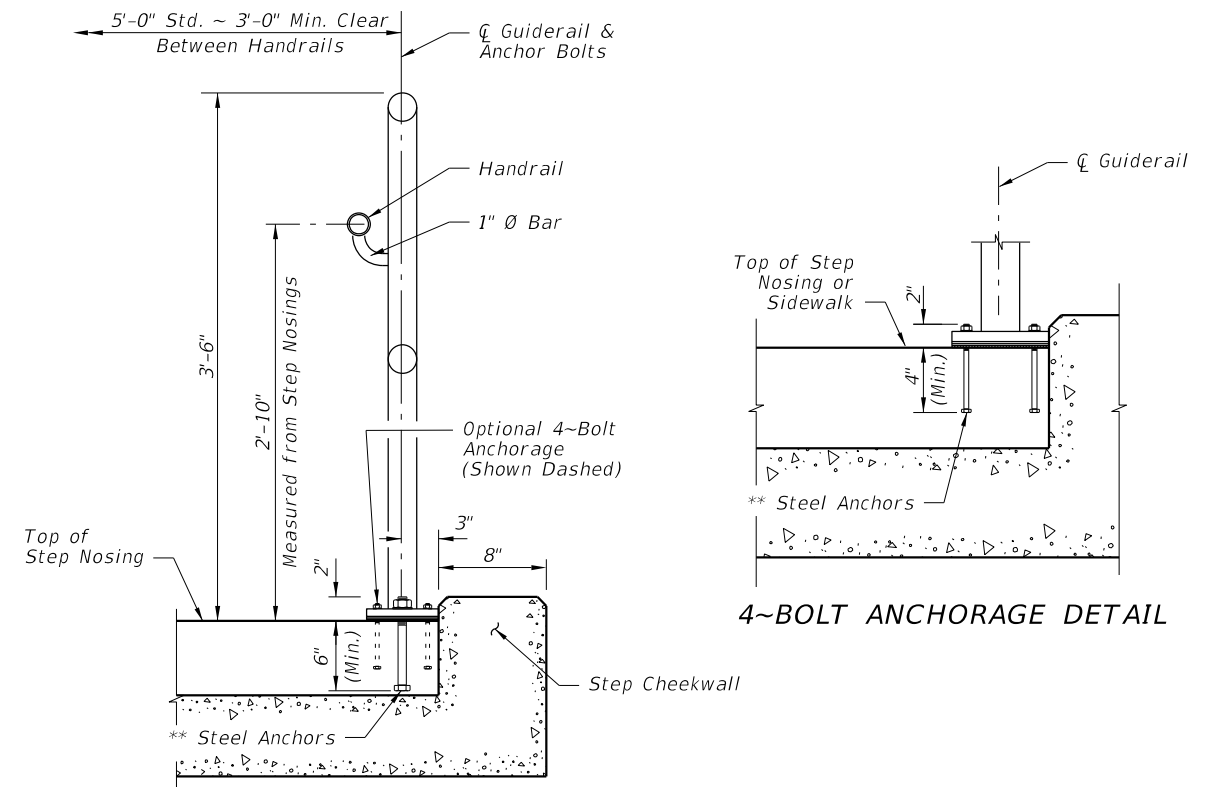
Contact the Roadway Design Office for assistance in completing this form

---



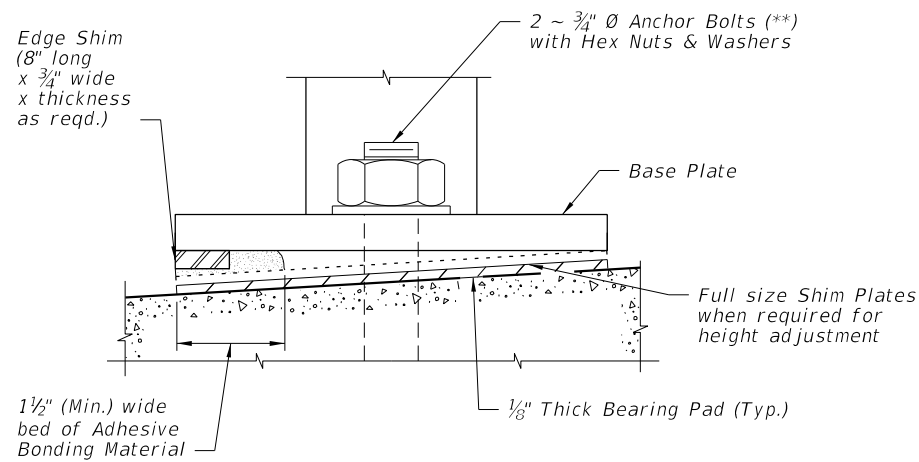
TYPICAL SECTION ON CONCRETE SIDEWALK

TYPICAL SECTION ON GRAVITY WALL  
(Other Retaining Walls Similar)

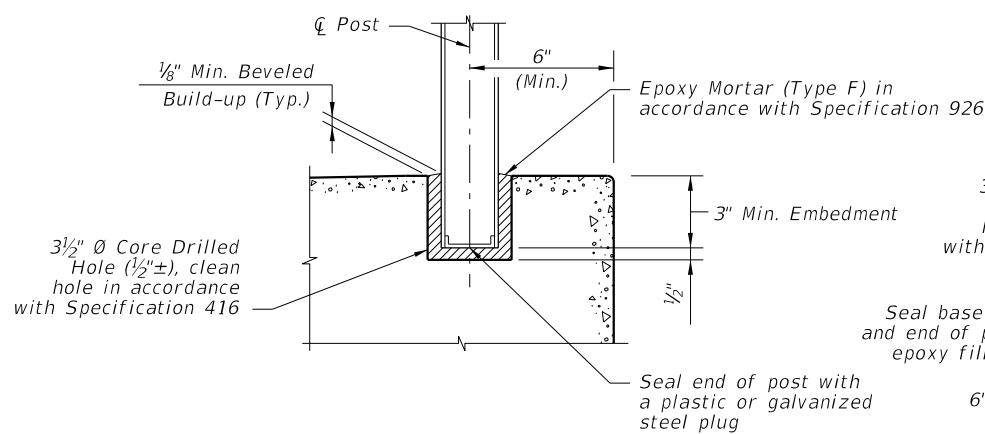


TYPICAL SECTION ON STEPS & STAIRS

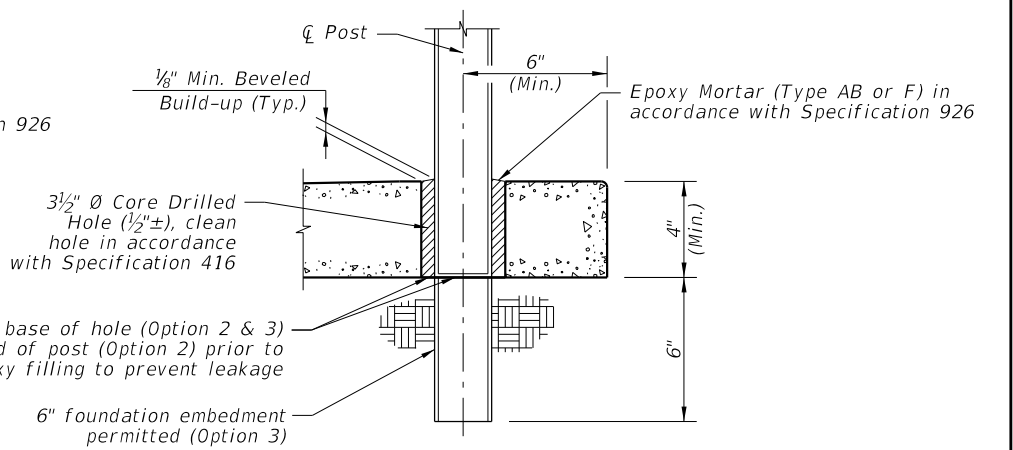
4-BOLT ANCHORAGE DETAIL



DETAIL "F" (OPTIONAL SHIMMING DETAIL FOR CROSS SLOPE CORRECTION)  
(Used in lieu of Beveled Shim Plates)



OPTIONAL SIDEWALK ANCHORAGE DETAIL



SIDEWALK ANCHORAGE DETAIL  
OPTION 2 & 3

NOTES:  
 \*\*2 ~ 3/4" Ø x 8" or 4 ~ 7/16" Ø x 6" Steel Anchors:  
 Galvanized Steel Bolts (As Shown) (C-I-P); Galvanized U-Bolts Permitted (C-I-P); Galvanized Adhesive Anchors Permitted (\*\*\*)  
 Expansion Anchors Not Permitted.

\*\*\* The minimum embedment for adhesive anchors is 6" for 2-Bolt Anchorage or 4" for 4-Bolt Anchorage.

10/14/2019 11:05:18 AM

11/01/2020

LAST REVISION	DESCRIPTION:
11/01/17	
11/01/2020	

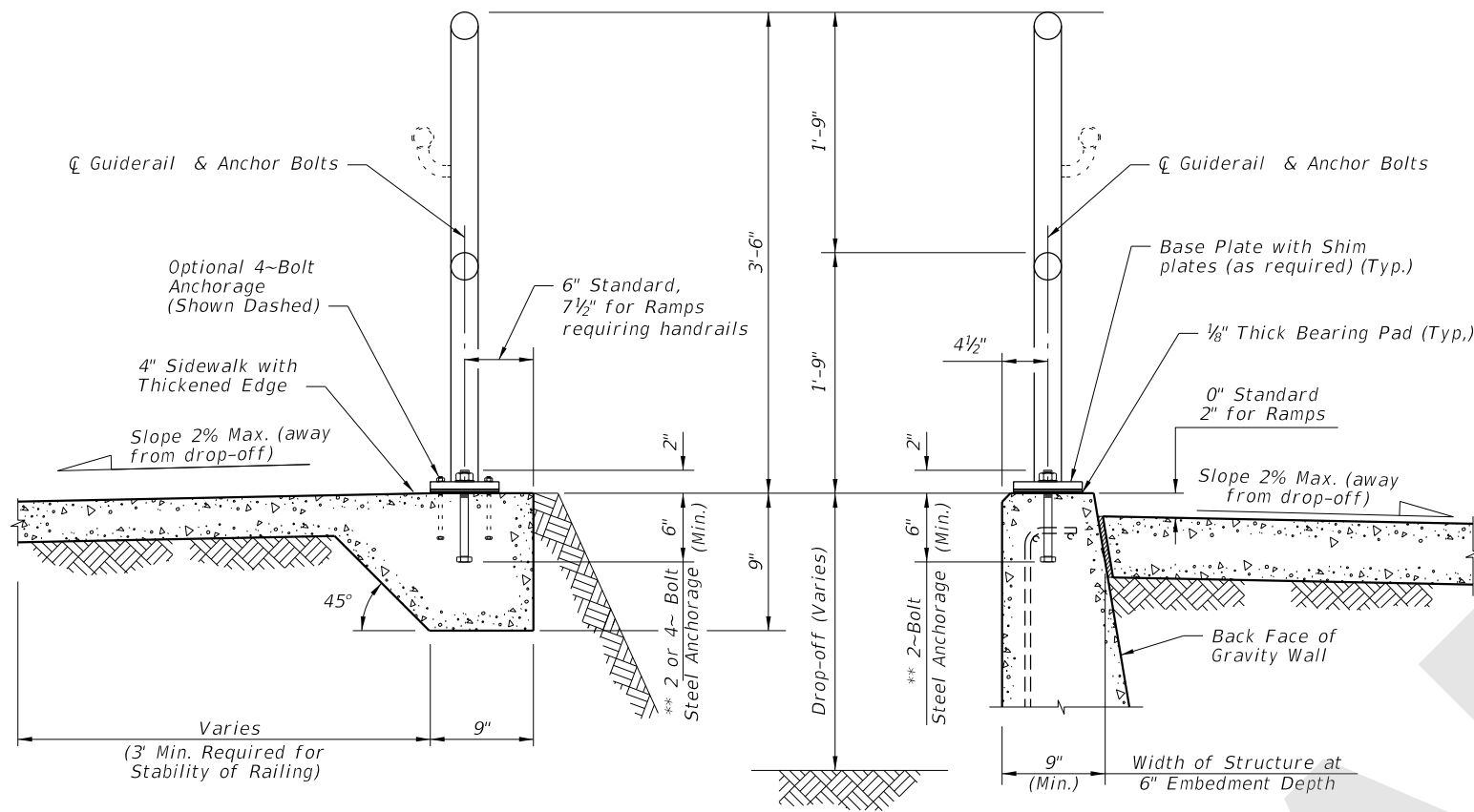


FY 2020-21  
STANDARD PLANS

PIPE GUIDERAIL (STEEL)

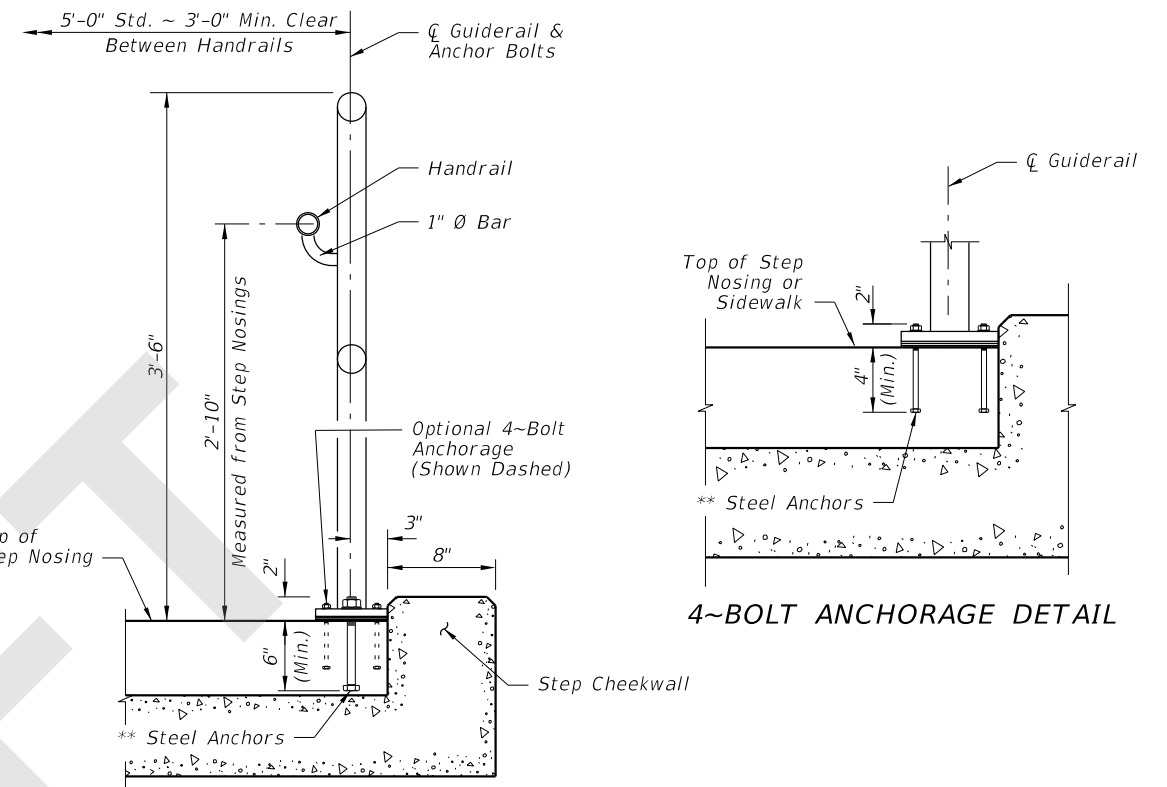
INDEX  
515-080

SHEET  
5 of 5



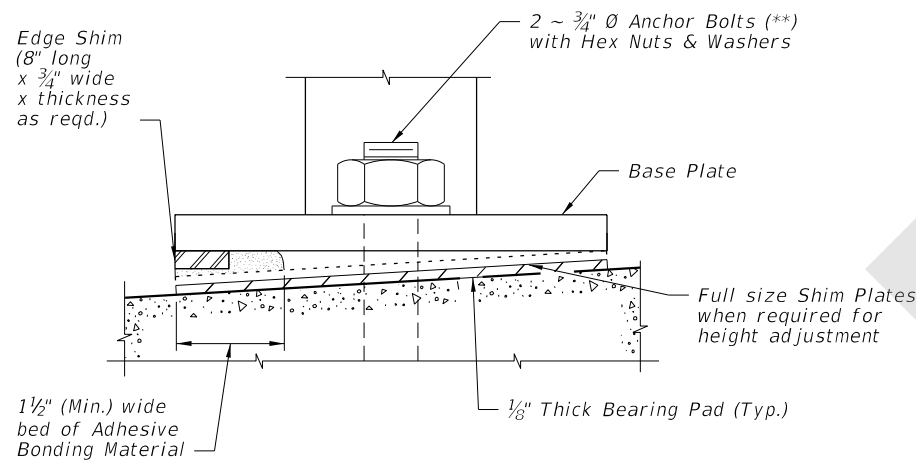
TYPICAL SECTION ON CONCRETE SIDEWALK

TYPICAL SECTION ON GRAVITY WALL  
(Other Retaining Walls Similar)

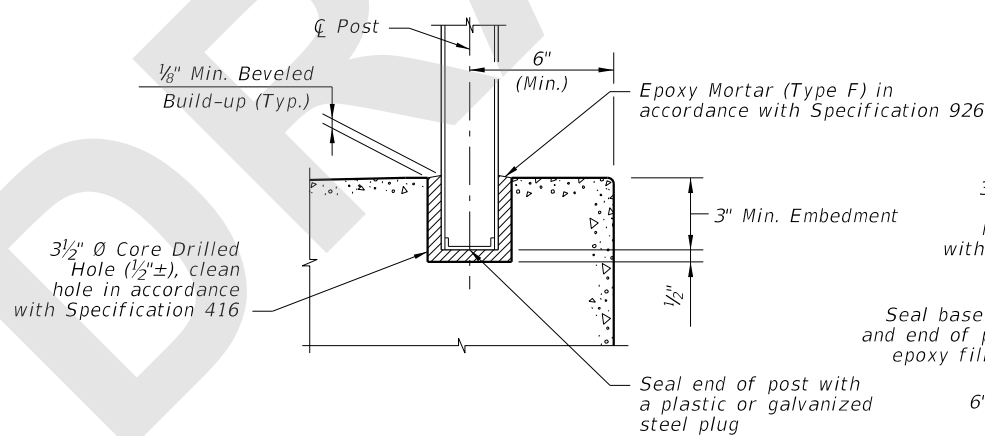


TYPICAL SECTION ON STEPS & STAIRS

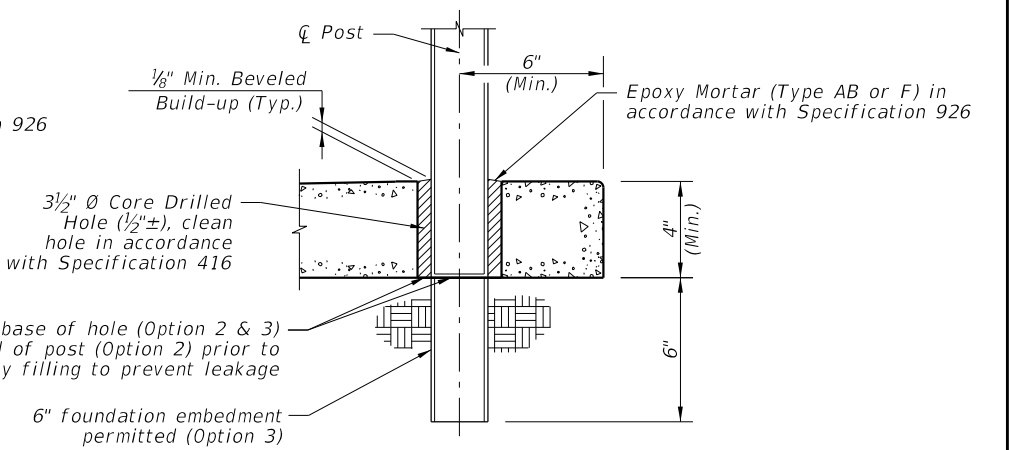
4~BOLT ANCHORAGE DETAIL



DETAIL "F" (OPTIONAL SHIMMING DETAIL FOR CROSS SLOPE CORRECTION)  
(Used in lieu of Beveled Shim Plates)



OPTIONAL SIDEWALK ANCHORAGE DETAIL




SIDEWALK ANCHORAGE DETAIL  
OPTION 2 & 3

NOTES:  
 \*\*2 ~ 3/4" Ø x 8" or 4 ~ 7/16" Ø x 6" Steel Anchors:  
 Galvanized Steel Bolts (As Shown) (C-I-P); Galvanized U-Bolts Permitted (C-I-P); Galvanized Adhesive Anchors Permitted (\*\*\*)  
 Expansion Anchors Not Permitted.

\*\*\* The minimum embedment for adhesive anchors is 6" for 2-Bolt Anchorage or 4" for 4-Bolt Anchorage.

9/22/2020 10:38:02 AM

LAST REVISION 11/01/20	DESCRIPTION:	 FY 2021-22 STANDARD PLANS	PIPE GUIDERAIL (STEEL)	INDEX 515-080	SHEET 5 of 5
---------------------------	--------------	---	------------------------	------------------	-----------------