
ORIGINATION FORM

Proposed Revisions to a Standard Plans Index (Please provide all information — Incomplete forms will be returned)

Contact Information:

Date: January 14, 2020

Originator: Cheryl Hudson

Phone: 414-5332

Email: cheryl.hudson@dot.state.fl.us

Standard Plans:

Index Number: 515-070

Sheet Number (s): 5

Index Title: Pipe Guiderail (Aluminum)

Summary of the changes:

Change edge beam of sidewalk to 9" deep.

Commentary / Background:

Due to research, embedment was reduced to 6"; therefore, the depth can be reduced to 9".

Other Affected Offices / Documents: (Provide name of person contacted)

Yes	No	
<input checked="" type="checkbox"/>	<input type="checkbox"/>	Other Standard Plans – 522-001 Concrete Sidewalk
<input type="checkbox"/>	<input checked="" type="checkbox"/>	FDOT Design Manual –
<input type="checkbox"/>	<input checked="" type="checkbox"/>	Basis of Estimates Manual –
<input type="checkbox"/>	<input checked="" type="checkbox"/>	Standard Specifications –
<input type="checkbox"/>	<input checked="" type="checkbox"/>	Approved Product List –
<input type="checkbox"/>	<input checked="" type="checkbox"/>	Construction –
<input type="checkbox"/>	<input checked="" type="checkbox"/>	Maintenance –

Origination Package Includes:

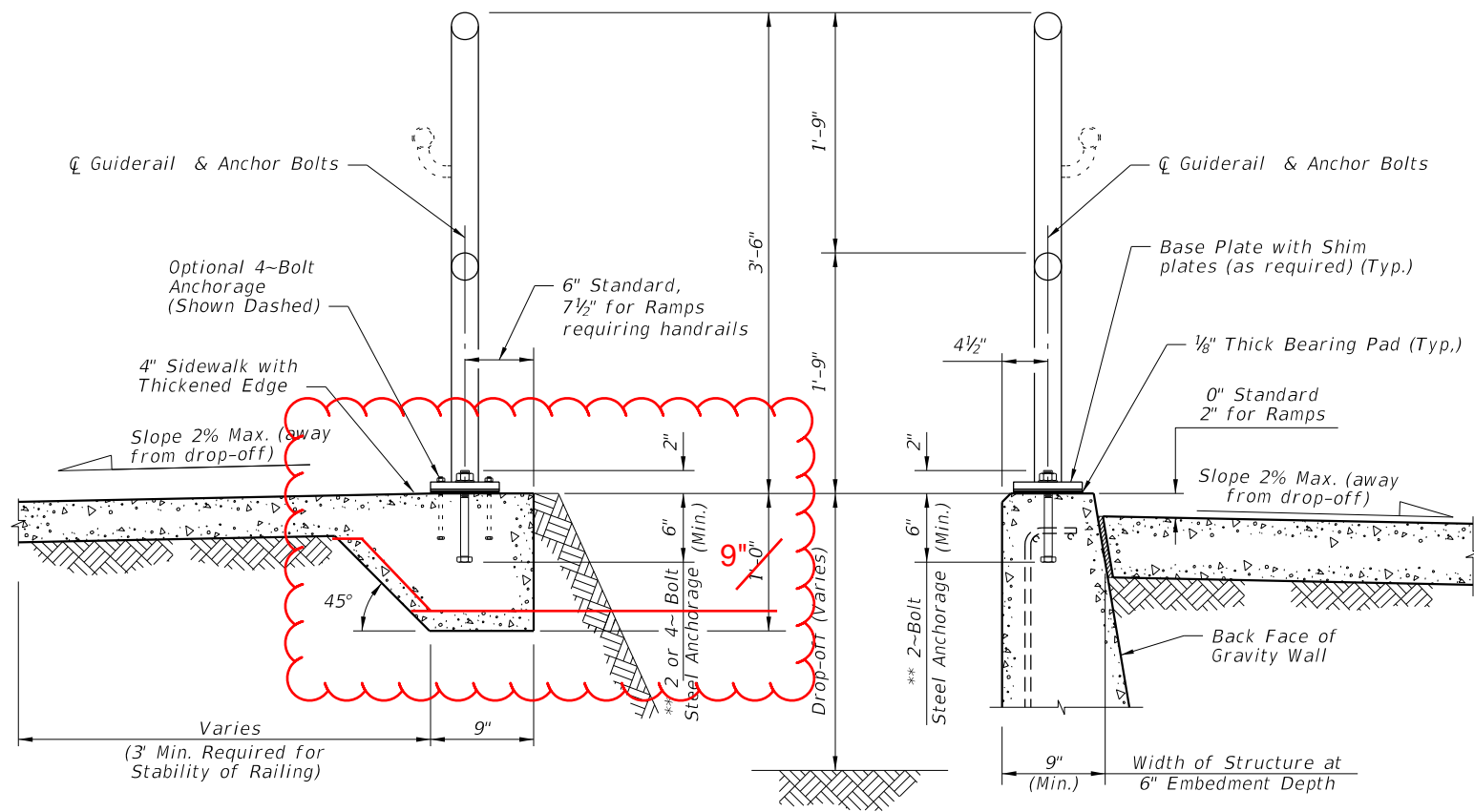
(Email or hand deliver package to Rick Jenkins)

Yes	N/A	
<input checked="" type="checkbox"/>	<input type="checkbox"/>	Redline Mark-ups
<input type="checkbox"/>	<input checked="" type="checkbox"/>	Proposed Standard Plan Instruction (SPI)
<input type="checkbox"/>	<input checked="" type="checkbox"/>	Revised SPI
<input type="checkbox"/>	<input checked="" type="checkbox"/>	Other Support Documents

Implementation:

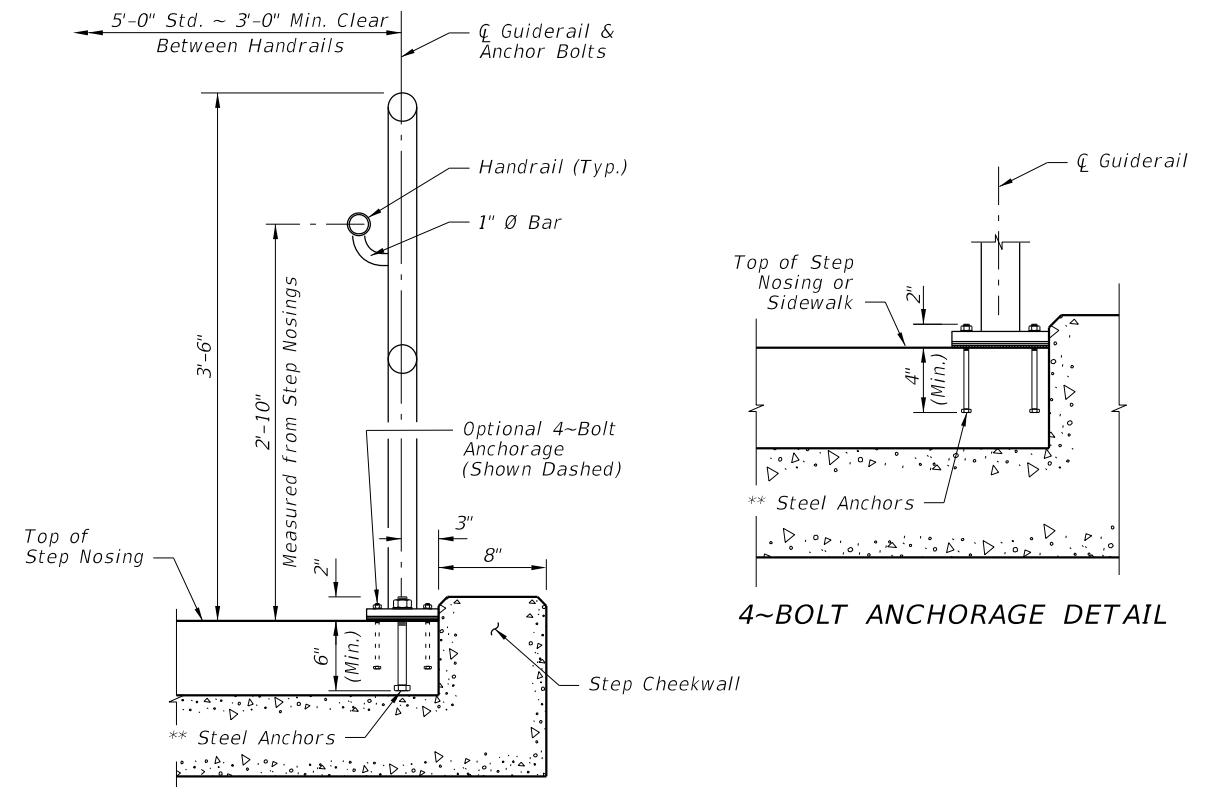
- Design Bulletin (Interim)
- DCE Memo
- Program Mgmt. Bulletin
- FY-Standard Plans (Next Release)

Contact the Roadway Design Office for assistance in completing this form



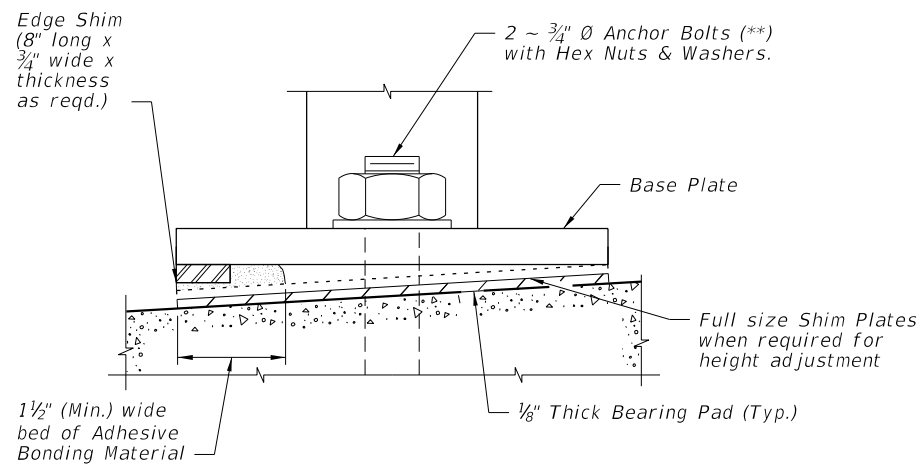
TYPICAL SECTION ON CONCRETE SIDEWALK

TYPICAL SECTION ON GRAVITY WALL
(Other Retaining Walls Similar)

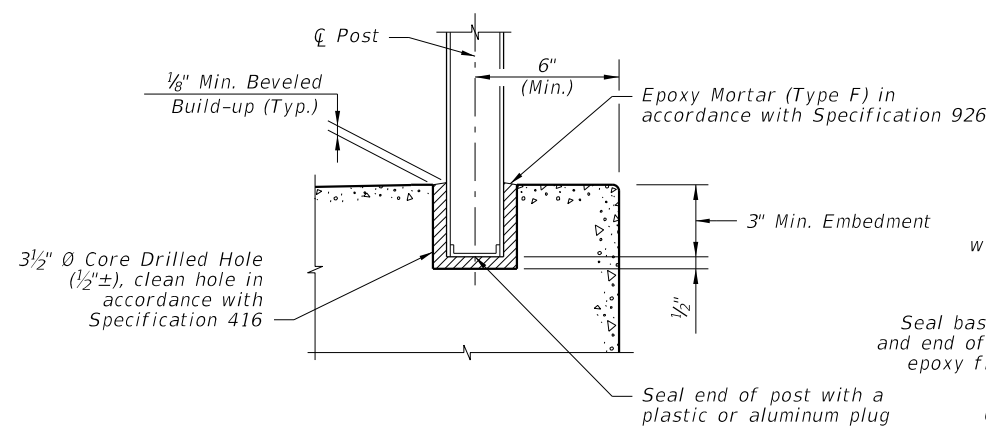


TYPICAL SECTION ON STEPS & STAIRS

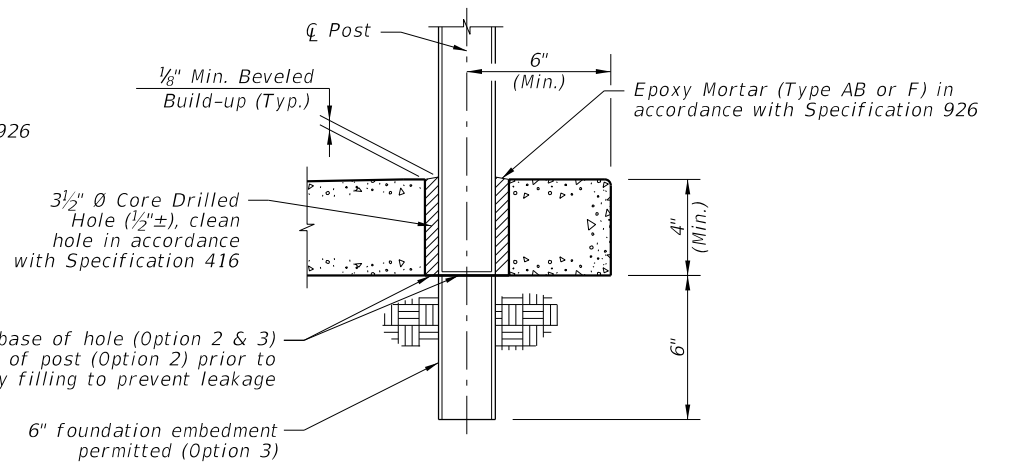
4-BOLT ANCHORAGE DETAIL



DETAIL "F" (OPTIONAL SHIMMING DETAIL FOR CROSS SLOPE CORRECTION)
(Used in lieu of Beveled Shim Plates)



SIDEWALK ANCHORAGE DETAIL OPTION 1



SIDEWALK ANCHORAGE DETAIL OPTION 2 & 3

NOTES:
 ** 2 - 3/4" Ø x 8" or 4 - 7/16" Ø x 6" Steel Anchors;
 Galvanized Steel Bolts (As Shown) (C-I-P); Galvanized U-Bolts Permitted (C-I-P); Galvanized Adhesive Anchors Permitted
 *** The minimum embedment for Adhesive Anchors is 6" for 2-Bolt Anchorage or 4" for 4-Bolt Anchorage.

10/14/2019 11:04:41 AM

11/01/2020

LAST REVISION	DESCRIPTION:
11/01/17	

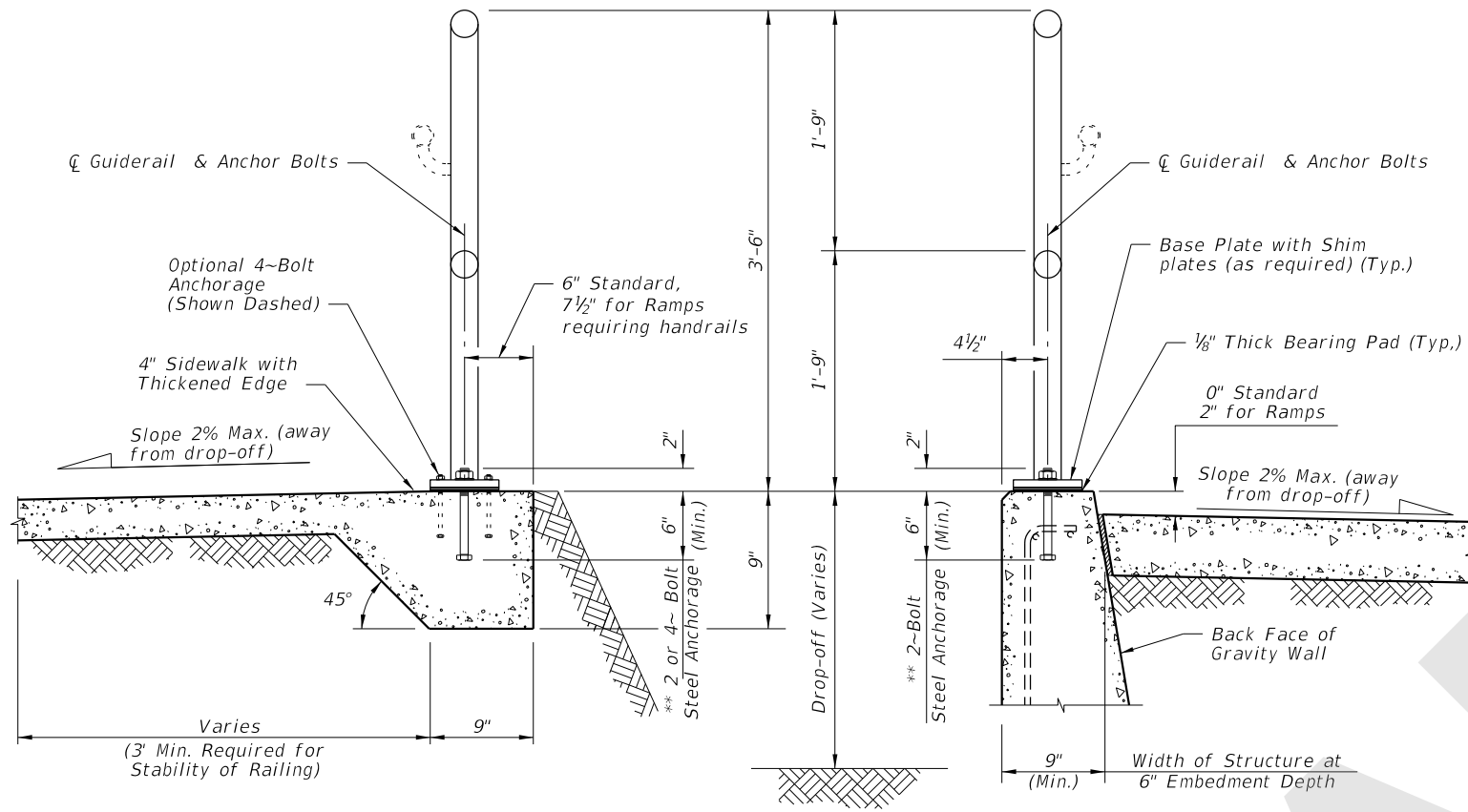


FY 2020-21
STANDARD PLANS

PIPE GUIDERAIL (ALUMINUM)

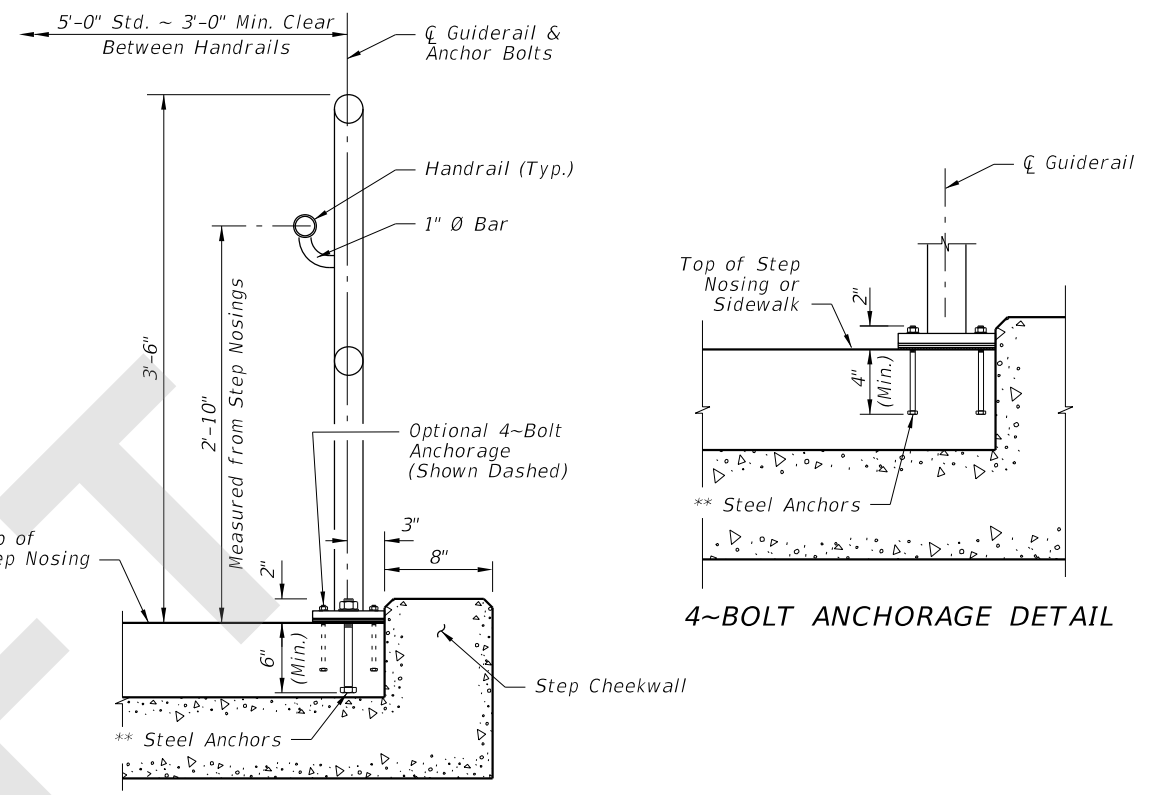
INDEX
515-070

SHEET
5 of 5



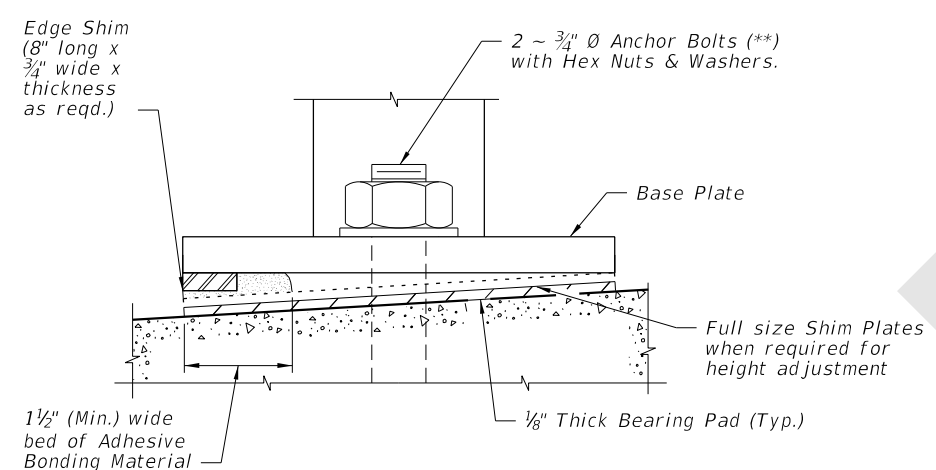
TYPICAL SECTION ON CONCRETE SIDEWALK

TYPICAL SECTION ON GRAVITY WALL
(Other Retaining Walls Similar)

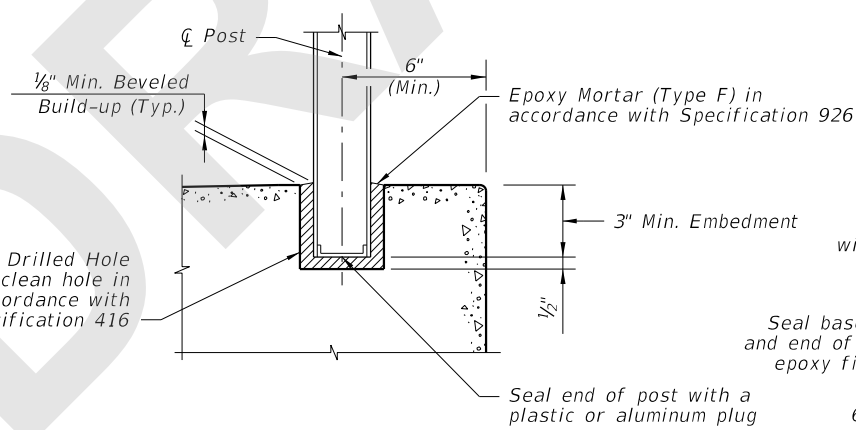


TYPICAL SECTION ON STEPS & STAIRS

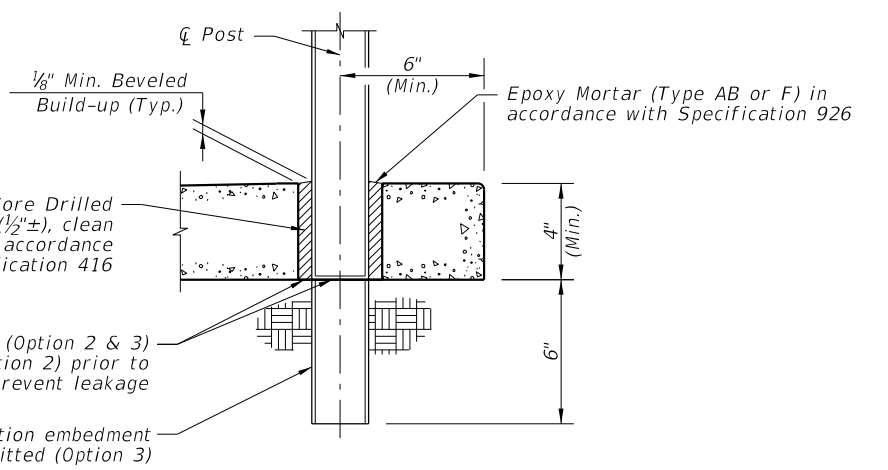
4~BOLT ANCHORAGE DETAIL



DETAIL "F" (OPTIONAL SHIMMING DETAIL FOR CROSS SLOPE CORRECTION)
(Used in lieu of Beveled Shim Plates)




SIDEWALK ANCHORAGE DETAIL OPTION 1



SIDEWALK ANCHORAGE DETAIL OPTION 2 & 3

NOTES:
 ** 2 - 3/4" Ø x 8" or 4 - 7/16" Ø x 6" Steel Anchors;
 Galvanized Steel Bolts (As Shown) (C-I-P); Galvanized U-Bolts Permitted (C-I-P); Galvanized Adhesive Anchors Permitted
 *** The minimum embedment for Adhesive Anchors is 6" for 2-Bolt Anchorage or 4" for 4-Bolt Anchorage.

9/22/2020 10:26:29 AM

LAST REVISION 11/01/20	DESCRIPTION:	 FY 2021-22 STANDARD PLANS	PIPE GUIDERAIL (ALUMINUM)	INDEX 515-070	SHEET 5 of 5
---------------------------	--------------	--	---------------------------	------------------	-----------------