
ORIGINATION FORM

Proposed Revisions to a Standard Plans Index (Please provide all information — Incomplete forms will be returned)

Contact Information:

Date: January 9, 2020

Originator: Cheryl Hudson

Phone: 414-5332

Email: cheryl.hudson@dot.state.fl.us

Standard Plans:

Index Number: 515-052

Sheet Number (s): 8

Index Title: Bicycle Pedestrian Railing (Steel)

Summary of the changes:

Change edge beam of sidewalk to 9" deep.

Commentary / Background:

Due to research, embedment was reduced to 6"; therefore, the depth can be reduced to 9".

Other Affected Offices / Documents: (Provide name of person contacted)

Yes	No	
<input type="checkbox"/>	<input checked="" type="checkbox"/>	Other Standard Plans –
<input type="checkbox"/>	<input checked="" type="checkbox"/>	FDOT Design Manual –
<input type="checkbox"/>	<input checked="" type="checkbox"/>	Basis of Estimates Manual –
<input type="checkbox"/>	<input checked="" type="checkbox"/>	Standard Specifications –
<input type="checkbox"/>	<input checked="" type="checkbox"/>	Approved Product List –
<input type="checkbox"/>	<input checked="" type="checkbox"/>	Construction –
<input type="checkbox"/>	<input checked="" type="checkbox"/>	Maintenance –

Origination Package Includes:

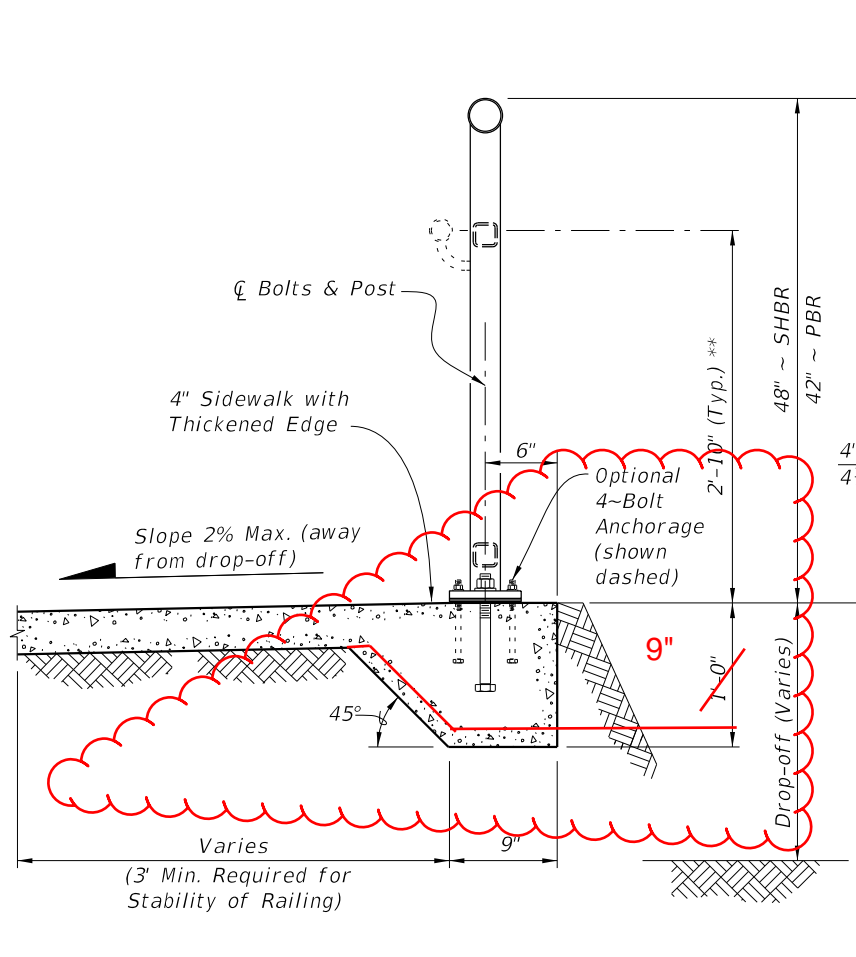
(Email or hand deliver package to Rick Jenkins)

Yes	N/A	
<input checked="" type="checkbox"/>	<input type="checkbox"/>	Redline Mark-ups
<input type="checkbox"/>	<input checked="" type="checkbox"/>	Proposed Standard Plan Instruction (SPI)
<input type="checkbox"/>	<input checked="" type="checkbox"/>	Revised SPI
<input type="checkbox"/>	<input checked="" type="checkbox"/>	Other Support Documents

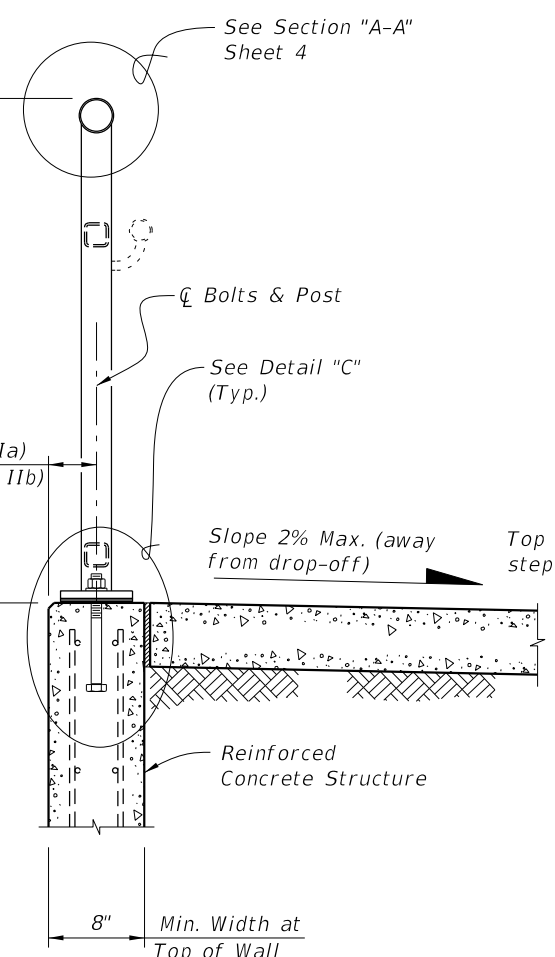
Implementation:

- Design Bulletin (Interim)
- DCE Memo
- Program Mgmt. Bulletin
- FY-Standard Plans (Next Release)

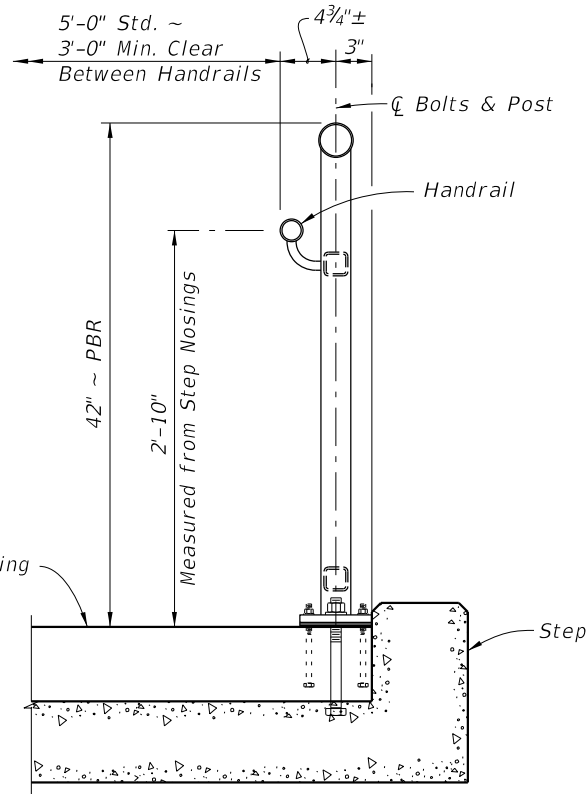
Contact the Roadway Design Office for assistance in completing this form



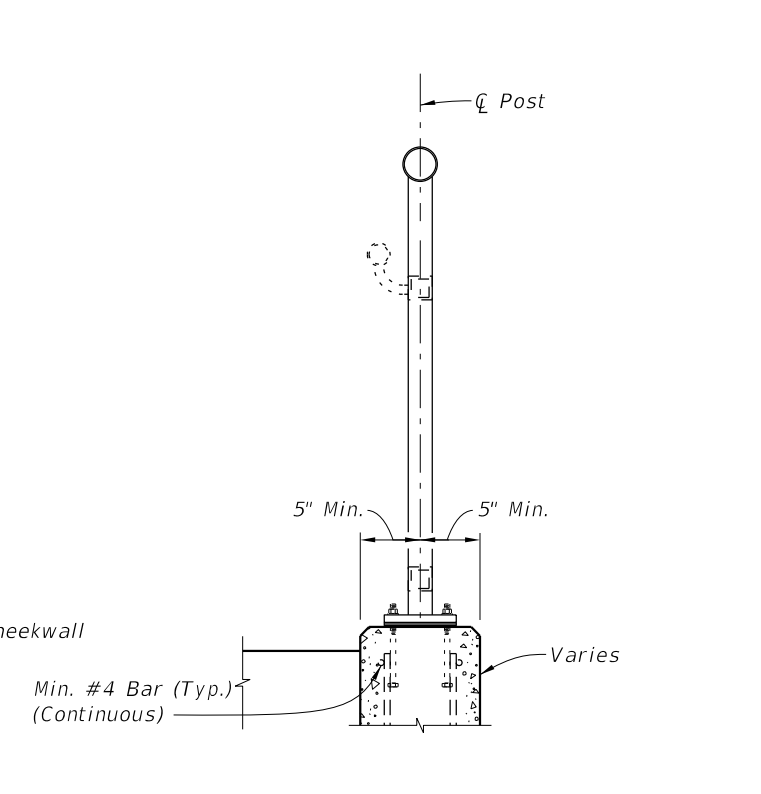
TYPICAL SECTION ON CONCRETE SIDEWALK (Case I)



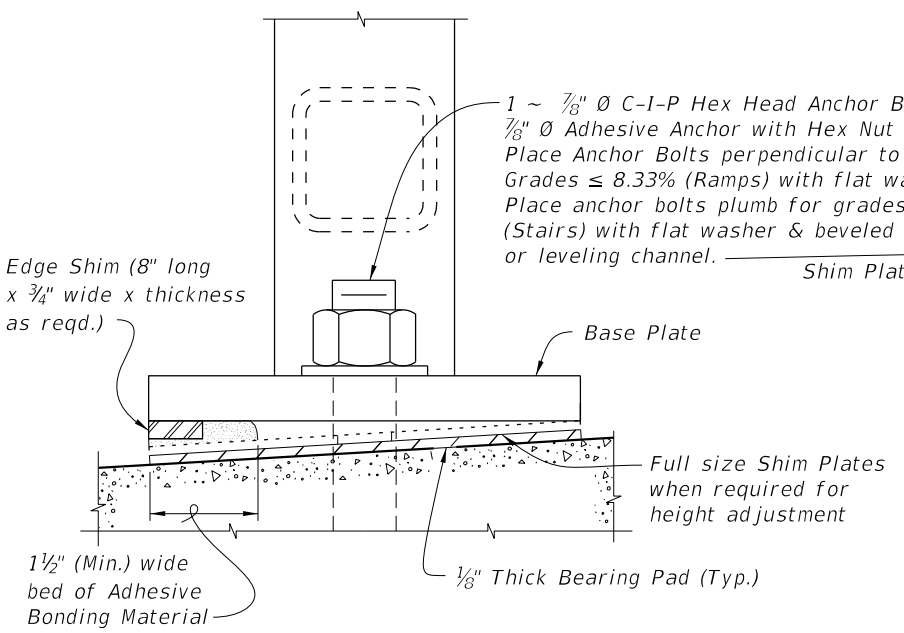
TYPICAL SECTION ON RETAINING WALL (Case II)



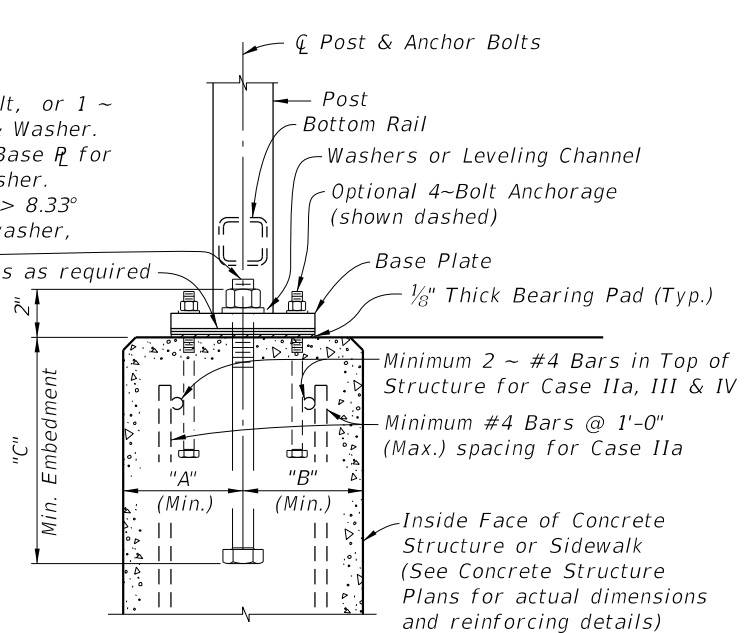
TYPICAL SECTION ON STEPS & STAIRS (Case III)



TYPICAL SECTION FOR 4-BOLT ANCHORAGE (Case IV)



DETAIL "D" (OPTIONAL SHIMMING DETAIL FOR CROSS SLOPE CORRECTION) (Used in lieu of Beveled Shim Plates)



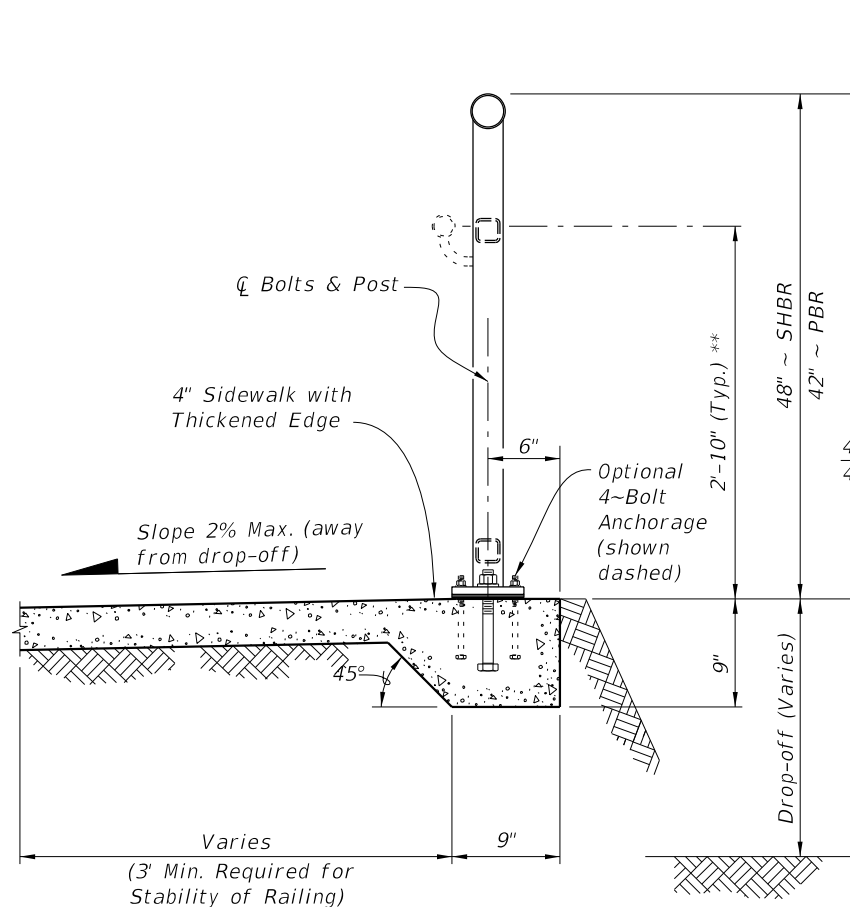
DETAIL "C" (Cast-In-Place Anchor Bolts shown, Adhesive Anchors similar)

CASE	STRUCTURE TYPE	DIMENSIONS			ANCHOR LENGTH		ANCHOR SIZE
		A	B	C	C-I-P Hex Head Bolt	Adhesive Anchor	
		Edge Dist.	Edge Dist.	Embedment			
I	Unreinforced Concrete	6"	1'-2"	6"	7 1/2"	8"	7/8" Ø
IIa	Reinforced Concrete	4"	4"	9"	10 1/2"	11"	7/8" Ø
IIb	Gravity Wall Index 400-011	4 1/2"	3 1/2" @ top	9"	10 1/2"	11"	7/8" Ø
III	Step Cheekwall	4 1/2"	4 1/2"	9"	10 1/2"	11"	7/8" Ø
IV	Varies	5"	5"	5"	6 1/2"	7"	7/16" Ø

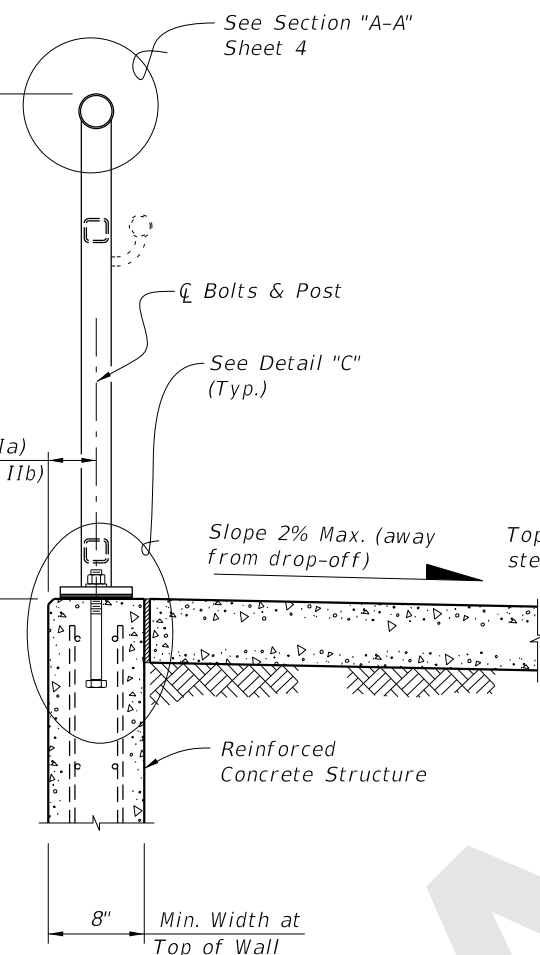
** When required; measured from top of sidewalk.

10/23/2013 2:46:49 PM

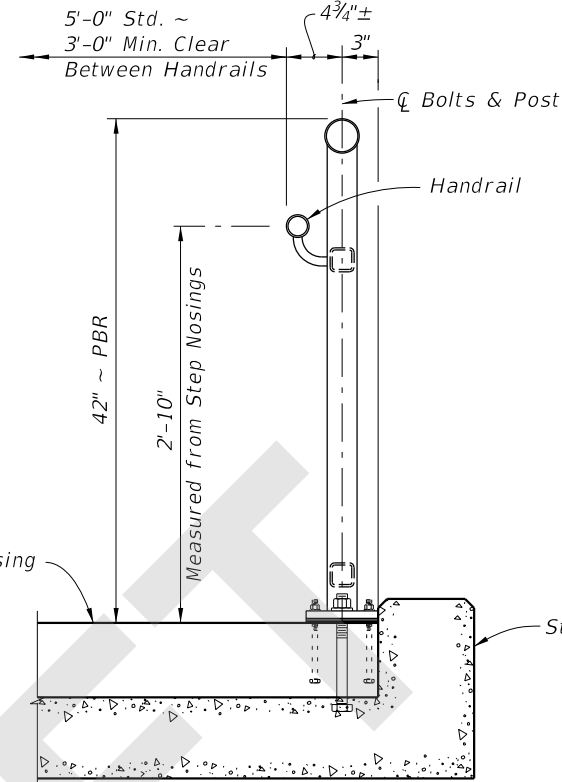
20	LAST REVISION 11/01/19	DESCRIPTION:
----	------------------------	--------------



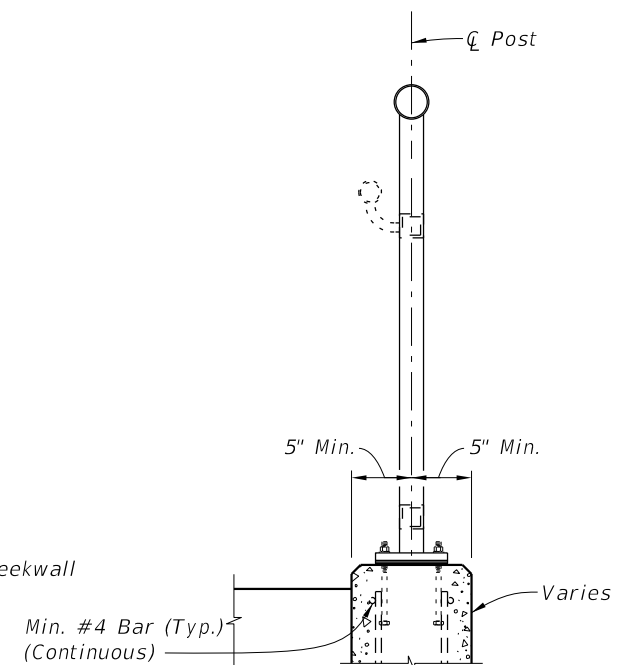
TYPICAL SECTION ON CONCRETE SIDEWALK (Case I)



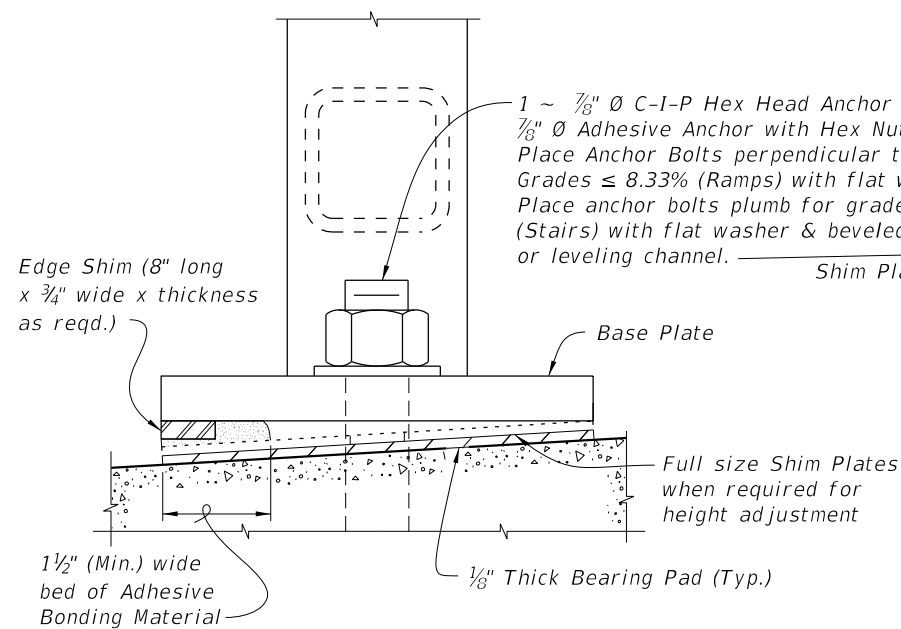
TYPICAL SECTION ON RETAINING WALL (Case II)



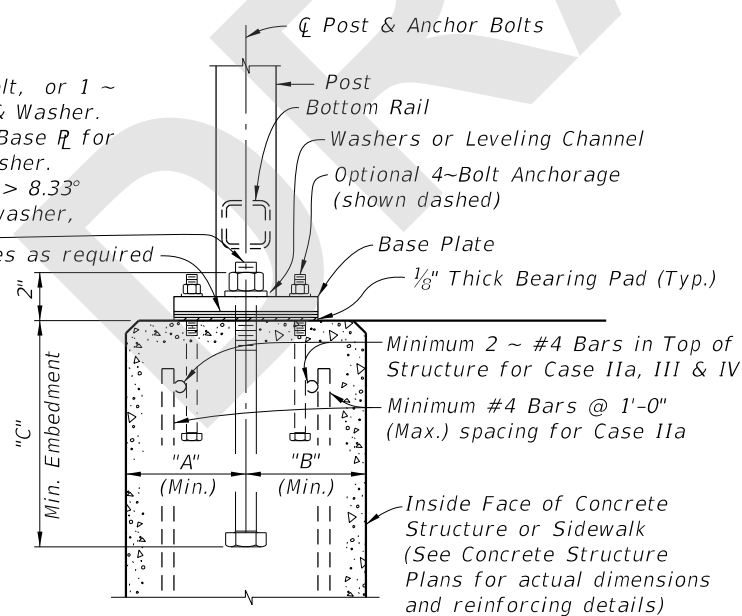
TYPICAL SECTION ON STEPS & STAIRS (Case III)



TYPICAL SECTION FOR 4~BOLT ANCHORAGE (Case IV)



DETAIL "D" (OPTIONAL SHIMMING DETAIL FOR CROSS SLOPE CORRECTION) (Used in lieu of Beveled Shim Plates)



DETAIL "C" (Cast-In-Place Anchor Bolts shown, Adhesive Anchors similar)

ANCHOR BOLT TABLE							
CASE	STRUCTURE TYPE	DIMENSIONS			ANCHOR LENGTH		ANCHOR SIZE
		A Edge Dist.	B Edge Dist.	C Embedment	C-I-P Hex Head Bolt	Adhesive Anchor	
I	Unreinforced Concrete	6"	1'-2"	6"	7 1/2"	8"	7/8" Ø
IIa	Reinforced Concrete	4"	4"	9"	10 1/2"	11"	7/8" Ø
IIb	Gravity Wall Index 400-011	4 1/2"	3 1/2" @ top	9"	10 1/2"	11"	7/8" Ø
III	Step Cheekwall	4 1/2"	4 1/2"	9"	10 1/2"	11"	7/8" Ø
IV	Varies	5"	5"	5"	6 1/2"	7"	7/16" Ø

** When required; measured from top of sidewalk.

SDATES

LAST REVISION 11/01/20	DESCRIPTION:
---------------------------	--------------



FY 2021-22
STANDARD PLANS

PEDESTRIAN/BICYCLE RAILING (STEEL)

INDEX
515-052

SHEET
8 of 8