
ORIGINATION FORM

Proposed Revisions to a Standard Plans Index
(Please provide all information — Incomplete forms will be returned)

Contact Information:

Date: September 22, 2021
Originator: Cheryl Hudson
Phone: (850) 414-5332
Email: cheryl.hudson@dot.state.fl.us

Standard Plans:

Index Number: 455-003
Sheet Number (s): 1
Index Title: Square Prestressed Concrete Piles-EDC
Instrumentation

Summary of the changes:

Deleted notes 3 & 4, and changed reference.

Commentary / Background:

Discussion since the Interim was posted decision that the notes were not appropriate for the Standard, so the reference is now to see the plans for requirements.

Other Affected Offices / Documents: (Provide name of person contacted)

Yes	No	
<input type="checkbox"/>	<input type="checkbox"/>	Other Standard Plans –
<input type="checkbox"/>	<input type="checkbox"/>	FDOT Design Manual –
<input type="checkbox"/>	<input type="checkbox"/>	Basis of Estimates Manual –
<input type="checkbox"/>	<input type="checkbox"/>	Standard Specifications –
<input type="checkbox"/>	<input type="checkbox"/>	Approved Product List –
<input type="checkbox"/>	<input type="checkbox"/>	Construction –
<input type="checkbox"/>	<input type="checkbox"/>	Maintenance –

Origination Package Includes:

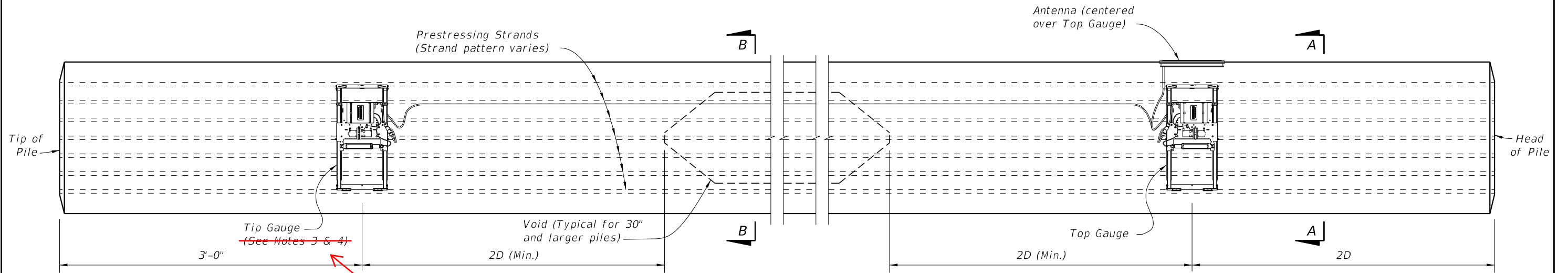
(Email or hand deliver package to Rick Jenkins)

Yes	N/A	
<input checked="" type="checkbox"/>	<input type="checkbox"/>	Redline Mark-ups
<input type="checkbox"/>	<input type="checkbox"/>	Proposed Standard Plan Instruction (SPI)
<input type="checkbox"/>	<input type="checkbox"/>	Revised SPI
<input type="checkbox"/>	<input type="checkbox"/>	Other Support Documents

Implementation:

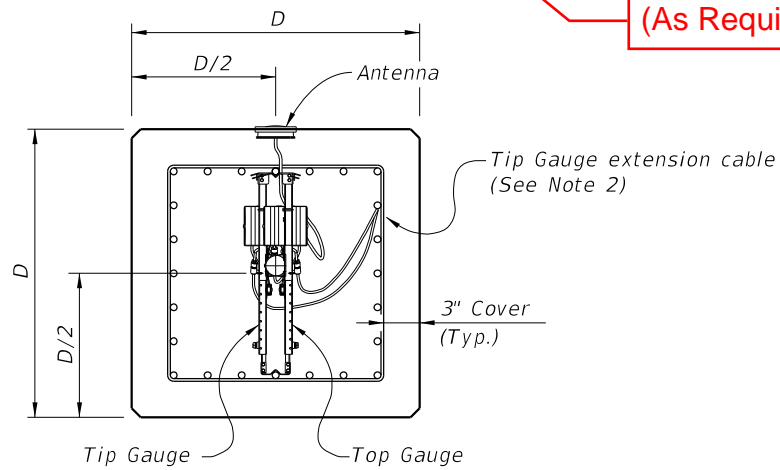
Design Bulletin (Interim)
 DCE Memo
 Program Mgmt. Bulletin
 FY-Standard Plans (Next Release)

Contact the Roadway Design Office for assistance in completing this form

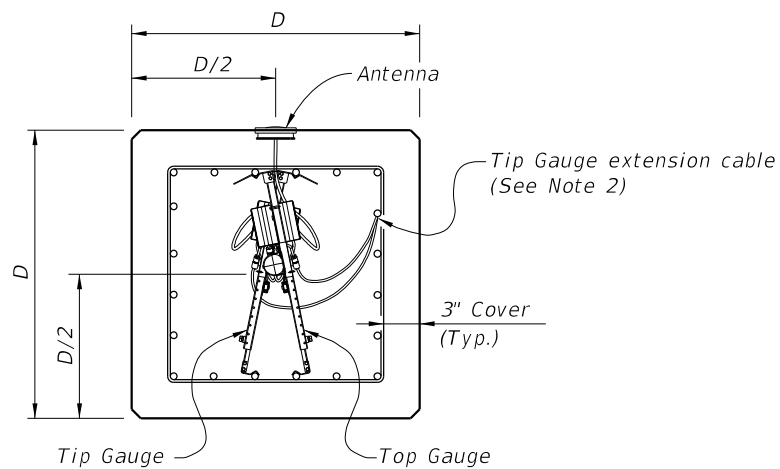


(As Required in Plans)

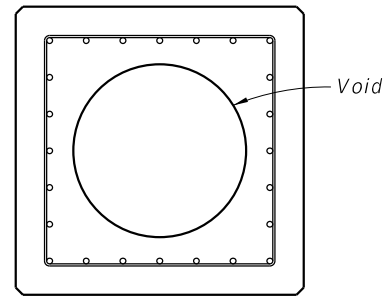
ELEVATION



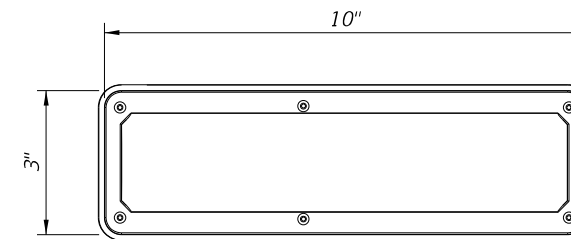
SECTION A-A
(Strand Pattern with odd number of strands per face)



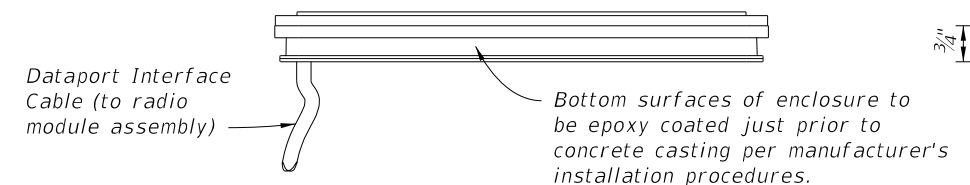
SECTION A-A
(Strand Pattern with even number of strands per face)



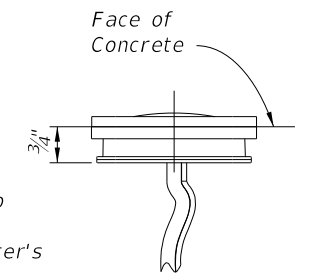
SECTION B-B
(Showing Voided Pile,
Solid Pile Similar)



ANTENNA TOP VIEW



ANTENNA SIDE VIEW



ANTENNA END VIEW

NOTES:

1. For piles 18" and larger installed for bridge foundations, provide EDC Instrumentation in accordance with Specification Section 455.
2. Attach Tip Gauge extension cable to the underside of the strand shown in Section A-A. Secure cable to strand with nylon wire ties spaced a maximum of 6ft. along cable.
- ~~3. Tip Gauge required in all EDC test piles.~~
- ~~4. Tip Gauge required in at least 10% of EDC Piles in all Bents and Footings.~~

SDATES

11/01/20

LAST REVISION	DESCRIPTION:
04/08/20	1. Added Notes 3 & 4

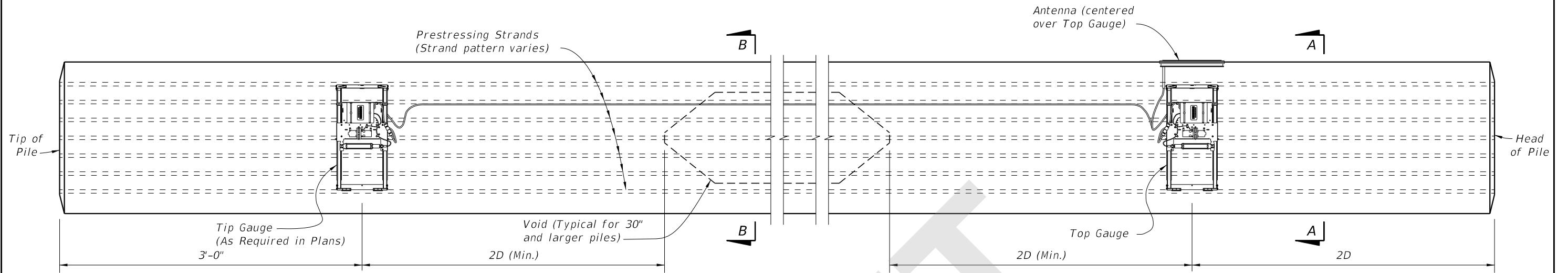


FY 2020-21
STANDARD PLANS

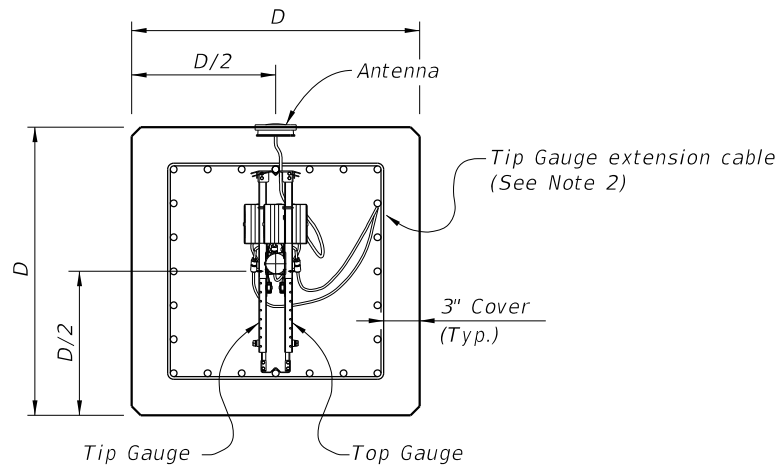
SQUARE PRESTRESSED CONCRETE PILES -
EDC INSTRUMENTATION

INDEX
IR455-003

SHEET
1 of 1

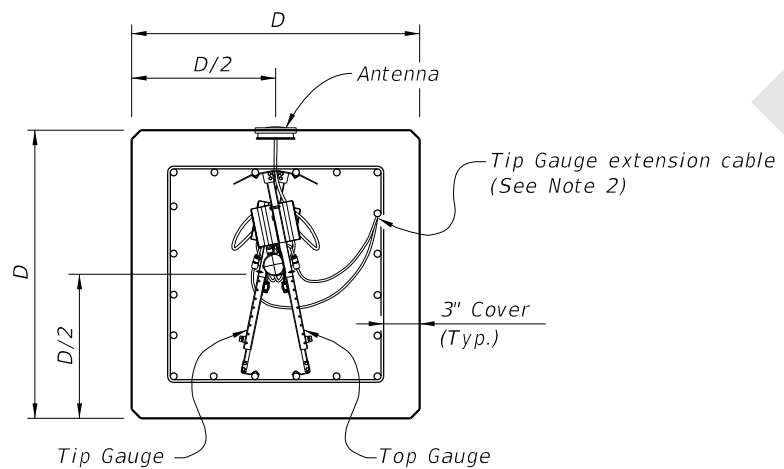


ELEVATION



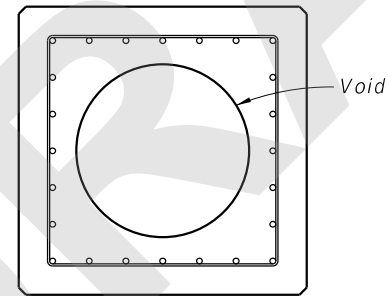
SECTION A-A

(Strand Pattern with odd number of strands per face)

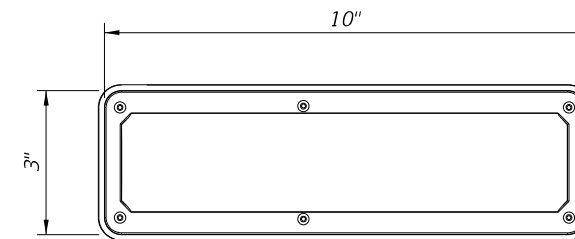


SECTION A-A

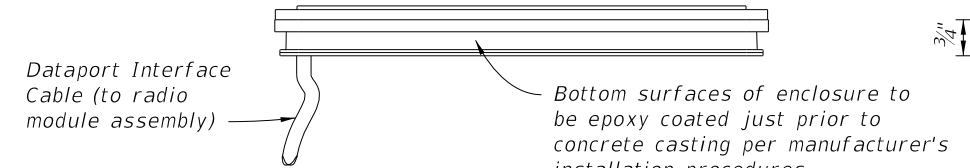
(Strand Pattern with even number of strands per face)



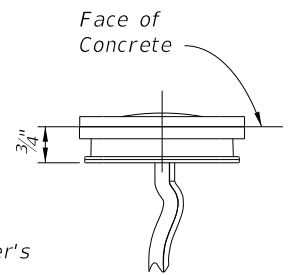
SECTION B-B
(Showing Voided Pile,
Solid Pile Similar)



ANTENNA TOP VIEW



ANTENNA SIDE VIEW



ANTENNA END VIEW

NOTES:

1. For piles 18" and larger installed for bridge foundations, provide EDC Instrumentation in accordance with Specification Section 455.
2. Attach Tip Gauge extension cable to the underside of the strand shown in Section A-A. Secure cable to strand with nylon wire ties spaced a maximum of 6ft. along cable.

SDATES STIMES

LAST REVISION 11/01/20	REVISION	DESCRIPTION:		FY 2021-22 STANDARD PLANS	SQUARE PRESTRESSED CONCRETE PILES - EDC INSTRUMENTATION	INDEX 455-003	SHEET 1 of 1
---------------------------	----------	--------------	--	------------------------------	--	------------------	-----------------