
ORIGINATION FORM

Proposed Revisions to a Standard Plans Index
(Please provide all information — Incomplete forms will be returned)

Contact Information:

Date: May 5, 2020

Originator: Cheryl Hudson

Phone: 414-5332

Email: cheryl.hudson@dot.state.fl.us

Standard Plans:

Index Number: 450-511

Sheet Number (s): Sheet 2

Index Title: Bearing Plates (Type 1) -Prestressed Florida-I and
AASHTO Type II Beams



Summary of the changes:

Delete dimension H (replace with number).

Commentary / Background:

H as shown is a hard dimension that does not change; therefore change it to 1 1/2".



Other Affected Offices / Documents: (Provide name of person contacted)

Yes	No	
<input type="checkbox"/>	<input checked="" type="checkbox"/>	Other Standard Plans –
<input type="checkbox"/>	<input checked="" type="checkbox"/>	FDOT Design Manual –
<input type="checkbox"/>	<input checked="" type="checkbox"/>	Basis of Estimates Manual – Change from DEV
<input type="checkbox"/>	<input checked="" type="checkbox"/>	Standard Specifications – Specification 450 update
<input type="checkbox"/>	<input checked="" type="checkbox"/>	Approved Product List –
<input type="checkbox"/>	<input checked="" type="checkbox"/>	Construction –
<input type="checkbox"/>	<input checked="" type="checkbox"/>	Maintenance –

Origination Package Includes:

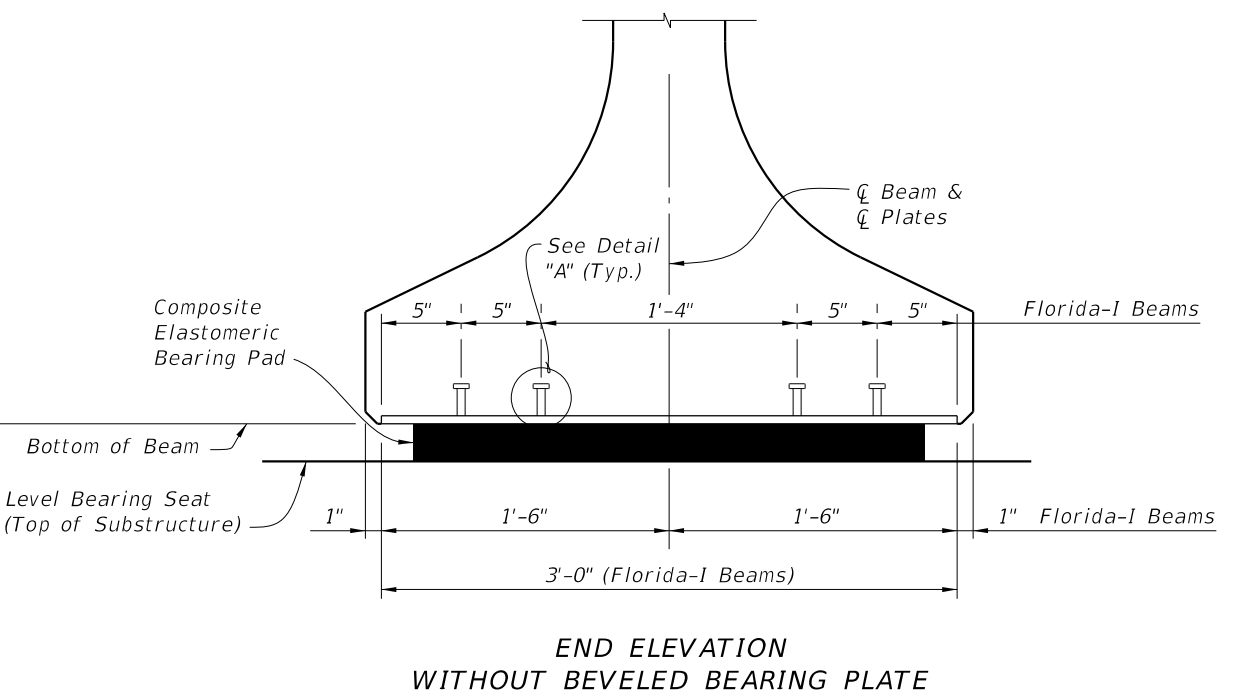
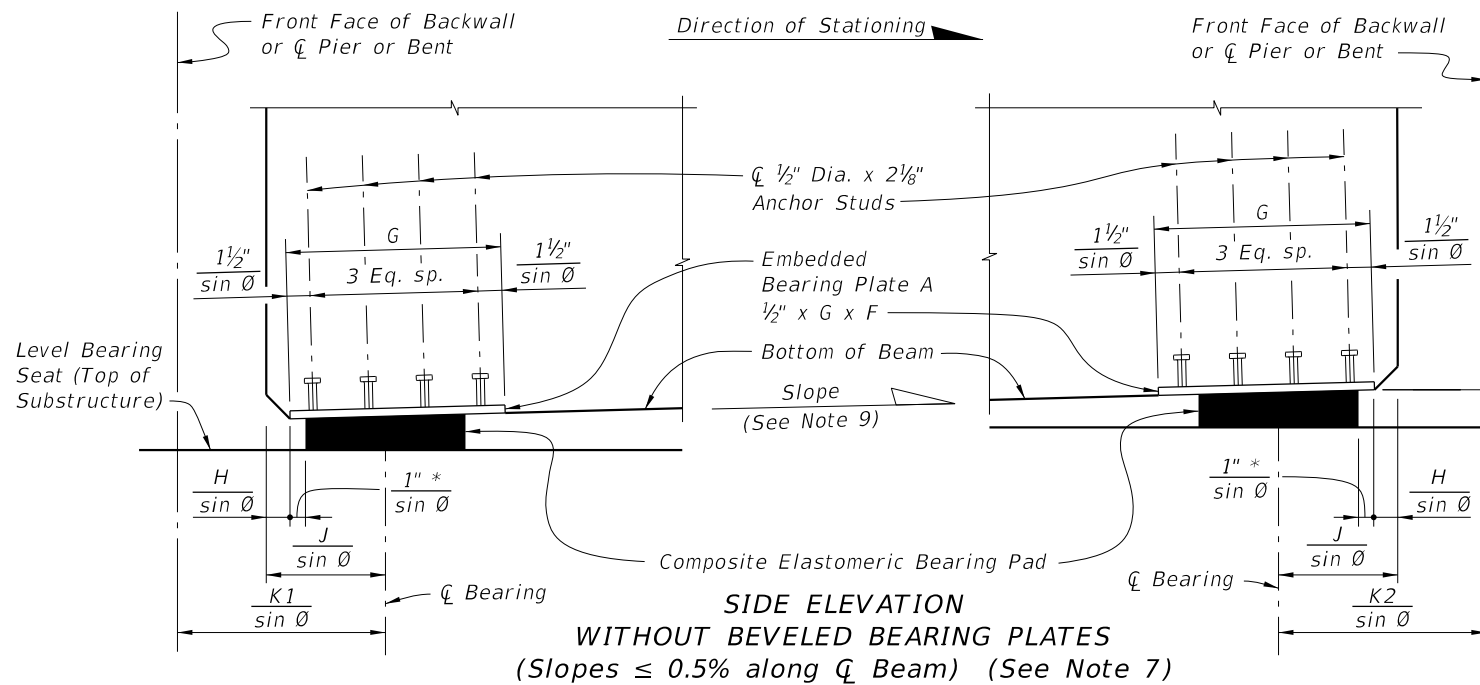
(Email or hand deliver package to Rick Jenkins)

Yes	N/A	
<input type="checkbox"/>	<input checked="" type="checkbox"/>	Redline Mark-ups
<input type="checkbox"/>	<input checked="" type="checkbox"/>	Proposed Standard Plan Instruction (SPI)
<input type="checkbox"/>	<input checked="" type="checkbox"/>	Revised SPI
<input type="checkbox"/>	<input checked="" type="checkbox"/>	Other Support Documents

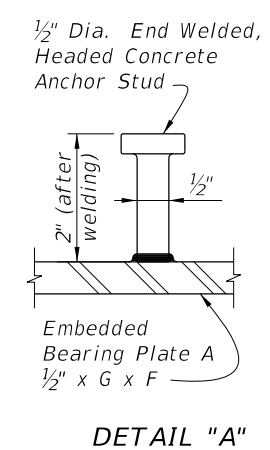
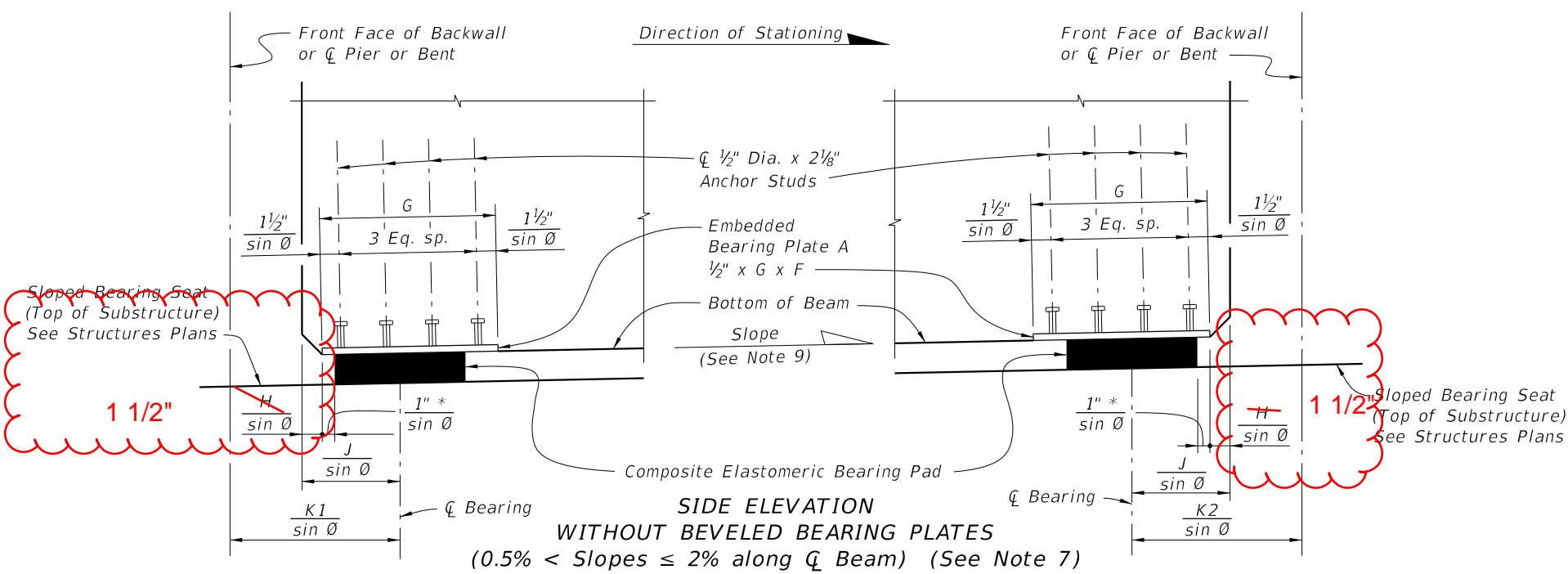
Implementation:

- Design Bulletin (Interim)
- DCE Memo
- Program Mgmt. Bulletin
- FY-Standard Plans (Next Release)

Contact the Roadway Design Office for assistance in completing this form



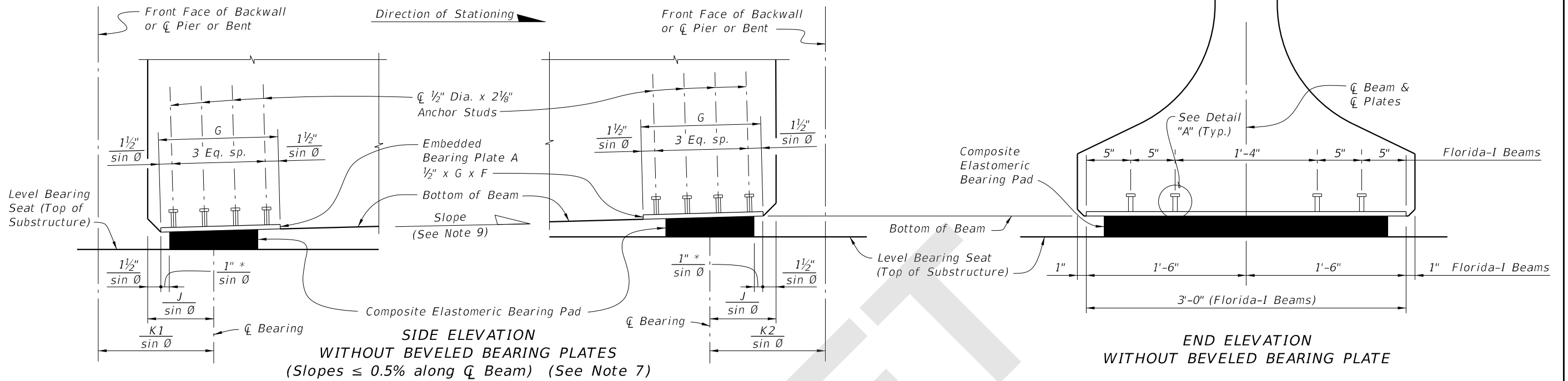
* 1/2" Pad Type K



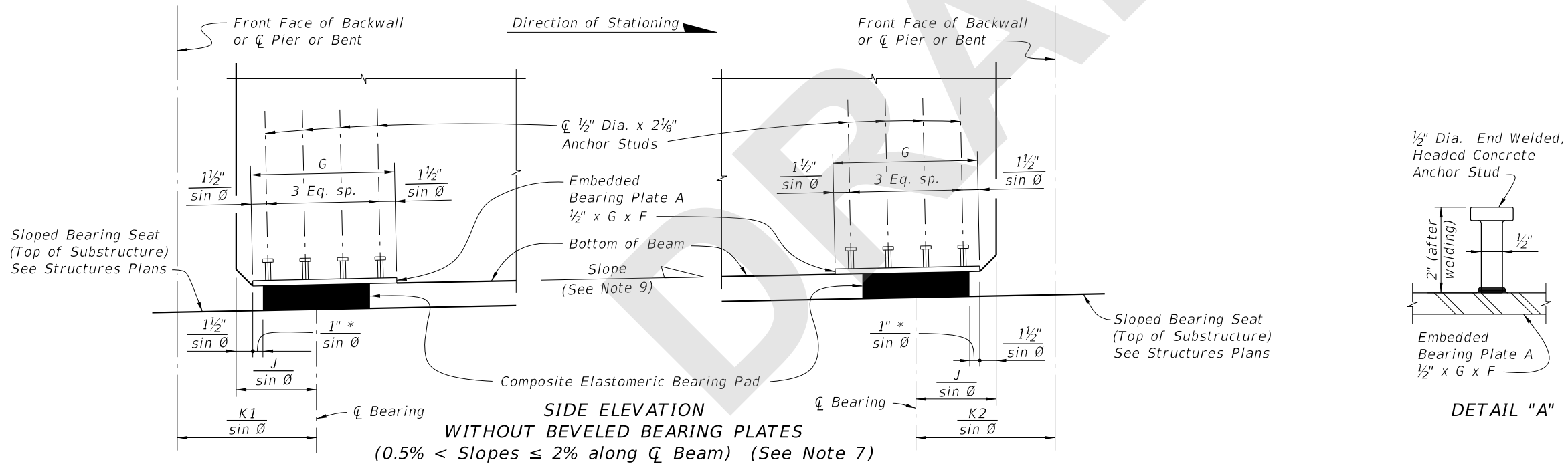
CROSS REFERENCE:
See Sheet 1 for ~~dimension H~~ and Notes.

10/14/2019 3:57:15 PM

LAST REVISION 07/01/14	REVISION	DESCRIPTION:		FY 2020-21 STANDARD PLANS	BEARING PLATES (TYPE 1) - PRESTRESSED FLORIDA-I AND AASHTO TYPE II BEAMS	INDEX 450-511	SHEET 2 of 2
---------------------------	----------	--------------	--	------------------------------	---	------------------	-----------------



* $\frac{1}{2}$ " Pad Type K



CROSS REFERENCE:
See Sheet 1 for Notes.

SDATES

LAST REVISION	DESCRIPTION:
11/01/20	



FY 2021-22
STANDARD PLANS

BEARING PLATES (TYPE 1) - PRESTRESSED
FLORIDA-I AND AASHTO TYPE II BEAMS

INDEX
450-511

SHEET
2 of 2