
ORIGINATION FORM

Proposed Revisions to a Standard Plans Index
(Please provide all information — Incomplete forms will be returned)

Contact Information:

Date: January 14, 2020

Originator: Cheryl Hudson

Phone: 414-5332

Email: cheryl.hudson@dot.state.fl.us

Standard Plans:

Index Number: 450-452

Sheet Number (s): ALL

Index Title: 15" Florida Slab Beam

Summary of the changes:

NEW Index

Commentary / Background:

Changing from Developmental SP to SP

Other Affected Offices / Documents: (Provide name of person contacted)

- | Yes | No | |
|-------------------------------------|-------------------------------------|----------------------------------------------------|
| <input type="checkbox"/> | <input checked="" type="checkbox"/> | Other Standard Plans – |
| <input type="checkbox"/> | <input checked="" type="checkbox"/> | FDOT Design Manual – |
| <input checked="" type="checkbox"/> | <input type="checkbox"/> | Basis of Estimates Manual – Change from DEV |
| <input checked="" type="checkbox"/> | <input type="checkbox"/> | Standard Specifications – Specification 450 update |
| <input type="checkbox"/> | <input checked="" type="checkbox"/> | Approved Product List – |
| <input type="checkbox"/> | <input checked="" type="checkbox"/> | Construction – |
| <input type="checkbox"/> | <input checked="" type="checkbox"/> | Maintenance – |

Origination Package Includes:

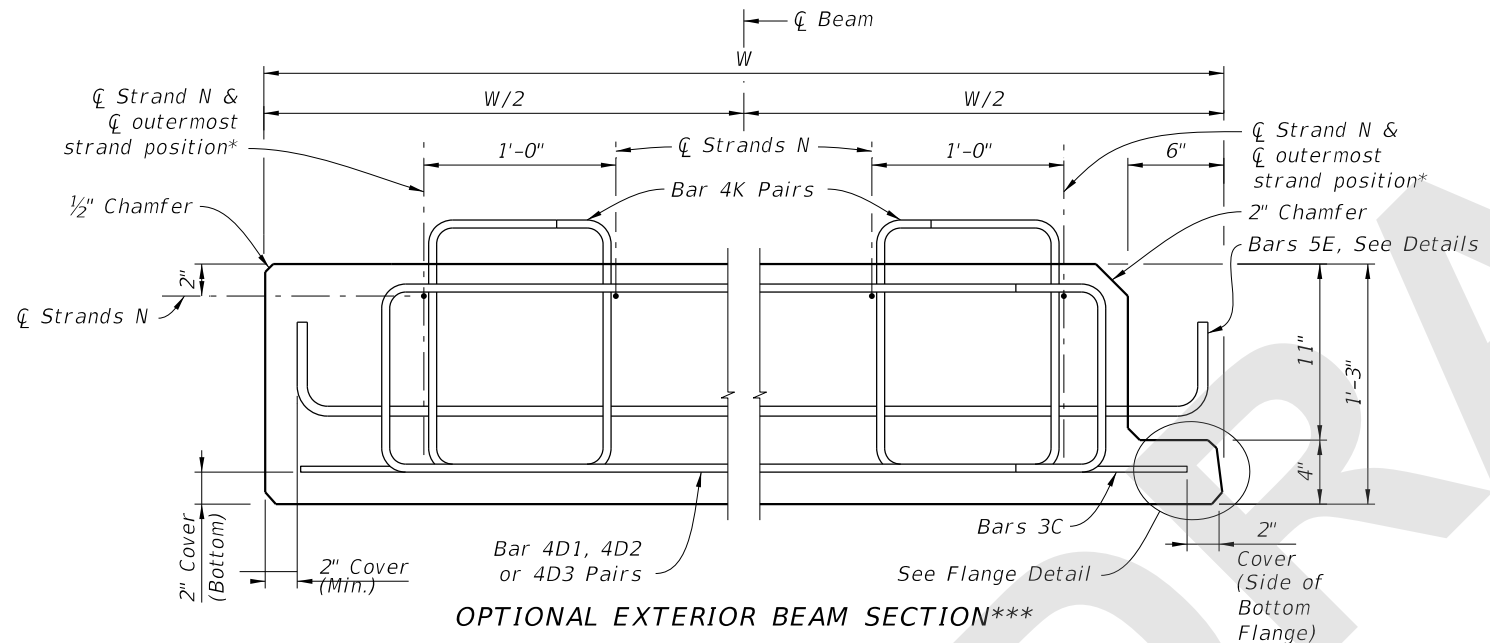
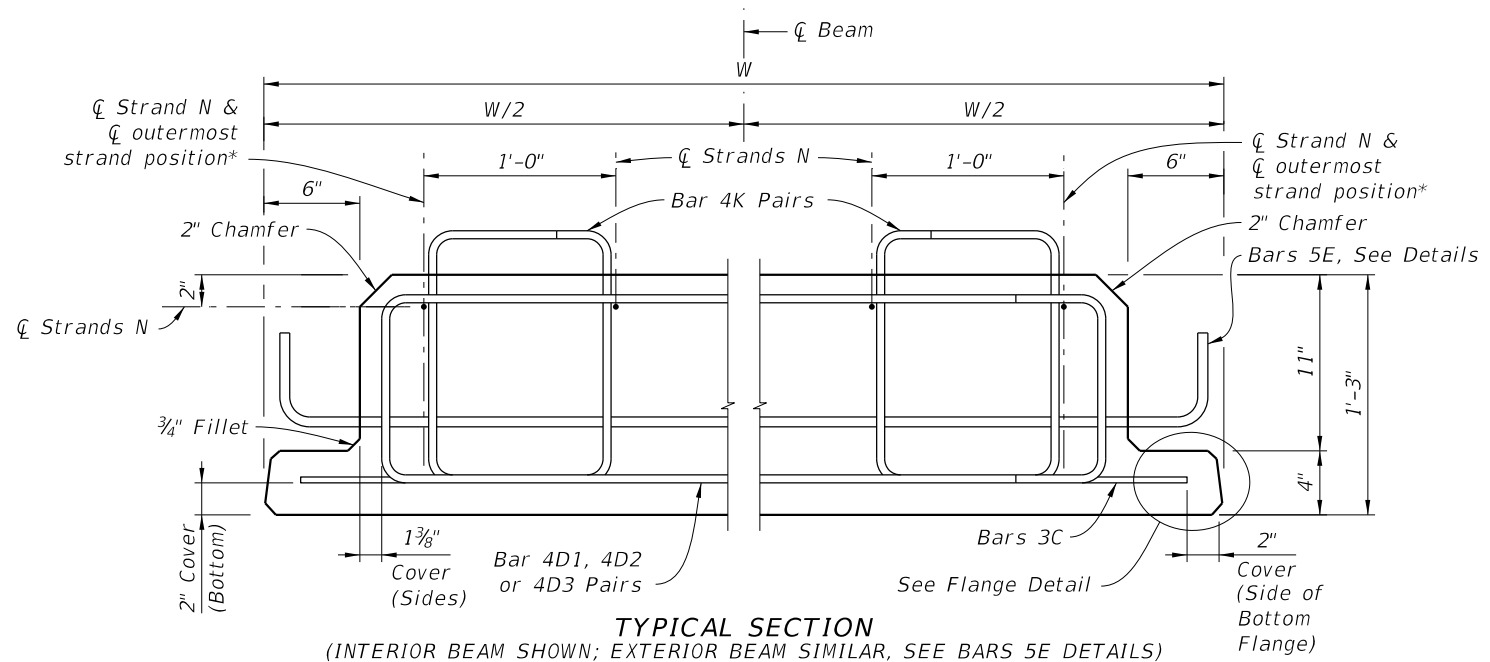
(Email or hand deliver package to Rick Jenkins)

- | Yes | N/A | |
|--------------------------|-------------------------------------|------------------------------------------|
| <input type="checkbox"/> | <input checked="" type="checkbox"/> | Redline Mark-ups |
| <input type="checkbox"/> | <input checked="" type="checkbox"/> | Proposed Standard Plan Instruction (SPI) |
| <input type="checkbox"/> | <input checked="" type="checkbox"/> | Revised SPI |
| <input type="checkbox"/> | <input checked="" type="checkbox"/> | Other Support Documents |

Implementation:

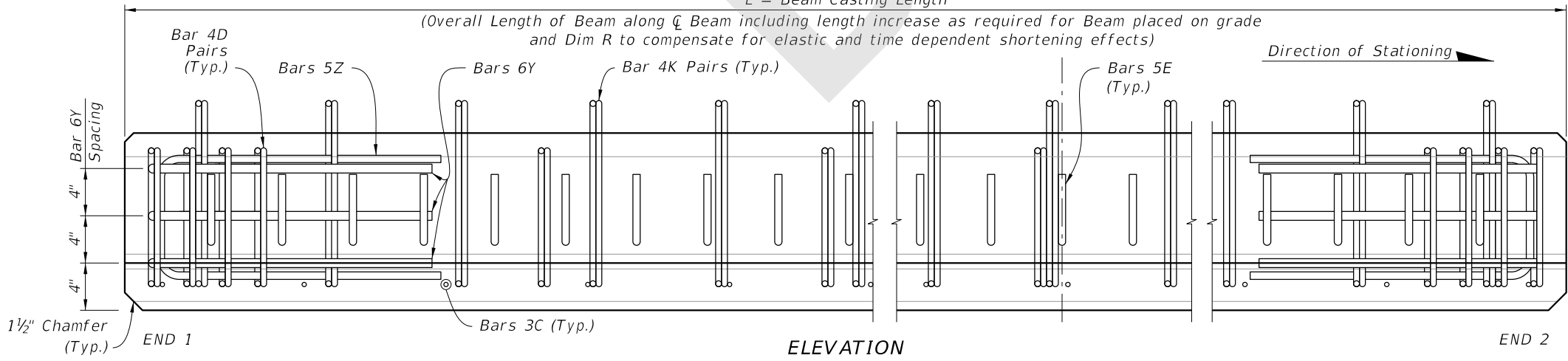
- Design Bulletin (Interim)
- DCE Memo
- Program Mgmt. Bulletin
- FY-Standard Plans (Next Release)

Contact the Roadway Design Office for assistance in completing this form



*** At the Contractor's option, the Optional Exterior Beam Section may be used.

L = Beam Casting Length



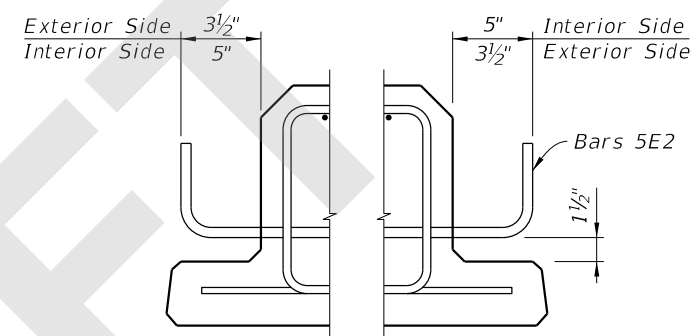
NOTES:
Work this Index with Index 450-450 and Florida Slab Beams - Table of Variables in Structures Plans.

For Dimensions C, D, E, L, R, W & Y and Angle θ , see Florida Slab Beam - Table of Variables in Structures Plans.

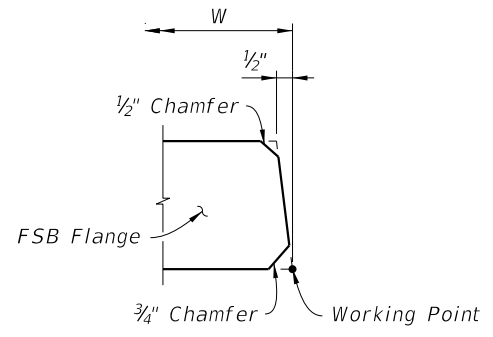
For referenced notes, see Index 450-450, Sheet 1.

* For ϕ of outermost strand positions, see corresponding Strand Pattern on Florida Slab Beams - Table of Variables in Structures Plans.

** At the Contractor's option, the Detail as shown for Interior Beams may be used for Exterior Beams and the Bars 5E field bent on the exterior side of the Beam to provide the specified cover to the coping line.



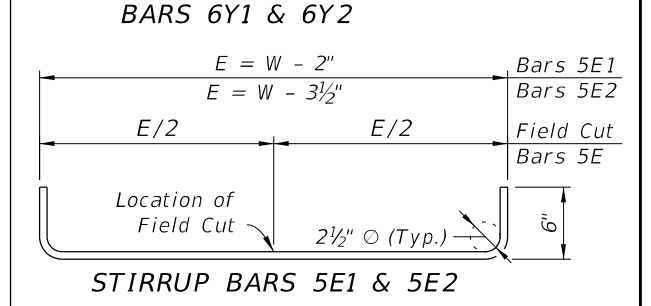
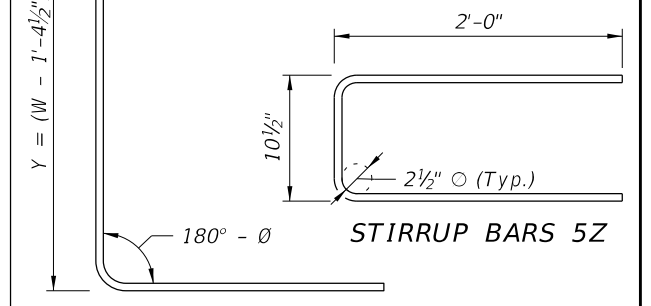
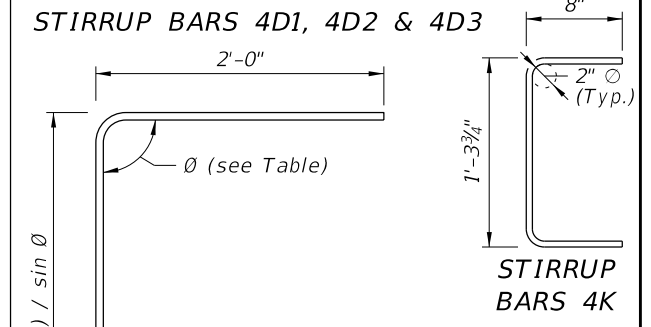
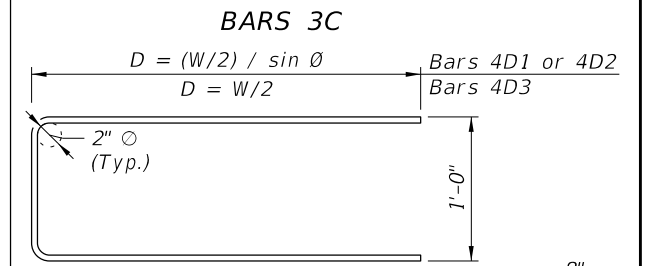
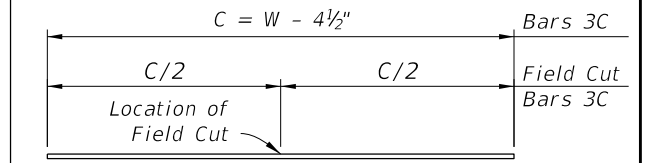
EXTERIOR BEAMS**
BARS 5E DETAIL



FLANGE DETAIL
(TYPICAL BOTH SIDES OF FSB)

BILL OF REINFORCING STEEL FOR ONE BEAM ONLY				
MARK	SIZE	NOTE NUMBERS	NUMBER REQUIRED	LENGTH (NOTE 1)
C	3		See Table	Varies
D1	4	6	10 (End 1)	Varies
D2	4	6	10 (End 2)	Varies
D3	4		See Table	Varies
E1	5	7	See Table	Varies
E2	5	7	See Table	Varies
K	4		See Table	2'-8"
N	See Note 3	3	4	Varies
Y1	6	6	3 (End 1)	Varies
Y2	6	6	3 (End 2)	Varies
Z	5		6	4'-10 1/2"

BENDING DIAGRAMS (See Note 1)



SDATES

LAST REVISION 11/01/20	DESCRIPTION:
---------------------------	--------------