
ORIGINATION FORM

Proposed Revisions to a Standard Plans Index (Please provide all information — Incomplete forms will be returned)

Contact Information:

Date: November 1, 2019

Originator: Rick Jenkins

Phone: (850) 414-4355

Email: Rick.Jenkins@dot.state.fl.us

Standard Plans:

Index Number: 425-061

Sheet Number (s): ALL

Index Title: Closed Flume Inlet

Summary of the changes:

Reorganized Index, Added additional Sheets.

Sheet 1: General Notes

Sheet 2: Type I Dimensional Details

Sheet 3: Reinforcement Details

Sheet 4: Type II Dimensional Details

Sheet 5: Multiple Barrel Flume Details

Commentary / Background:

Reorganized Details and Sheets to declutter Index. Moved information from detail callouts to Notes in order to decrease clutter of the drawing. Moved design information to SPI.

Other Affected Offices / Documents: (Provide name of person contacted)

Yes	No	
<input type="checkbox"/>	<input type="checkbox"/>	Other Standard Plans –
<input type="checkbox"/>	<input type="checkbox"/>	FDOT Design Manual –
<input type="checkbox"/>	<input type="checkbox"/>	Basis of Estimates Manual –
<input type="checkbox"/>	<input type="checkbox"/>	Standard Specifications –
<input type="checkbox"/>	<input type="checkbox"/>	Approved Product List –
<input type="checkbox"/>	<input type="checkbox"/>	Construction –
<input type="checkbox"/>	<input type="checkbox"/>	Maintenance –

Origination Package Includes:

(Email or hand deliver package to Rick Jenkins)

Yes	N/A	
<input checked="" type="checkbox"/>	<input type="checkbox"/>	Redline Mark-ups
<input type="checkbox"/>	<input type="checkbox"/>	Proposed Standard Plan Instruction (SPI)
<input type="checkbox"/>	<input type="checkbox"/>	Revised SPI
<input type="checkbox"/>	<input type="checkbox"/>	Other Support Documents

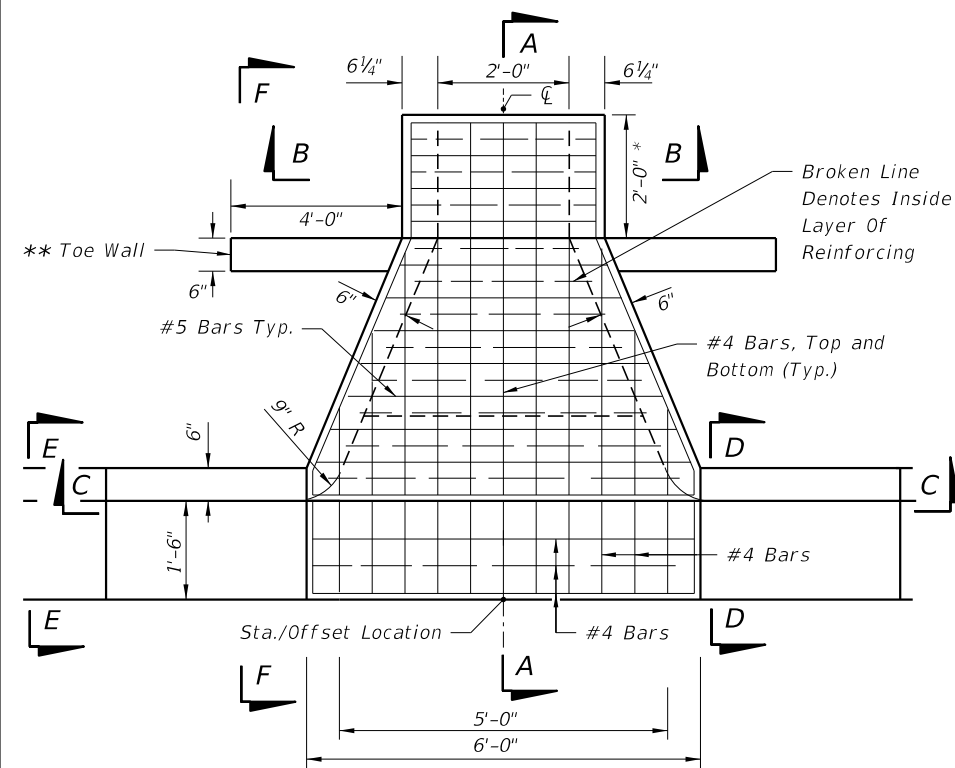
Implementation:

- Design Bulletin (Interim)
- DCE Memo
- Program Mgmt. Bulletin
- FY-Standard Plans (Next Release)

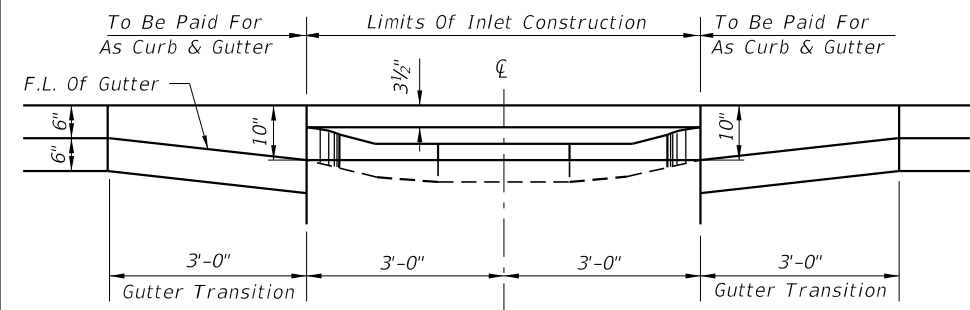
Contact the Roadway Design Office for assistance in completing this form

NEW SHEET

ADDED GENERAL NOTES AND OVERVIEW

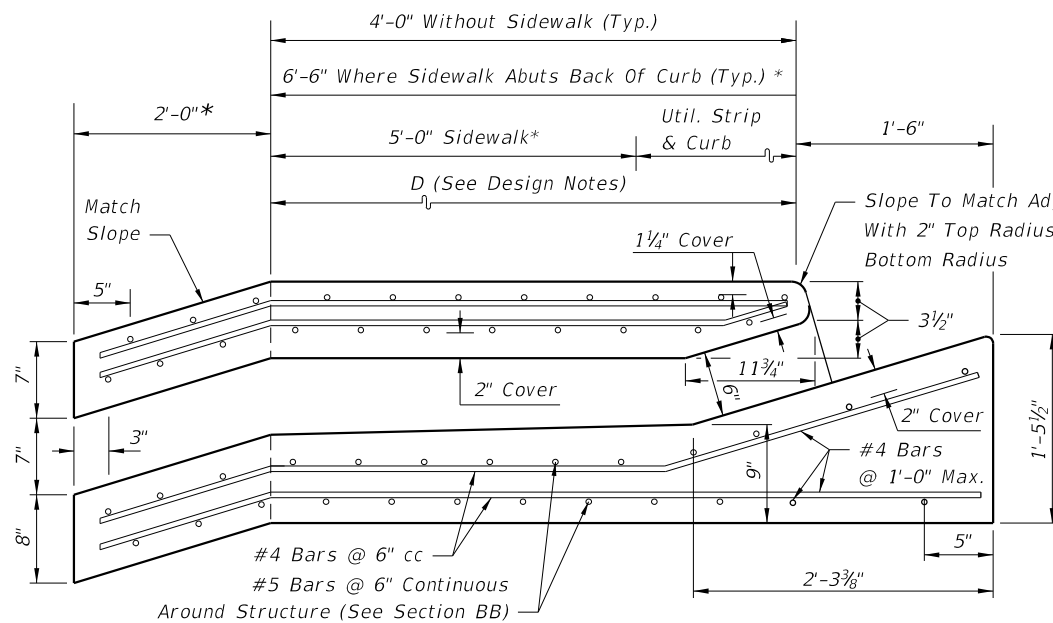


TOP VIEW



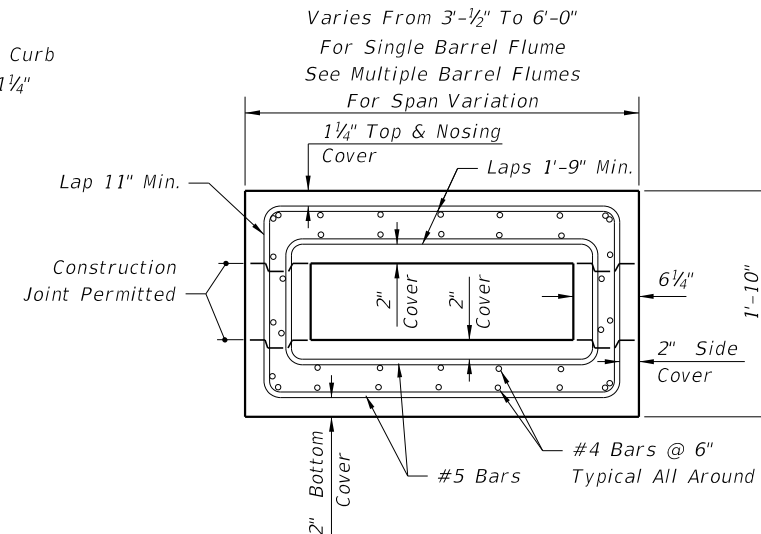
SECTION CC

SPLIT IN TO DIMENSIONAL AND REINFORCING DETAILS

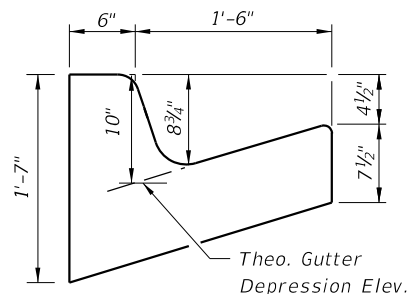


SECTION AA

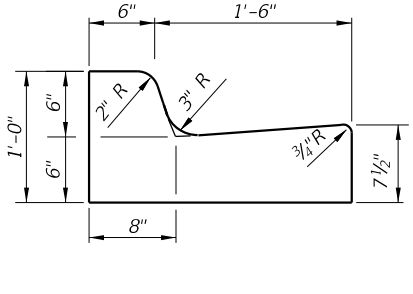
* Sloped Section to be used w/sidewalk applications only.
 ** Toe Walls as depicted to be used with sidewalk application only. For endwall without sidewalk see detail on Sheet 2.



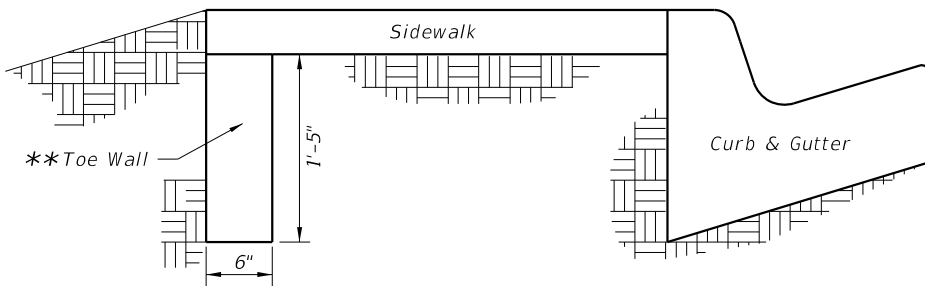
SECTION BB



SECTION DD



SECTION EE
(Curb And Gutter Type F)



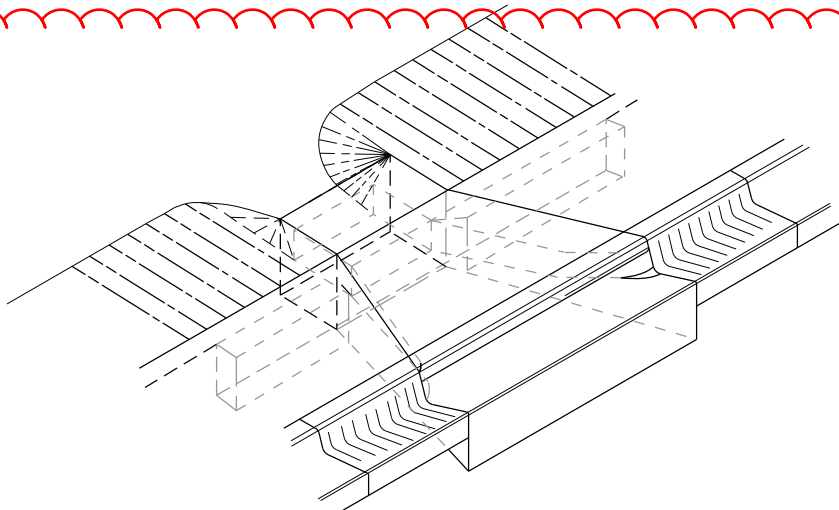
SECTION FF

DESIGN NOTES

1. These inlets are designed for use with Type F curb and gutter only. Locate inlet outside of curb ramp area.
 The Single Barrel Flume is intended for locations with light to moderate flows. Multiple Barrel Flumes must be selected to meet design heavy flows.
2. Designer must specify Flume Type, "D" dimension, number of barrels and guiderail requirements in plans.
3. Designer must specify where energy dissipating bricks are required.

SPI

MOVED TO SHEET 1



FLUME W/SIDEWALK INLET (CLOSED FLUME) TYPE I
 SINGLE BARREL FLUME DEPICTED

GENERAL NOTES

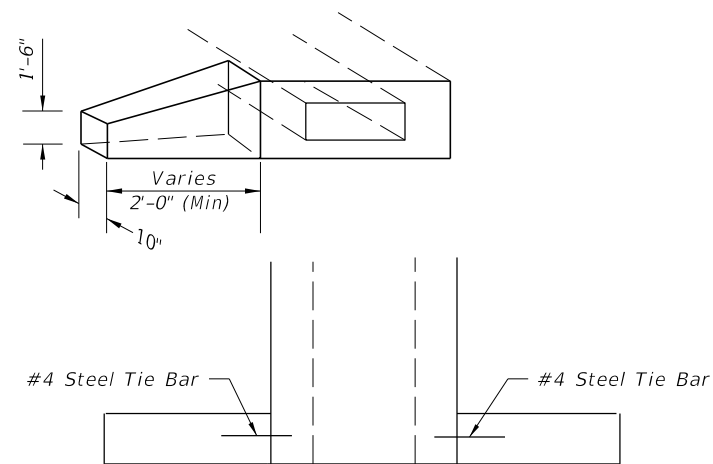
1. The finished grade and slope of the inlet top are to conform with the finished cross slope and grade of the proposed sidewalk and/or border.
2. When inlets are to be constructed on a curve, refer to the plans to determine the radius and, where necessary, modify the inlet details accordingly. Bend steel when necessary.
3. All steel shall have 2" minimum cover unless otherwise shown. Inlets can be either cast-in-place or precast concrete. Chamfer all exposed edges 3/4".
4. All reinforcement is ASTM A615/A615M Grade 60 steel, either smooth or deformed. Equivalent area grade 40 steel or 65 ksi welded wire fabric may be substituted.
5. Inlets to be paid for under the contract unit price for Inlets (Closed Flume) EA.

SPI/Spec

9/18/2018 2:54:28 PM

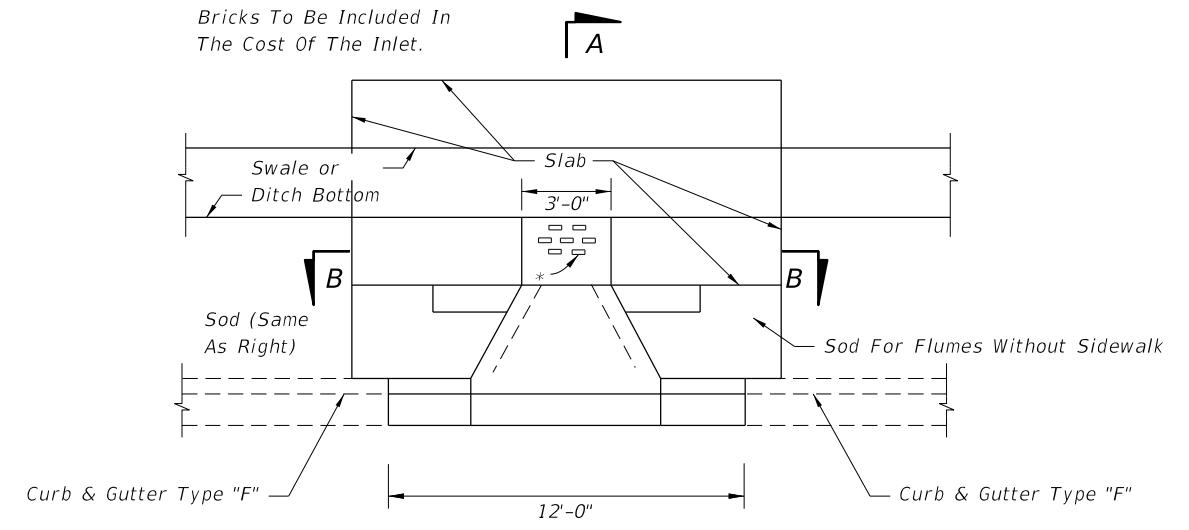
LAST REVISION 11/01/17	DESCRIPTION: 11/01/20	FDOT	FY 2019-20 STANDARD PLANS	CLOSED FLUME INLET	RENUMBERED	INDEX 425-061	SHEET 1 of 3
---------------------------	--------------------------	------	------------------------------	--------------------	------------	------------------	-----------------

NEW SHEET
REINFORCEMENT DETAILS

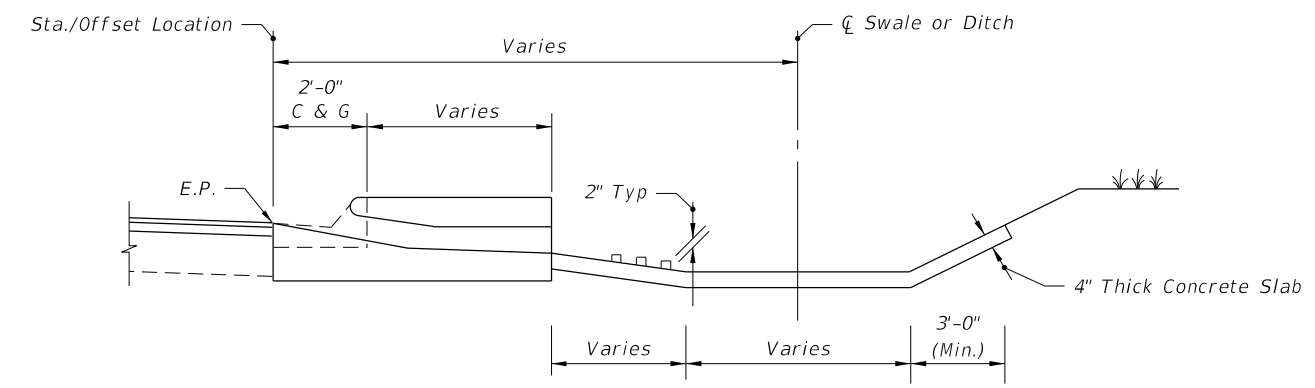


ENDWALL

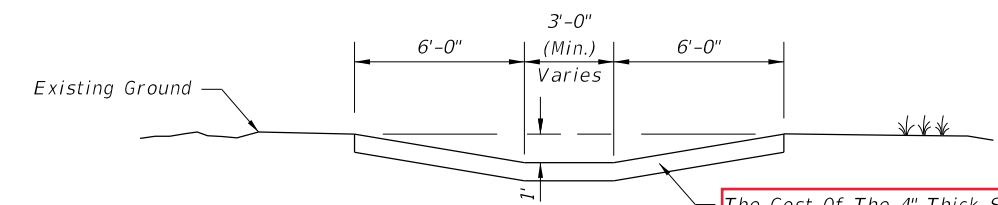
*Bricks to Dissipate Energy When Called For In Plans. Bricks To Be Included In The Cost Of The Inlet.



PLAN

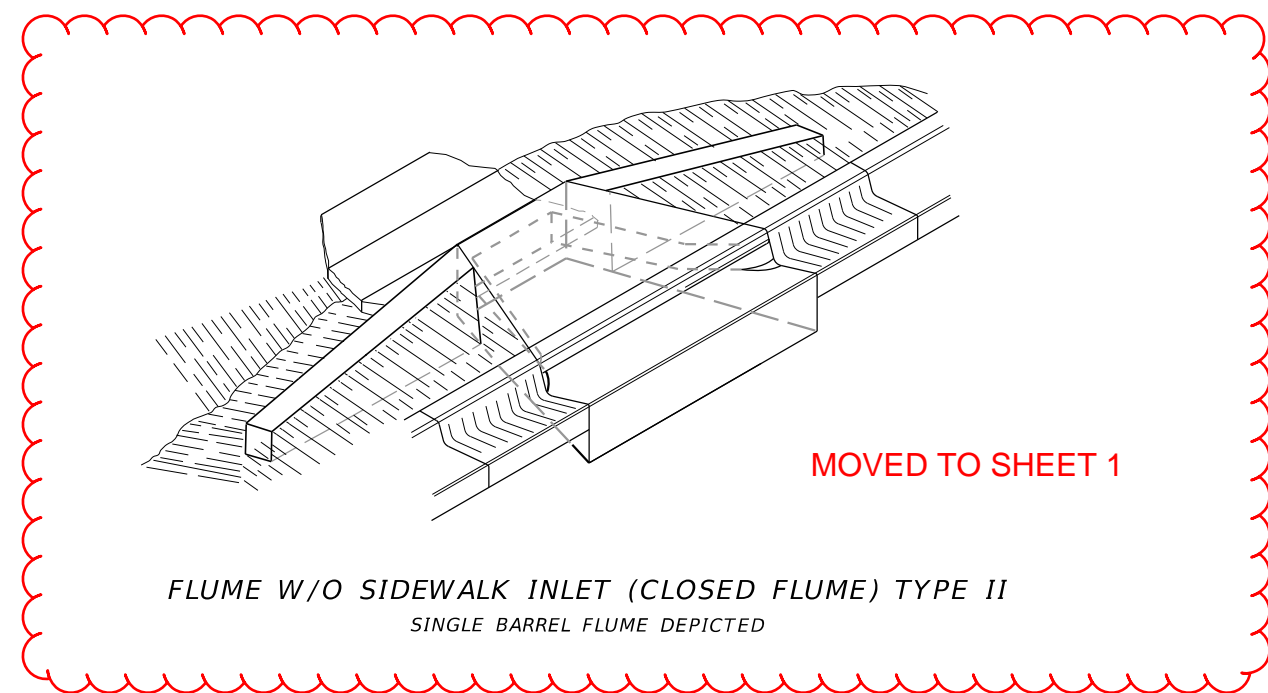


SECTION AA



SECTION BB

The Cost Of The 4" Thick Slab And The 6"x6" W2.5xW2.5 Min. Welded Wire Reinforcement In The Middle Of Slab To Be Included In The Cost Of The Inlet.
SPI/Spec



MOVED TO SHEET 1

FLUME W/O SIDEWALK INLET (CLOSED FLUME) TYPE II
SINGLE BARREL FLUME DEPICTED

RENUMBERED

11/01/20

9/18/2018 2:54:29 PM

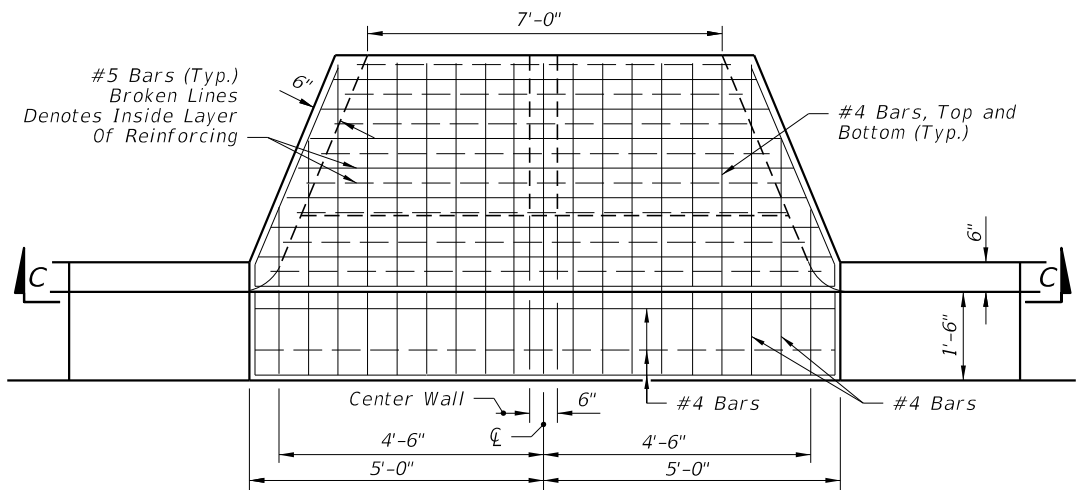
LAST REVISION	DESCRIPTION:
11/01/17	

FDOT
FY 2019-20
STANDARD PLANS

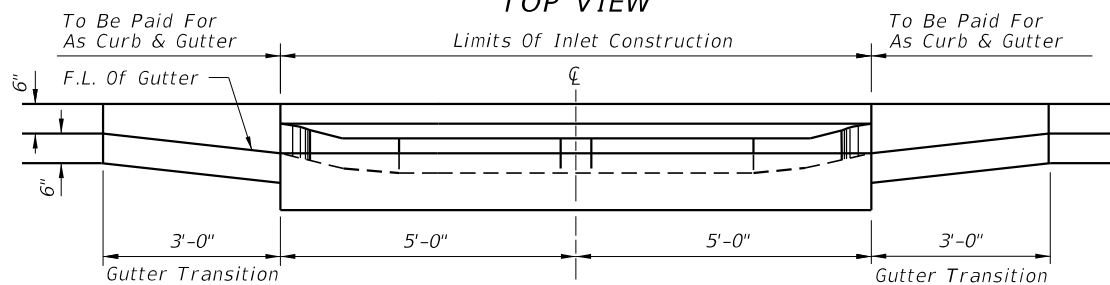
CLOSED FLUME INLET

INDEX
425-061

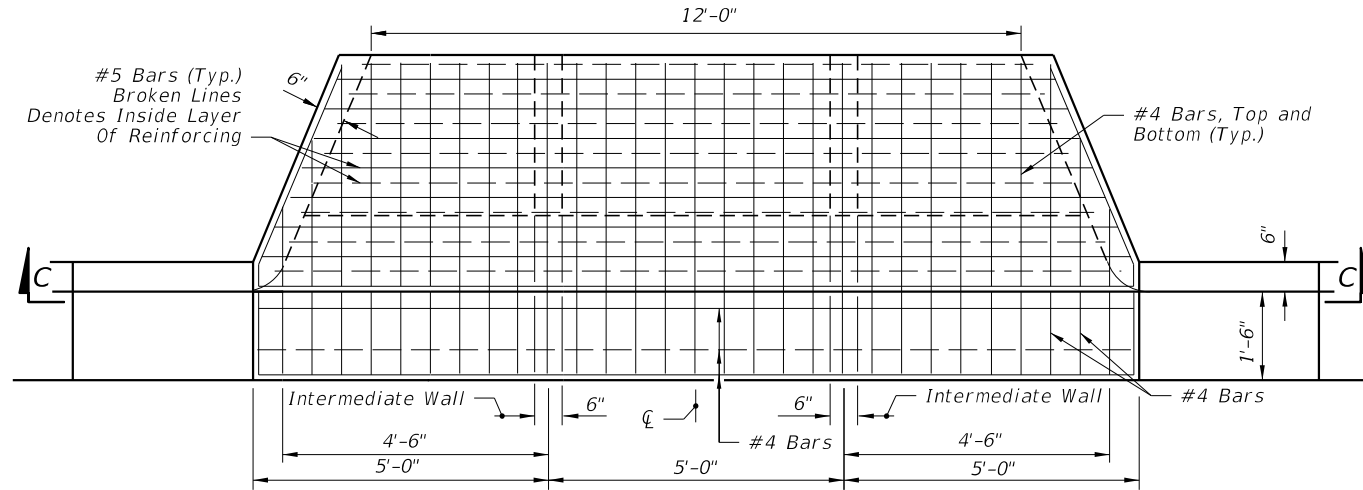
SHEET
~~2 of 3~~



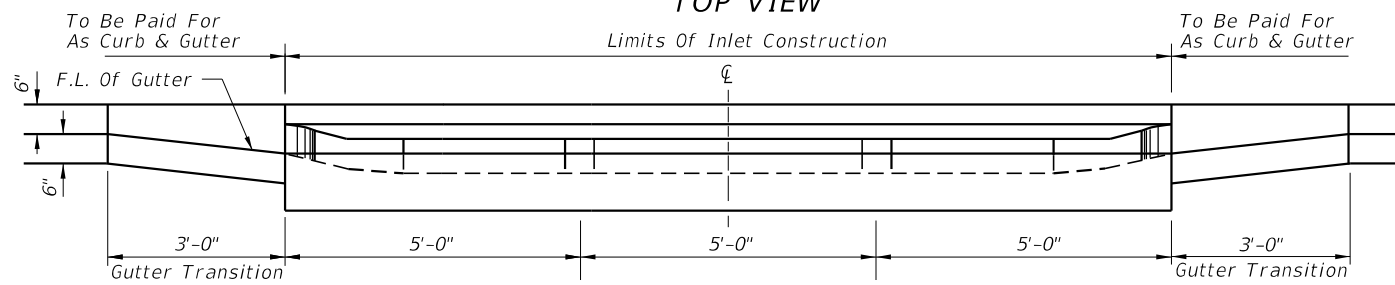
TOP VIEW



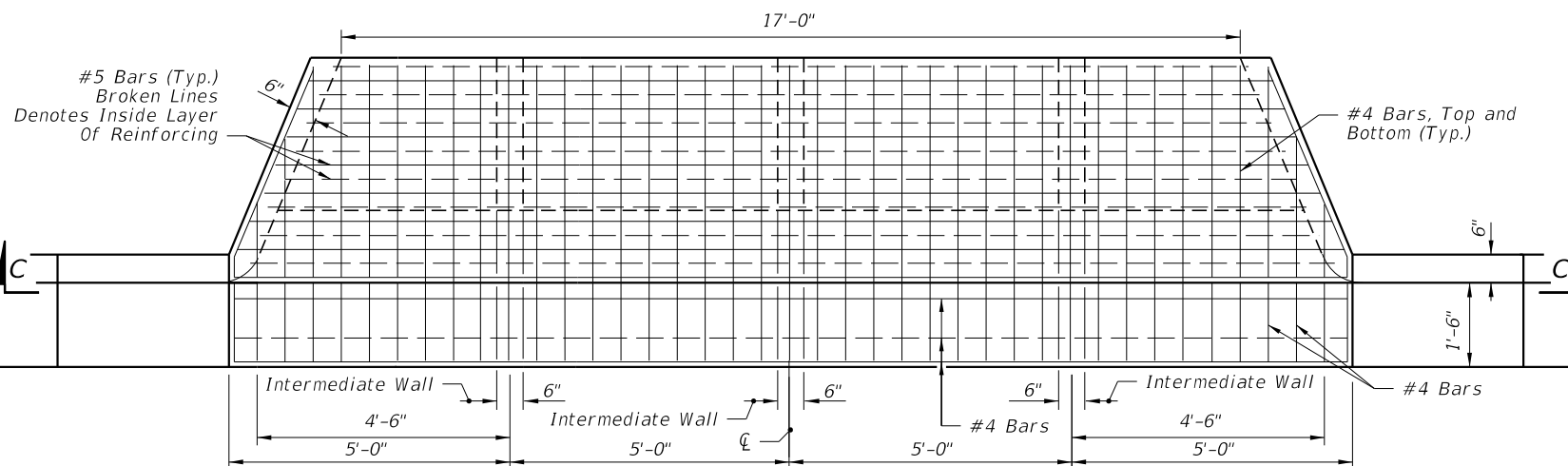
SECTION CC
DOUBLE BARREL FLUME



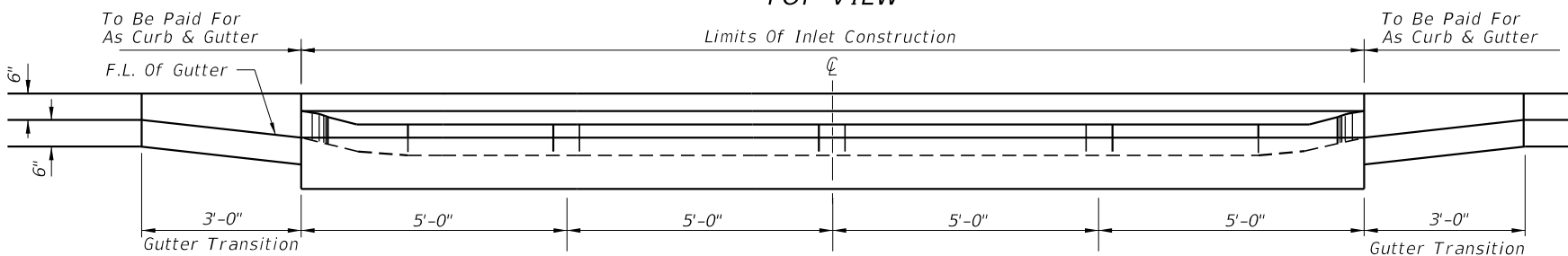
TOP VIEW



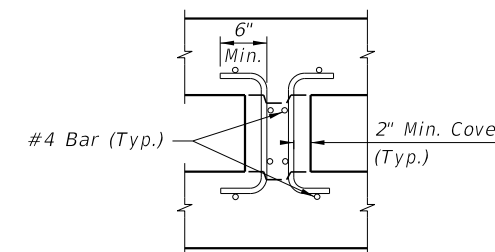
SECTION CC
TRIPLE BARREL FLUME



TOP VIEW



SECTION CC
QUADRUPLE BARREL FLUME



INTERMEDIATE-WALL REINFORCING

NOTE: See Barrel Flume For Base Dimensions.

RENUMBERED

9/18/2018 2:54:30 PM

LAST REVISION	DESCRIPTION:
11/01/17	
11/01/20	



FY 2019-20
STANDARD PLANS

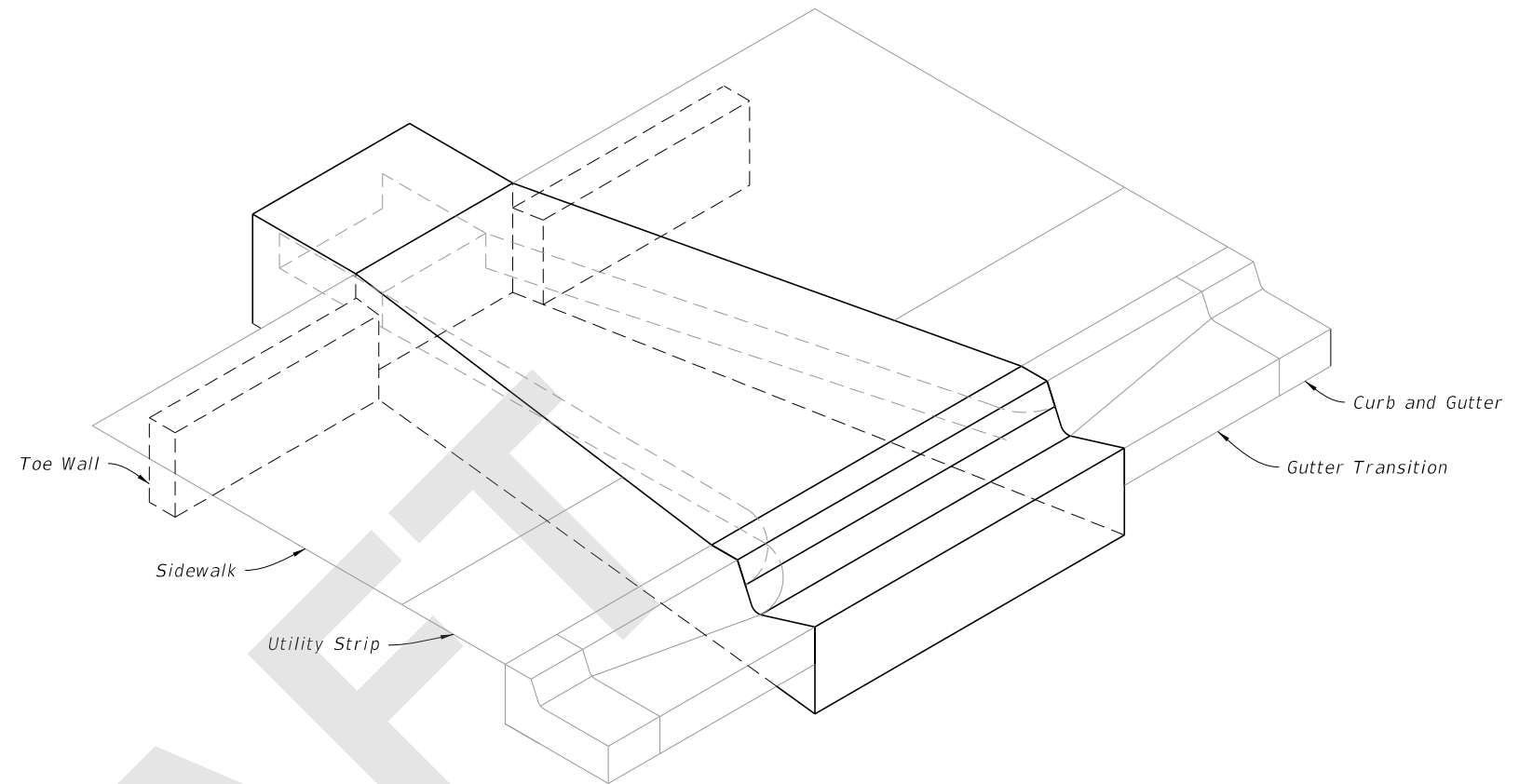
CLOSED FLUME INLET

INDEX
425-061

SHEET
3 of 3

GENERAL NOTES:

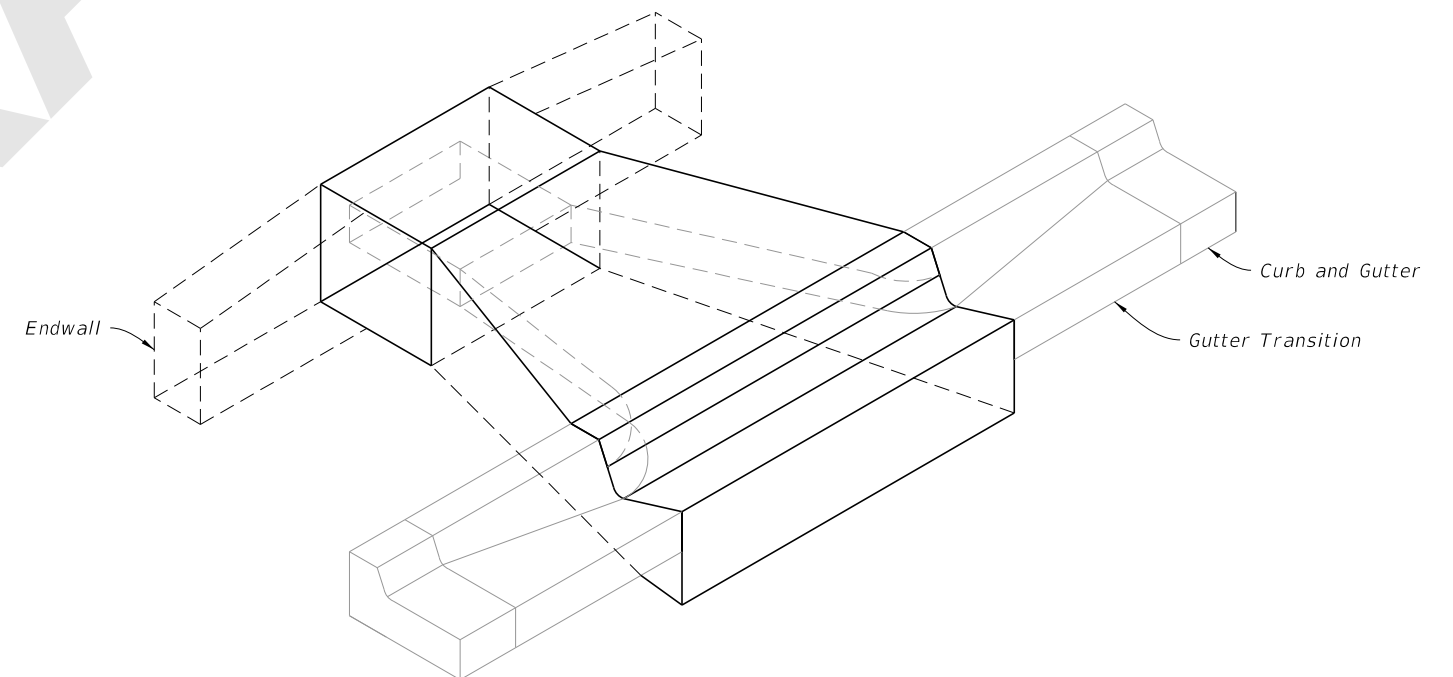
1. The finished grade and slope of the inlet top are to conform with the finished cross slope and grade of the proposed sidewalk and/or border.
2. When inlets are to be constructed on a curve, refer to the plans to determine the radius. Bend steel when necessary.
3. Inlets can be either cast-in-place or precast concrete. Chamfer all exposed edges $\frac{3}{4}$ ".
4. All reinforcement is ASTM A615/A615M Grade 60 steel, either smooth or deformed with a 2" minimum cover, unless otherwise shown. Equivalent area grade 40 steel or 65 ksi welded wire fabric may be substituted.



TYPE I CLOSED FLUME INLET WITH SIDEWALK

Single Barrel Flume Shown

TABLE OF CONTENTS:	
Sheet	Description
1	General Notes and Contents
2	Type-I Dimensional Details
3	Reinforcement Details
4	Type-II Dimensional Details
5	Multiple Barrel Flumes



TYPE II CLOSED FLUME INLET WITHOUT SIDEWALK

Single Barrel Flume Shown

7/29/2020 6:54:34 AM

LAST REVISION	REVISION	DESCRIPTION:
11/01/20		

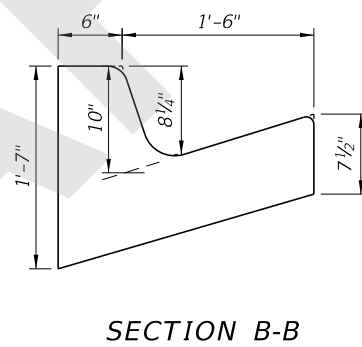
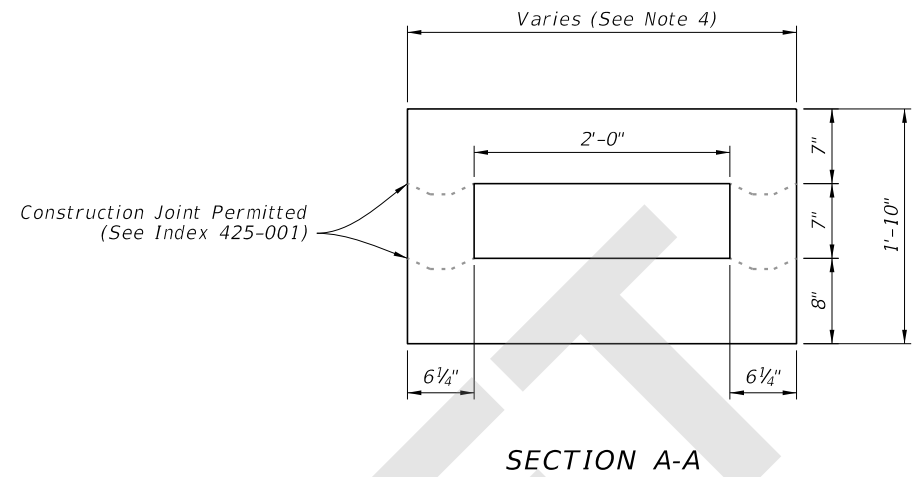
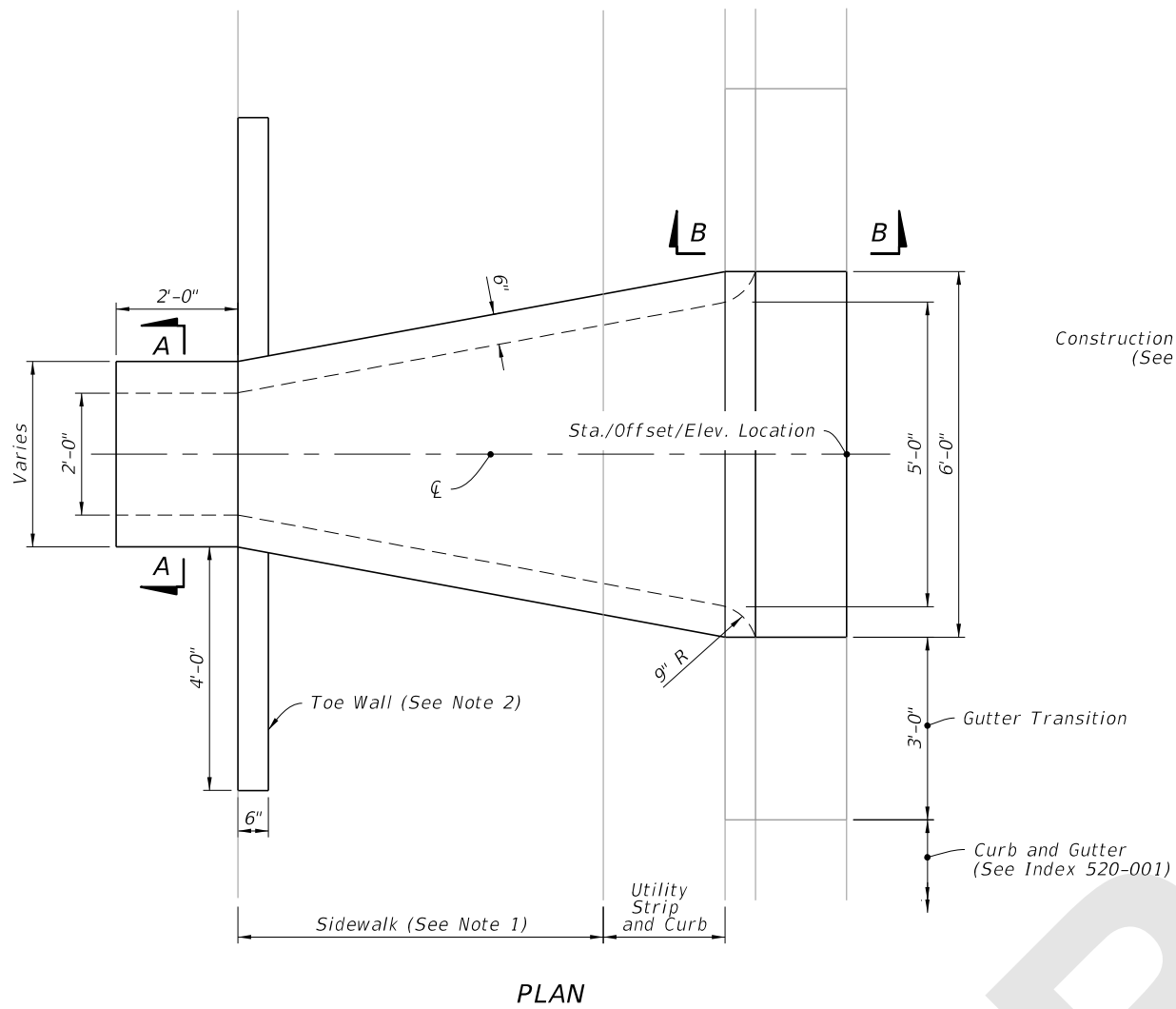


FY 2021-22
STANDARD PLANS

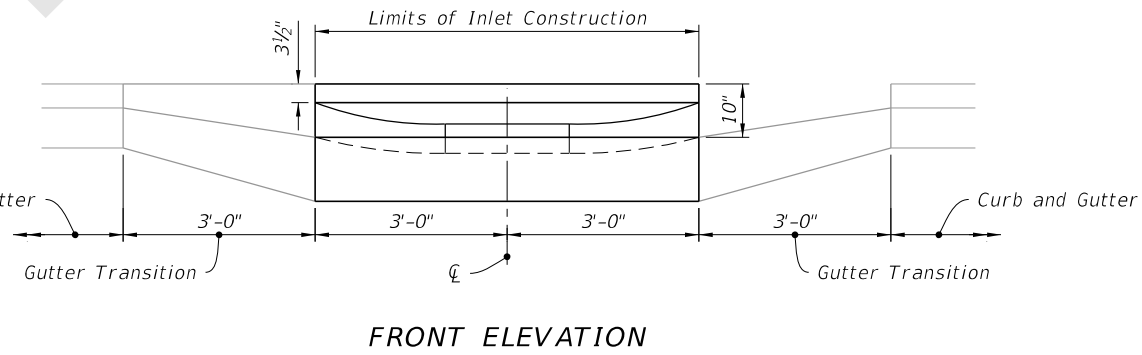
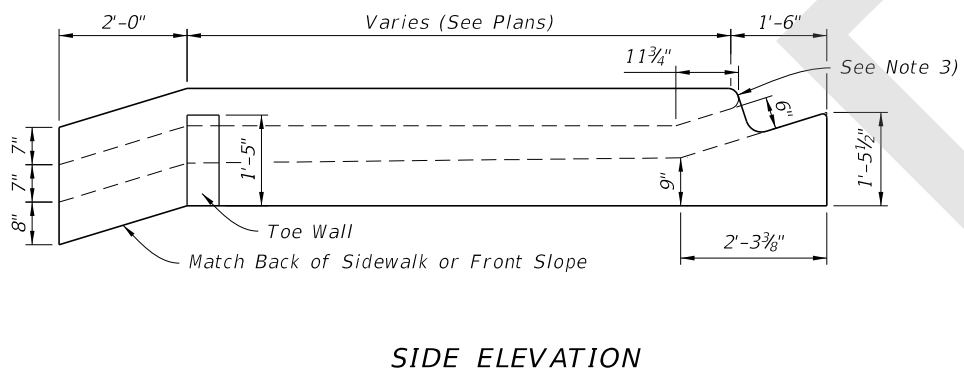
CLOSED FLUME INLET

INDEX
425-061

SHEET
1 of 5



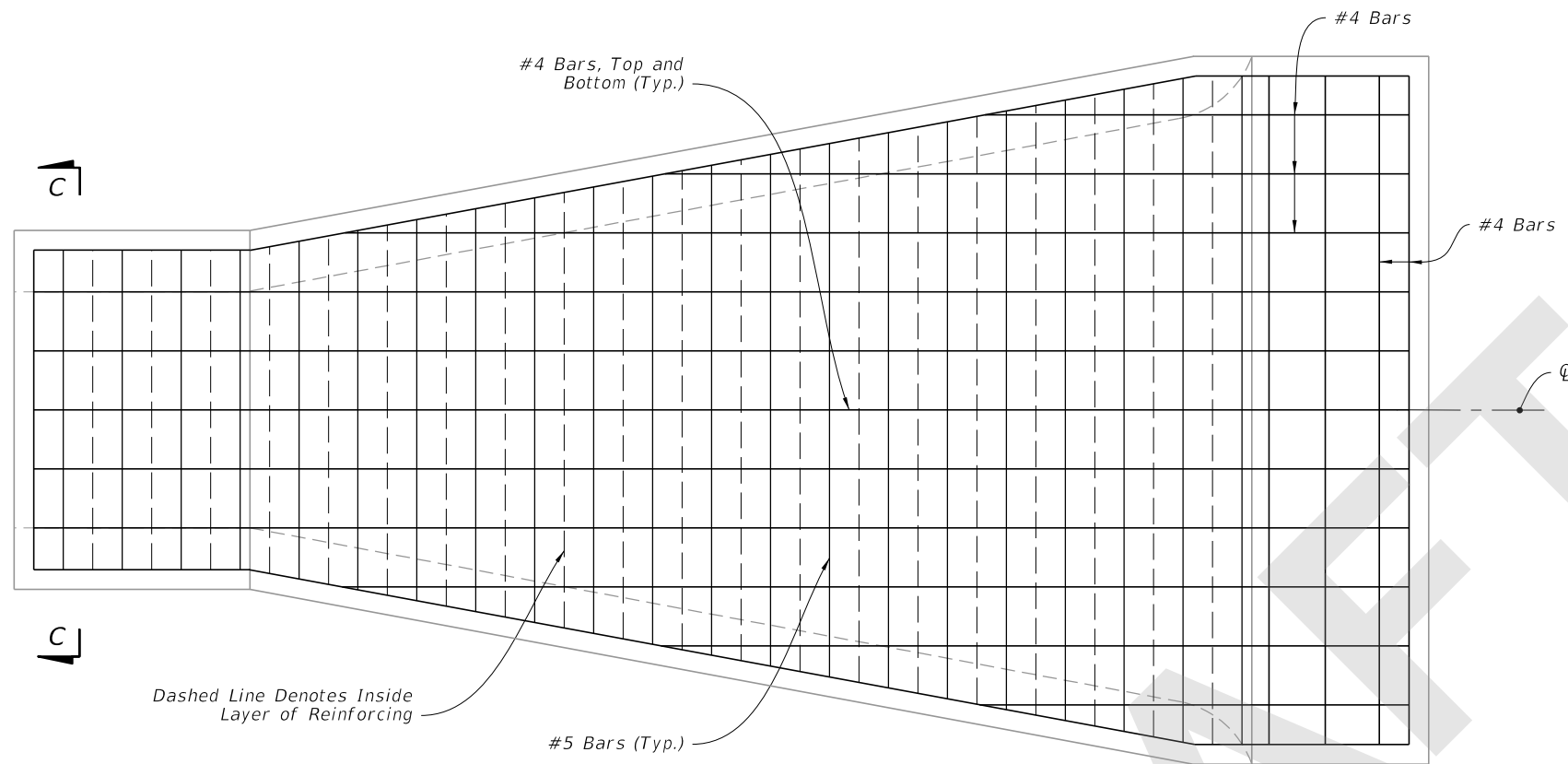
- NOTES:**
1. Use sloped section with sidewalk applications only.
 2. Use Toe Walls with Sidewalk application only. For Endwall without Sidewalk see DETAILS on Sheet 4.
 3. Slope to match adjacent curb with 2" top radius and 1 1/4" bottom radius.
 4. Varies from 3'-1/2" to 6'-0" for single barrel flume. See Sheet 5 for multiple barrel flumes span variation.



7/29/2020 6:54:35 AM

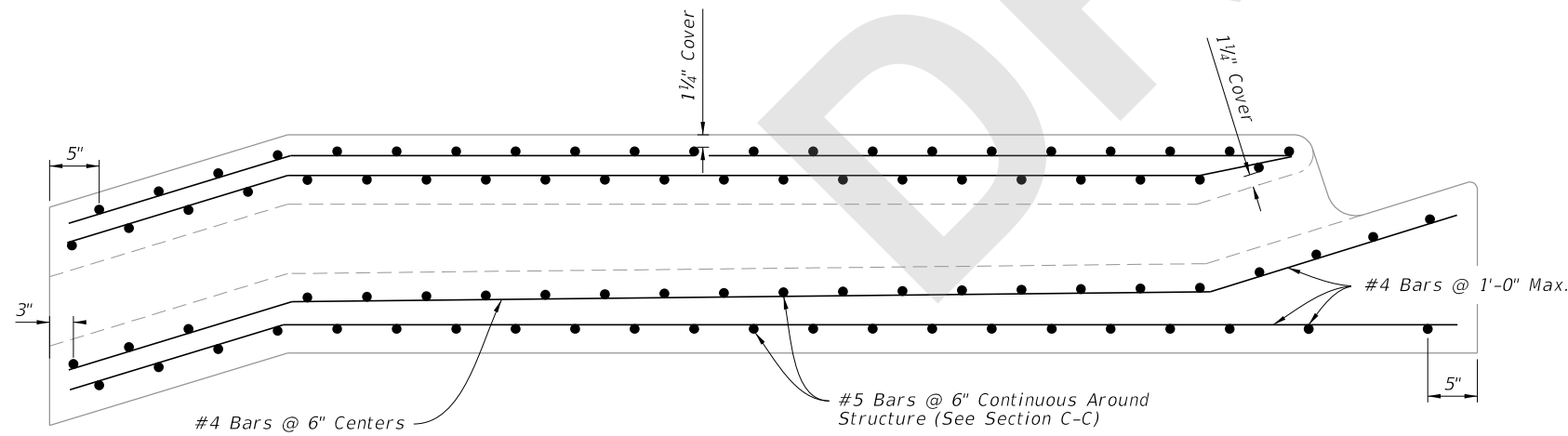
TYPE-I DIMENSIONAL DETAILS

LAST REVISION 11/01/20	REVISION	DESCRIPTION:		FY 2021-22 STANDARD PLANS	CLOSED FLUME INLET	INDEX 425-061	SHEET 2 of 5
---------------------------	----------	--------------	--	------------------------------	--------------------	------------------	-----------------

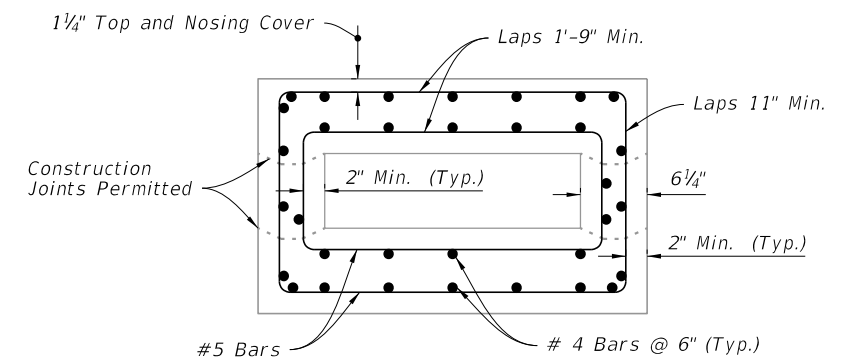


PLAN

NOTE:
Type I Closed Flume Inlet shown, Type II Closed Flume Inlet Similar.



SIDE ELEVATION



SECTION C-C

7/29/2020 6:54:36 AM

REINFORCEMENT DETAILS

LAST REVISION 11/01/20	REVISION	DESCRIPTION:
---------------------------	----------	--------------

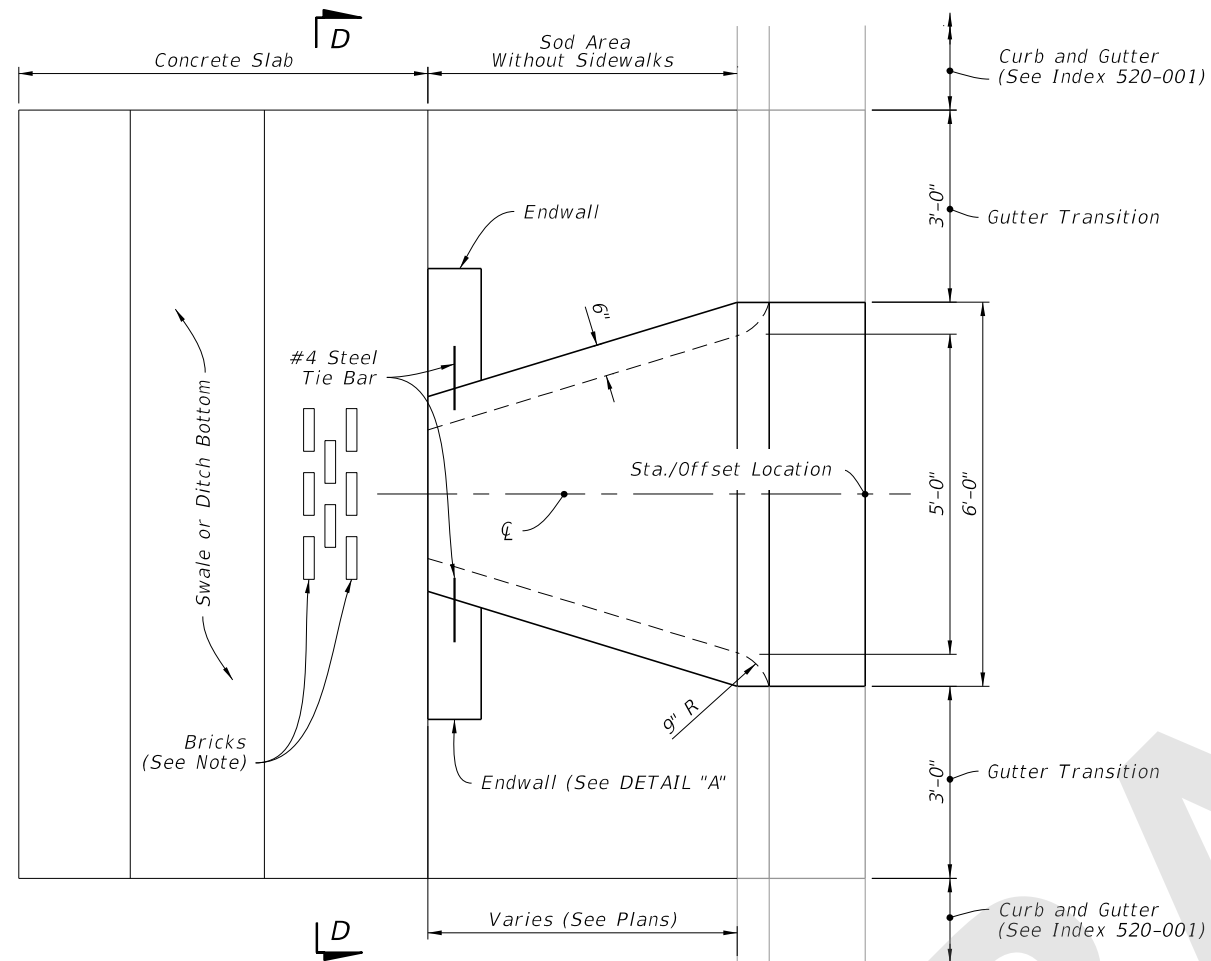


FY 2021-22
STANDARD PLANS

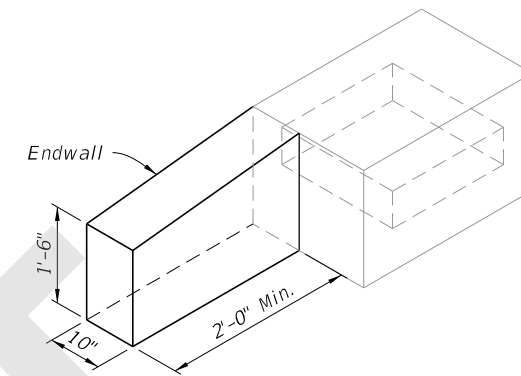
CLOSED FLUME INLET

INDEX
425-061

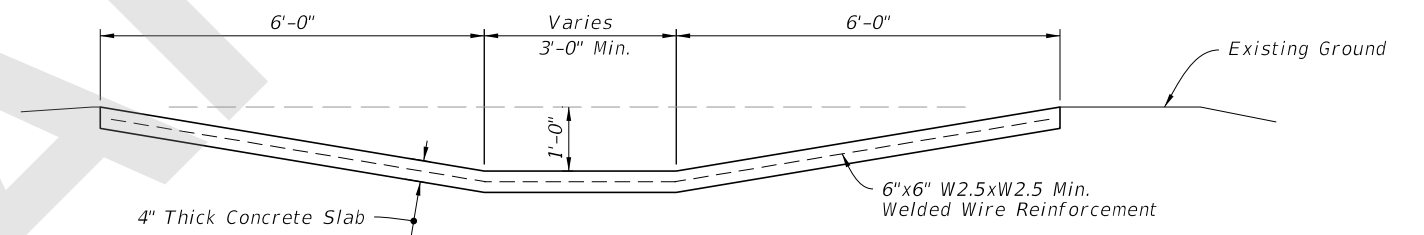
SHEET
3 of 5



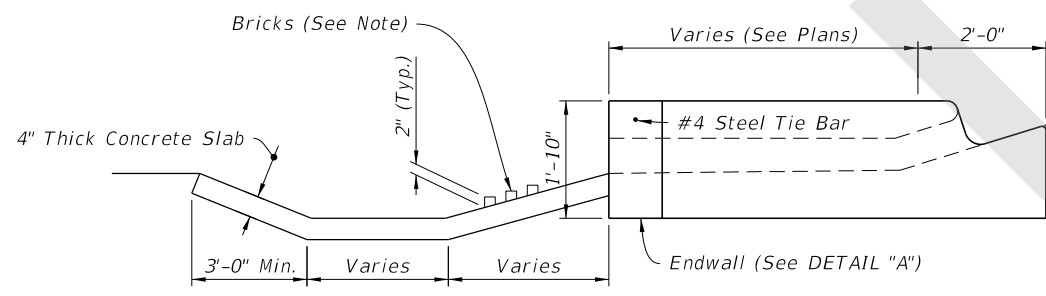
PLAN



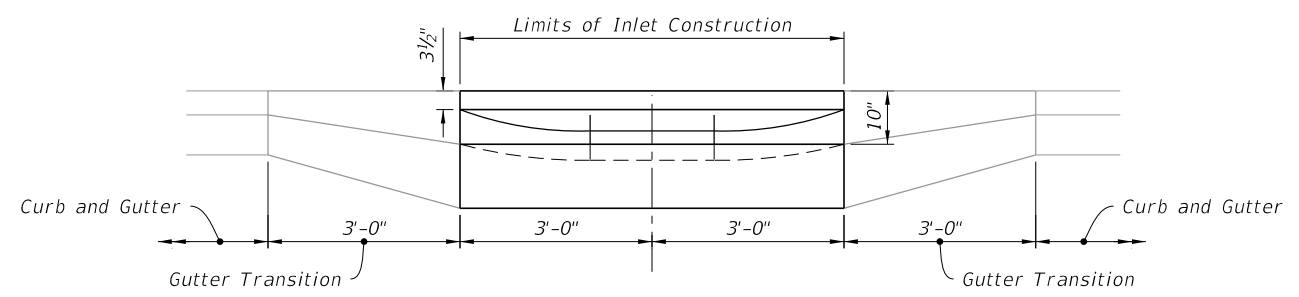
DETAIL "A"



SECTION D-D



SIDE ELEVATION



FRONT ELEVATION

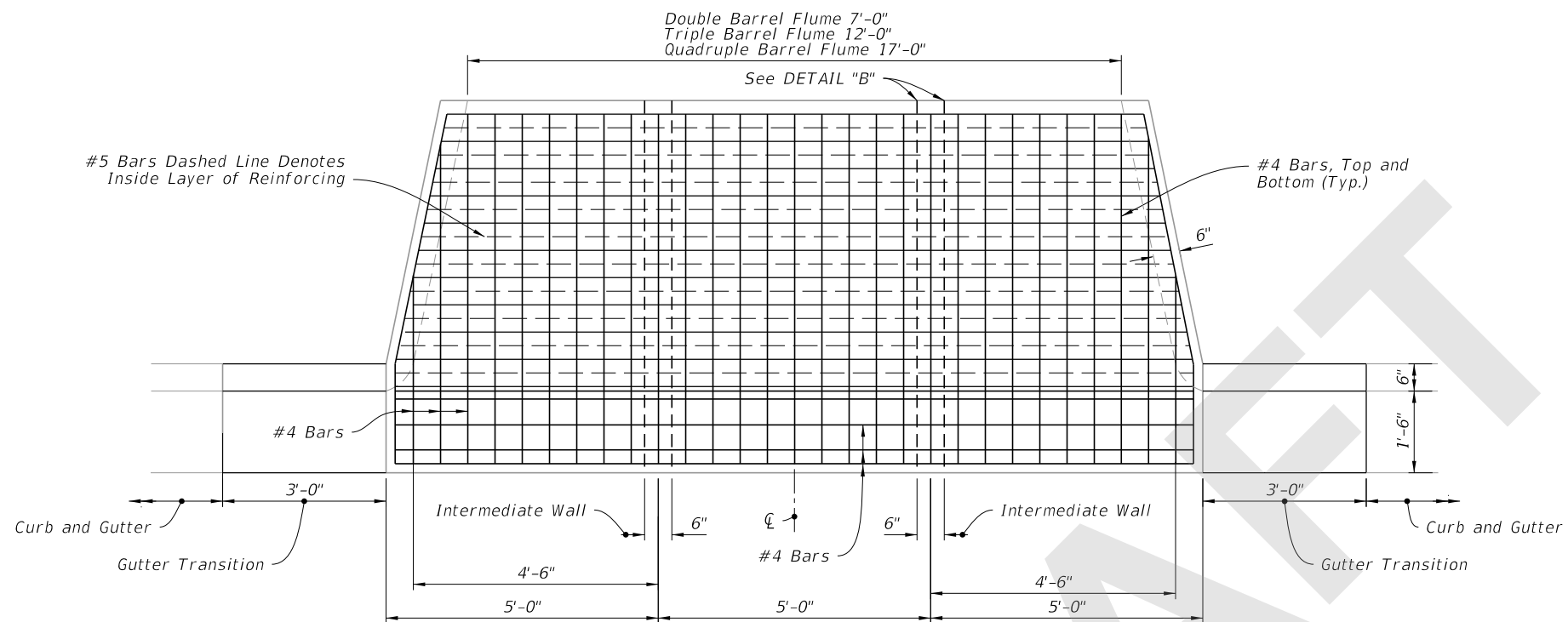
NOTE:
When called for in the Plans, install bricks to dissipate energy.

TYPE II DIMENSIONAL DETAILS

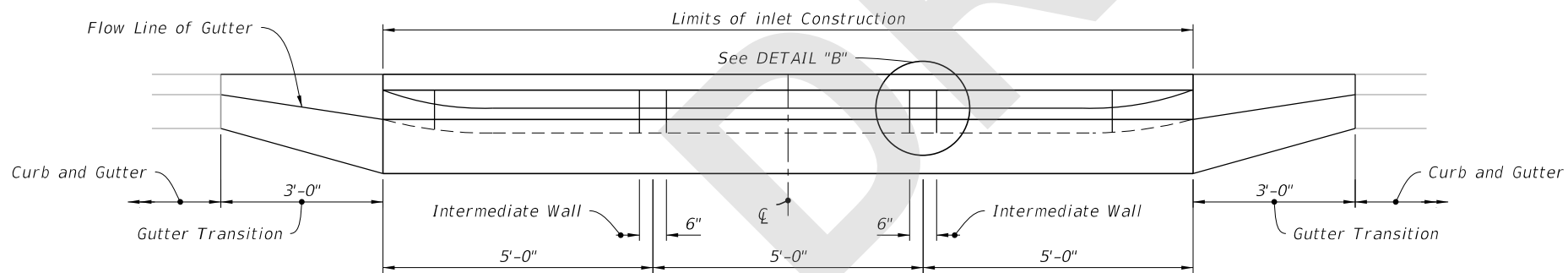
7/29/2020 6:54:38 AM

LAST REVISION 11/01/20	DESCRIPTION:		FY 2021-22 STANDARD PLANS	CLOSED FLUME INLET	INDEX	SHEET
					425-061	4 of 5

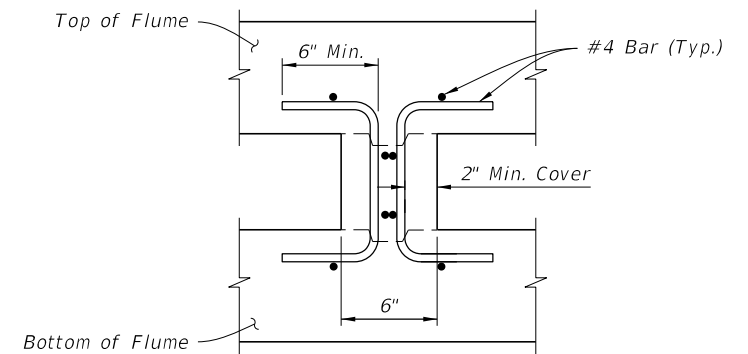
7/29/2020 6:54:40 AM



PLAN



FRONT ELEVATION



Intermediate Wall Reinforcing
DETAIL "B"

NOTE:

Triple barrel flume shown, double and quadruple similar.

MULTIPLE BARREL FLUMES

LAST REVISION
11/01/20

REVISION

DESCRIPTION:



FY 2021-22
STANDARD PLANS

CLOSED FLUME INLET

INDEX
425-061

SHEET
5 of 5