
ORIGINATION FORM

Proposed Revisions to a Standard Plans Index
(Please provide all information — Incomplete forms will be returned)

Contact Information:

Date: November 1, 2019

Originator: Rick Jenkins

Phone: (850) 414-4355

Email: Rick.Jenkins@dot.state.fl.us

Standard Plans:

Index Number: 425-060

Sheet Number (s): ALL

Index Title: Back of Sidewalk Drainage

Summary of the changes:

Reorganized Index, Added additional Sheets.

Sheet 1: General Notes

Sheet 2: Type C Inlet (Modified)

Sheet 3: Special Concrete Endwall

Sheet 4: Shallow ditches and Yard Drains

Commentary / Background:

Reorganized Details and Sheets to declutter Index. Moved information from detail callouts to Notes in order to decrease clutter of the drawing.

Other Affected Offices / Documents: (Provide name of person contacted)

- | Yes | No | |
|--------------------------|--------------------------|-----------------------------|
| <input type="checkbox"/> | <input type="checkbox"/> | Other Standard Plans – |
| <input type="checkbox"/> | <input type="checkbox"/> | FDOT Design Manual – |
| <input type="checkbox"/> | <input type="checkbox"/> | Basis of Estimates Manual – |
| <input type="checkbox"/> | <input type="checkbox"/> | Standard Specifications – |
| <input type="checkbox"/> | <input type="checkbox"/> | Approved Product List – |
| <input type="checkbox"/> | <input type="checkbox"/> | Construction – |
| <input type="checkbox"/> | <input type="checkbox"/> | Maintenance – |

Origination Package Includes:

(Email or hand deliver package to Rick Jenkins)

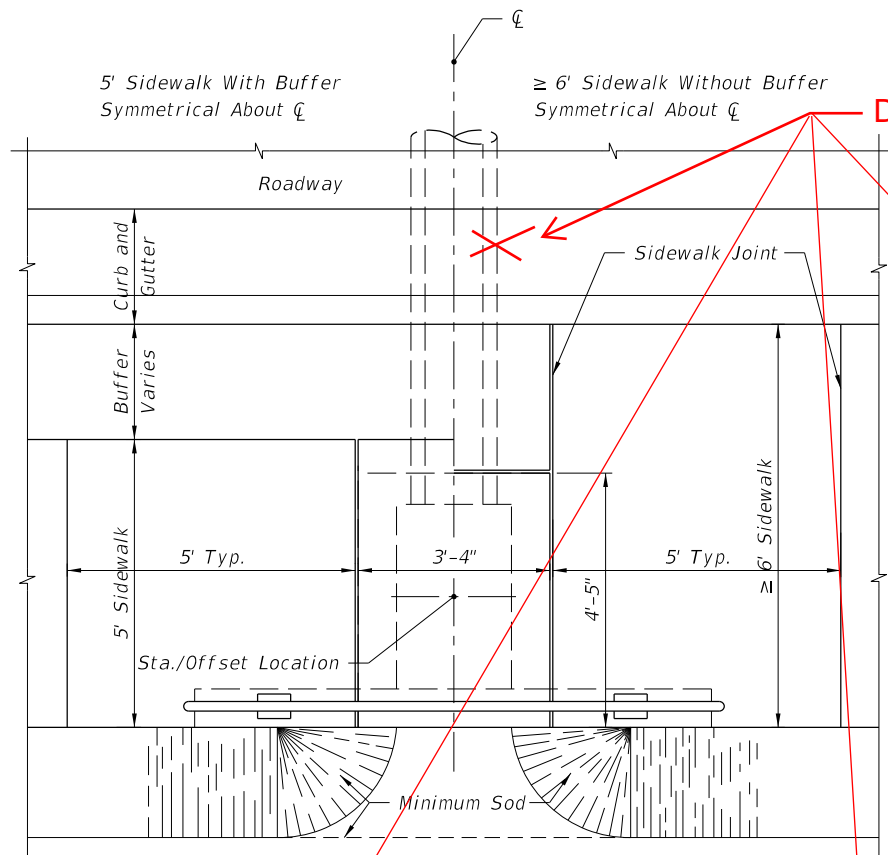
- | Yes | N/A | |
|-------------------------------------|--------------------------|------------------------------------------|
| <input checked="" type="checkbox"/> | <input type="checkbox"/> | Redline Mark-ups |
| <input checked="" type="checkbox"/> | <input type="checkbox"/> | Proposed Standard Plan Instruction (SPI) |
| <input type="checkbox"/> | <input type="checkbox"/> | Revised SPI |
| <input type="checkbox"/> | <input type="checkbox"/> | Other Support Documents |

Implementation:

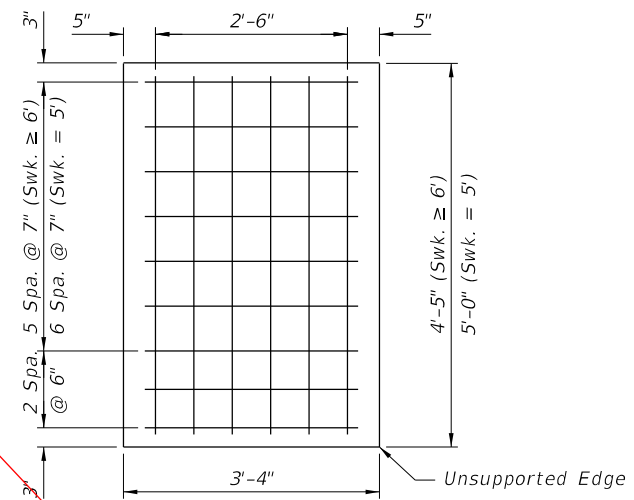
- | | |
|-------------------------------------|----------------------------------|
| <input type="checkbox"/> | Design Bulletin (Interim) |
| <input type="checkbox"/> | DCE Memo |
| <input type="checkbox"/> | Program Mgmt. Bulletin |
| <input checked="" type="checkbox"/> | FY-Standard Plans (Next Release) |

Contact the Roadway Design Office for assistance in completing this form

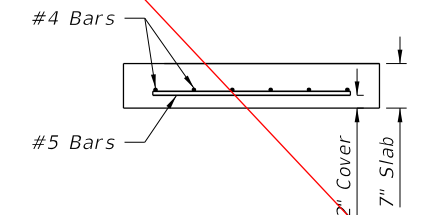
NEW SHEET
GENERAL NOTES AND OVERVIEW



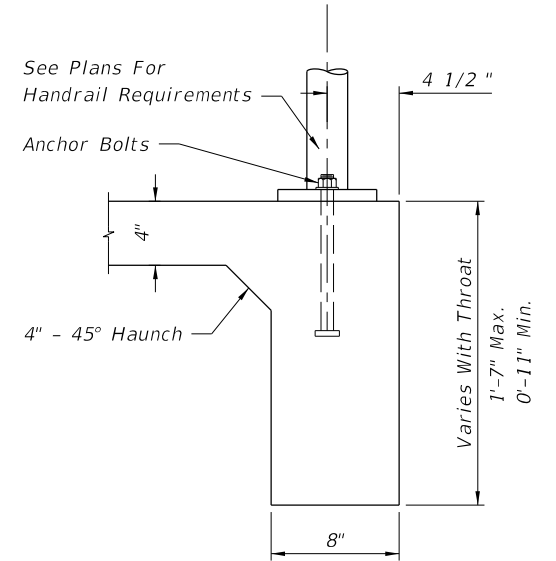
PLAN



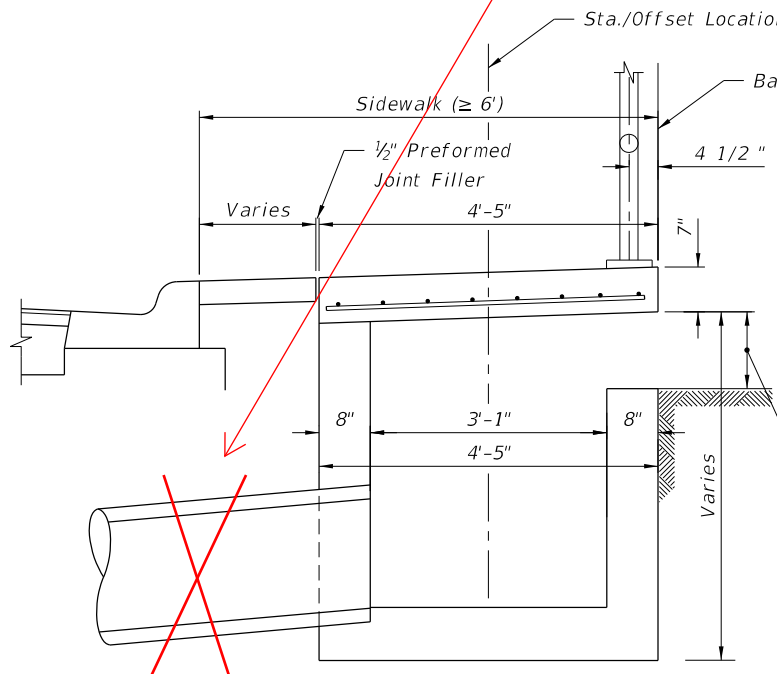
SLAB REINFORCEMENT



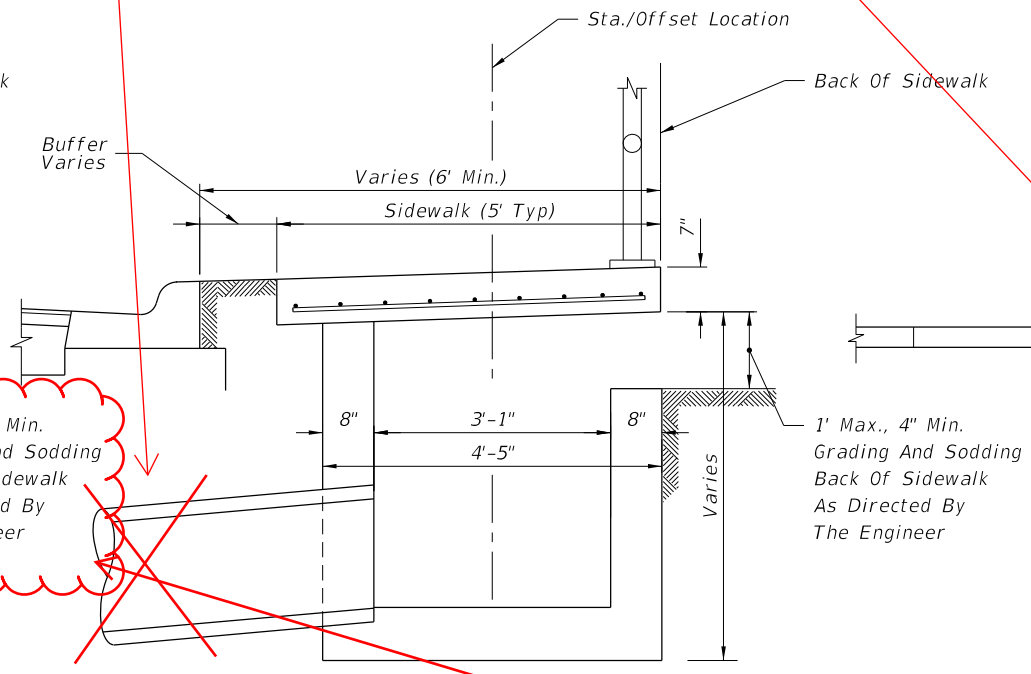
SLAB SECTION



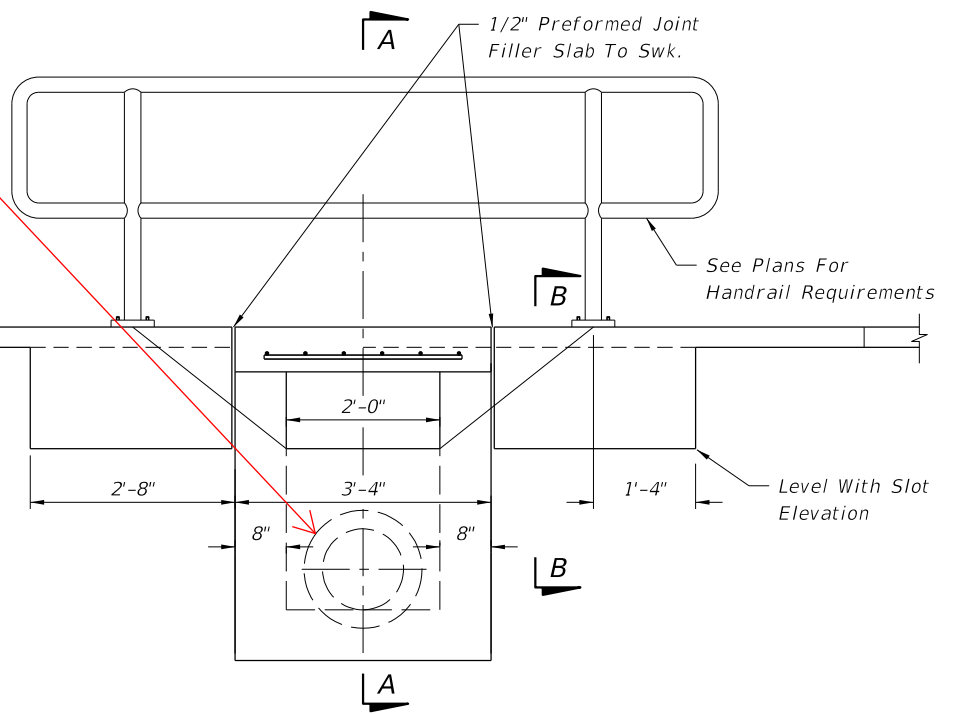
SECTION BB



≥ 6' SIDEWALK SECTION AA



5' SIDEWALK SECTION AA



FRONT ELEVATION

1' Max., 4" Min. Grading And Sodding Back Of Sidewalk As Directed By The Engineer

1' Max., 4" Min. Grading And Sodding Back Of Sidewalk As Directed By The Engineer

Notes:

1. For additional details see Index 425-052. **Sheet 1**

2. Inlet to be paid for under the contract unit price for Inlets (Ditch Bottom Type C Modified), EA. Handrail to be paid for under the contract unit price for Pipe Handrail, (Material), LF. **SPI/Spec**

ADDED as Note 1
ADDED Note 2: Pipe connection not shown

INLET TYPE C (MODIFIED)

9/18/2018 2:53:27 PM

LAST REVISION	DESCRIPTION:
11/01/17	
11/01/20	

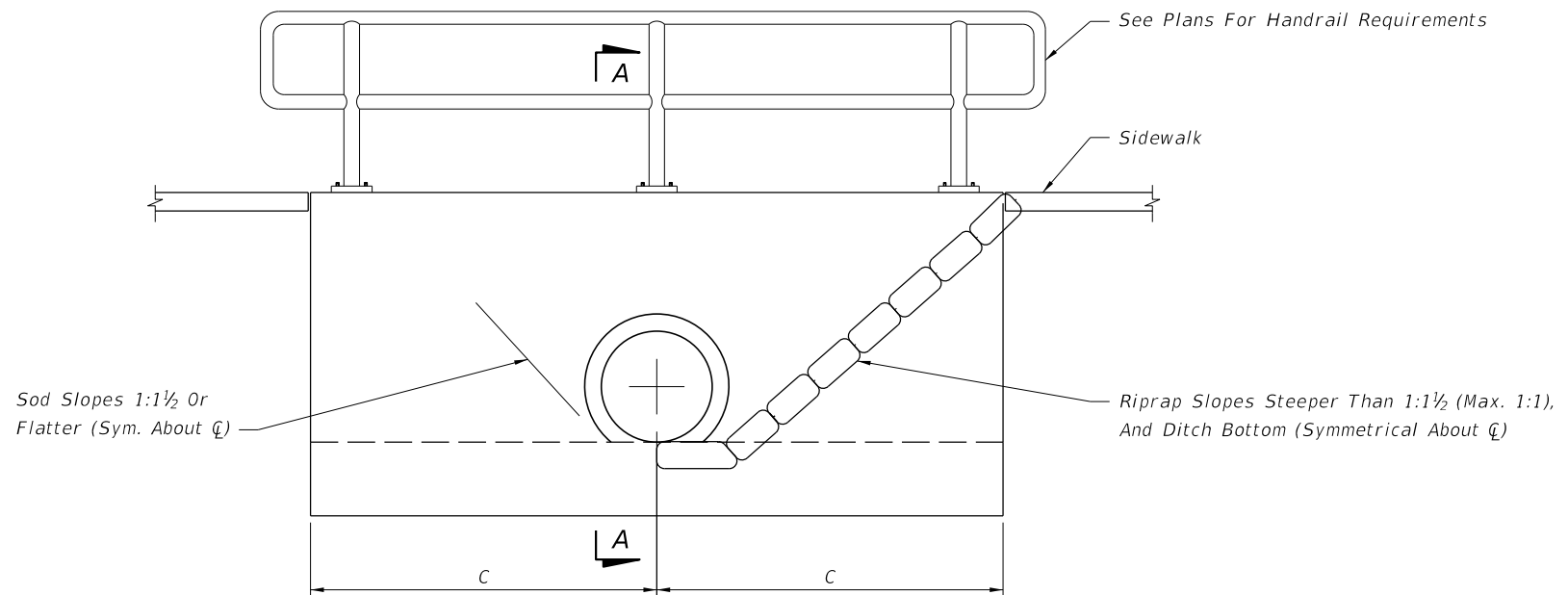
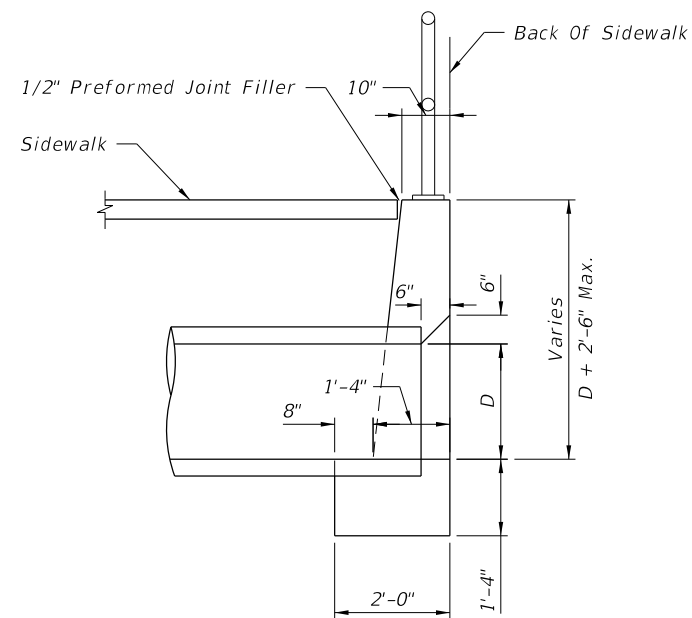
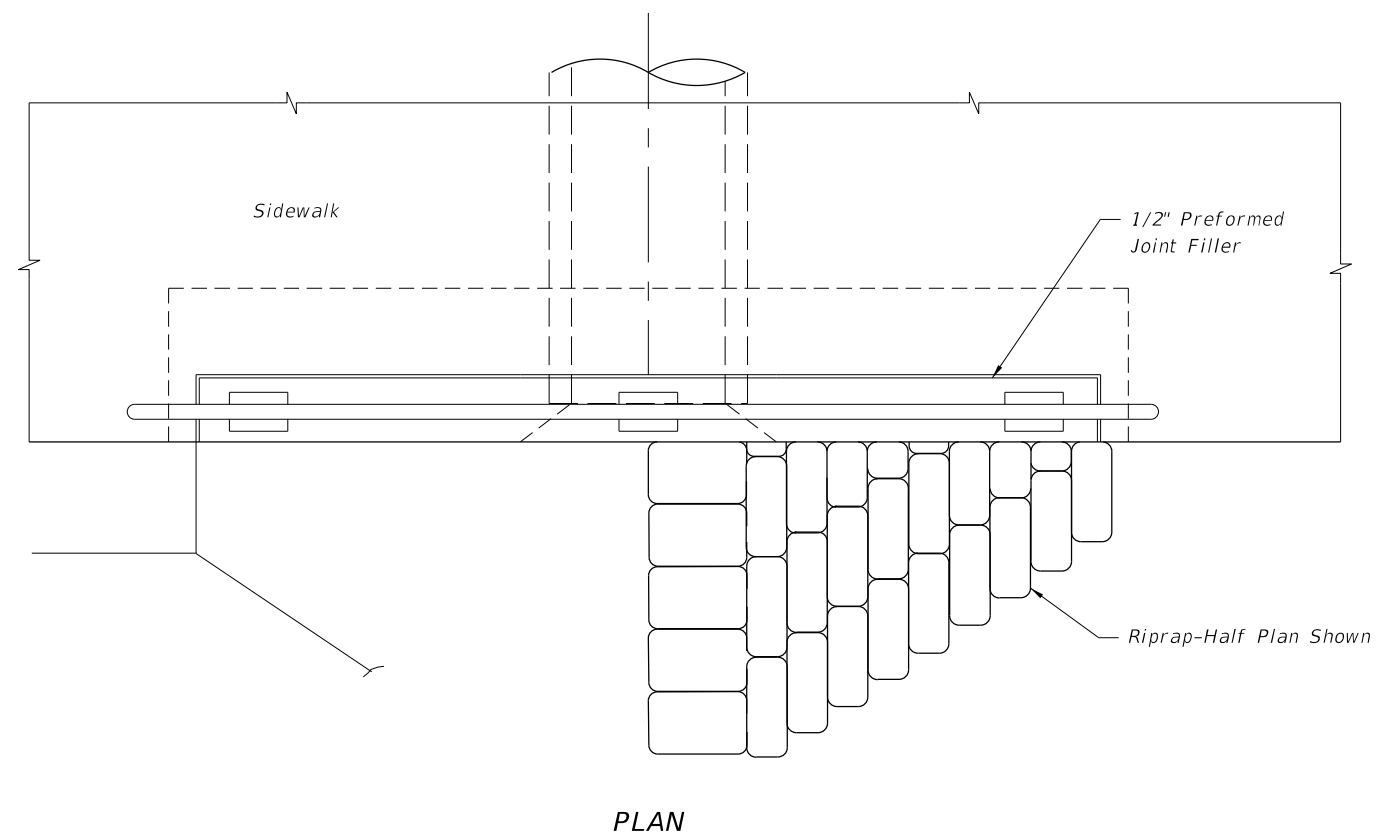
FDOT
FY 2019-20
STANDARD PLANS

BACK OF SIDEWALK DRAINAGE

Renumbered

INDEX	SHEET
425-060	1 of 3

Reorganized and Added Section Detail for Handrail Anchor Bolt.



- Notes:
- Maximum pipe size shall be 24" diameter. **SPI**
 - Grading back of sidewalk varies and shall be done as directed by the Engineer.
 - Concrete quantities shown are for maximum wall heights, and shall be basis for estimate and payment.
 - Riprap quantities shown are for estimate purposes only. Cost of riprap to be included in cost of the endwall.
 - Endwalls to be paid for under the contract unit price for Concrete Class I (Endwalls), CY. Handrail to be paid for under the contract unit price for Pipe Handrail, (Material), LF. **SPI/Spec**

Pipe Size (in)	C	Concrete Class I (CY)	Sand-Cement Riprap (CY)
15	4'-9"	2.3	1.1
18	5'-3"	2.6	1.3
24	6'-3"	3.3	1.8

SPECIAL CONCRETE ENDWALL

9/18/2018 2:53:28 PM

LAST REVISION	DESCRIPTION:
11/01/17	
11/01/20	



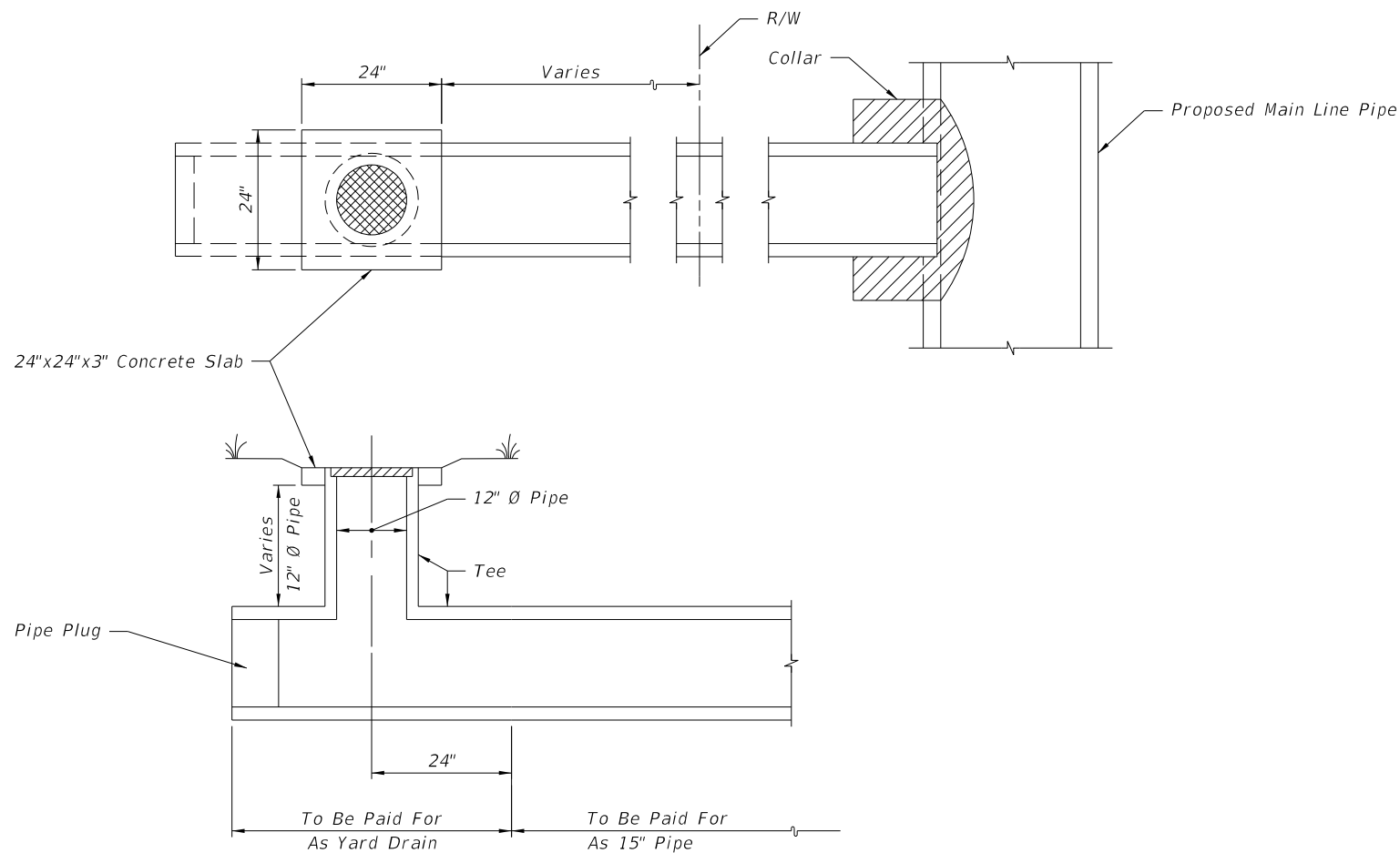
FY 2019-20
STANDARD PLANS

BACK OF SIDEWALK DRAINAGE

Renumbered

INDEX
425-060

SHEET
2 of 3

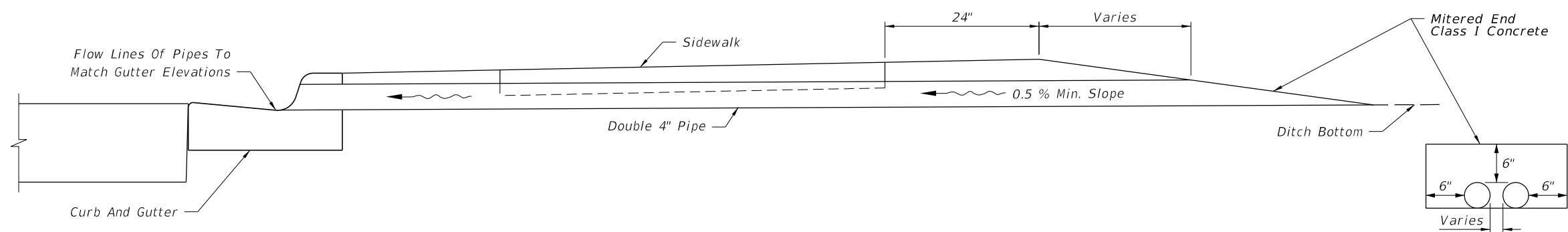


YARD DRAIN ITEM INCLUDES:

1. 15" x 15" x 12" Concrete or PVC Tee 4' long.
2. Grate diameter = 14-1/4"
Thickness = 2-1/2"
Flow area = 45 sq in min.
Light Duty Cast Iron, see Specification Section 962.
3. 12" pipe as necessary.
4. 0.04 Cubic yards concrete for slab.

YARD DRAINS

- Notes:
1. Yard drains to be located outside the R/W. Drainage area should not exceed 750 SF (grate flow 0.1 Cfs). **SPI**
 2. Yard drains may be constructed at the option of the property owner as shown on the plans.
 3. Cost of plugs and collars to be included in the cost for 15" pipe. For collar and plug details see Index 430-001.
 4. Yard drains to be paid for under the contract unit price for Yard Drains, EA. **SPI/Spec**



SHALLOW DITCHES

- Notes:
1. To be constructed at locations as directed by the Engineer.
 2. Either cast iron pipe or PVC rigid conduit, U.L. listed for direct sunlight exposure, Schedule 40, may be used.
 3. Pipe and Mitered End to be paid for under the contract unit price for either Cast Iron Soil Pipe (Standard) (4"), LF or PVC Pipe For Back Of Sidewalk Drainage (4"), LF. **SPI/Spec**

Note:
Miter to slope.

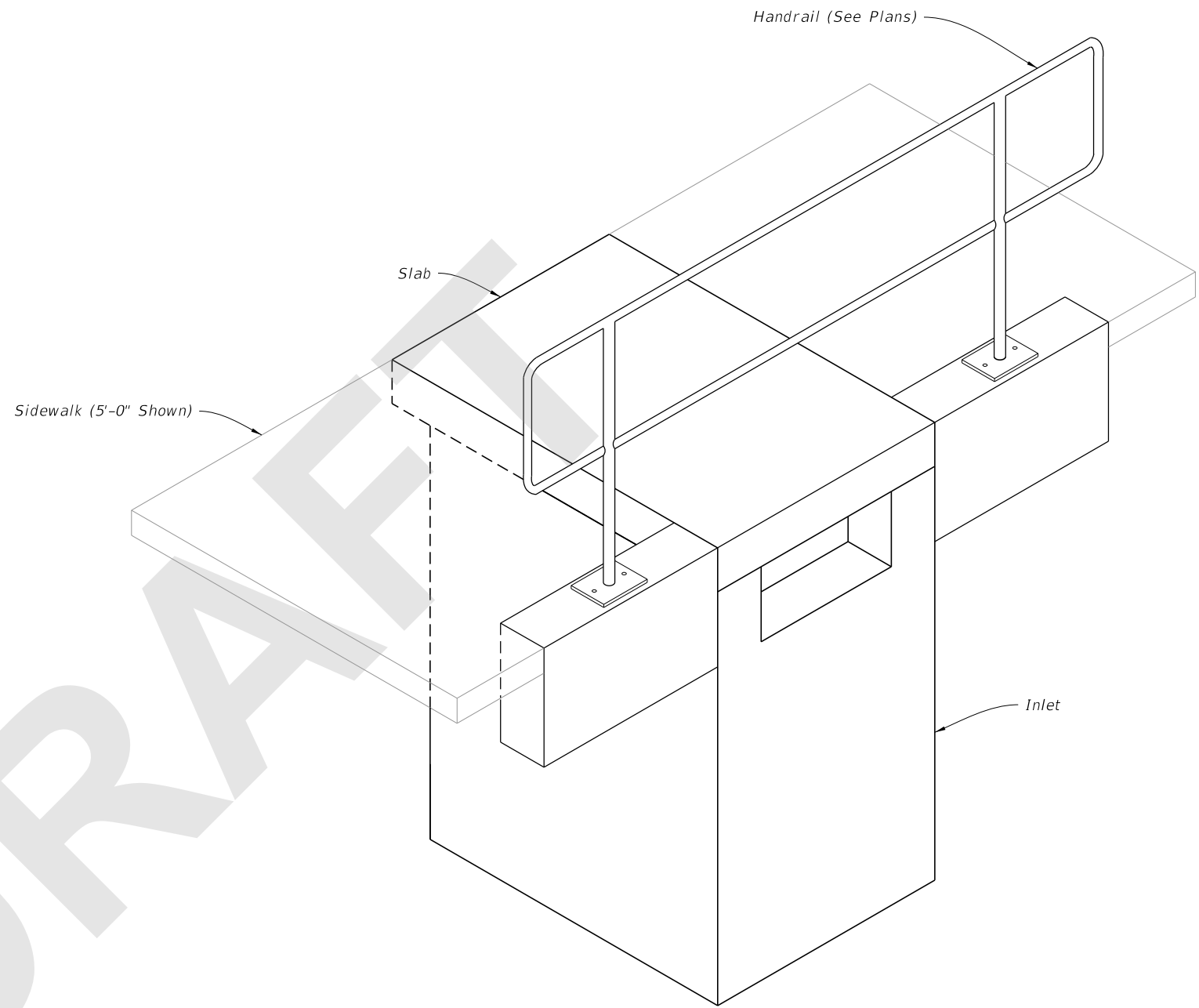
9/18/2018 2:53:30 PM

LAST REVISION 11/01/17	DESCRIPTION: 11/01/20	 FY 2019-20 STANDARD PLANS	BACK OF SIDEWALK DRAINAGE Renumbered	INDEX 425-060	SHEET 3 of 3
---------------------------	--------------------------	----------------------------------------------------------------------------------------------------------------------	-----------------------------------------------------------------------	------------------	-----------------

GENERAL NOTES:

1. Work this Index with Index 425-052.
2. Quantities are for informational and estimating purposes only.

TABLE OF CONTENTS:	
Sheet	Description
1	General Notes and Contents
2	Inlet Type C (Modified)
3	Special Concrete Endwall
4	Shallow Ditches and Yard Drains



TYPE C (MODIFIED) INLET
(Pipe Connection Not Shown)

8/28/2020 8:54:21 AM

LAST REVISION	DESCRIPTION:
11/01/20	

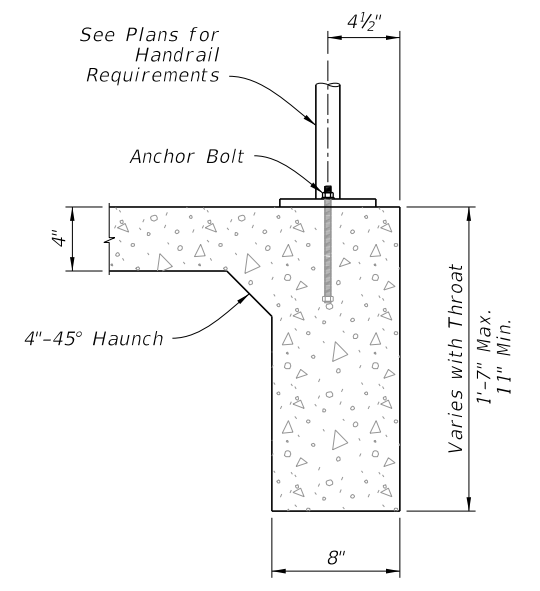
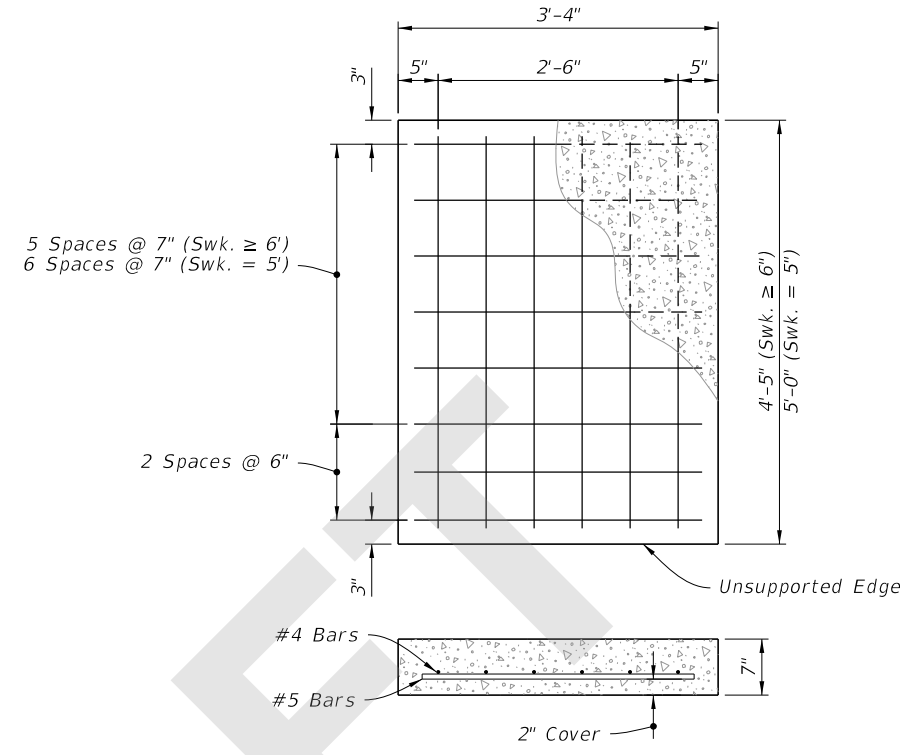
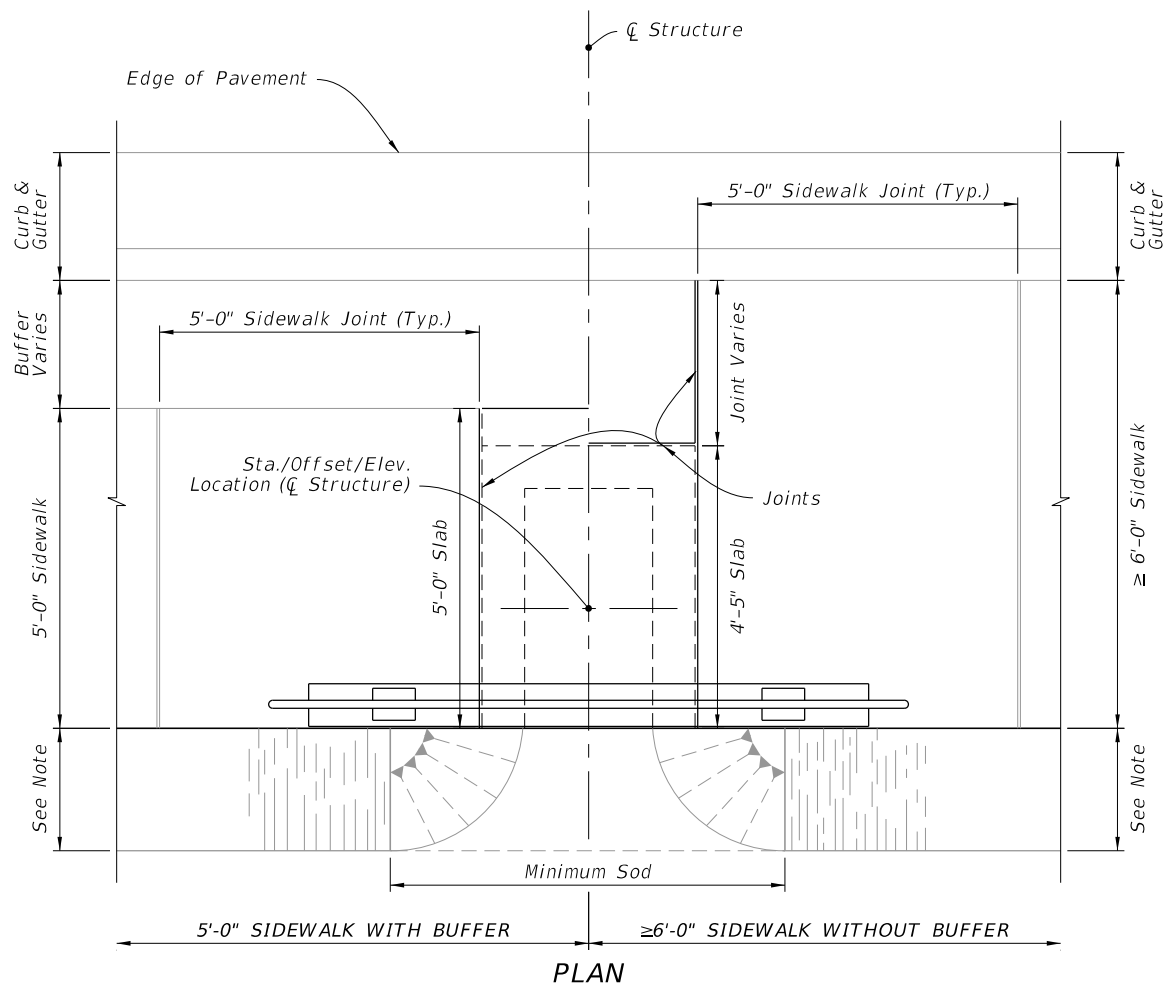


FY 2021-22
STANDARD PLANS

BACK OF SIDEWALK DRAINAGE

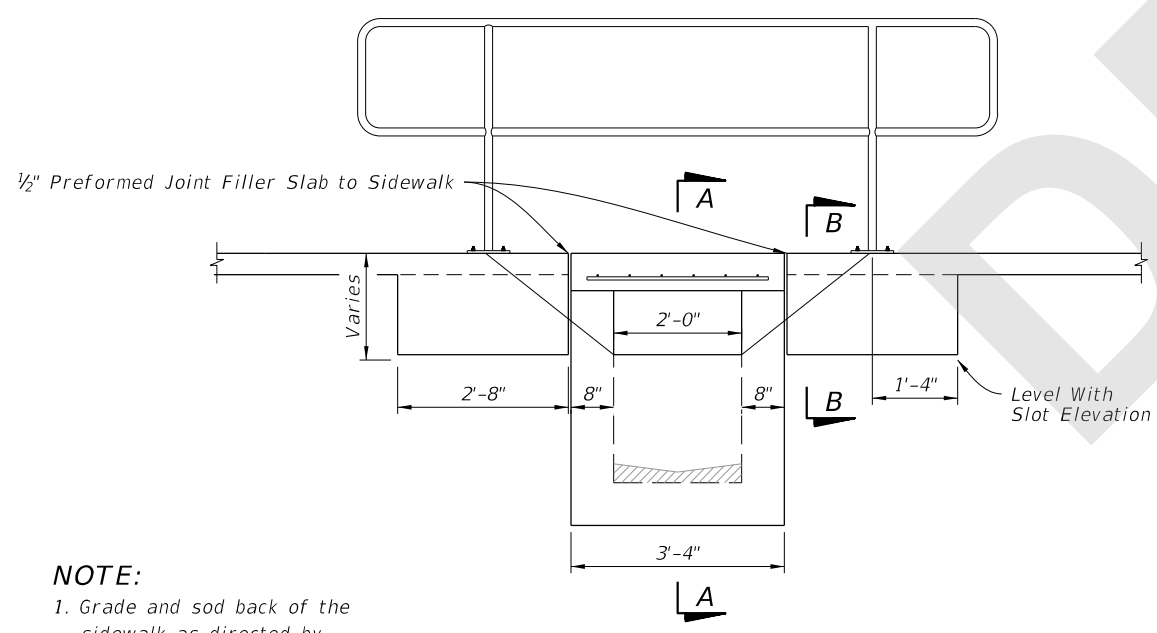
INDEX
425-060

SHEET
1 of 4

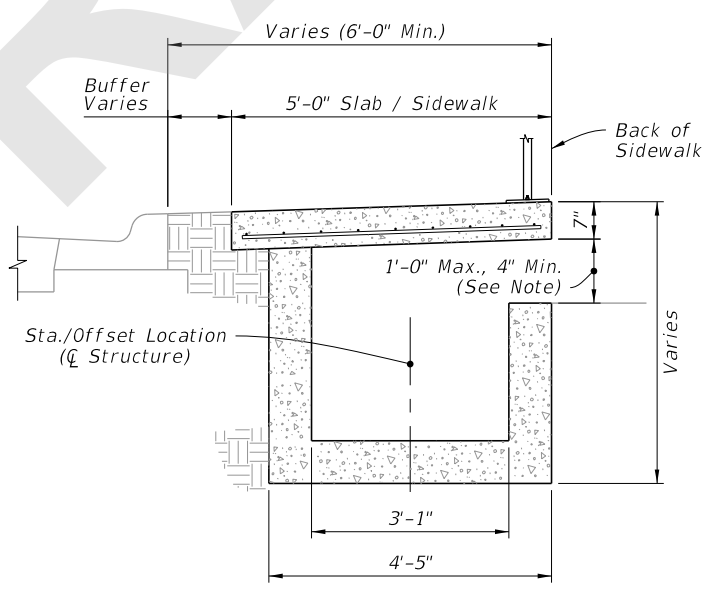


SLAB REINFORCEMENT

SECTION B-B

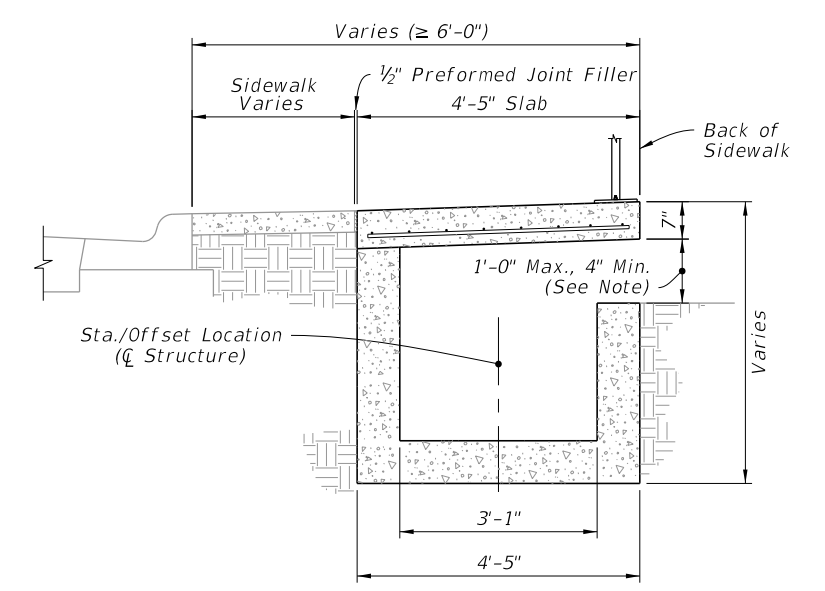


ELEVATION



5'-0" SIDEWALK WITH BUFFER

SECTION A-A



>=6'-0" SIDEWALK WITHOUT BUFFER

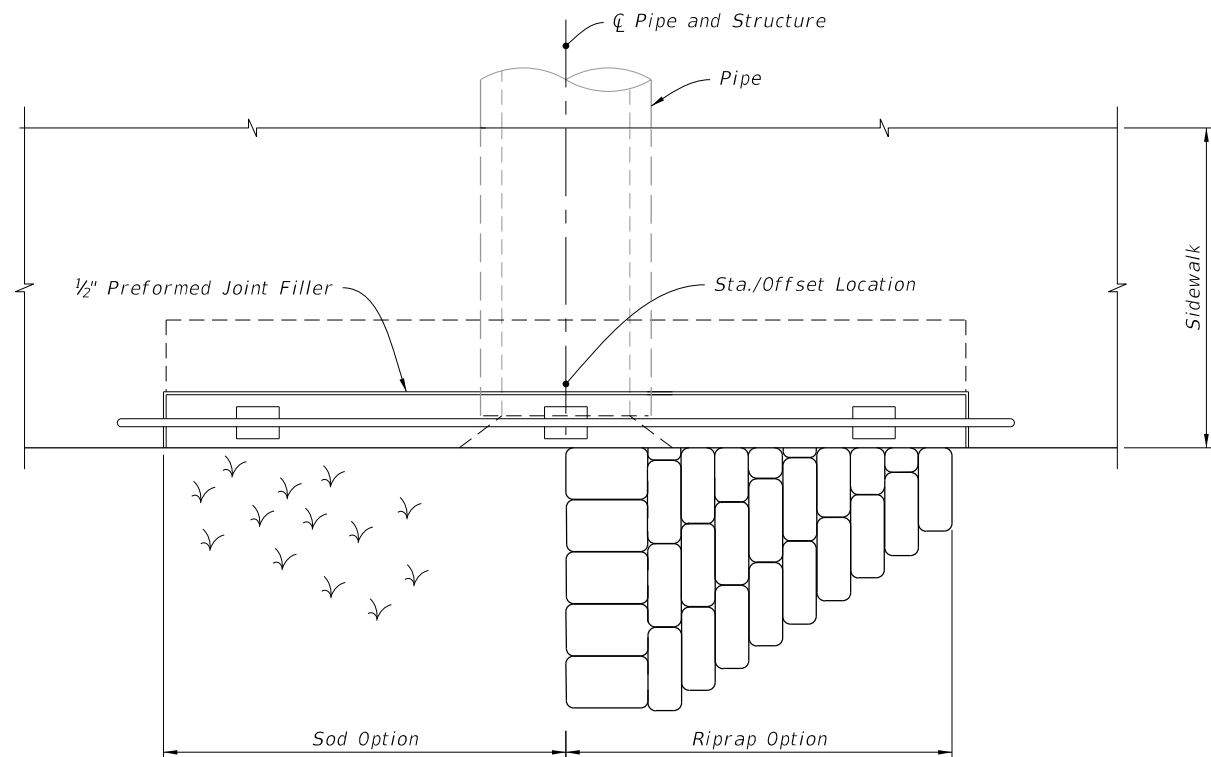
SECTION A-A

TYPE C INLET (MODIFIED)

NOTE:
 1. Grade and sod back of the sidewalk as directed by the Engineer.
 2. Pipe connection not shown.

8/28/2020 8:54:25 AM

LAST REVISION 11/01/20	DESCRIPTION:	 FY 2021-22 STANDARD PLANS	BACK OF SIDEWALK DRAINAGE	INDEX 425-060	SHEET 2 of 4
---------------------------	--------------	----------------------------------------------------------------------------------------------------------------------	---------------------------	------------------	-----------------

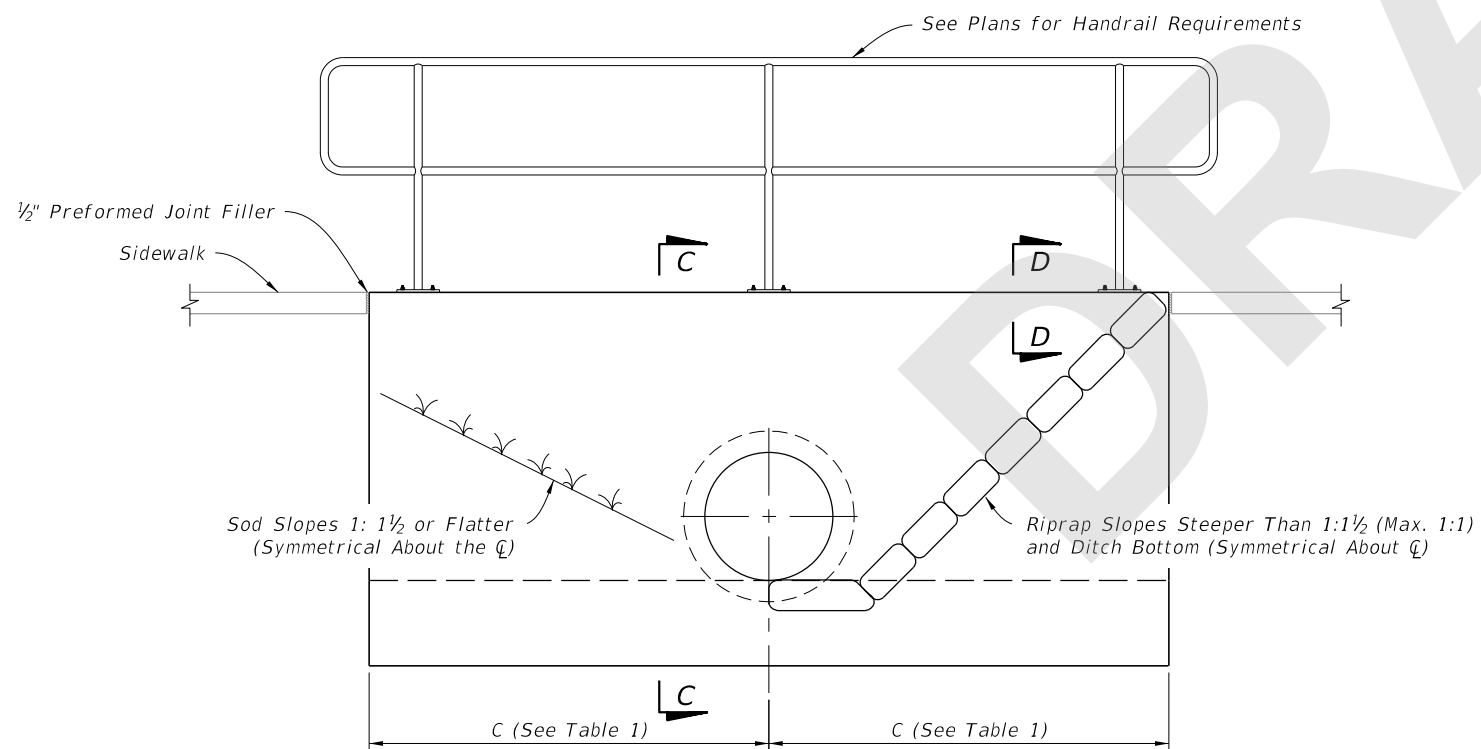


PLAN

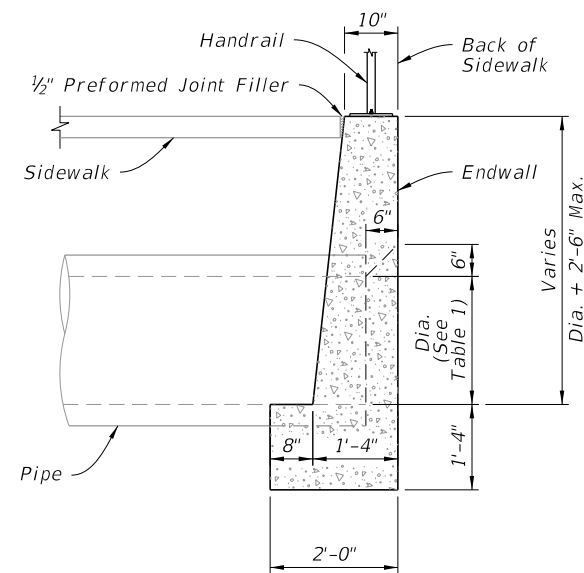
NOTES:

1. Grading back of sidewalk as directed in the Plans.
2. Concrete quantities shown are for maximum wall heights and for information only.
3. Riprap quantities are for informational and estimating purposes only.

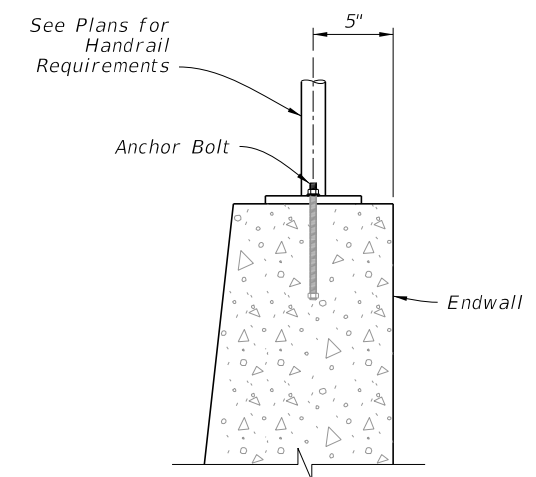
Pipe Size Dia. (in)	C	Concrete Class I (CY)	Sand-Cement Riprap (CY)
15	4'-9"	2.3	1.1
18	5'-3"	2.6	1.3
24	6'-3"	3.3	1.8



ELEVATION



SECTION C-C



SECTION D-D

SPECIAL CONCRETE ENDWALL

8/28/2020 8:54:28 AM

LAST REVISION	DESCRIPTION:
11/01/20	



FY 2021-22
STANDARD PLANS

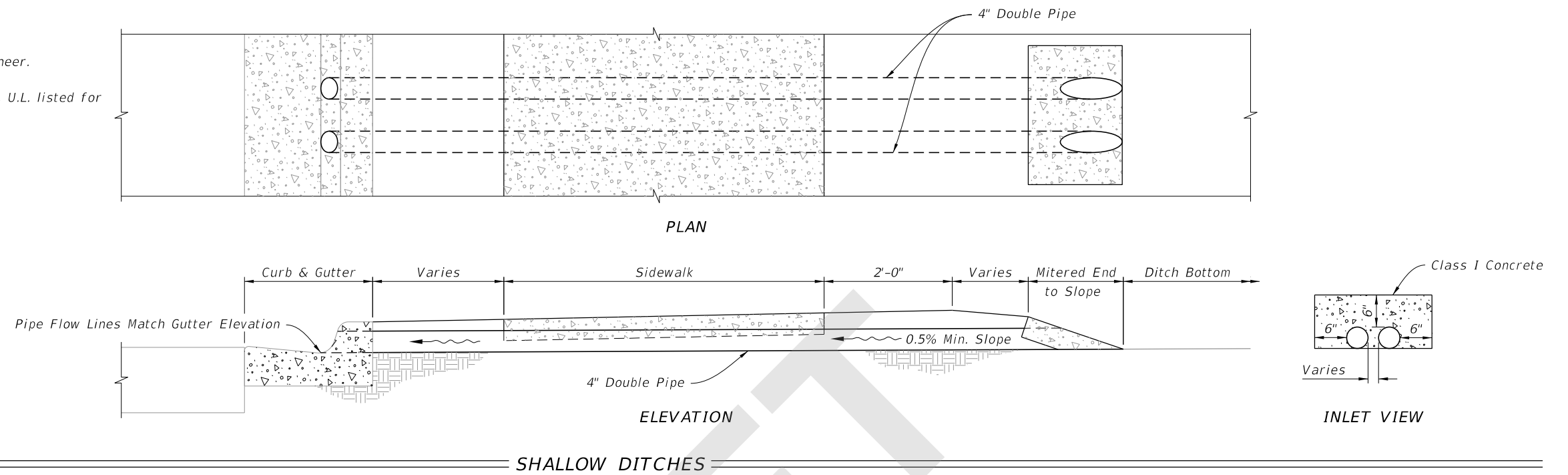
BACK OF SIDEWALK DRAINAGE

INDEX
425-060

SHEET
3 of 4

NOTES:

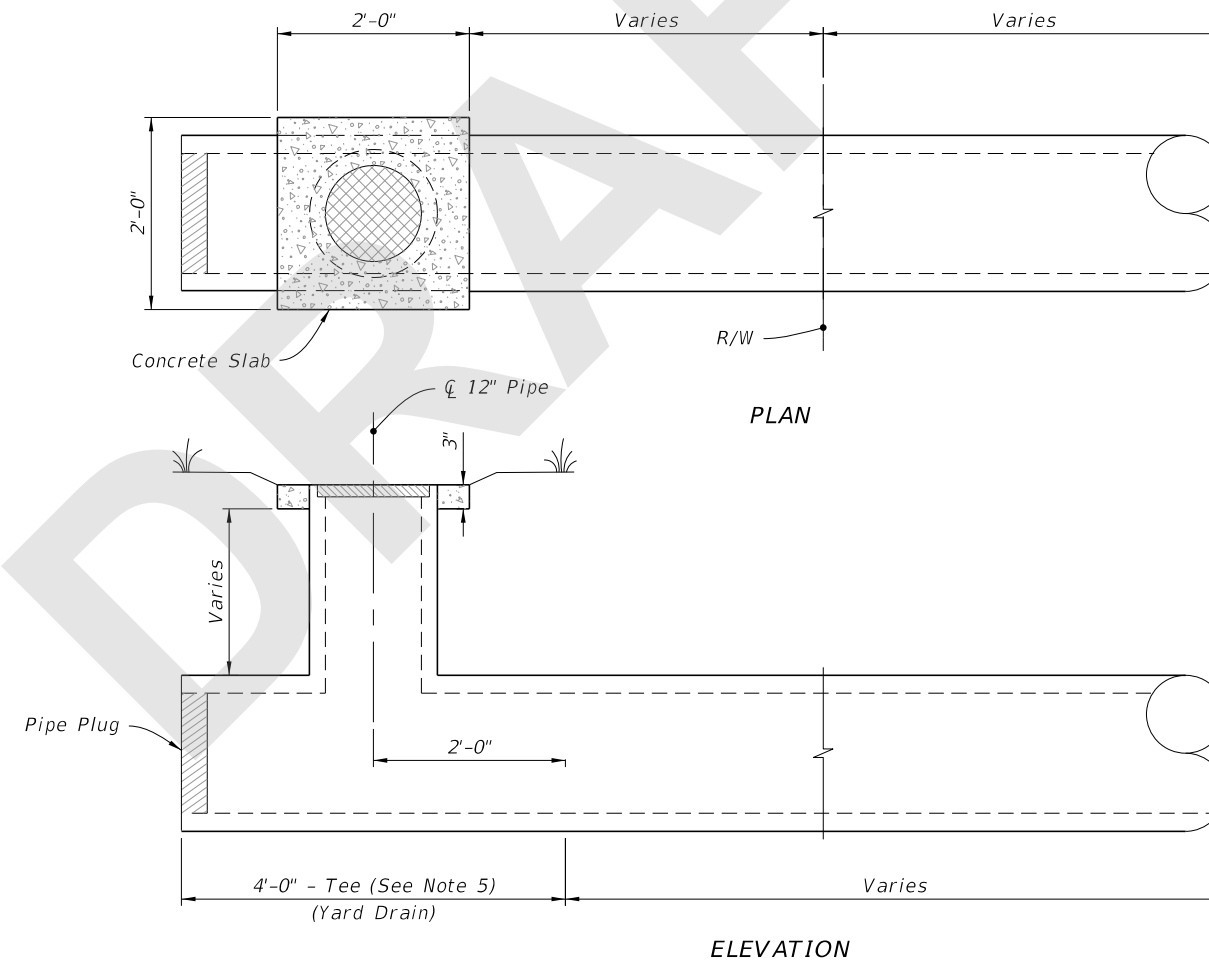
1. Construct at locations as directed by the Engineer.
2. Use either cast iron pipe or PVC rigid conduit, U.L. listed for direct sunlight exposure, Schedule 40.



SHALLOW DITCHES

NOTES:


1. Tee will be either concrete or PVC, 15"x15"x12".
2. Grate will have diameter of 14 1/4", 2 1/2" thick, minimum 45 square inches flow area, and be light duty cast iron in accordance Specification 962.



YARD DRAINS

SHALLOW DITCHES AND YARD DRAINS

8/28/2020 8:54:35 AM

LAST REVISION 11/01/20	REVISION	DESCRIPTION:	 FY 2021-22 STANDARD PLANS	BACK OF SIDEWALK DRAINAGE	INDEX 425-060	SHEET 4 of 4
---------------------------	----------	--------------	-------------------------------------------------------------------------------------------------------------------------------	----------------------------------	-------------------------	------------------------