
ORIGINATION FORM

Proposed Revisions to a Standard Plans Index
(Please provide all information — Incomplete forms will be returned)

Contact Information:

Date: January 27, 2020
Originator: Tim Holley
Phone: (850) 414-4117
Email: Tim.Holley@dot.state.fl.us

Standard Plans:

Index Number: 425-023
Sheet Number (s): ALL
Index Title: Curb Inlet Type 8

Summary of the changes:

Reorganized Index, Added additional Sheet.
Sheet 1: General Notes
Sheet 2: Details

Commentary / Background:

Reorganized Details and Sheets to declutter Index. Moved information from detail callouts to Notes in order to decrease clutter of the drawing. Moved Design Notes to SPI.

Other Affected Offices / Documents: (Provide name of person contacted)

Yes	No	
<input type="checkbox"/>	<input type="checkbox"/>	Other Standard Plans –
<input type="checkbox"/>	<input type="checkbox"/>	FDOT Design Manual –
<input type="checkbox"/>	<input type="checkbox"/>	Basis of Estimates Manual –
<input type="checkbox"/>	<input type="checkbox"/>	Standard Specifications –
<input type="checkbox"/>	<input type="checkbox"/>	Approved Product List –
<input type="checkbox"/>	<input type="checkbox"/>	Construction –
<input type="checkbox"/>	<input type="checkbox"/>	Maintenance –

Origination Package Includes:

(Email or hand deliver package to Rick Jenkins)

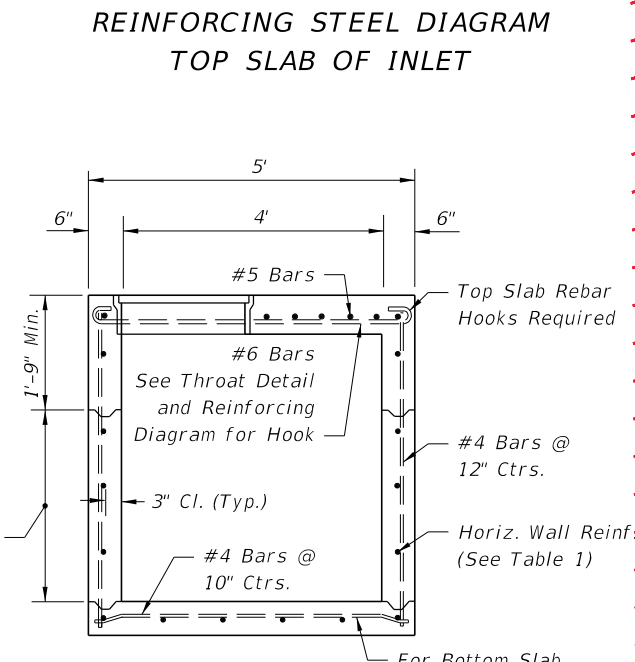
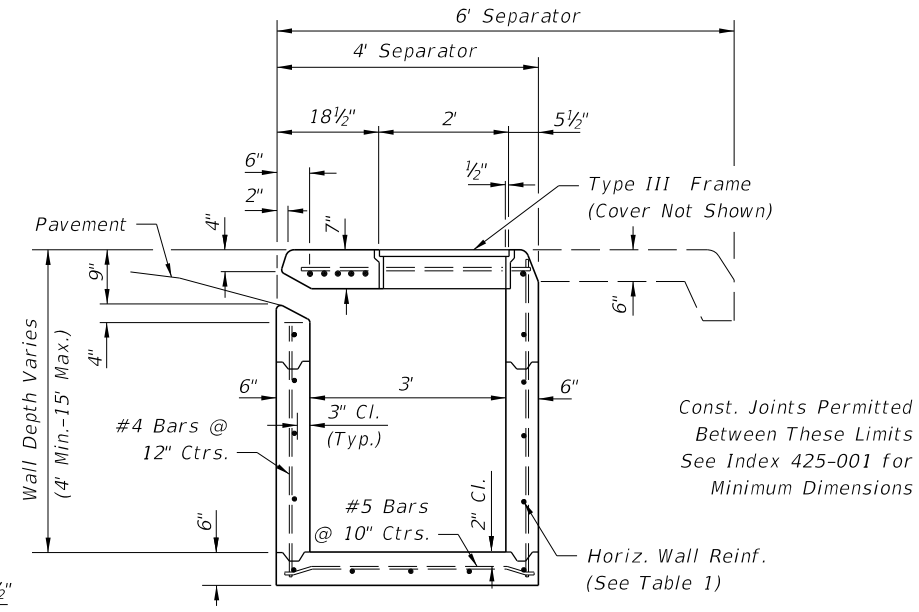
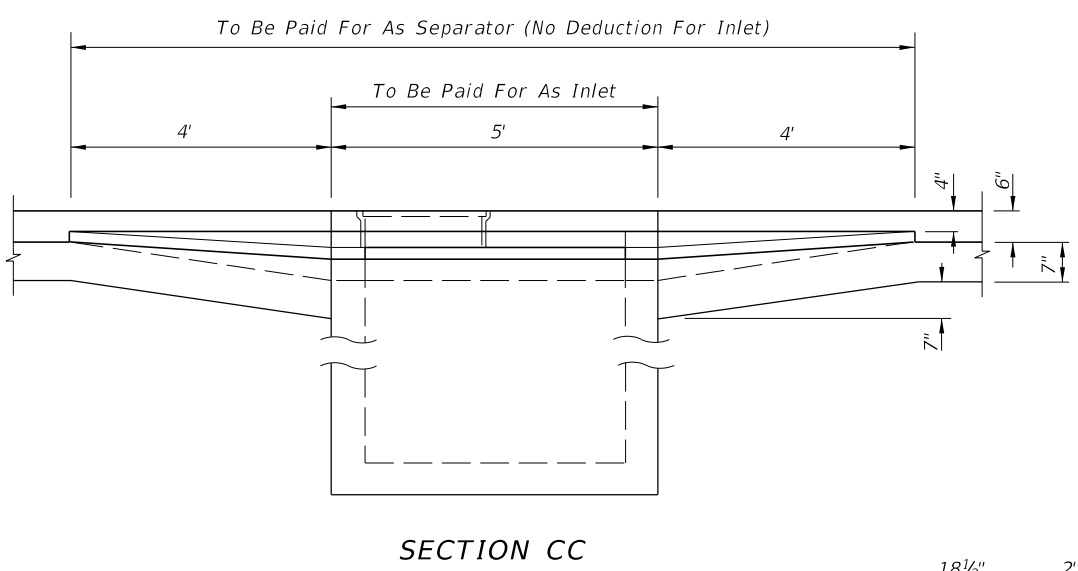
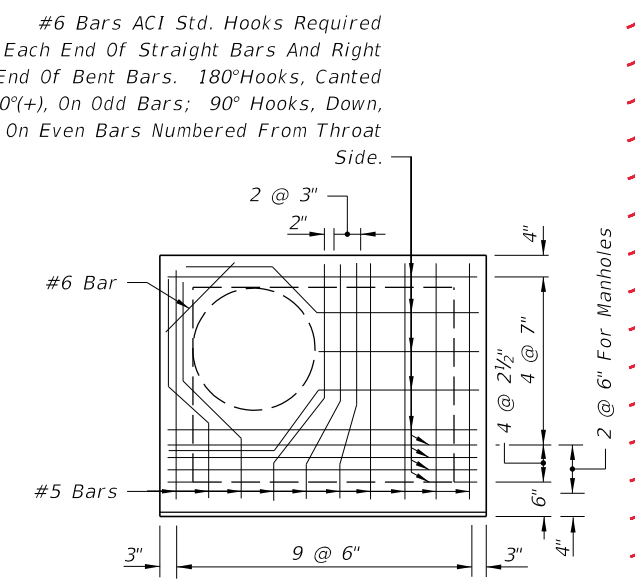
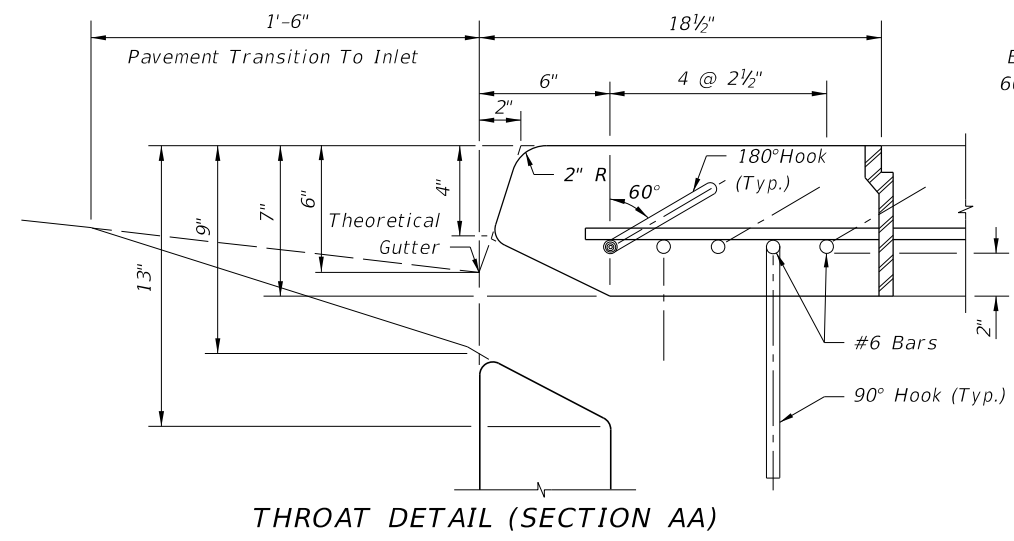
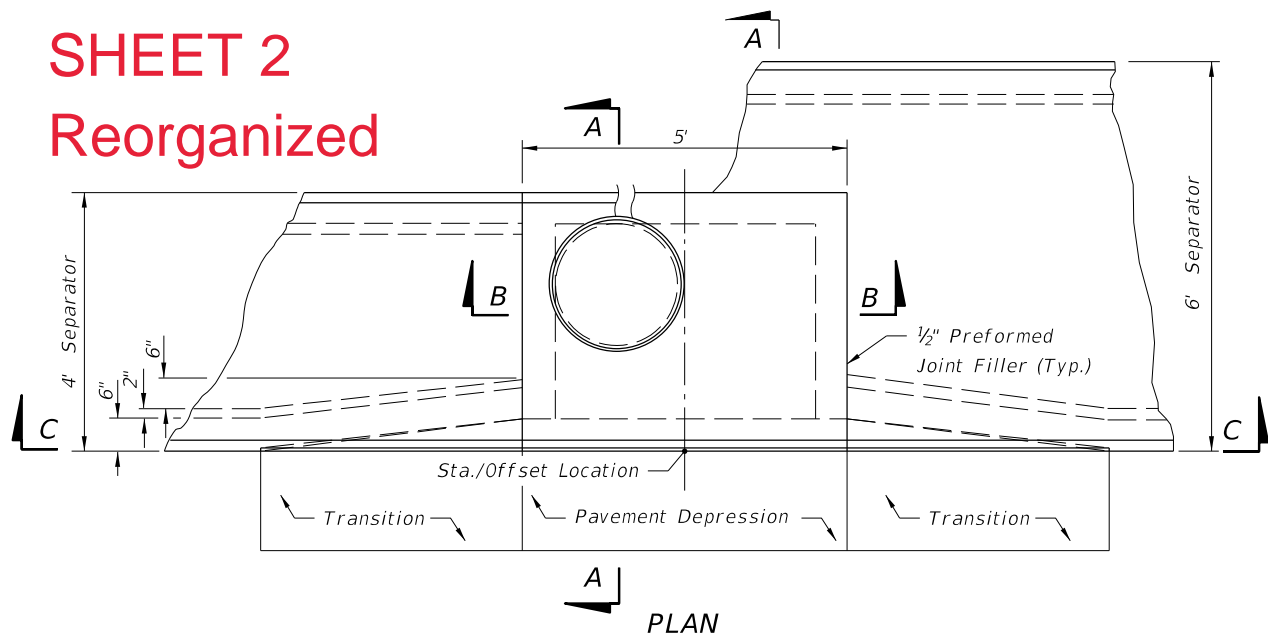
Yes	N/A	
<input checked="" type="checkbox"/>	<input type="checkbox"/>	Redline Mark-ups
<input checked="" type="checkbox"/>	<input type="checkbox"/>	Proposed Standard Plan Instruction (SPI)
<input type="checkbox"/>	<input type="checkbox"/>	Revised SPI
<input type="checkbox"/>	<input type="checkbox"/>	Other Support Documents

Implementation:

Design Bulletin (Interim)
 DCE Memo
 Program Mgmt. Bulletin
 FY-Standard Plans (Next Release)

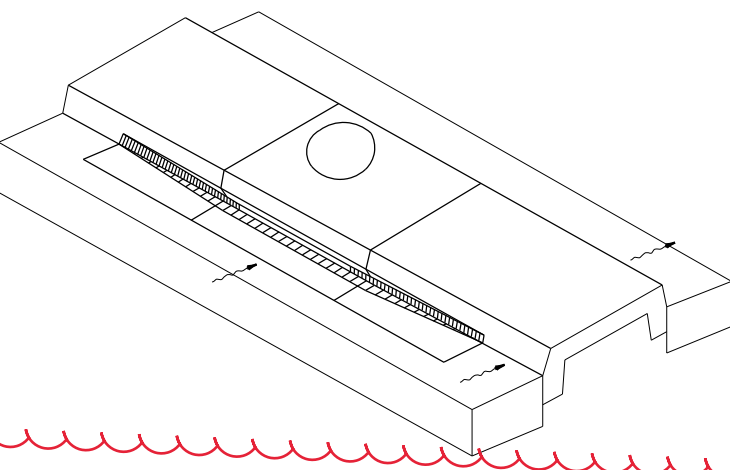
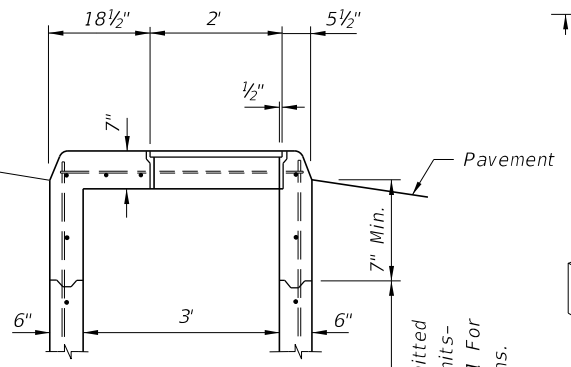
Contact the Roadway Design Office for assistance in completing this form

SHEET 2 Reorganized



GENERAL NOTES

1. This inlet is to be used only in Traffic Separators Types IV and V; or, in separators constructed with Curbs Types D and F and sidewalk paving, which cannot accommodate Inlets Types 1, 2, 3, 4, 5 or 6. Use of this inlet on the through traffic side of the separator should be avoided in medians constructed with Curb Type D (Curb inlets Types 9 or 10 are recommended). Locate inlet outside of pedestrian way. **SPI**
2. All reinforcing to be Grade 60 bars with 2" min. cover unless otherwise shown. See Index 425-001 for equivalent area of welded wire fabric. Cut or bend bars out of way of pipe when necessary. Bars to clear pipe by 1 1/2".
3. Recommended maximum pipe sizes are 24" longitudinal and 30" transverse. For larger pipe, inlets with Alt. B bottoms, Index 425-010 are recommended. **Updated**
4. For supplemental details and notes see Index 425-001.
5. All dimensions are for both precast and cast-in-place inlets unless otherwise shown.
6. Inlet to be paid for under the contract unit price for Inlets (Curb) (Type 8), Each. **Spec**



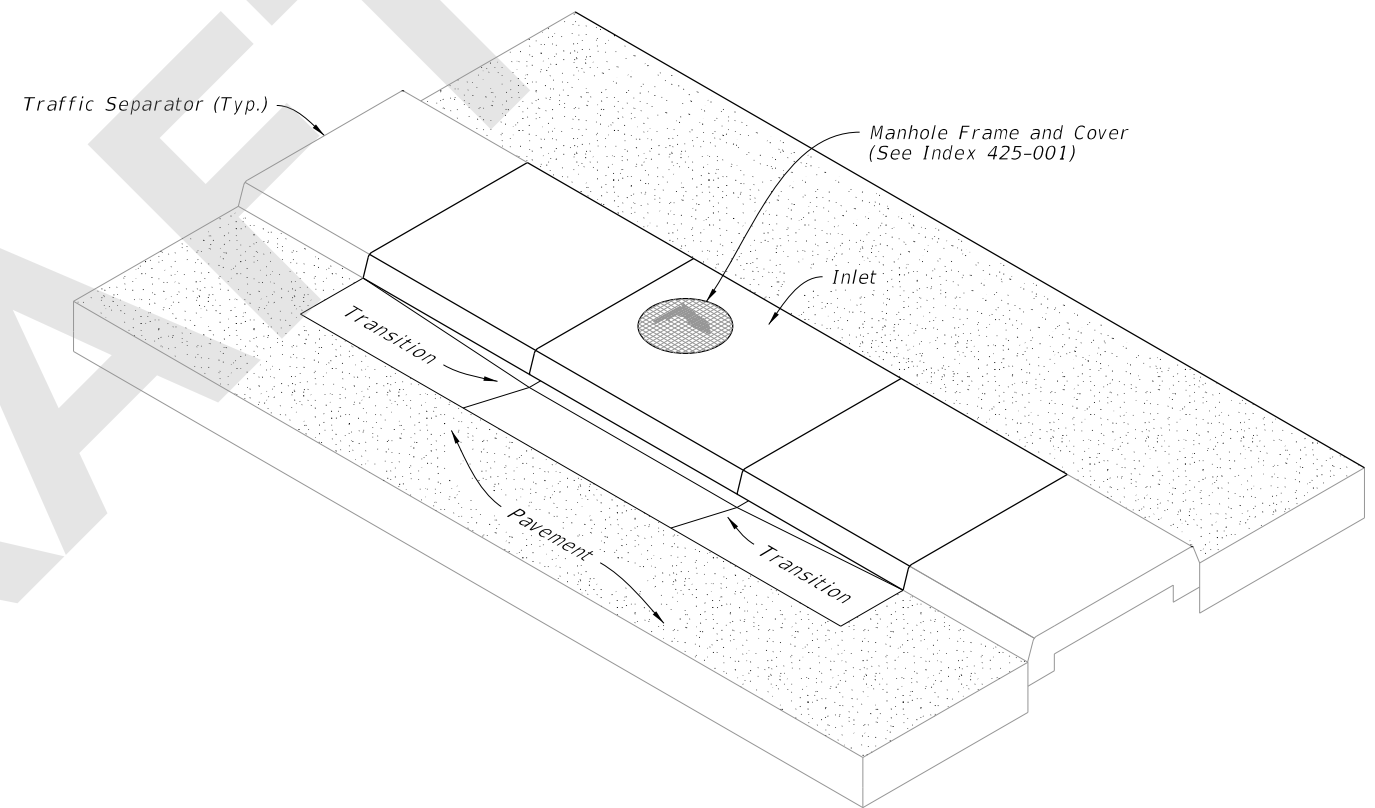
HORIZONTAL WALL REINFORCING SCHEDULE (TABLE 1)

WALL DEPTH	SCHEDULE	AREA (in. ² /ft.)	MAX. SPACING BARS	WWF
0' -6'	A12	0.20	12"	8"
6' -10'	A6	0.20	6"	5"
10'-13'	A4	0.20	4"	3"
10'-15'	B5.5	0.24	5 1/2"	5"

9/18/2018 2:37:01 PM

GENERAL NOTES:

1. Work this Index with Index 425-001 and Index 425-010.
2. Use Grade 60 reinforcing bars with 2" minimum cover unless otherwise shown. See Index 425-001 for equivalent area of welded wire fabric. Cut or bend bars out of way of pipe when necessary. Bars to clear pipe by 1½".
3. Recommended maximum pipe sizes are 24" longitudinal and 30" transverse. For larger pipe, inlets with Alt. B bottoms, Index 425-010 is recommended.
4. All dimensions are for both precast and cast-in-place inlets unless otherwise shown.

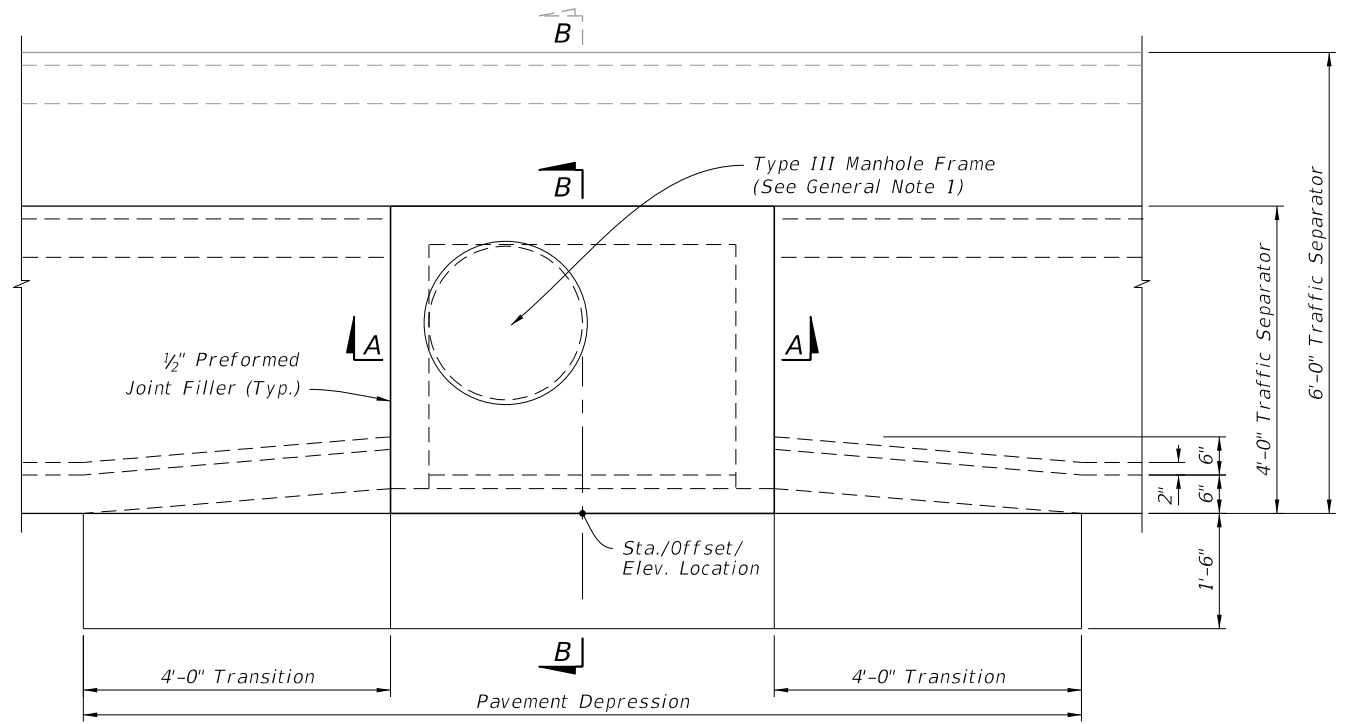


DRAFT

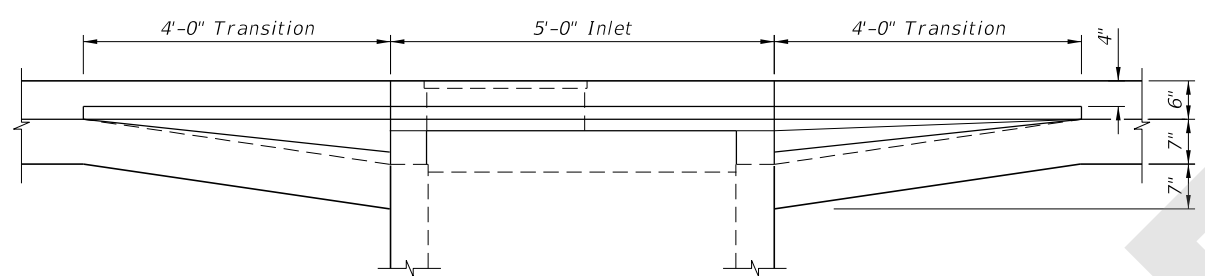
CURB INLET TYPE 8
(Bottom Not Shown)

8/7/2020 7:02:11 AM

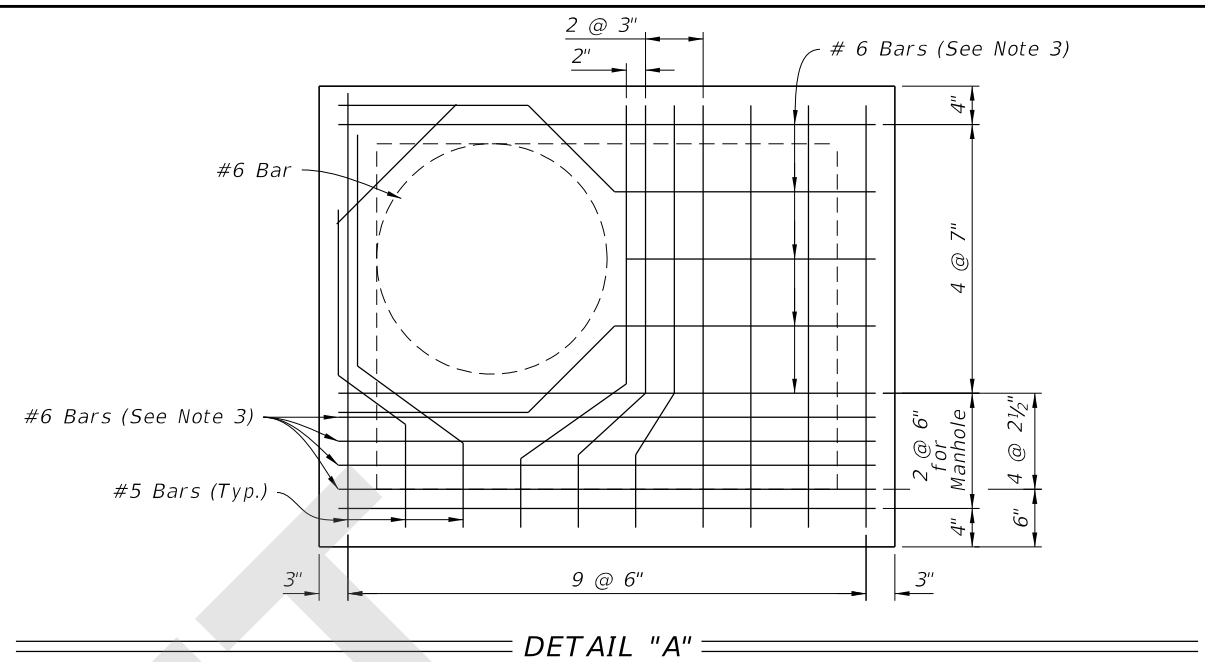
LAST REVISION 11/01/20	REVISION	DESCRIPTION:	 FY 2021-22 STANDARD PLANS	CURB INLET TYPE 8	INDEX 425-023	SHEET 1 of 2
------------------------------	----------	--------------	----------------------------------	-------------------	------------------	-----------------



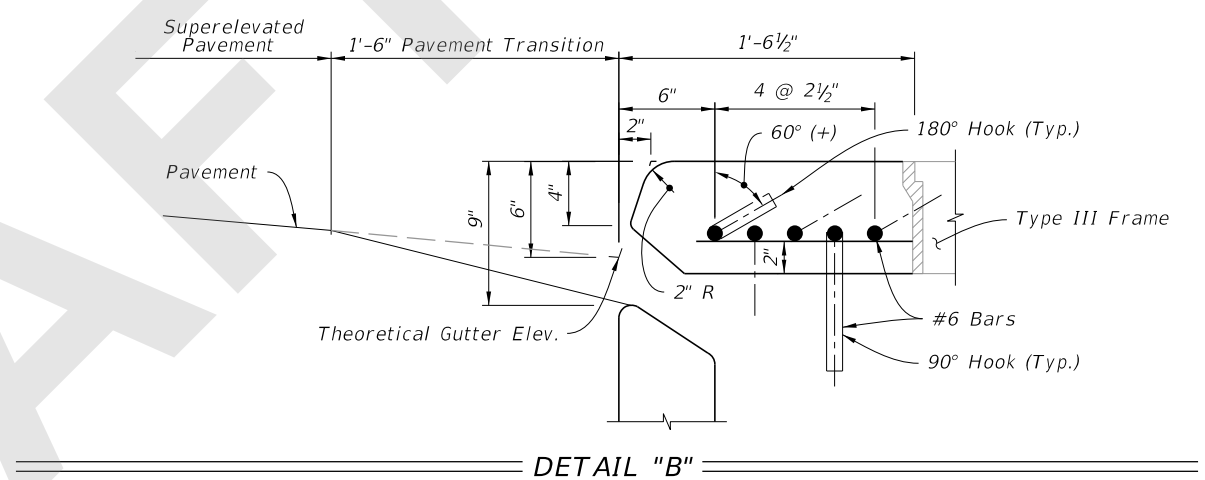
PLAN



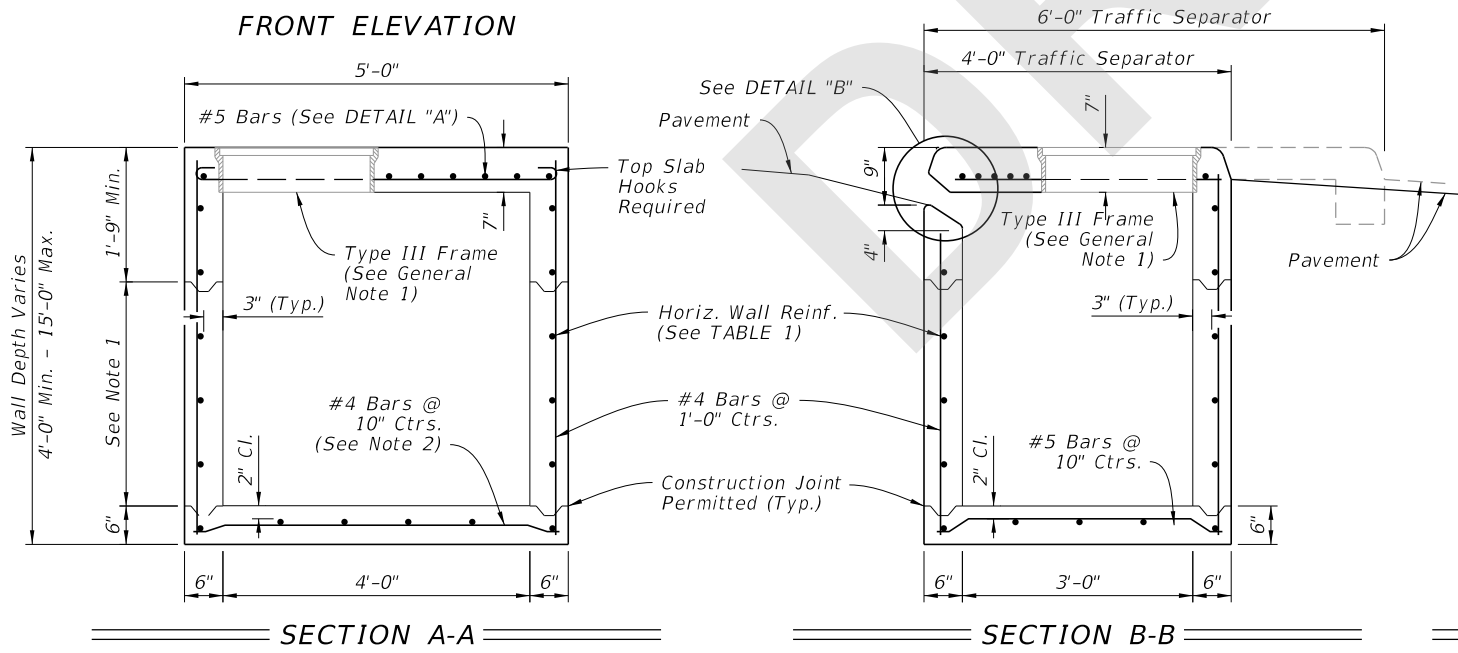
FRONT ELEVATION



DETAIL "A"

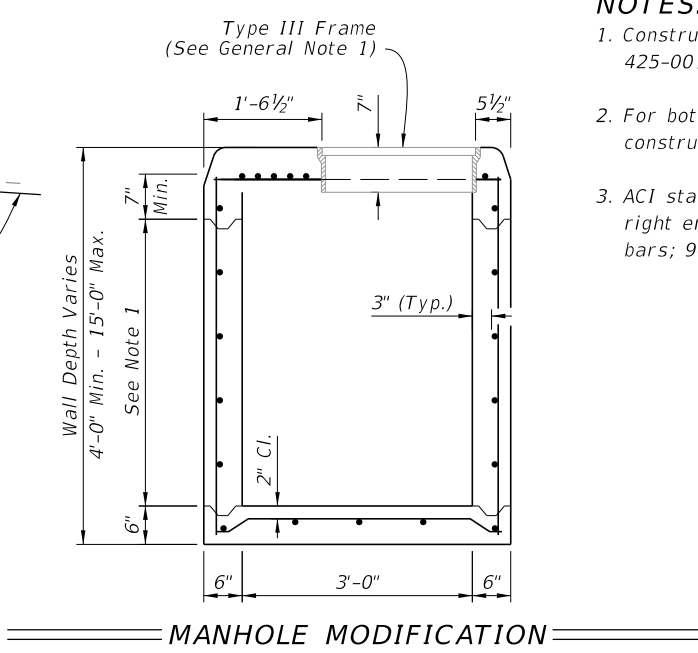


DETAIL "B"



SECTION A-A

SECTION B-B



MANHOLE MODIFICATION

NOTES:

1. Construction joints permitted between these limits. See Index 425-001 for minimum dimensions.
2. For bottom slab rebar embedment options, see optional construction joints, Index 425-001.
3. ACI standard hooks required each end of straight bars and right end of bent bars: 180° hooks, canted 60°(+), on odd bars; 90° hooks, down, on even bars numbered from throat side.

WALL DEPTH	SCHEDULE	AREA (in. ² /ft.)	MAX. SPACING	
			BARS	WWR
0' - 6'	A12	0.20	12"	8"
6' - 10'	A6	0.20	6"	5"
10' - 13'	A4	0.20	4"	3"
10' - 15'	B5.5	0.24	5½"	5"

8/7/2020 7:02:13 AM

LAST REVISION 11/01/20	DESCRIPTION:
---------------------------	--------------

**FY 2021-22
STANDARD PLANS**

CURB INLET TYPE 8

INDEX 425-023	SHEET 2 of 2
------------------	-----------------