
Index 425-060 Back of Sidewalk Drainage

ORIGINATION

Date: 11-1-2019

Name: Rick Jenkins

Phone: 850 414-4355

Email: rick.jenkins@dot.state.fl.us

COMMENTARY

Reorganized Details and Sheets to declutter Index. Moved information from detail callouts to Notes in order to decrease clutter of the drawing.

COMMENTS AND RESPONSES

BLACK = Internal Review Comments **RED** = Standard Plans Response

Name: Jeffrey Cicerello

Date: 8-21-20

COMMENT: Sheet 3, Table 1 widths: Considerations should be made for wider wall limits due to slope tie-in with adjacent sidewalk. Current worst-case scenario of 4'-6" depth (2'-6" max + 24" diameter pipe) would require 6'-9" width to meet the back of sidewalk elevation at 1:1.5 slope with the sod option. Similar with other pipe diameters.

RESPONSE: These are values that were included in the existing index. This will be further investigated for the next cycle of Standard Plans updates.

No change to Index at this time

Date: 8-27-20

Name: Kevin Stewart

Date: 8-24-20

COMMENT: Can we remove the pipe from the back of sidewalk inlet standard plan? Pipes aren't shown on other inlets and I mostly see the pipe running longitudinally and not laterally as shown in the index, 425-060.

RESPONSE: Agreed.

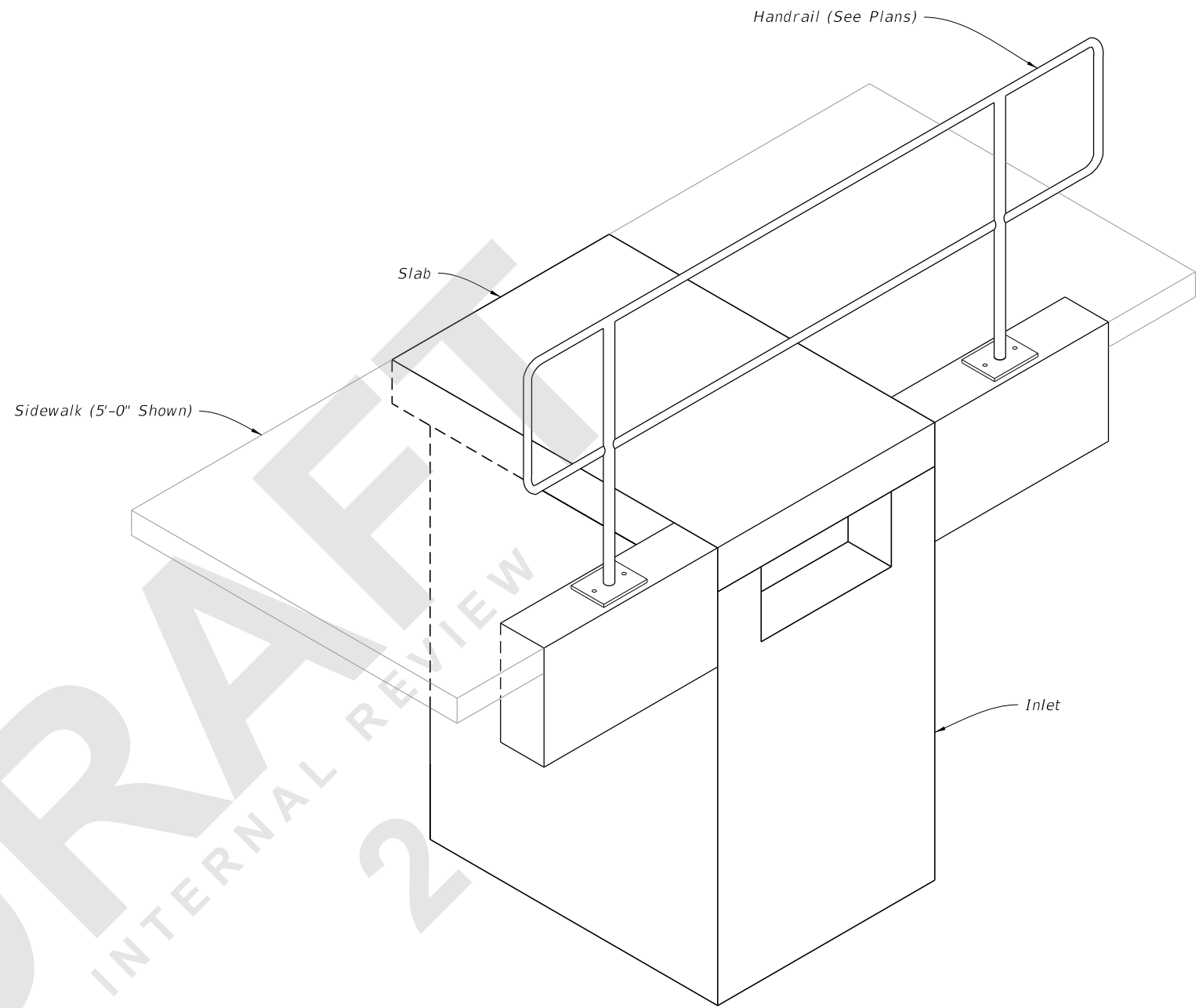
Change made to Index: The pipes were deleted from the inlet details on sheet 2 and a note was added that states "Pipe connection not shown".

Date: 8-27-20

GENERAL NOTES:

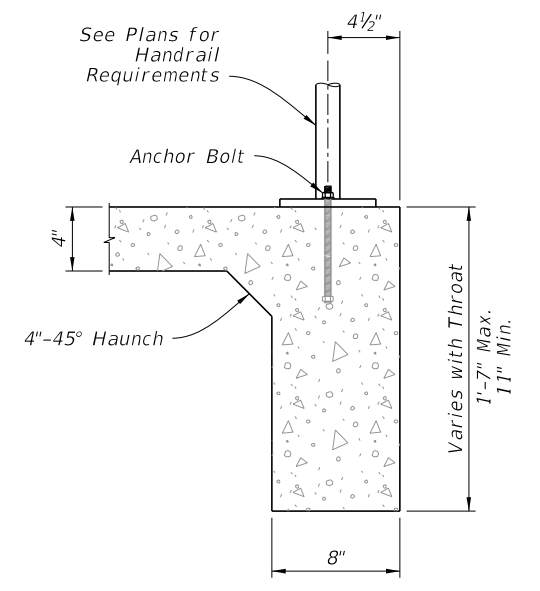
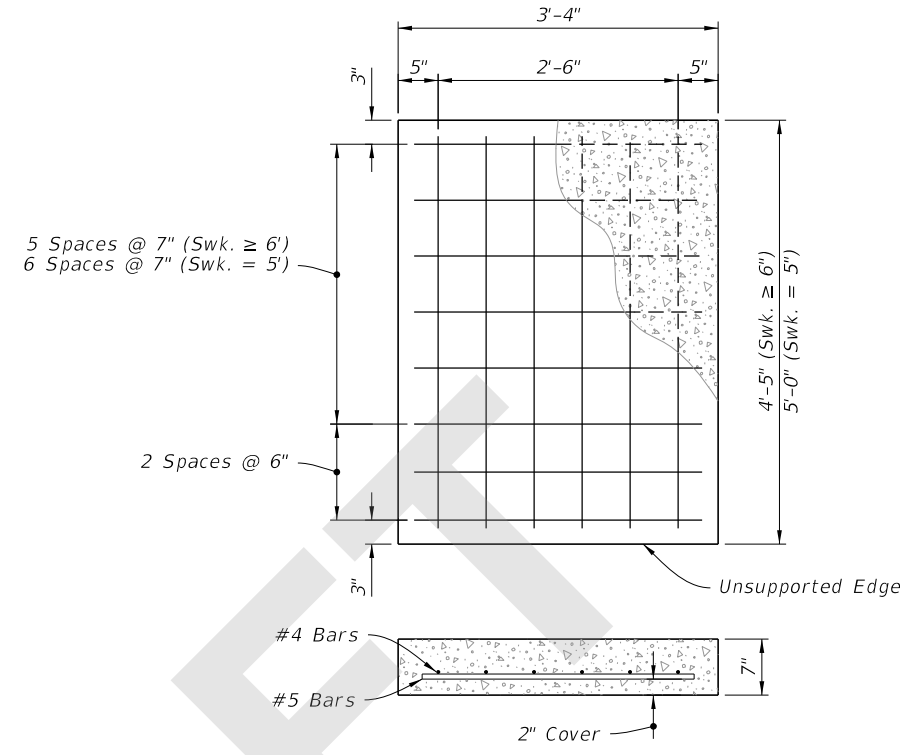
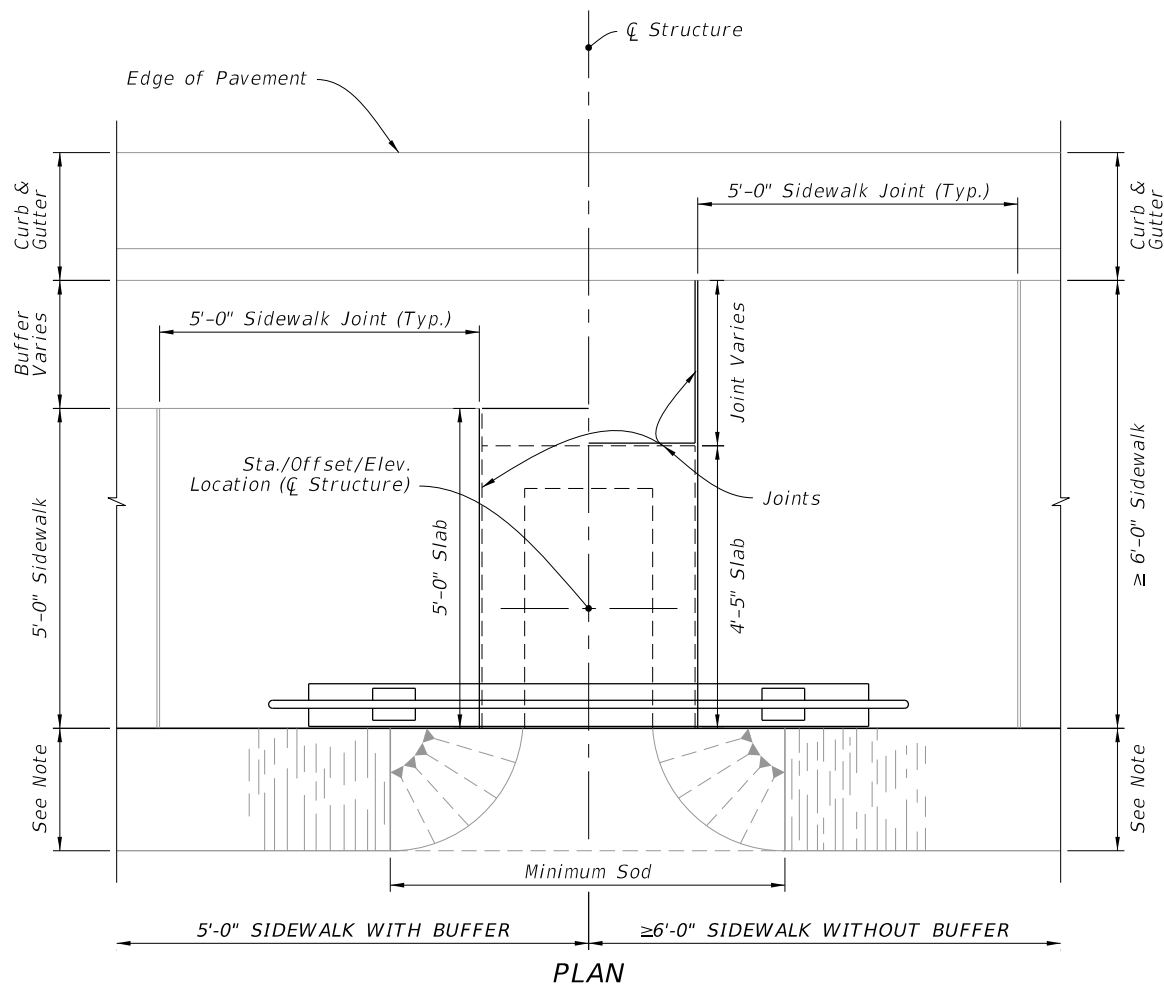
1. Work this Index with Index 425-052.
2. Quantities are for informational and estimating purposes only.

TABLE OF CONTENTS:	
Sheet	Description
1	General Notes and Contents
2	Inlet Type C (Modified)
3	Special Concrete Endwall
4	Shallow Ditches and Yard Drains



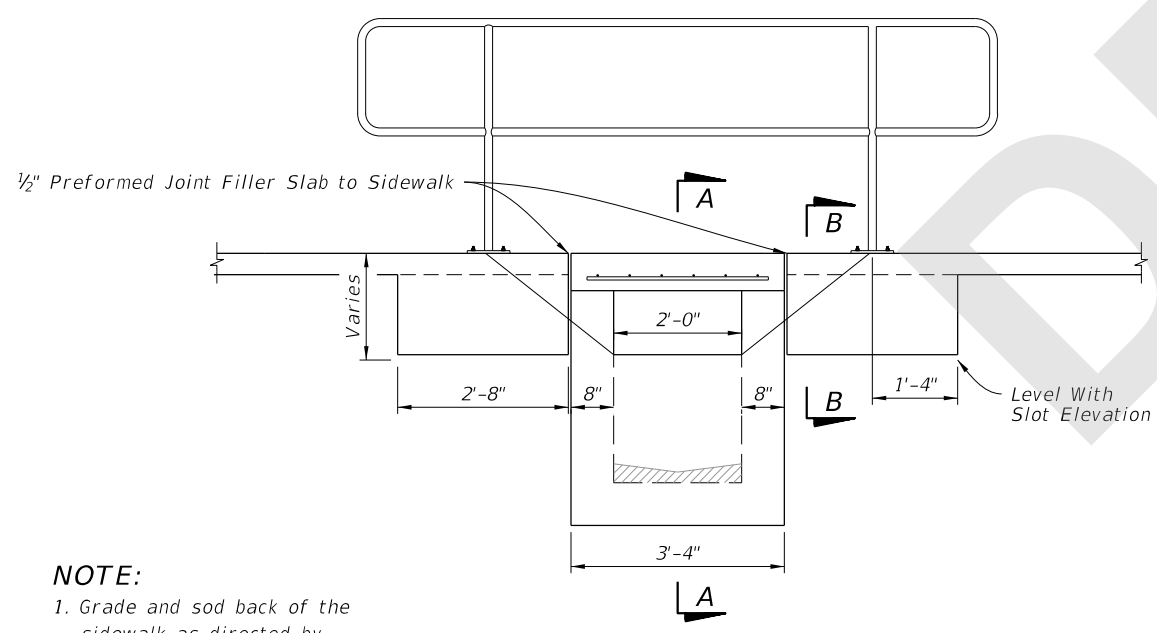
TYPE C (MODIFIED) INLET
(Pipe Connection Not Shown)

8/28/2020 8:54:21 AM

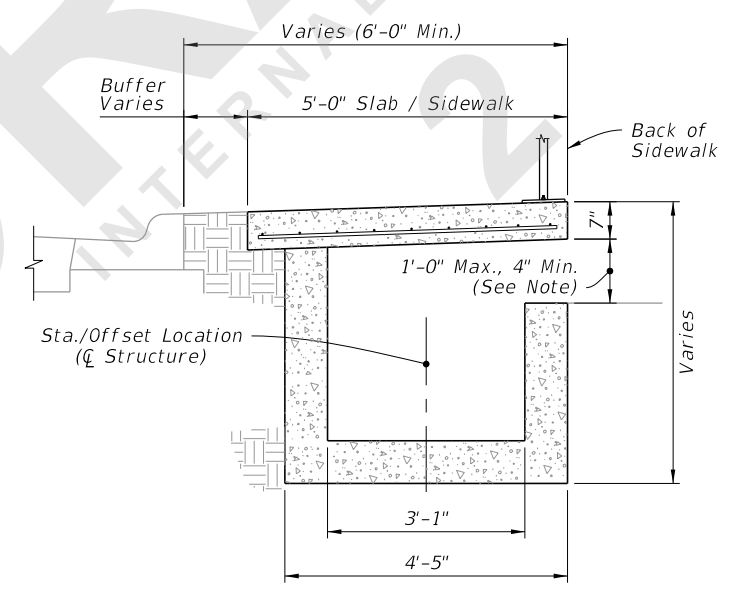


SLAB REINFORCEMENT

SECTION B-B

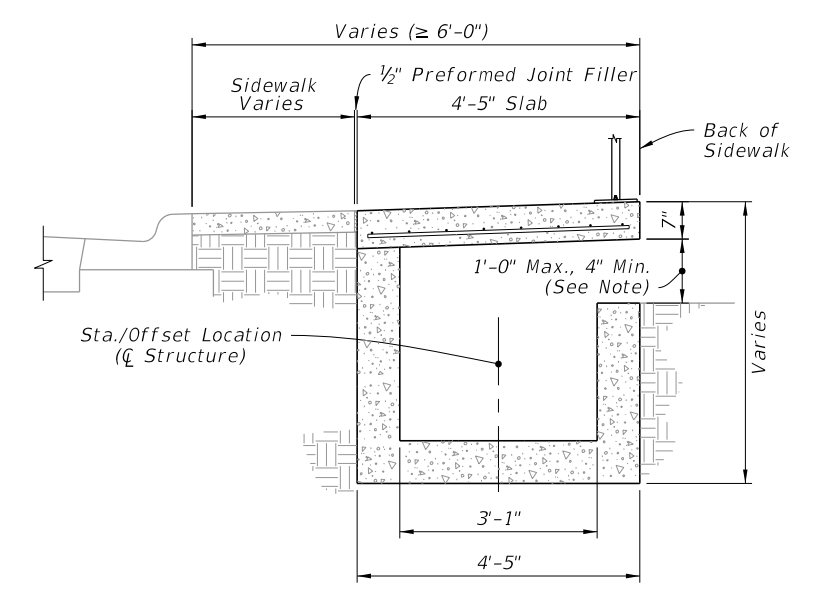


ELEVATION



5'-0" SIDEWALK WITH BUFFER

SECTION A-A



≥6'-0" SIDEWALK WITHOUT BUFFER

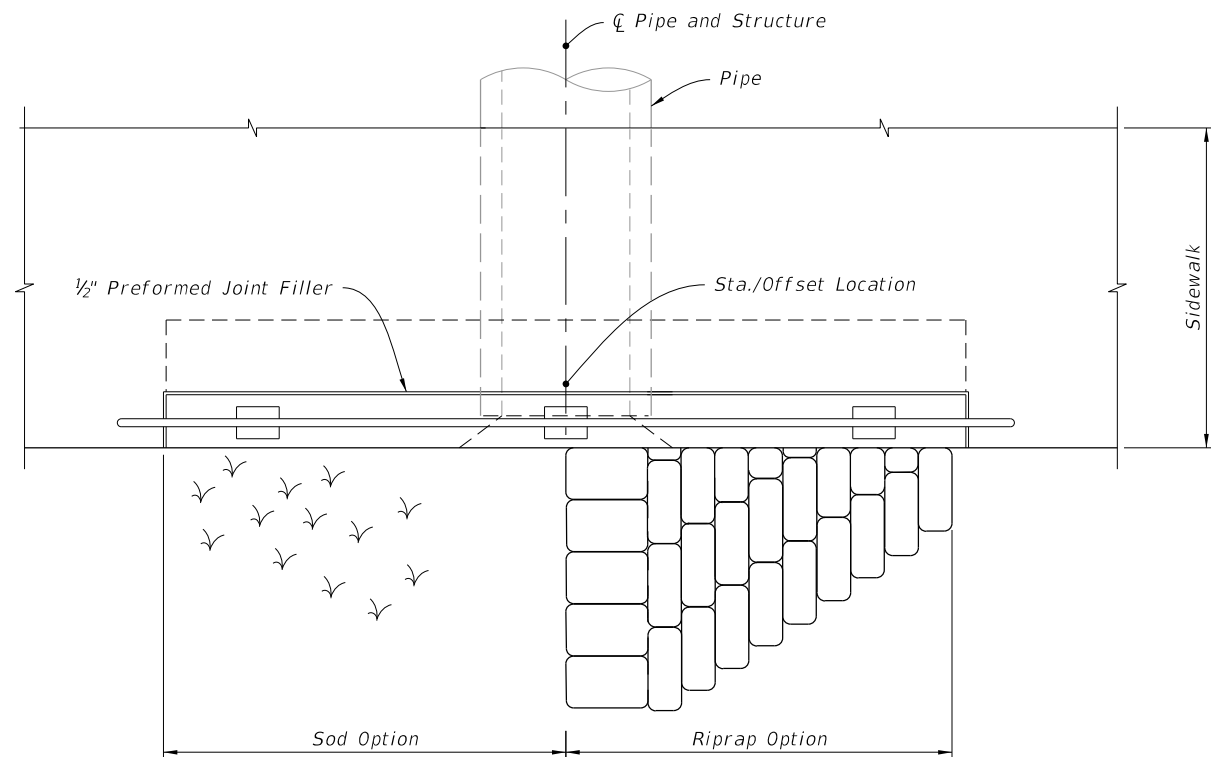
SECTION A-A

TYPE C INLET (MODIFIED)

NOTE:
 1. Grade and sod back of the sidewalk as directed by the Engineer.
 2. Pipe connection not shown.

8/28/2020 8:54:25 AM

LAST REVISION 11/01/20	DESCRIPTION:	 FY 2021-22 STANDARD PLANS	BACK OF SIDEWALK DRAINAGE	INDEX 425-060	SHEET 2 of 4
---------------------------	--------------	--	---------------------------	------------------	-----------------

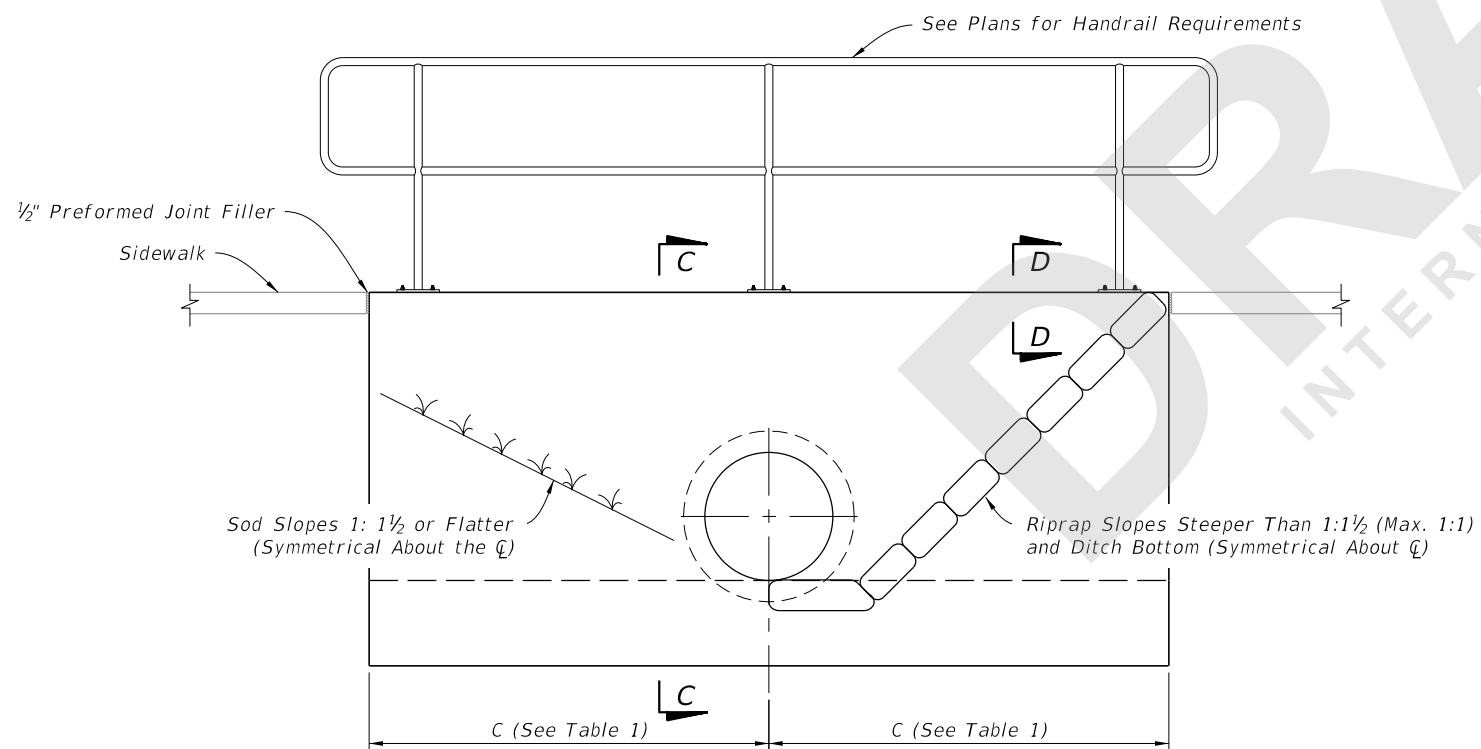


PLAN

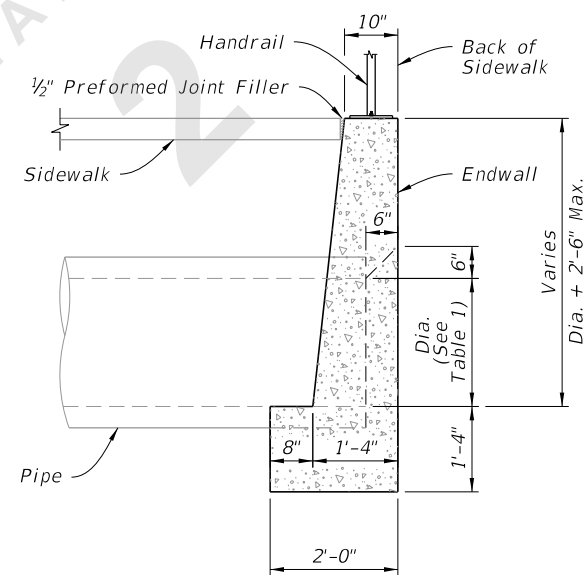
NOTES:

1. Grading back of sidewalk as directed in the Plans.
2. Concrete quantities shown are for maximum wall heights and for information only.
3. Riprap quantities are for informational and estimating purposes only.

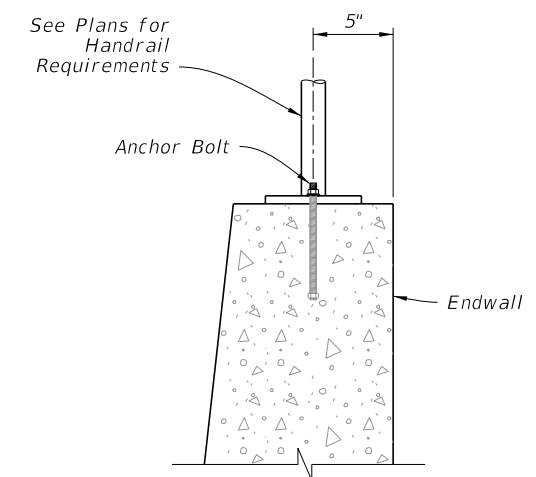
Pipe Size Dia. (in)	C	Concrete Class I (CY)	Sand-Cement Riprap (CY)
15	4'-9"	2.3	1.1
18	5'-3"	2.6	1.3
24	6'-3"	3.3	1.8



ELEVATION



SECTION C-C



SECTION D-D

SPECIAL CONCRETE ENDWALL

8/28/2020 8:54:28 AM

LAST REVISION	DESCRIPTION:
11/01/20	



FY 2021-22
STANDARD PLANS

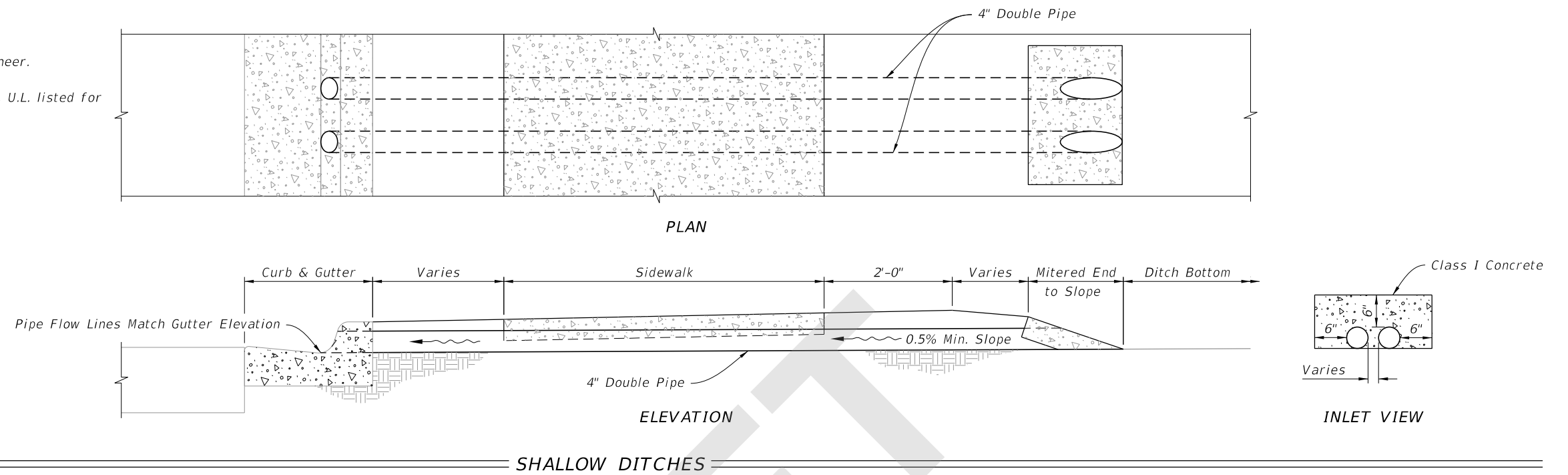
BACK OF SIDEWALK DRAINAGE

INDEX
425-060

SHEET
3 of 4

NOTES:

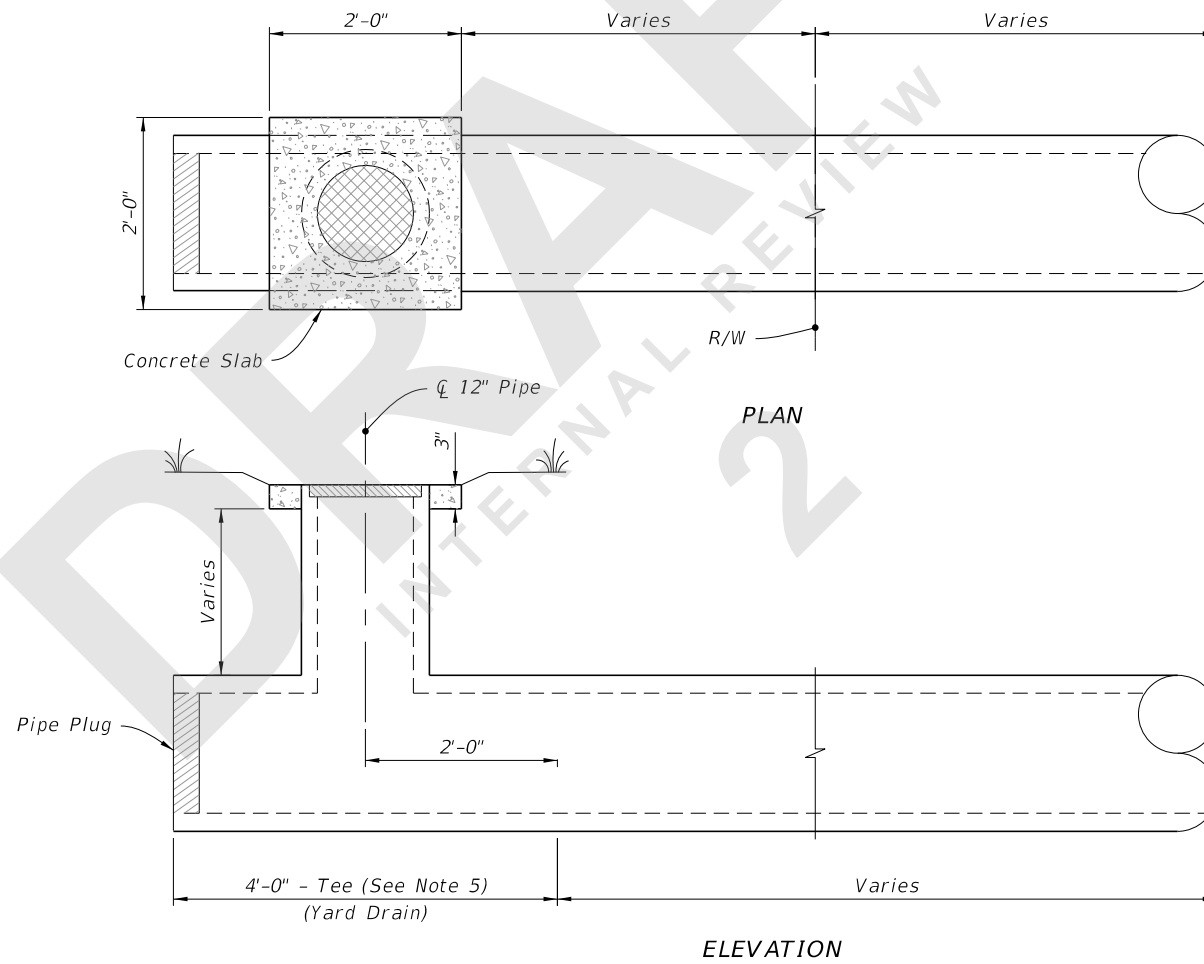
1. Construct at locations as directed by the Engineer.
2. Use either cast iron pipe or PVC rigid conduit, U.L. listed for direct sunlight exposure, Schedule 40.



SHALLOW DITCHES

NOTES:


1. Tee will be either concrete or PVC, 15"x15"x12".
2. Grate will have diameter of 14 1/4", 2 1/2" thick, minimum 45 square inches flow area, and be light duty cast iron in accordance Specification 962.



YARD DRAINS

SHALLOW DITCHES AND YARD DRAINS

8/28/2020 8:54:35 AM

LAST REVISION 11/01/20	REVISION	DESCRIPTION:	 FY 2021-22 STANDARD PLANS	BACK OF SIDEWALK DRAINAGE	INDEX 425-060	SHEET 4 of 4
---------------------------	----------	--------------	---	---------------------------	------------------	-----------------