

# ORIGINATION FORM

Proposed Revisions to a Standard Plans Index  
(Please provide all information – Incomplete forms will be returned)

## Contact Information:

Date: March 14, 2019  
Originator: Cheryl Hudson  
Phone: (850) 414-5332  
Email: cheryl.hudson@dot.state.fl.us

## Standard Plans:

Index Number: 700-110  
Sheet Number (s): 1  
Index Title: Mounting Exit Panels to Signs

## Summary of the changes:

Delete 30 degree cut of Z mounting beams and add bolt diameters to drawing (See Index 700-030).

## Commentary / Background:

Started with a question from Mike rice from RoadMark signs, in the redrawing of the index the bolt diameters were not shown (is covered by reference to 700-030) and the question on why we have the 30 degree cut ends. May have been legacy from round pipe supports, not structurally necessary.

## Other Affected Offices / Documents: (Provide name of responsible personnel)

Yes	No	
<input type="checkbox"/>	<input type="checkbox"/>	Other Standard Plans –
<input type="checkbox"/>	<input type="checkbox"/>	FDOT Design Manual –
<input type="checkbox"/>	<input type="checkbox"/>	Basis of Estimates Manual –
<input type="checkbox"/>	<input type="checkbox"/>	Standard Specifications –
<input type="checkbox"/>	<input type="checkbox"/>	Approved Product List –
<input type="checkbox"/>	<input type="checkbox"/>	Construction –
<input type="checkbox"/>	<input type="checkbox"/>	Maintenance –

## Origination Package Includes: (Email or hand deliver package to Derwood Sheppard)

Yes	N/A	
<input type="checkbox"/>	<input checked="" type="checkbox"/>	Redline Mark-ups
<input type="checkbox"/>	<input type="checkbox"/>	Proposed Standard Plan Instructions (SPI)
<input type="checkbox"/>	<input type="checkbox"/>	Revised SPI
<input type="checkbox"/>	<input type="checkbox"/>	Other Support Documents

## Implementation:

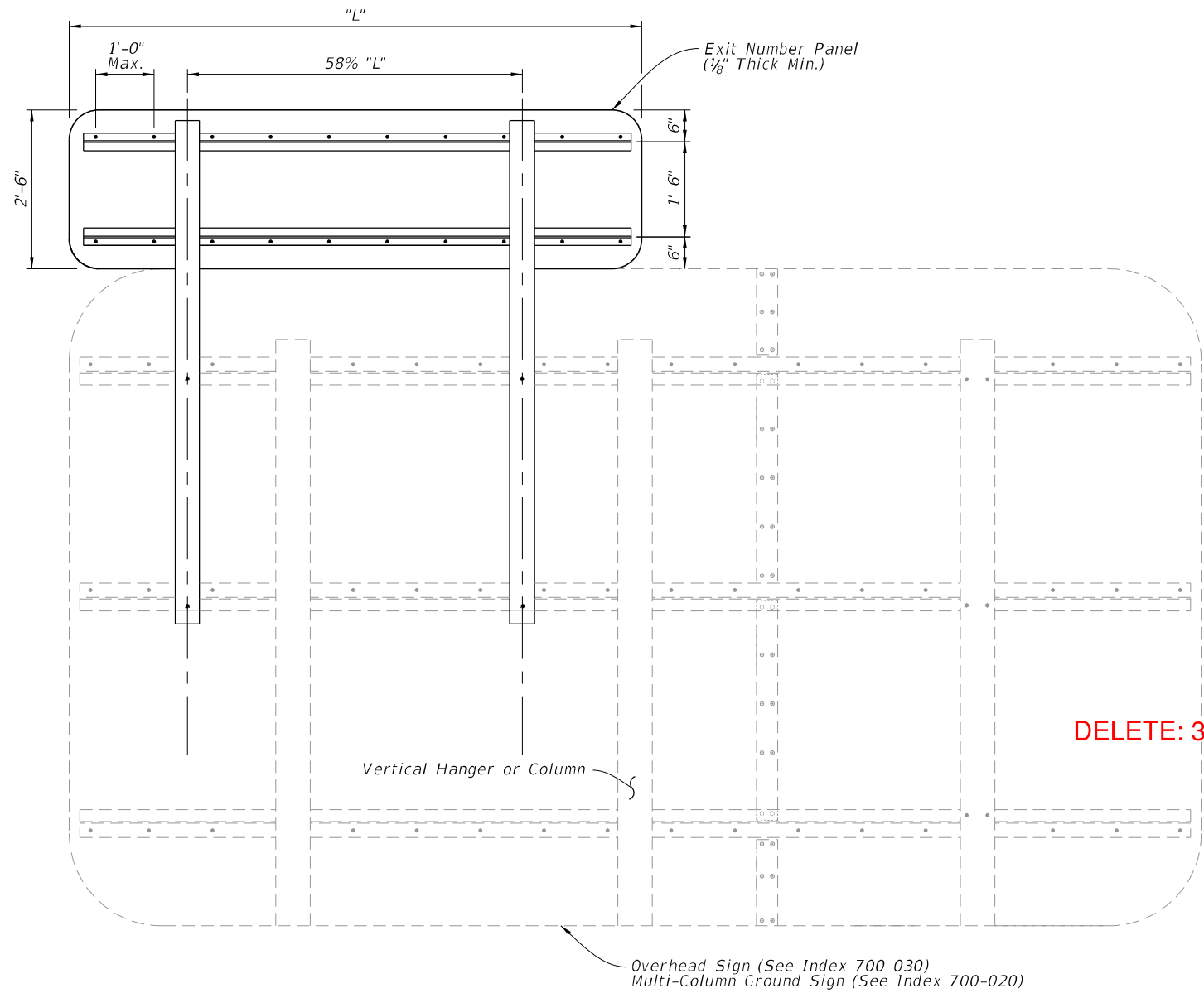
Design Bulletin (Interim)    DCE Memo    Program Mgmt. Bulletin    FY-Standard Plans (Next Release)

Contact the Roadway Design Office for assistance in completing this form

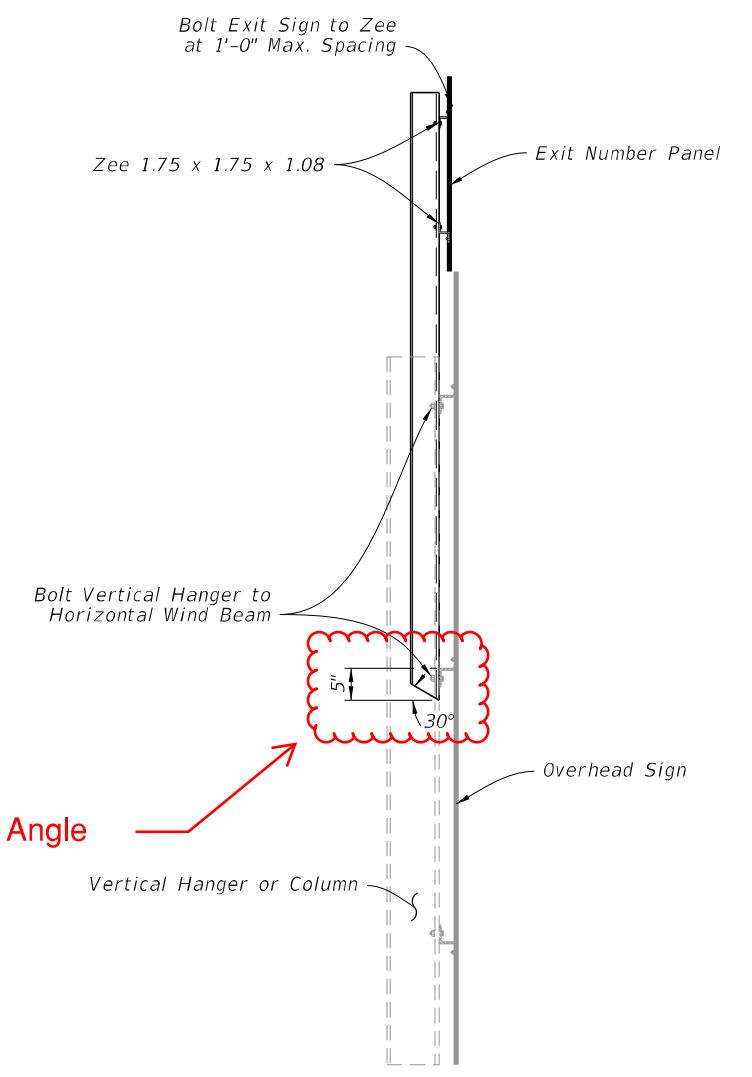
**NOTES:**

1. Work with Index 700-030.
2. Materials (Aluminum):
  - A. Sheets and Plates: ASTM B209 Alloy 6061-T6
  - B. Standard Structural Shapes: ASTM B308 Alloy 6061-T6
  - C. Extruded Shapes: ASTM B221 Alloy 6061-T6
  - D. Bolts, Nuts, and Washers:
    - a. Bolts: ASTM F468 Alloy 2024-T4 with minimum 0.002-Inch-thick anodic coating, chromate sealed
    - b. Washers: ASTM B221 Alloy 2024-T4
    - c. Nuts: ASTM F467 Alloy 6061-T6 or 6262-T9
3. Fabrication:
  - A. See sign layout sheet for dimension "L" and sign face details in the Plans.
  - B. Round all sign corners.
4. For right exits, install the Exit Numbering Panel to the top right side of the Highway Sign.
5. For left exits, install the Exit Numbering Panel to the top left side of the Highway Sign.

← Changed Notes 1 and 2.D



BACK ELEVATION



SIDE ELEVATION

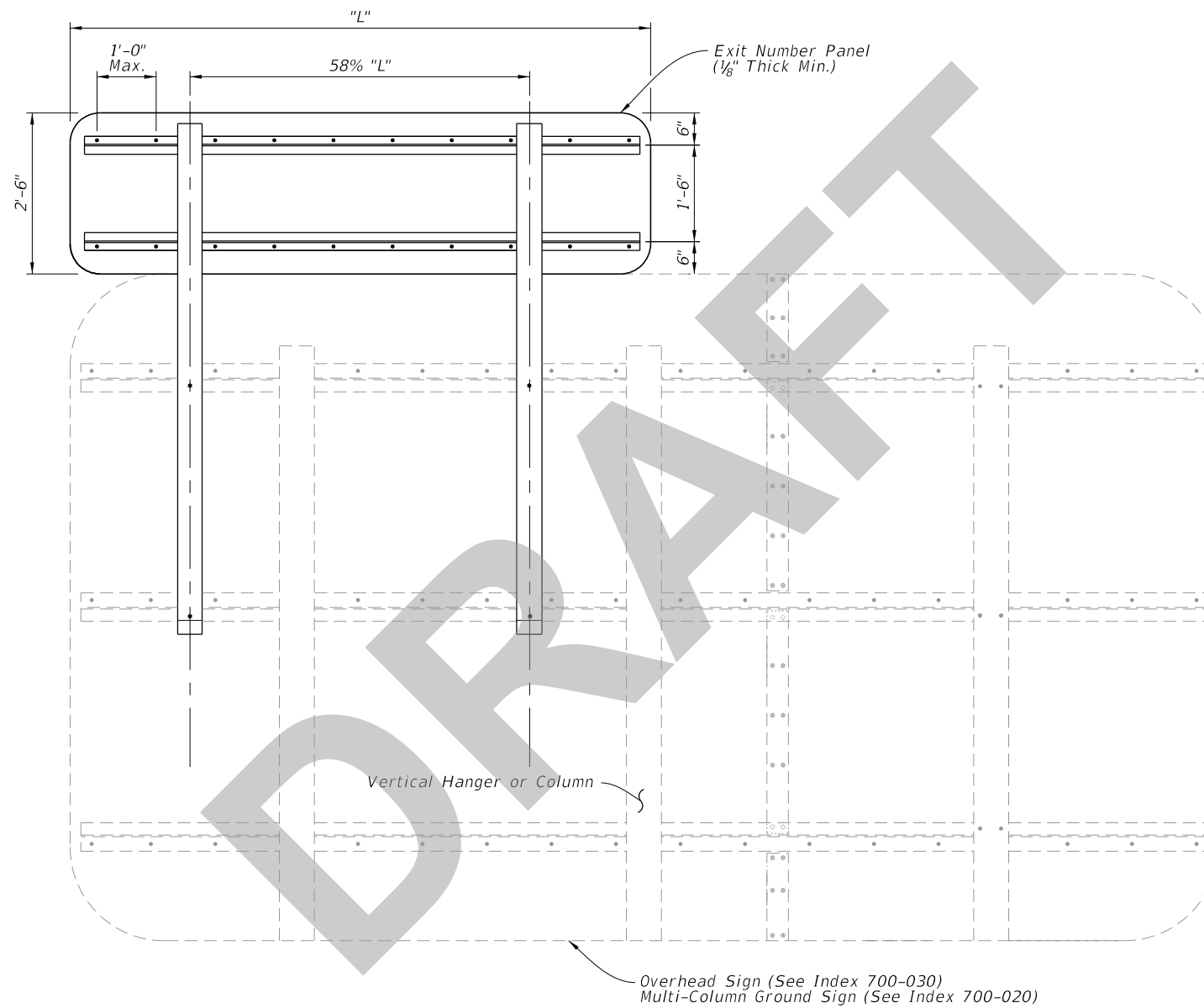
DELETE: 30° Angle

10/18/2018 1:00:47 PM

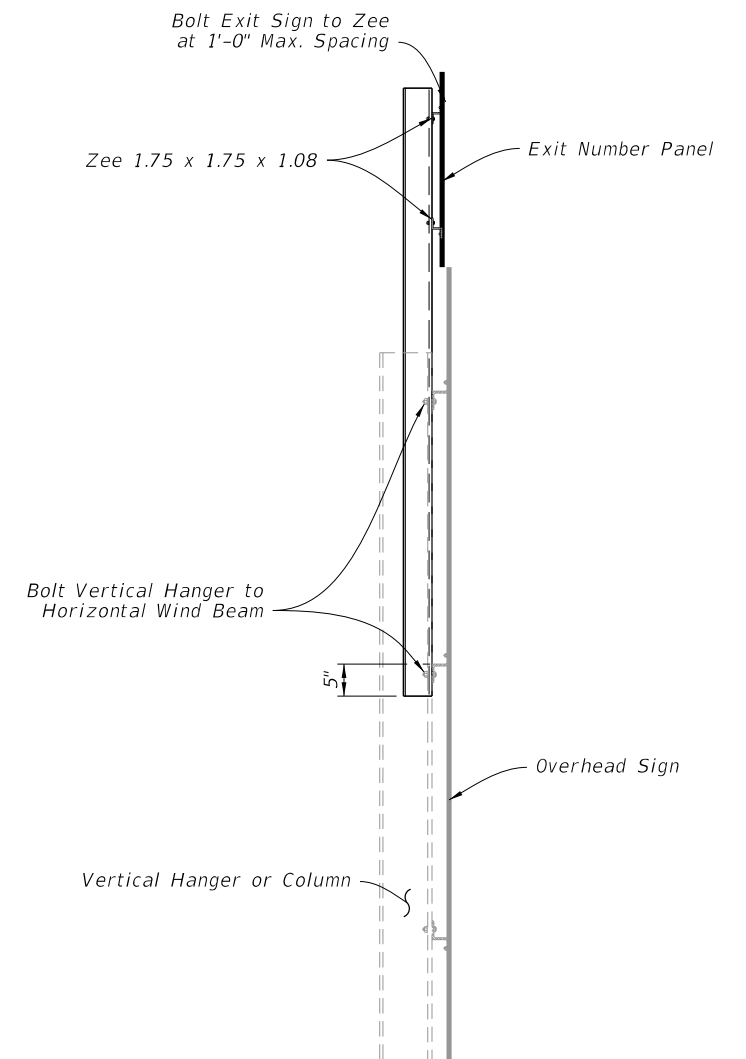
LAST REVISION <del>11/01/18</del> 11/01/19	DESCRIPTION: 11/01/19		FY 2019-20 STANDARD PLANS	MOUNTING EXIT NUMBER PANELS TO SIGNS	INDEX 700-110	SHEET 1 of 1
--	--------------------------	--	------------------------------	--------------------------------------	------------------	-----------------

**NOTES:**

1. Work with Indexes 700-020 and 700-030.
2. Materials (Aluminum):
  - A. Sheets and Plates: ASTM B209 Alloy 6061-T6
  - B. Standard Structural Shapes: ASTM B308 Alloy 6061-T6
  - C. Extruded Shapes: ASTM B221 Alloy 6061-T6
  - D. For Bolts, Nuts, and Washers requirements see Index 700-020 or 700-030.
3. Fabrication:
  - A. See sign layout sheet for dimension "L" and sign face details in the Plans.
  - B. Round all sign corners.
4. For right exits, install the Exit Numbering Panel to the top right side of the Highway Sign.
5. For left exits, install the Exit Numbering Panel to the top left side of the Highway Sign.




BACK ELEVATION



SIDE ELEVATION

8/19/2019 7:33:45 AM

LAST REVISION 11/01/19	REVISION	DESCRIPTION:	 FY 2020-21 STANDARD PLANS	MOUNTING EXIT NUMBER PANELS TO SIGNS	INDEX 700-110	SHEET 1 of 1
------------------------------	----------	--------------	---	--------------------------------------	------------------	-----------------