

# ORIGINATION FORM

Proposed Revisions to a Standard Plans Index  
(Please provide all information – Incomplete forms will be returned)

## Contact Information:

Date: January 17, 2019  
Originator: Cheryl Hudson  
Phone: (850) 414-5332  
Email: cheryl.hudson@dot.state.fl.us

## Standard Plans:

Index Number: 521-600  
Sheet Number (s): 1 & 2  
Index Title: MSE Wall Coping (Precast or C-I-P)

## Summary of the changes:

Added bond breakers between wall and C-I-P copings

## Commentary / Background:

To prevent issues with shrinkage cracking between the two surfaces (mostly with block wall)

## Other Affected Offices / Documents: (Provide name of responsible personnel)

- | Yes                      | No                                  |                             |
|--------------------------|-------------------------------------|-----------------------------|
| <input type="checkbox"/> | <input checked="" type="checkbox"/> | Other Standard Plans –      |
| <input type="checkbox"/> | <input checked="" type="checkbox"/> | FDOT Design Manual –        |
| <input type="checkbox"/> | <input checked="" type="checkbox"/> | Basis of Estimates Manual – |
| <input type="checkbox"/> | <input checked="" type="checkbox"/> | Standard Specifications –   |
| <input type="checkbox"/> | <input checked="" type="checkbox"/> | Approved Product List –     |
| <input type="checkbox"/> | <input checked="" type="checkbox"/> | Construction –              |
| <input type="checkbox"/> | <input checked="" type="checkbox"/> | Maintenance –               |

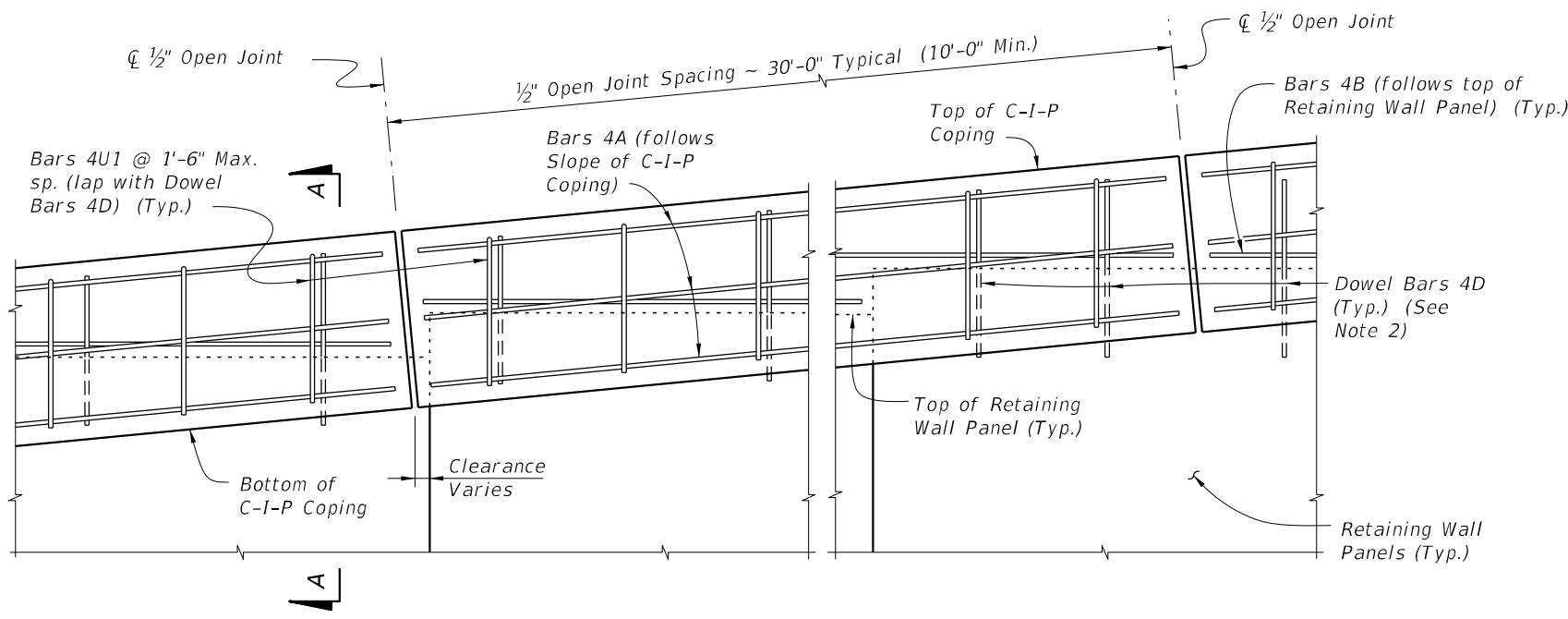
## Origination Package Includes: (Email or hand deliver package to Derwood Sheppard)

- | Yes                                 | N/A                                 |   |
|-------------------------------------|-------------------------------------|---|
| <input type="checkbox"/>            | <input checked="" type="checkbox"/> | Redline Mark-ups                          |
| <input type="checkbox"/>            | <input type="checkbox"/>            | Proposed Standard Plan Instructions (SPI) |
| <input checked="" type="checkbox"/> | <input type="checkbox"/>            | Revised SPI                               |
| <input type="checkbox"/>            | <input type="checkbox"/>            | Other Support Documents                   |

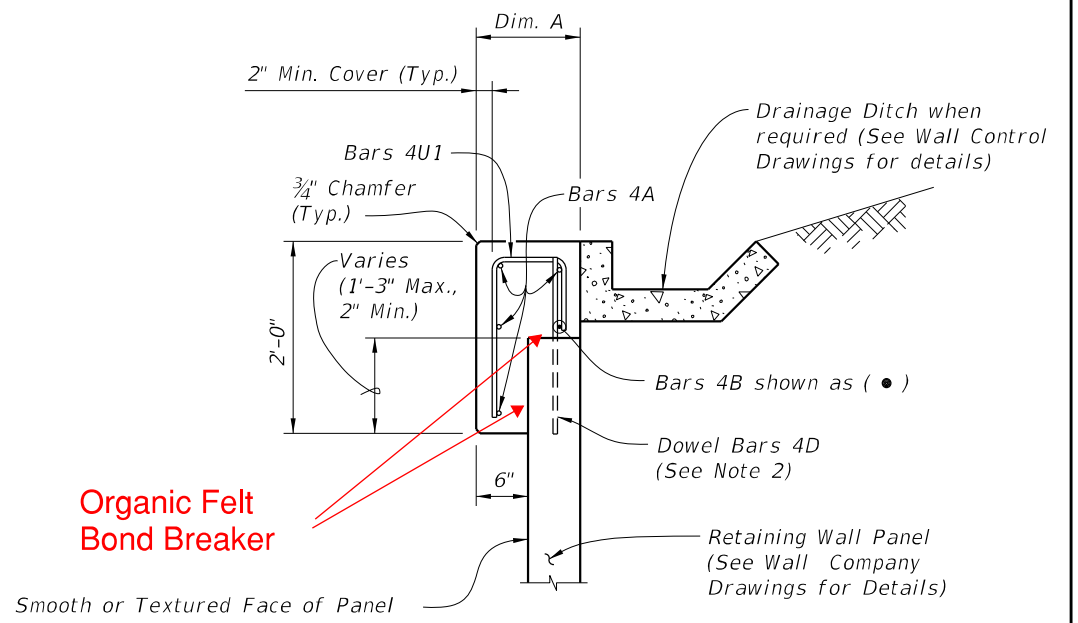
## Implementation:

- Design Bulletin (Interim)    DCE Memo    Program Mgmt. Bulletin    FY-Standard Plans (Next Release)

Contact the Roadway Design Office for assistance in completing this form



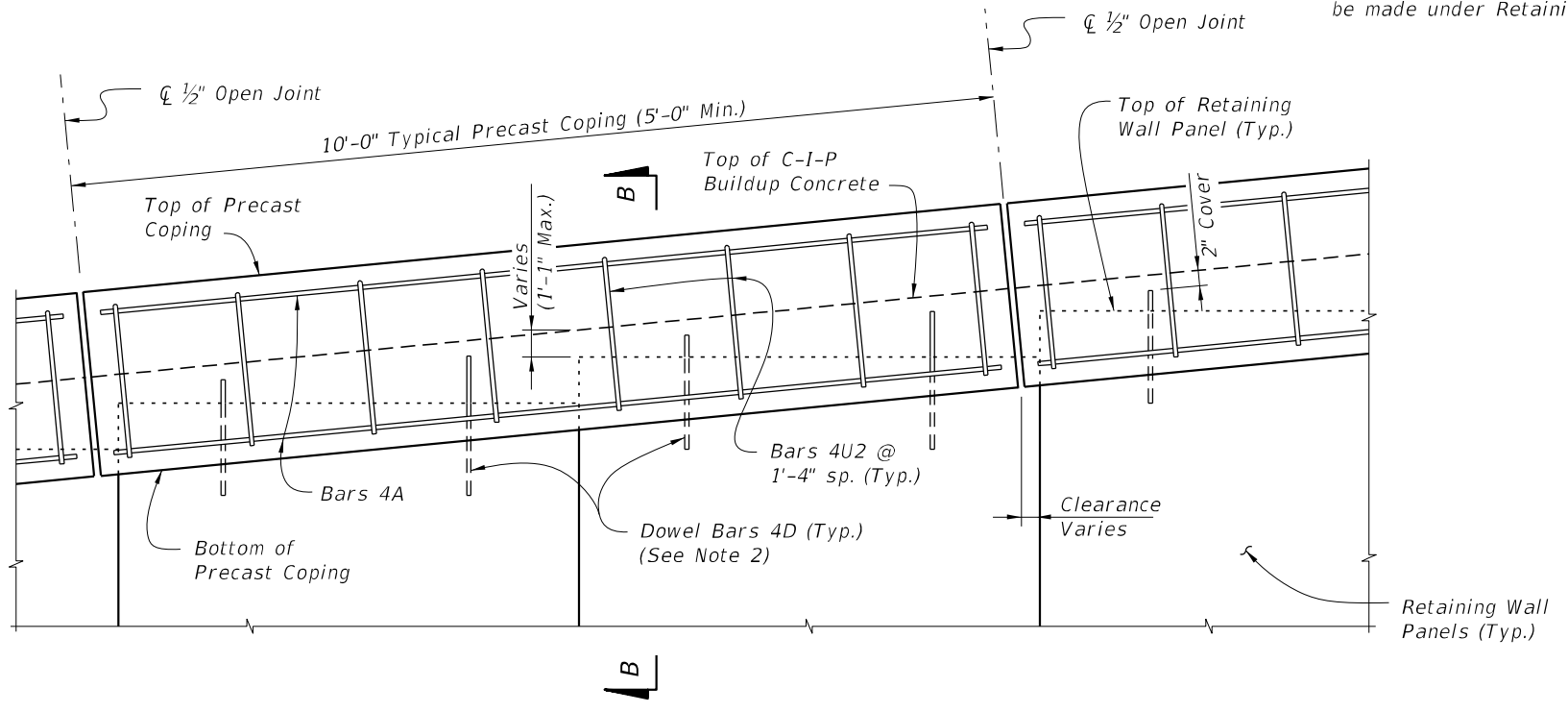
C-I-P COPING - PARTIAL ELEVATION VIEW



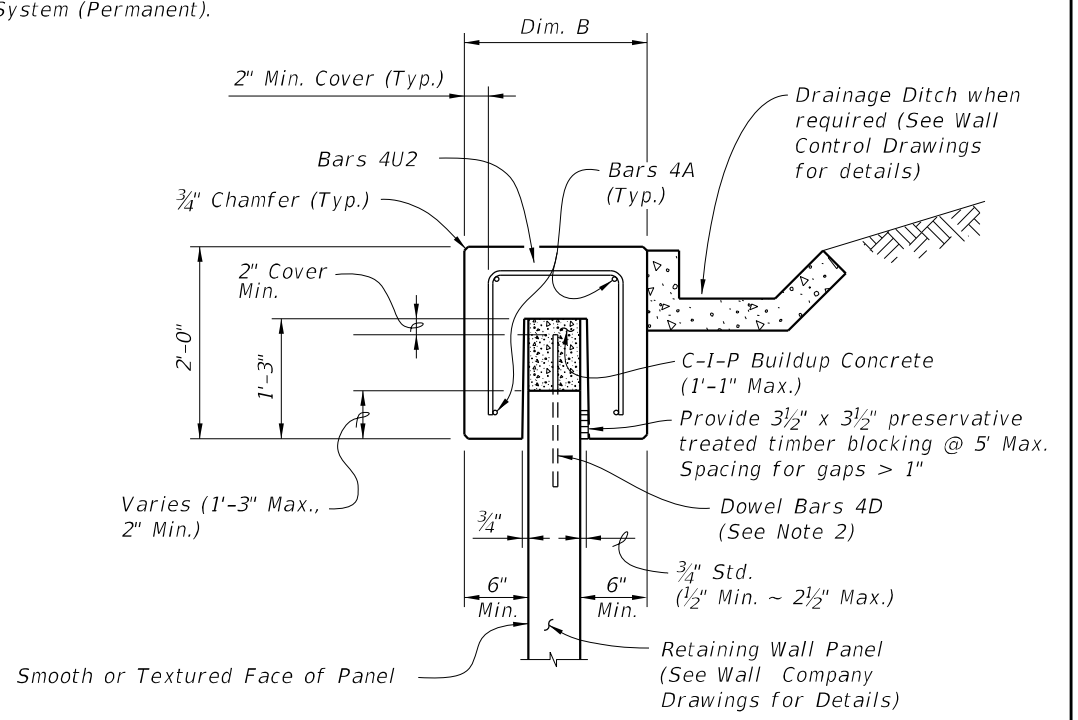
SECTION A-A C-I-P COPING

Dim. A	Panel width + 6"
Dim. B	Panel width + 1'-0" Min.

- PRECAST AND C-I-P COPING NOTES:
1. Provide Class II concrete for slightly aggressive environments or Class IV for moderately or extremely aggressive environments.
  2. Dowel Bars 4D extend 11" above the top of retaining wall panel. Field cut as necessary to maintain 2" minimum cover. See Wall Company Drawings for number and spacing of Dowel Bars 4D.
  3. Payment for Dowel Bars 4D, Buildup Concrete and Coping will be made under Retaining Wall System (Permanent).



PRECAST COPING - PARTIAL ELEVATION VIEW



SECTION B-B PRECAST COPING

10/24/2018 2:33:25 PM

LAST REVISION	DESCRIPTION:		FY 2019-20 STANDARD PLANS	MSE WALL COPING (PRECAST OR C-I-P)	INDEX 521-600	SHEET 1 of 2
<del>07/01/14</del>	← 11/01/19					

REINFORCING STEEL BENDING DIAGRAMS - PRECAST AND C-I-P COPINGS

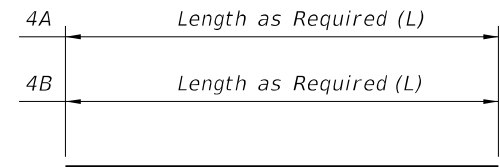
BILL OF REINFORCING STEEL

MARK	SIZE	LENGTH (L) ## S or M	LENGTH (L) ## E
A	4	AS REQD.	AS REQD.
B	4	AS REQD.	AS REQD.
D	4	2'-0"	2'-0"
U1	4	Panel width + 4"	Panel width + 4"
U2	4	Dim. B - 4"	Dim. B - 4"
U3	4	Dim. C - 4"	Dim. C - 6"

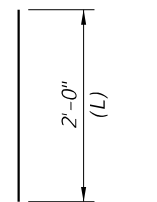
REINFORCING STEEL NOTES:

- All bar dimensions in the bending diagrams are out to out.
- All reinforcing steel at the open joints will have a 2" minimum cover.
- Bars 4A may be continuous or spliced at the construction joints. Lap splices for Bars 4A will be a minimum of 1'-8".
- The Contractor may use Welded Wire Reinforcement (WWR) when approved by the Engineer. WWR must consist of Deformed wire meeting the requirements of Specification Section 931.

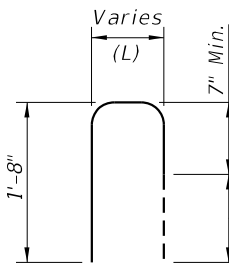
## S = Slightly Aggressive  
M = Moderately Aggressive  
E = Extremely Aggressive



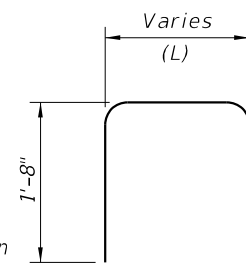
BARS 4A & 4B



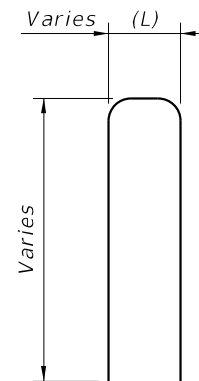
DOWEL BAR 4D



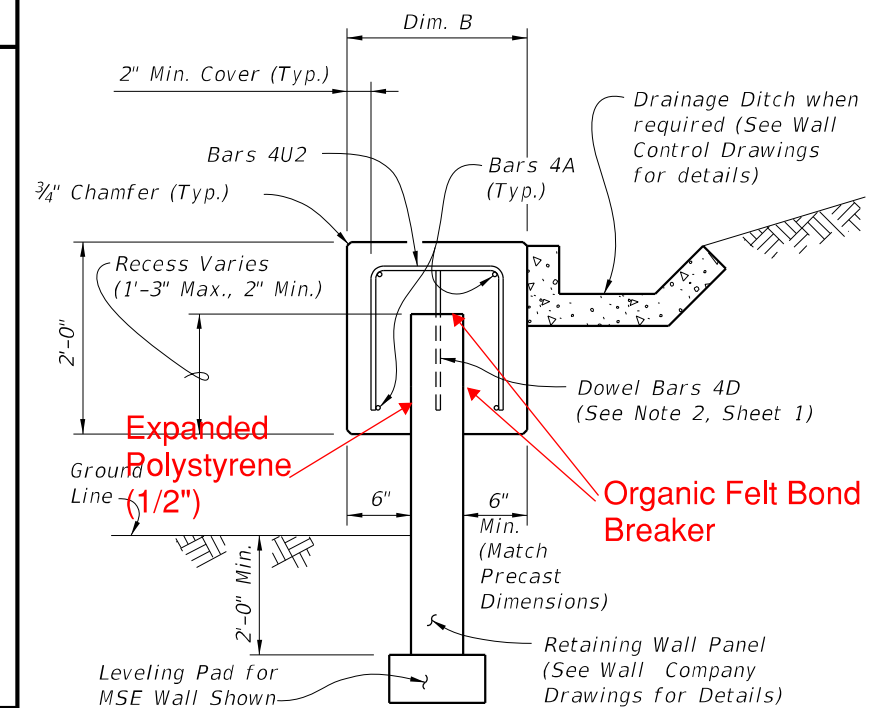
BAR 4U1



BAR 4U2

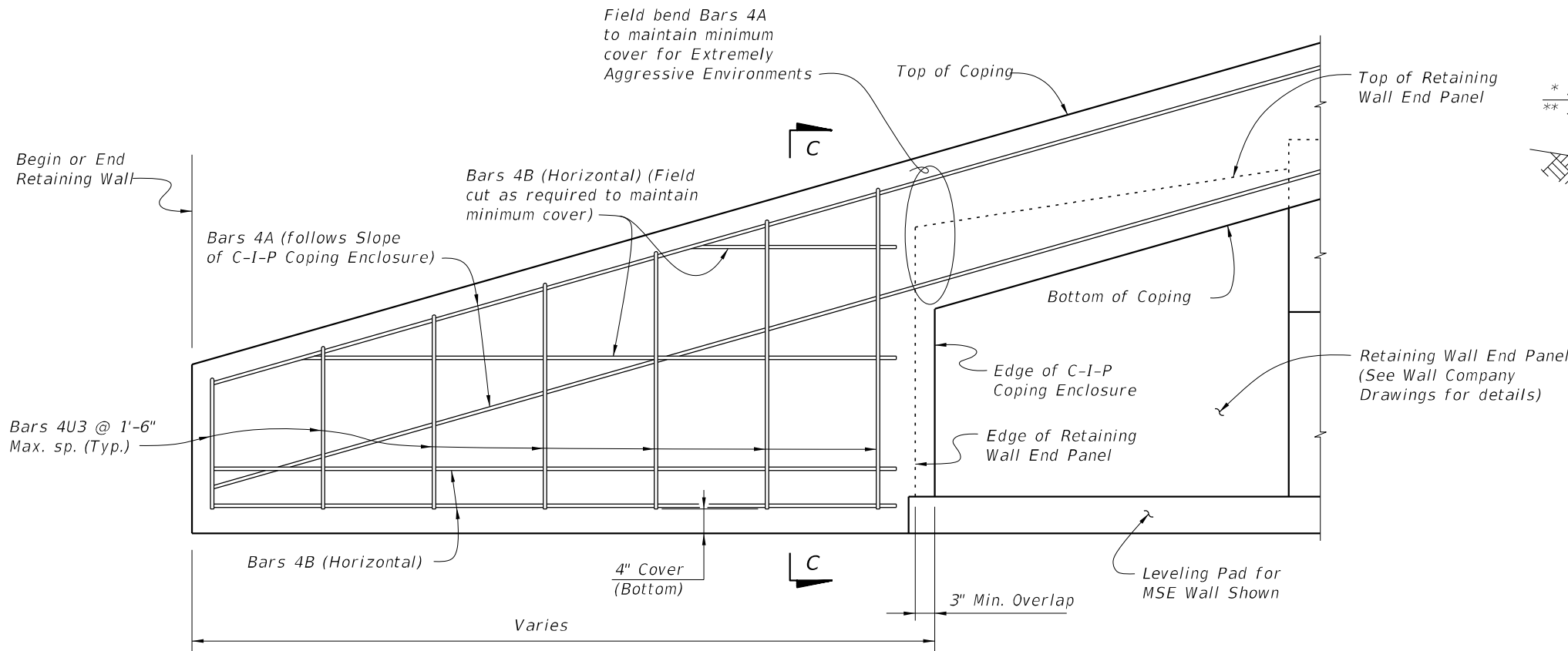


BAR 4U3

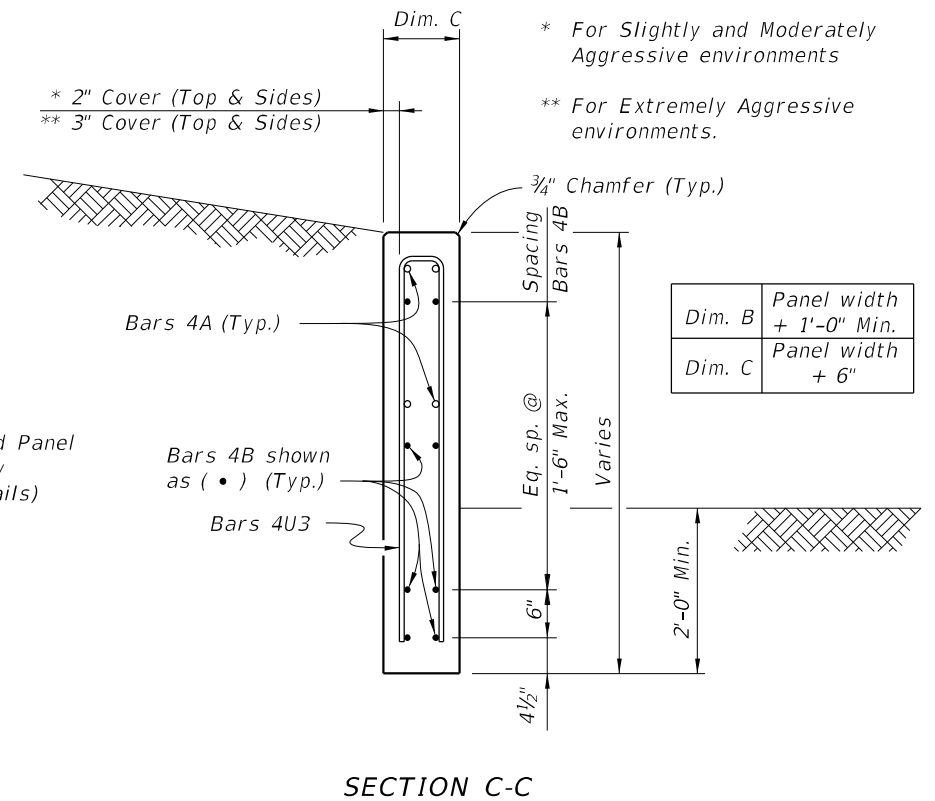


C-I-P COPING USED WITH PRECAST COPING

Note: When precast coping units do not fit the entire length of the retaining wall, use this similar C-I-P coping for short portions between precast coping units. This C-I-P coping may also be used for vertical copings.



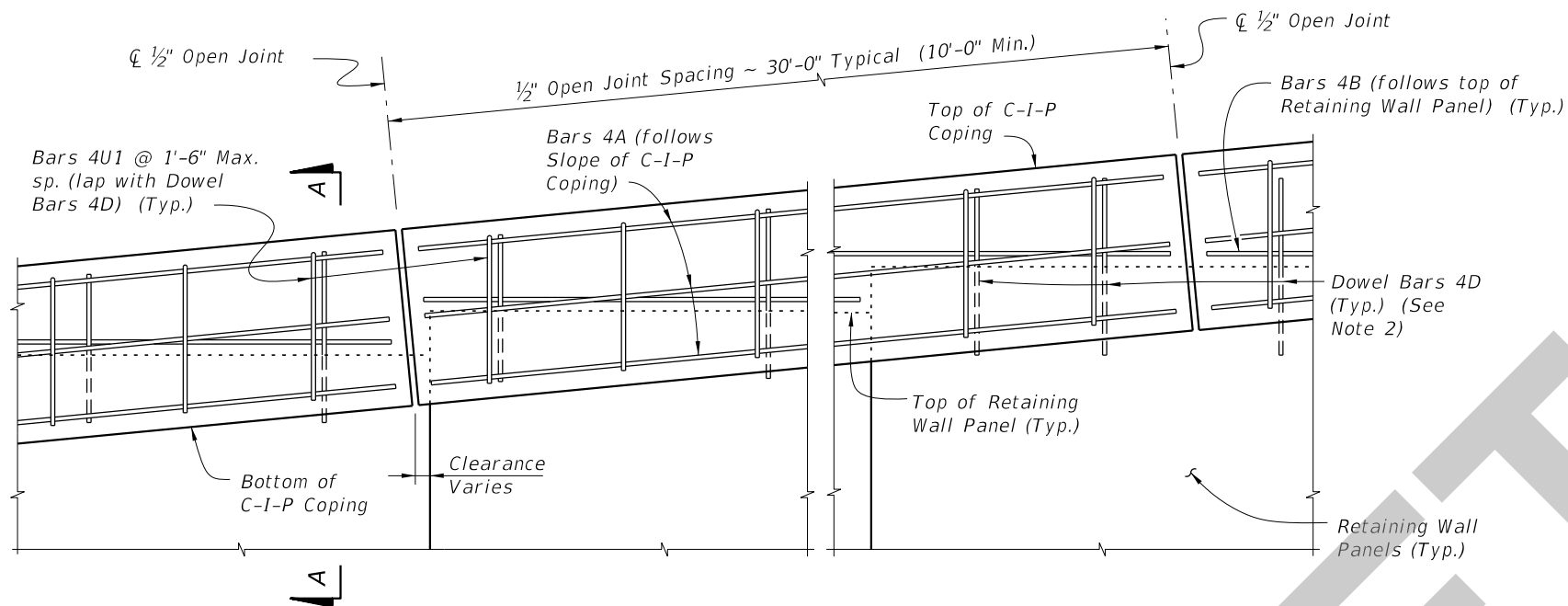
C-I-P COPING ENCLOSURE DETAIL



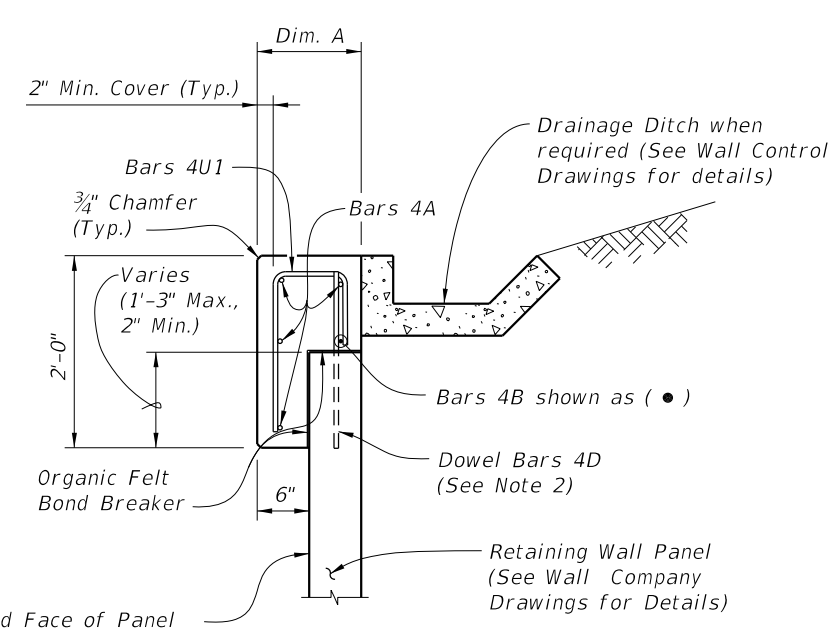
SECTION C-C

10/24/2018 2:33:25 PM

LAST REVISION	DESCRIPTION:
07/01/13	← 11/01/19



C-I-P COPING - PARTIAL ELEVATION VIEW

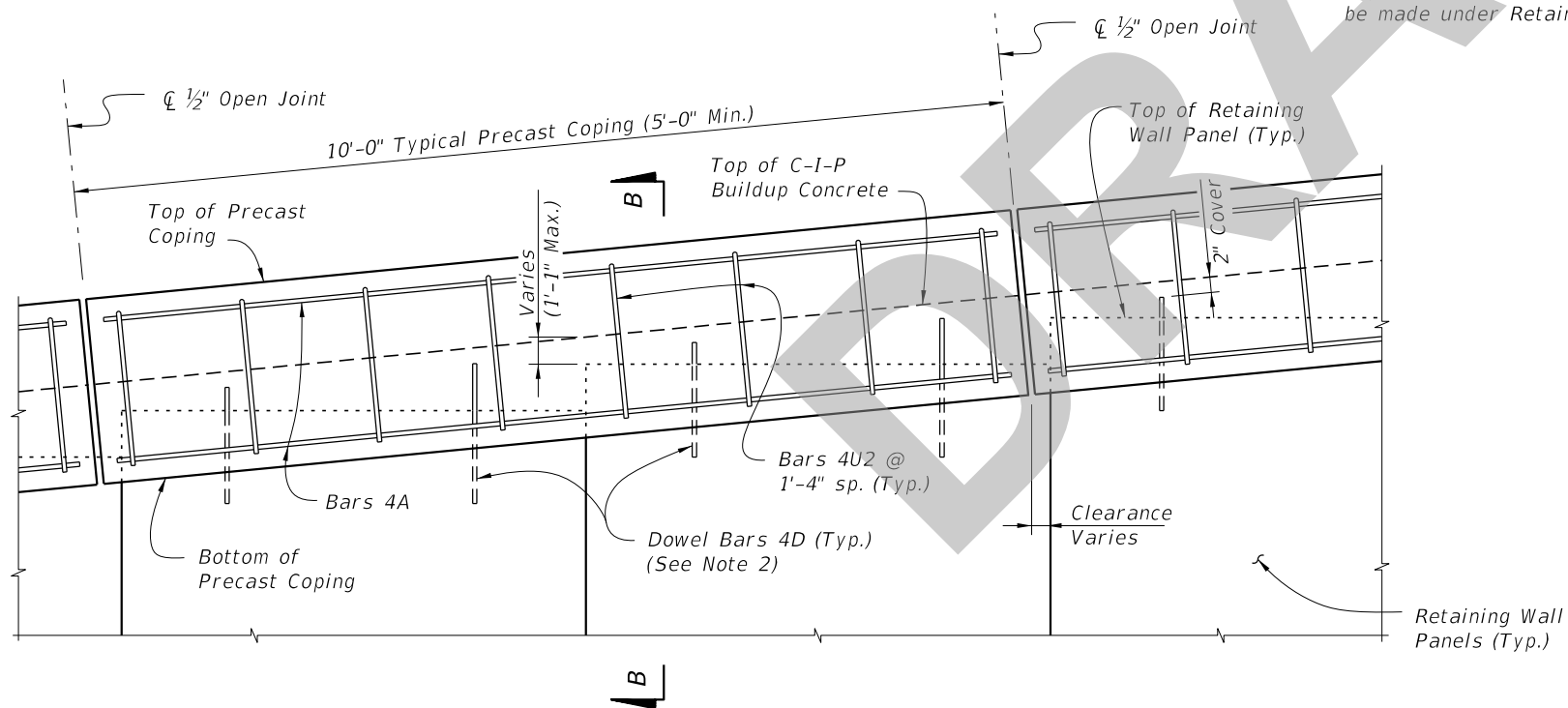


SECTION A-A  
C-I-P COPING

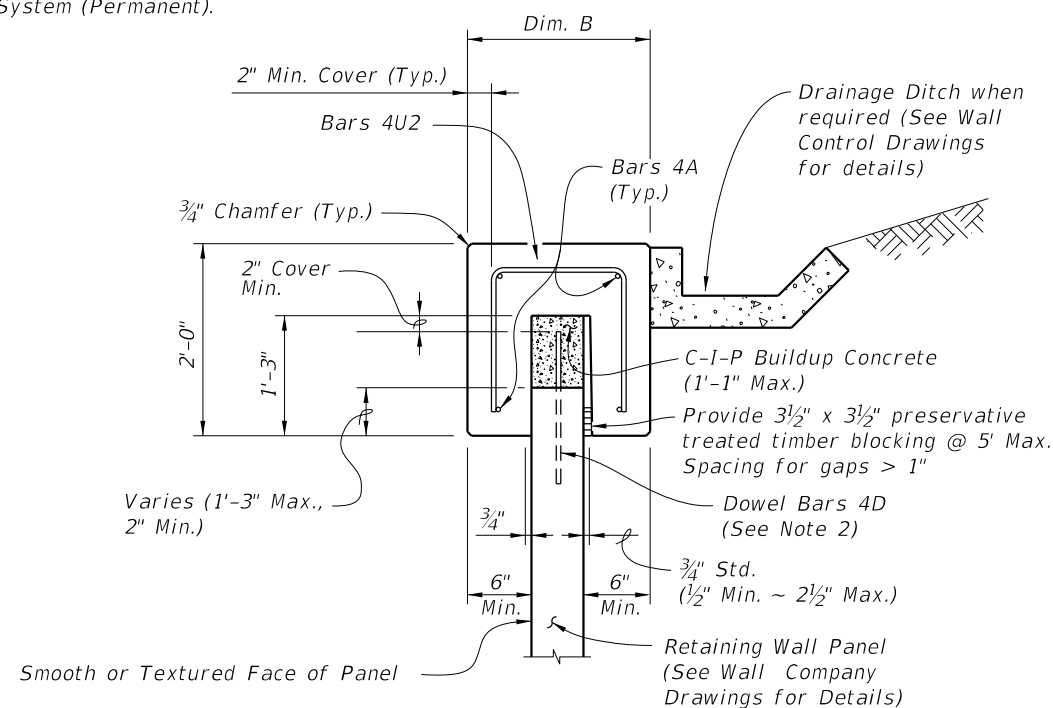
Dim. A	Panel width + 6"
Dim. B	Panel width + 1'-0" Min.

PRECAST AND C-I-P COPING NOTES:

1. Provide Class II concrete for slightly aggressive environments or Class IV for moderately or extremely aggressive environments.
2. Dowel Bars 4D extend 11" above the top of retaining wall panel. Field cut as necessary to maintain 2" minimum cover. See Wall Company Drawings for number and spacing of Dowel Bars 4D.
3. Payment for Dowel Bars 4D, Buildup Concrete and Coping will be made under Retaining Wall System (Permanent).



PRECAST COPING - PARTIAL ELEVATION VIEW



SECTION B-B  
PRECAST COPING

SDATES STIMES

LAST REVISION 11/01/19	DESCRIPTION:
---------------------------	--------------



FY 2020-21  
STANDARD PLANS

MSE WALL COPING (PRECAST OR C-I-P)

INDEX  
521-600

SHEET  
1 of 2

**REINFORCING STEEL BENDING DIAGRAMS - PRECAST AND C-I-P COPINGS**

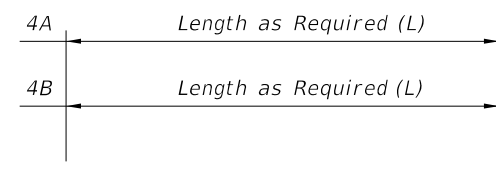
**BILL OF REINFORCING STEEL**

MARK	SIZE	LENGTH (L) ## S or M	LENGTH (L) ## E
A	4	AS REQD.	AS REQD.
B	4	AS REQD.	AS REQD.
D	4	2'-0"	2'-0"
U1	4	Panel width + 4"	Panel width + 4"
U2	4	Dim. B - 4"	Dim. B - 4"
U3	4	Dim. C - 4"	Dim. C - 6"

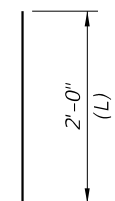
**REINFORCING STEEL NOTES:**

- All bar dimensions in the bending diagrams are out to out.
- All reinforcing steel at the open joints will have a 2" minimum cover.
- Bars 4A may be continuous or spliced at the construction joints. Lap splices for Bars 4A will be a minimum of 1'-8".
- The Contractor may use Welded Wire Reinforcement (WWR) when approved by the Engineer. WWR must consist of Deformed wire meeting the requirements of Specification Section 931.

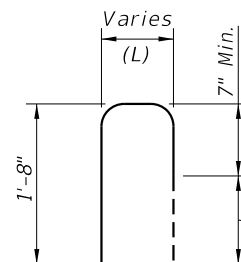
## S = Slightly Aggressive  
 M = Moderately Aggressive  
 E = Extremely Aggressive



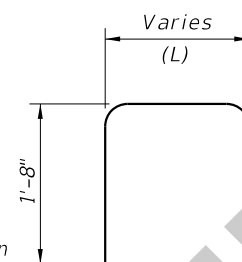
**BARS 4A & 4B**



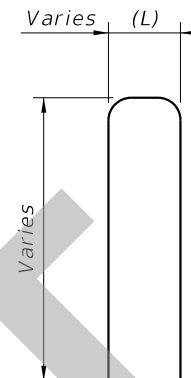
**DOWEL BAR 4D**



**BAR 4U1**

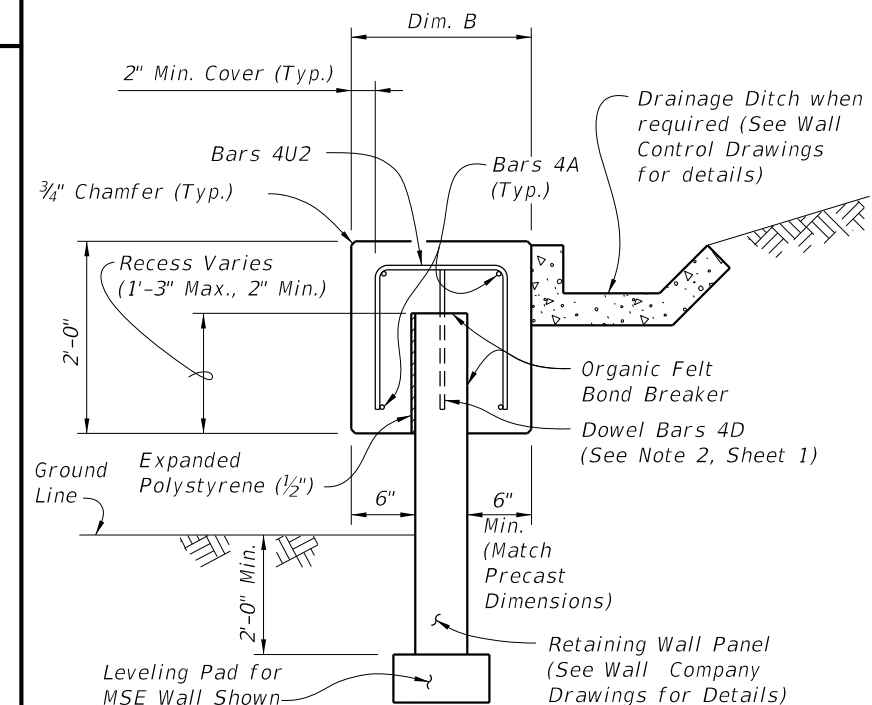


**BAR 4U2**



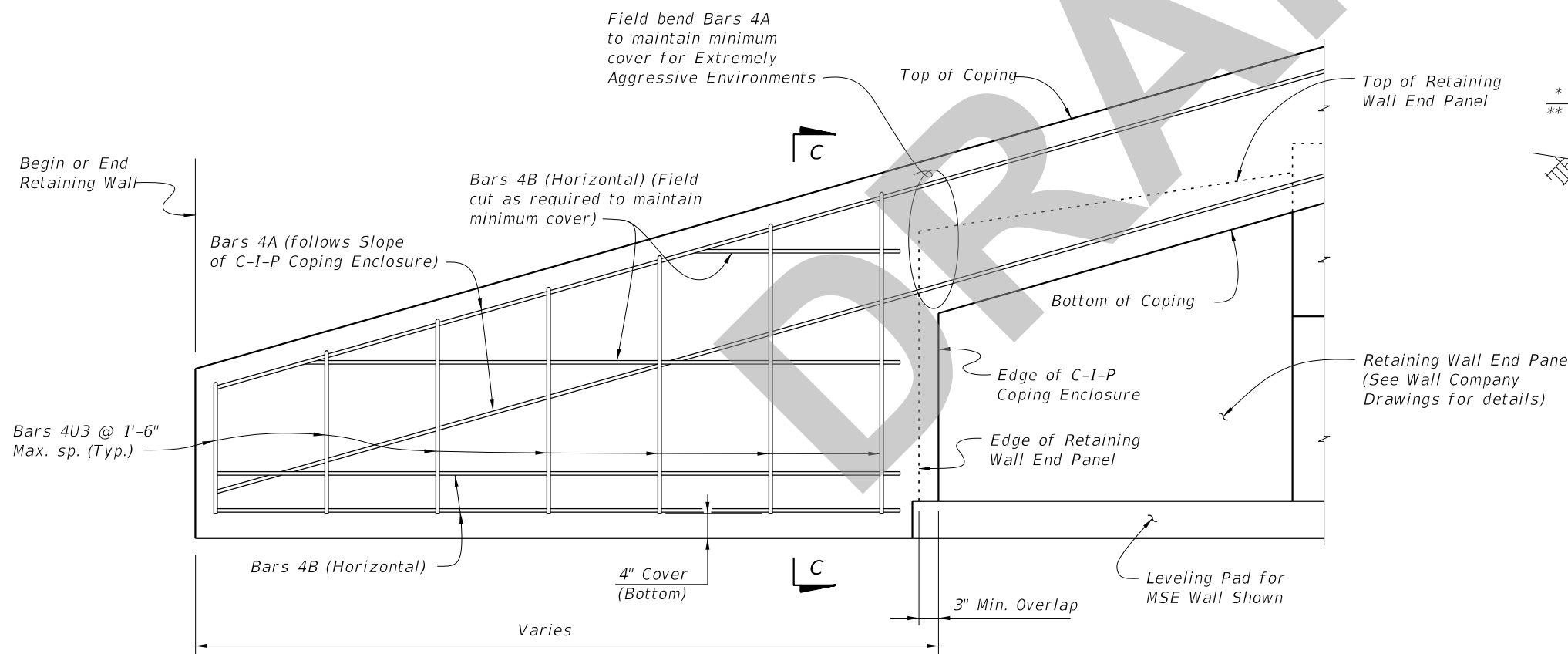
**BAR 4U3**

Field cut as required to maintain 2" minimum cover

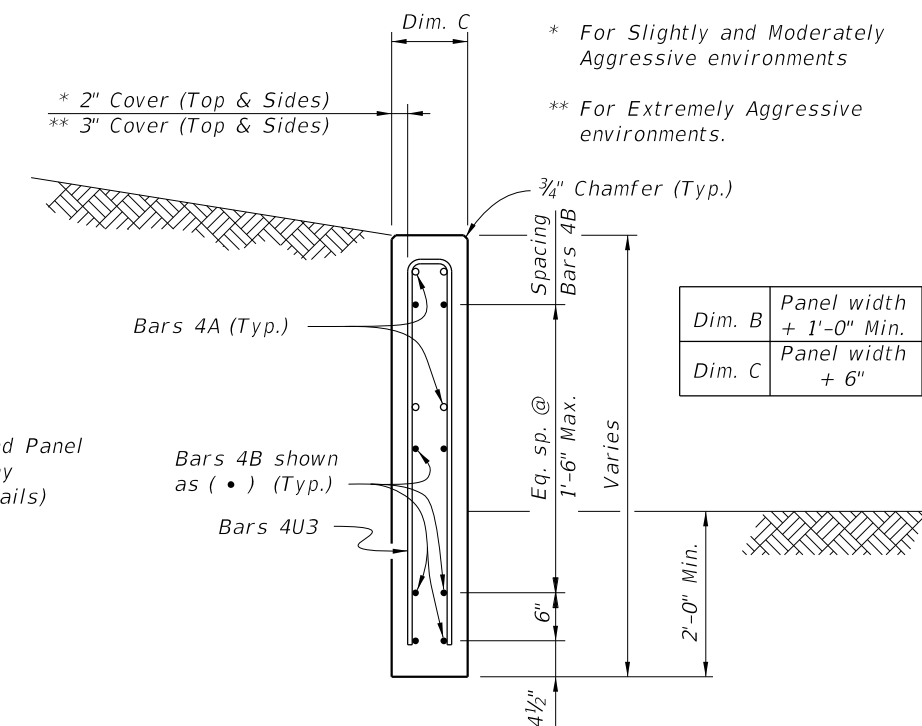


**C-I-P COPING USED WITH PRECAST COPING**

Note: When precast coping units do not fit the entire length of the retaining wall, use this similar C-I-P coping for short portions between precast coping units. This C-I-P coping may also be used for vertical copings.



**C-I-P COPING ENCLOSURE DETAIL**



**SECTION C-C**

SDATES

LAST REVISION 11/01/19	DESCRIPTION:
---------------------------	--------------



**FY 2020-21  
STANDARD PLANS**

**MSE WALL COPING (PRECAST OR C-I-P)**

INDEX  
**521-600**

SHEET  
**2 of 2**