

Index 521-001 Concrete Barrier

ORIGINATION

Date: July 31, 2019

Name: Richard Stepp

Phone: 850-414-4313

Email: richard.stepp@dot.state.fl.us

COMMENTARY

Sheets 15 & 16: Change "Shoulder Barrier Inlet" to "Adjacent Barrier Inlet" callout

COMMENTS AND RESPONSES

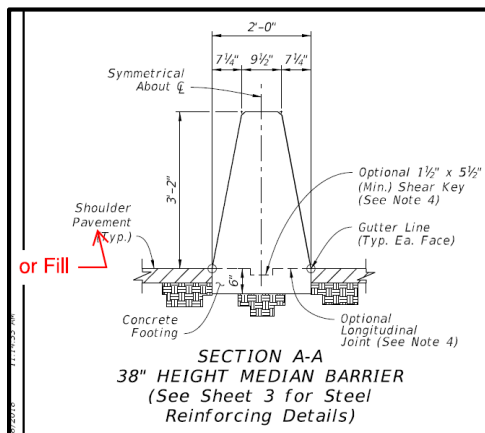
BLACK = Industry Review Comments **RED** = Standard Plans Response

Name: Turnpike

Date: August 8, 2019

COMMENT:

- (1) Regarding the inclusion of the note "...or Fill" (as shown below) in the median barrier wall section, does this mean asphalt is no longer needed on both sides of the median barrier wall for overturning? Was this change to allow the use of median barrier wall at toll sites with the 6" stem? Asphalt is not required.
- (2) Our understanding is that the "...or Fill" notation was added to include the condition when barrier wall is utilized outside of paved limits, but this should be clarified with a note to clearly specify when fill can be utilized.
- (3) If fill is allowed, shouldn't it be specified that sod is required to avoid any issues with erosion?



RESPONSE:

Date: August 27, 2019

Agreed. Proposed fill callout will be removed.

The fill option was proposed to provide flexibility to cover median conditions encountered on several recent projects. That said, this fill option will not be added to the Standards until additional explanation for grading requirements can be provided along with it.