

---

## Index 455-030 30” Square Prestressed Concrete Pile

### ORIGINATION

**Date:** June 19 13, 2019

**Name:** Cheryl Hudson

**Phone:** (850) 414-5332

**Email:** Cheryl.hudson@dot.state.fl.us

### COMMENTARY

Added void length dimension for EDC.

### COMMENTS AND RESPONSES

**BLACK** = Industry Review Comments    **RED** = Standard Plans Response

**Name:** Rafiq Darji, P.E.

**Date:** September 25, 2019

#### **COMMENT:**

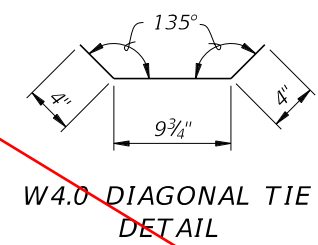
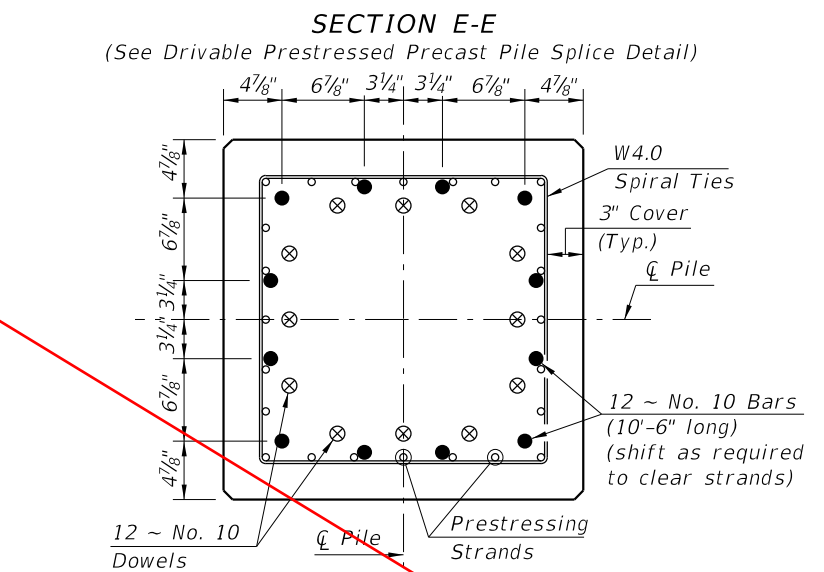
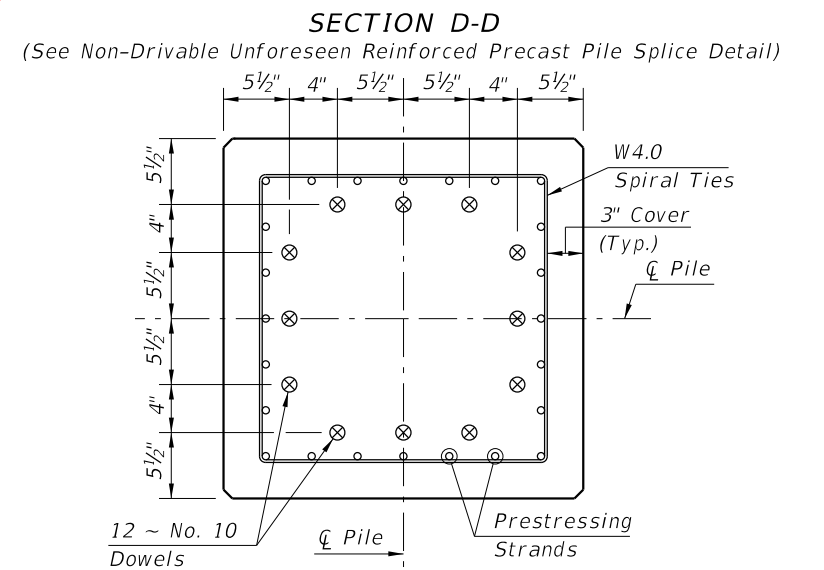
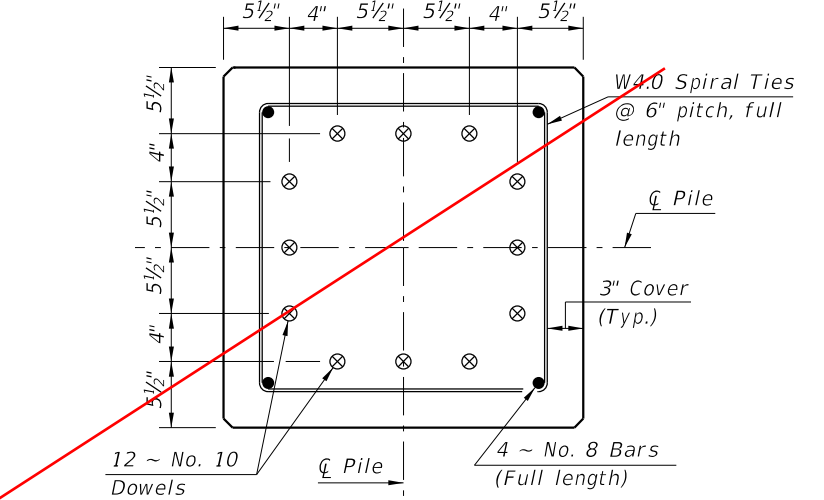
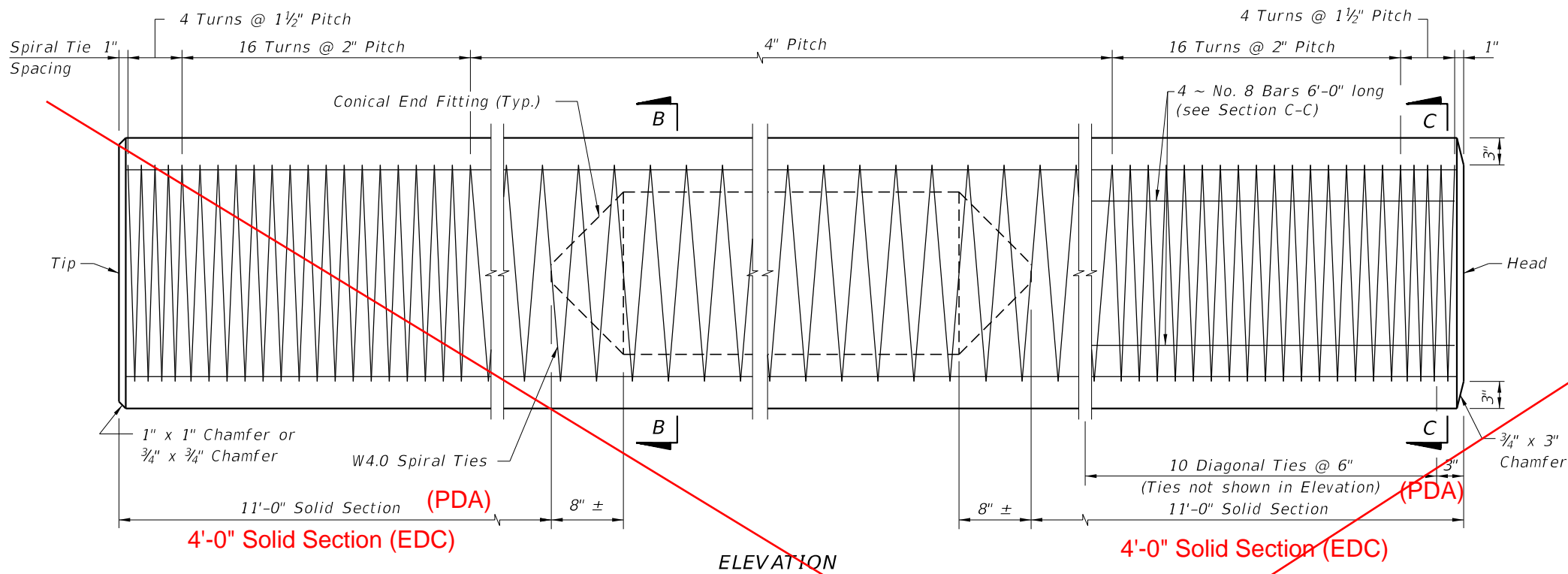
This is a follow up to our yesterday’s meeting that discussed FDOT’s proposed changes to the FY2020 structures standard Index Sheets.

- Please revise and modify as necessary to address constructability issues (PDA and EDC options) for 30” piles as discussed.

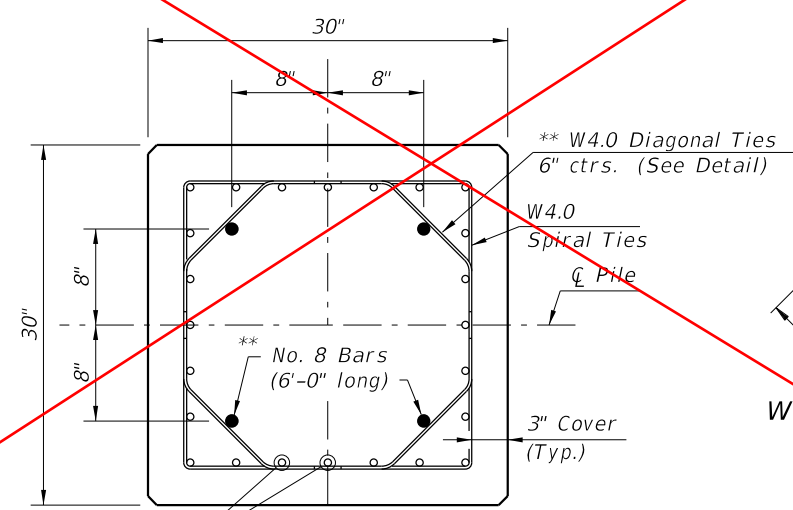
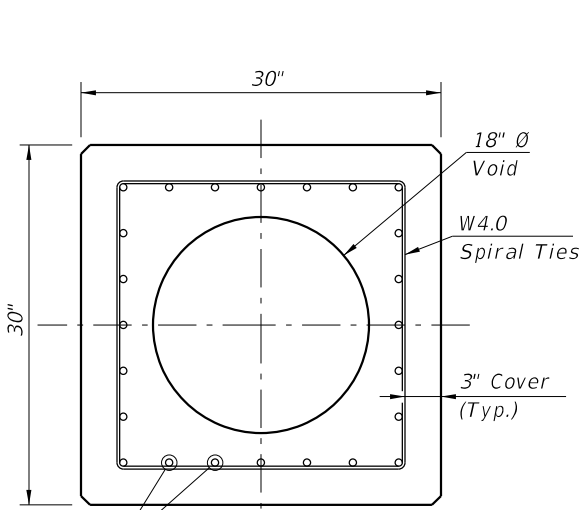
#### **RESPONSE:**

**Date:** September 25, 2019

The 30” pile changes will not be made.



\*\* Omit 4 ~ No. 8 Bars and Diagonal Ties in pre-planned mechanical splice.



- NOTES:
- Any of the given Alternate Strand Patterns may be utilized. The strands shall be located as follows: Place one strand at each corner and place the remaining strands equally spaced between the corner strands. The total strand pattern shall be concentric with the nominal concrete section of the pile.
  - CONTRACTOR OPTION: The 30" pile may be cast SOLID by omitting the 18" Ø void. In this event, the Contractor shall submit calculations for approval and a proposed strand configuration that provide net prestressing after losses equal to 1000 psi. Alternate configurations for the Diagonal Ties, to maintain the position of the 4 ~ #8 Bars, may be approved by the Engineer.
  - Work this Index with Index 455-001 - Typical Details and Notes for Square Prestressed Concrete Piles and Index 455-002 - Square Prestressed Concrete Pile Splices.

**ALTERNATE STRAND PATTERNS**

- 20 ~ 0.6" Ø, Grade 270 LRS, at 41 kips
- 24 ~ 1/2" Ø (Special), Grade 270 LRS, at 34 kips
- 28 ~ 1/2" Ø, Grade 270 LRS, at 29 kips

**NO CHANGE MADE**

11:40:42 AM

LAST REVISION	DESCRIPTION:
07/01/15	11/01/19



FY 2019-20  
STANDARD PLANS

30" SQUARE PRESTRESSED CONCRETE PILE

INDEX  
455-030

SHEET  
1 of 1